



US00D782465S

(12) **United States Design Patent**
Chen et al.

(10) **Patent No.:** **US D782,465 S**
(45) **Date of Patent:** **** Mar. 28, 2017**

(54) **ROBOT CHASSIS**

(71) Applicants: **HONG FU JIN PRECISION INDUSTRY (WuHan) CO., LTD.**, Wuhan (CN); **HON HAI PRECISION INDUSTRY CO., LTD.**, New Taipei (TW)

(72) Inventors: **Tsung-Han Chen**, New Taipei (TW); **Shou-Han Chung**, New Taipei (TW); **Chao-Chi Chang**, New Taipei (TW)

(73) Assignees: **HONG FU JIN PRECISION INDUSTRY (WuHan) CO., LTD.**, Wuhan (CN); **HON HAI PRECISION INDUSTRY CO., LTD.**, New Taipei (TW)

(**) Term: **15 Years**

(21) Appl. No.: **29/557,864**

(22) Filed: **Mar. 14, 2016**

(30) **Foreign Application Priority Data**

Jan. 20, 2016 (TW) 105300286

(51) **LOC (10) Cl.** **14-02**

(52) **U.S. Cl.**
USPC **D14/307**

(58) **Field of Classification Search**
USPC D14/167, 154, 168, 188, 496, 156, 160, D14/161, 162, 163, 164, 165, 158, 253, D14/192, 159, 155, 138 AB, 137, 104.1, D14/307; 455/351, 350, 353; D10/104, D10/106, 65, 78; 340/573.4, 573.1
CPC G08B 13/1672; G08B 13/19645; G08B 25/006; H04M 11/04

See application file for complete search history.

(56) **References Cited**

U.S. PATENT DOCUMENTS

5,220,740	A *	6/1993	Brault	F16M 11/42 248/910
D446,208	S *	8/2001	Zachl	D14/302
D448,522	S *	9/2001	Minami	D28/9
D573,986	S *	7/2008	Sasaki	D14/307
D602,932	S *	10/2009	Sasaki	D14/307
D628,742	S *	12/2010	Hsu	D14/307
D657,470	S *	4/2012	Schon	D24/186
D671,595	S *	11/2012	O'Hara	D14/307
D752,032	S *	3/2016	Taylor	D14/307
D764,577	S *	8/2016	Cho	D18/53
2003/0142468	A1 *	7/2003	Chin	A47B 9/14 361/679.02
2004/0186357	A1 *	9/2004	Soderberg	A61B 5/00 600/300

* cited by examiner

Primary Examiner — Austin Murphy

(74) *Attorney, Agent, or Firm* — Zhigang Ma

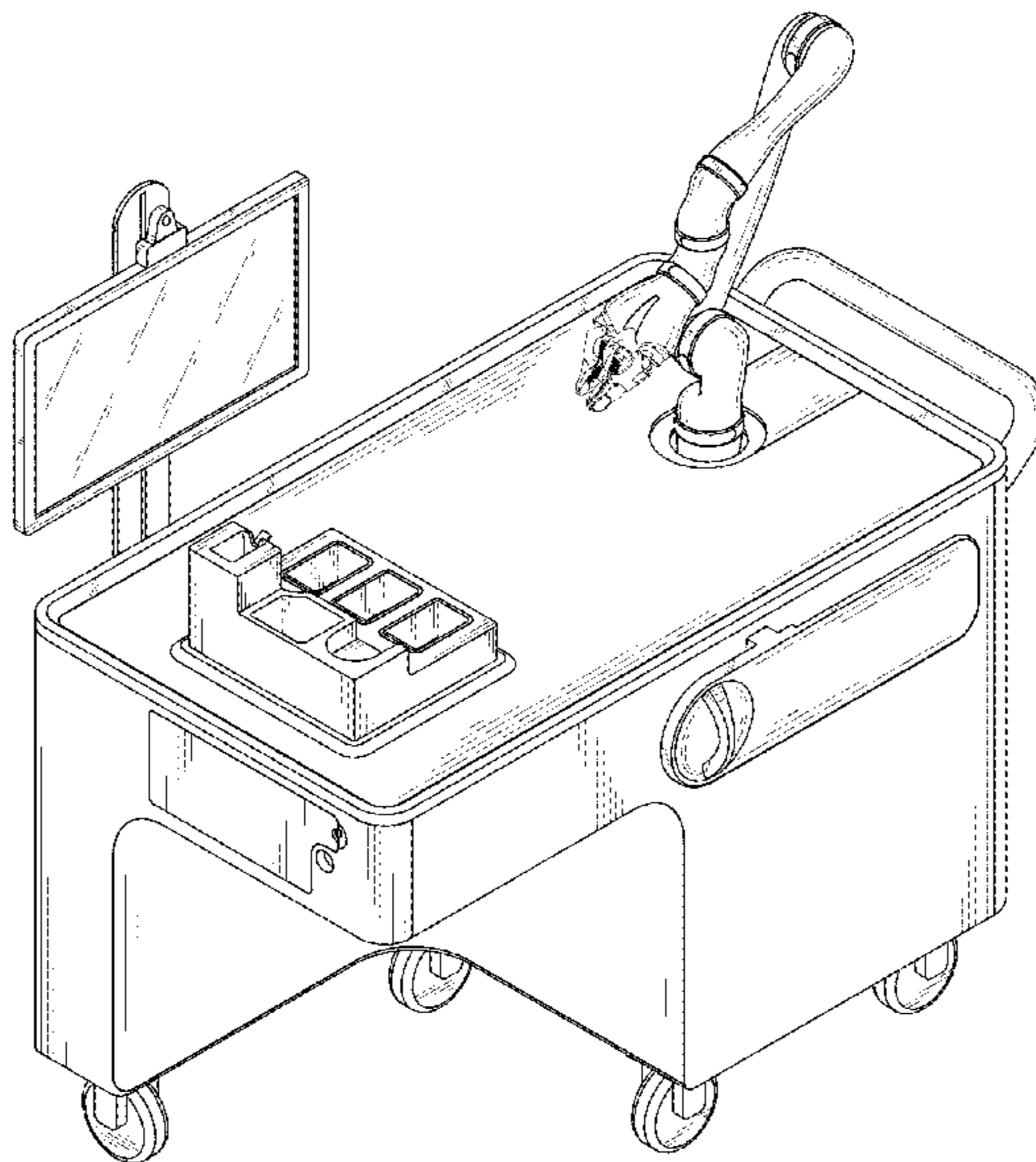
(57) **CLAIM**

The ornamental design for a robot chassis, as shown and as described.

DESCRIPTION

FIG. 1 is a perspective view of a robot chassis showing our new design;
FIG. 2 is a front elevational view thereof;
FIG. 3 is a rear elevational view thereof;
FIG. 4 is a left side elevational view thereof;
FIG. 5 is a right side elevational view thereof;
FIG. 6 is a top plan view thereof; and,
FIG. 7 is a bottom plan view thereof.

1 Claim, 7 Drawing Sheets



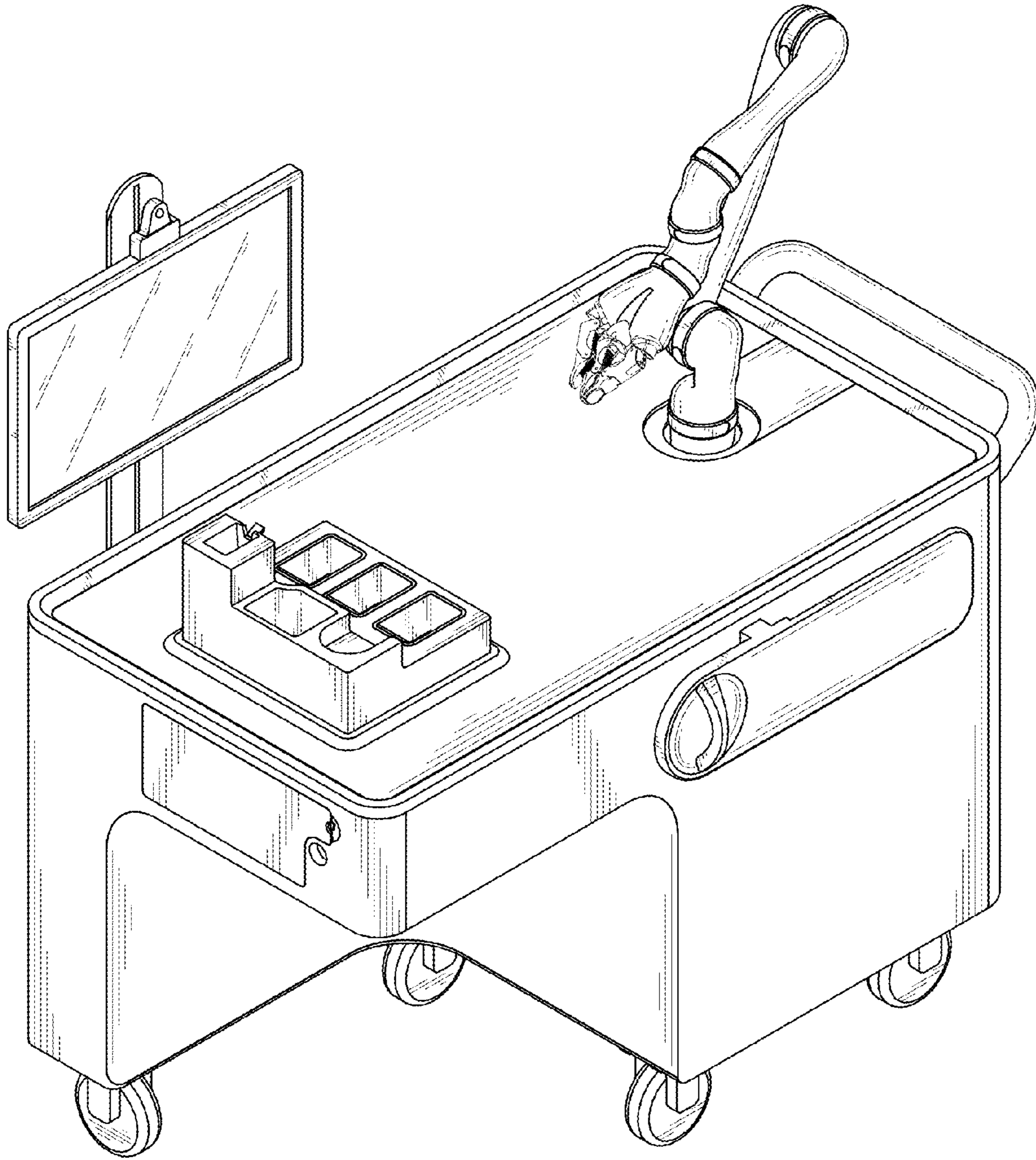


FIG. 1

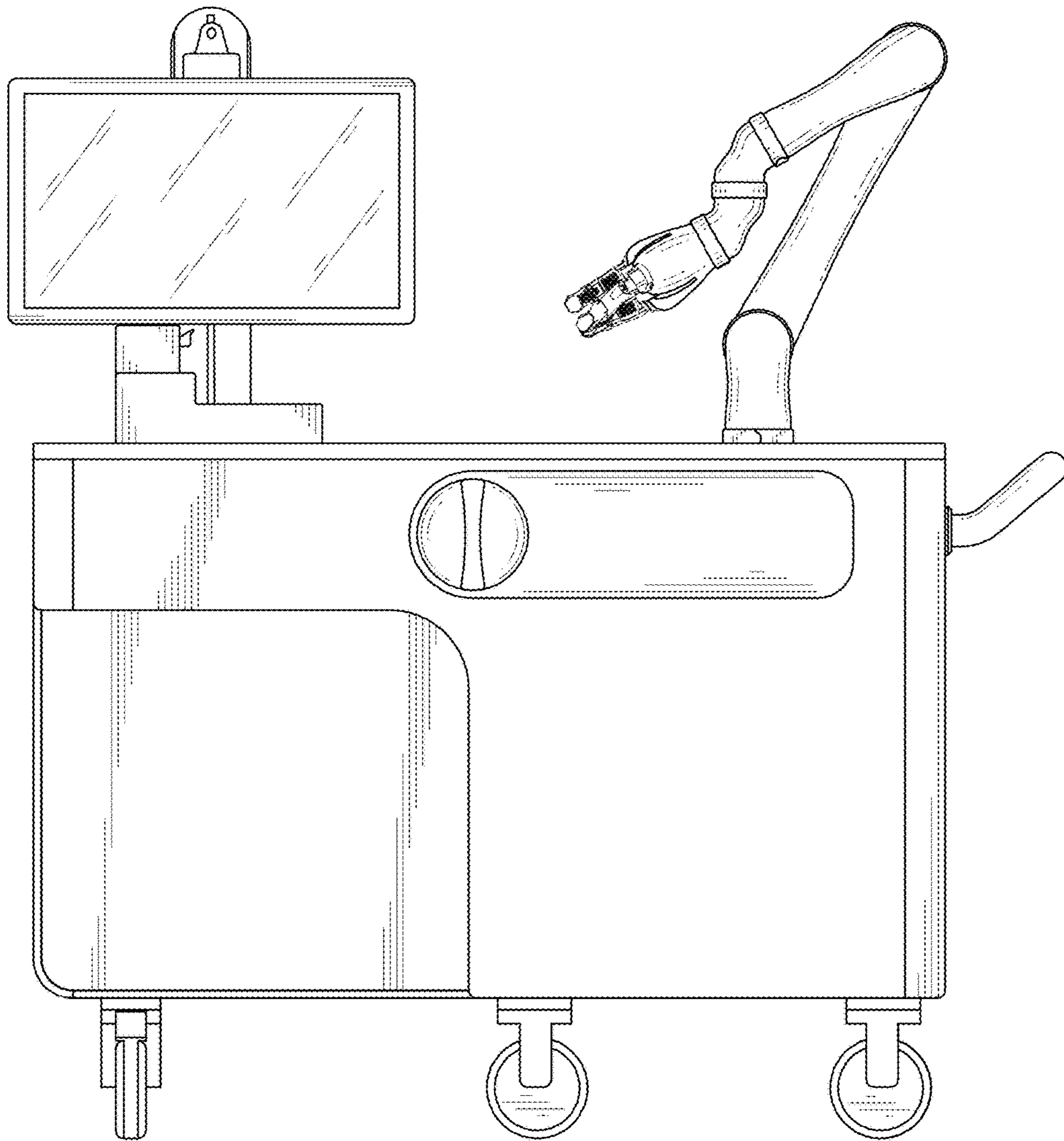


FIG. 2

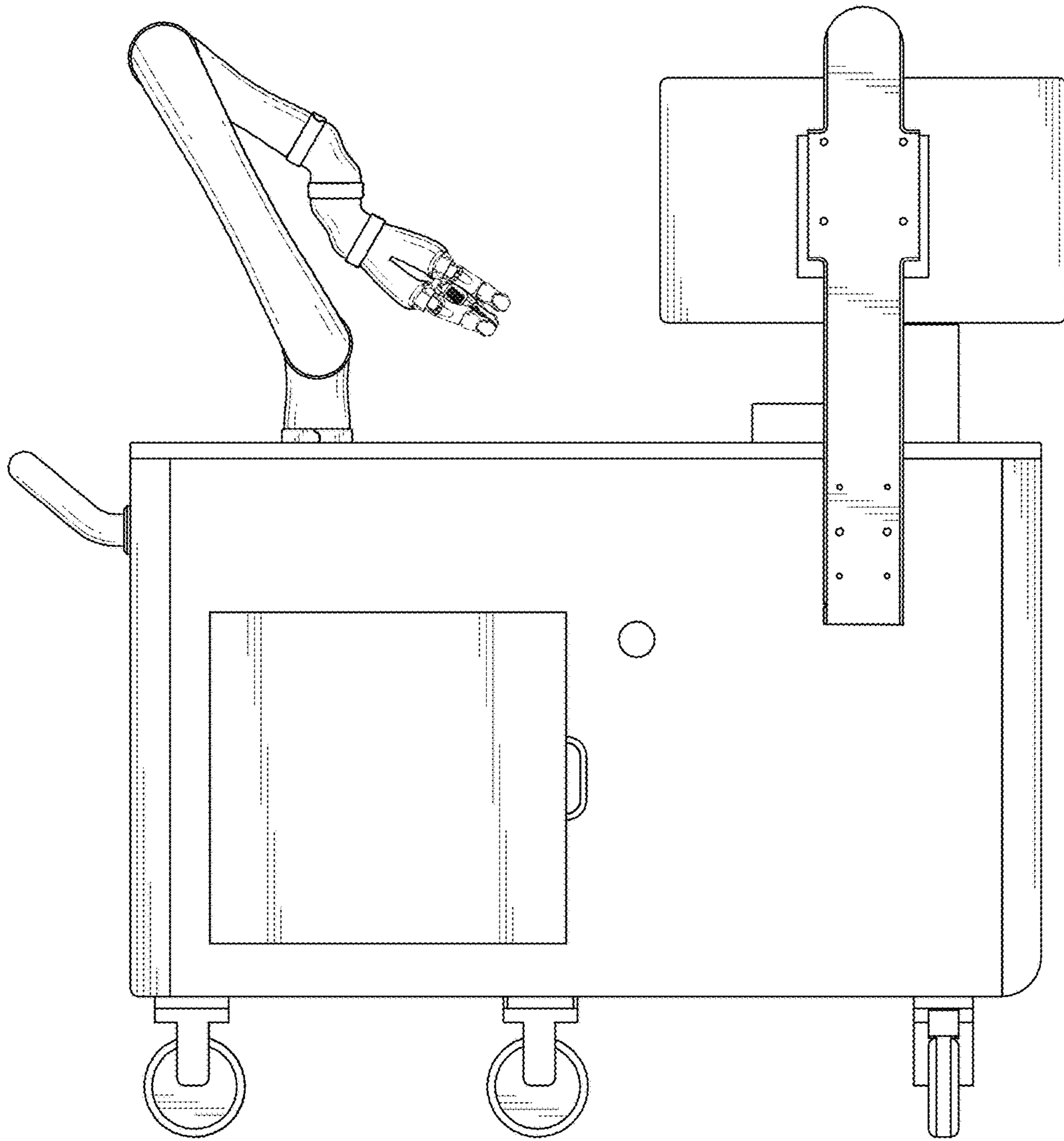


FIG. 3

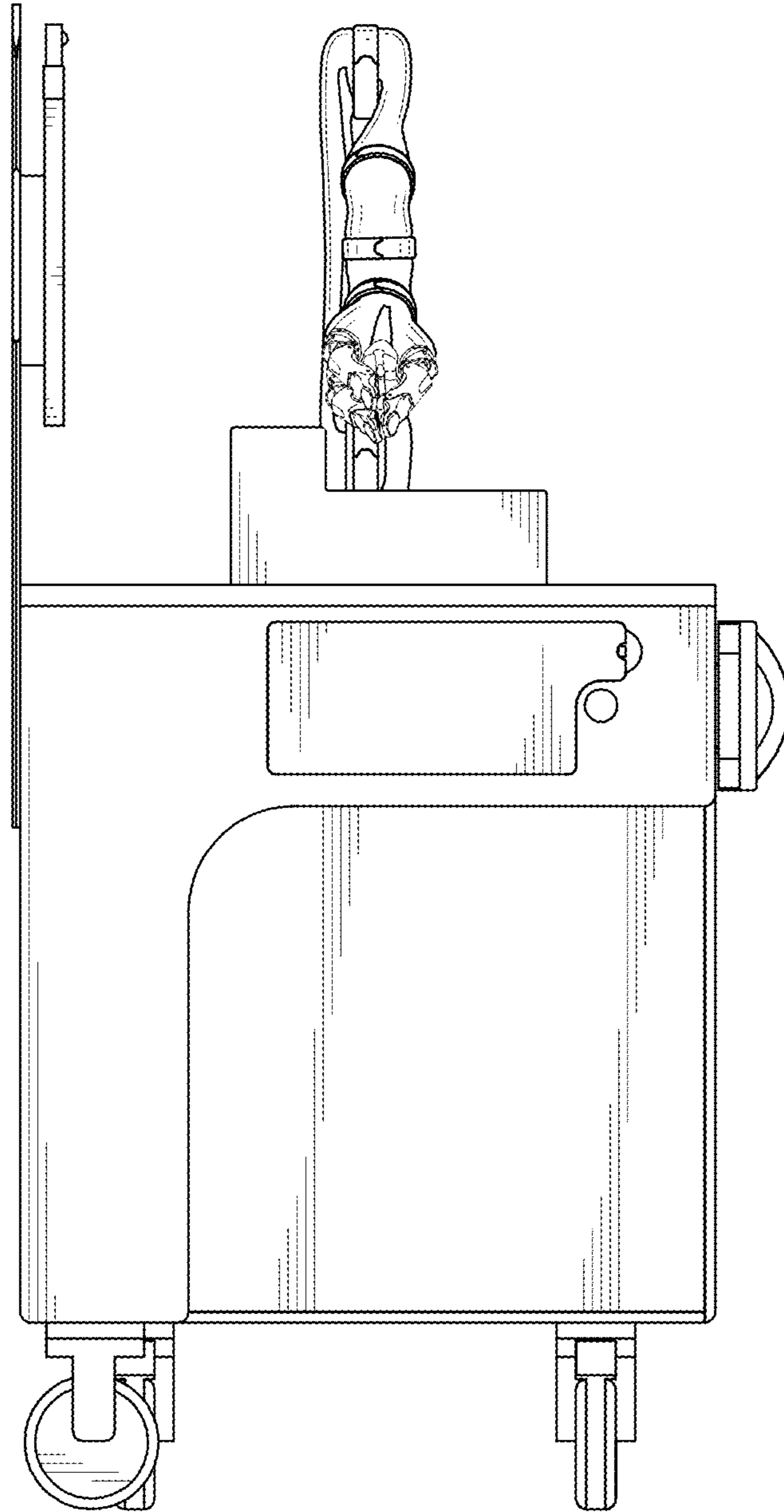


FIG. 4

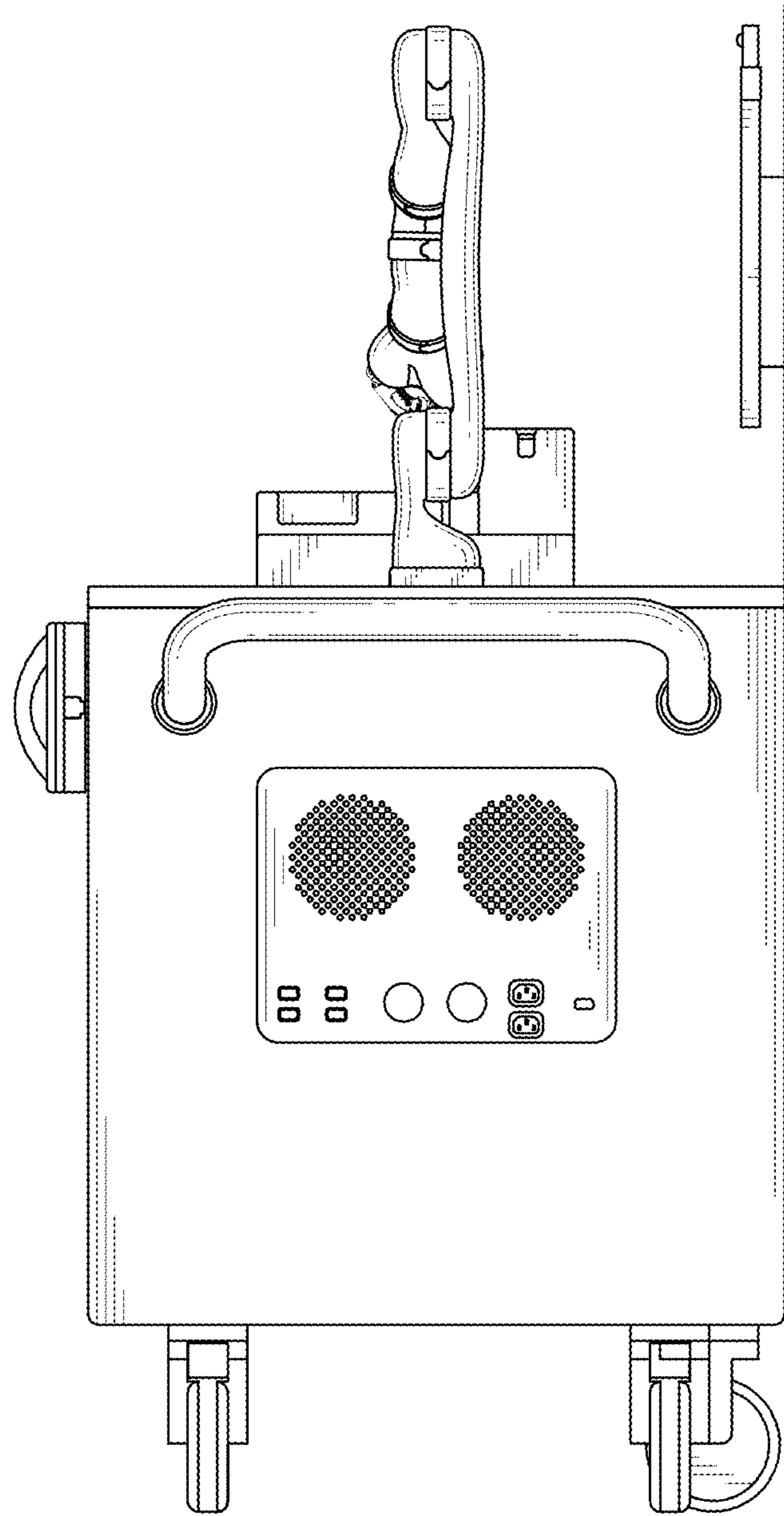


FIG. 5

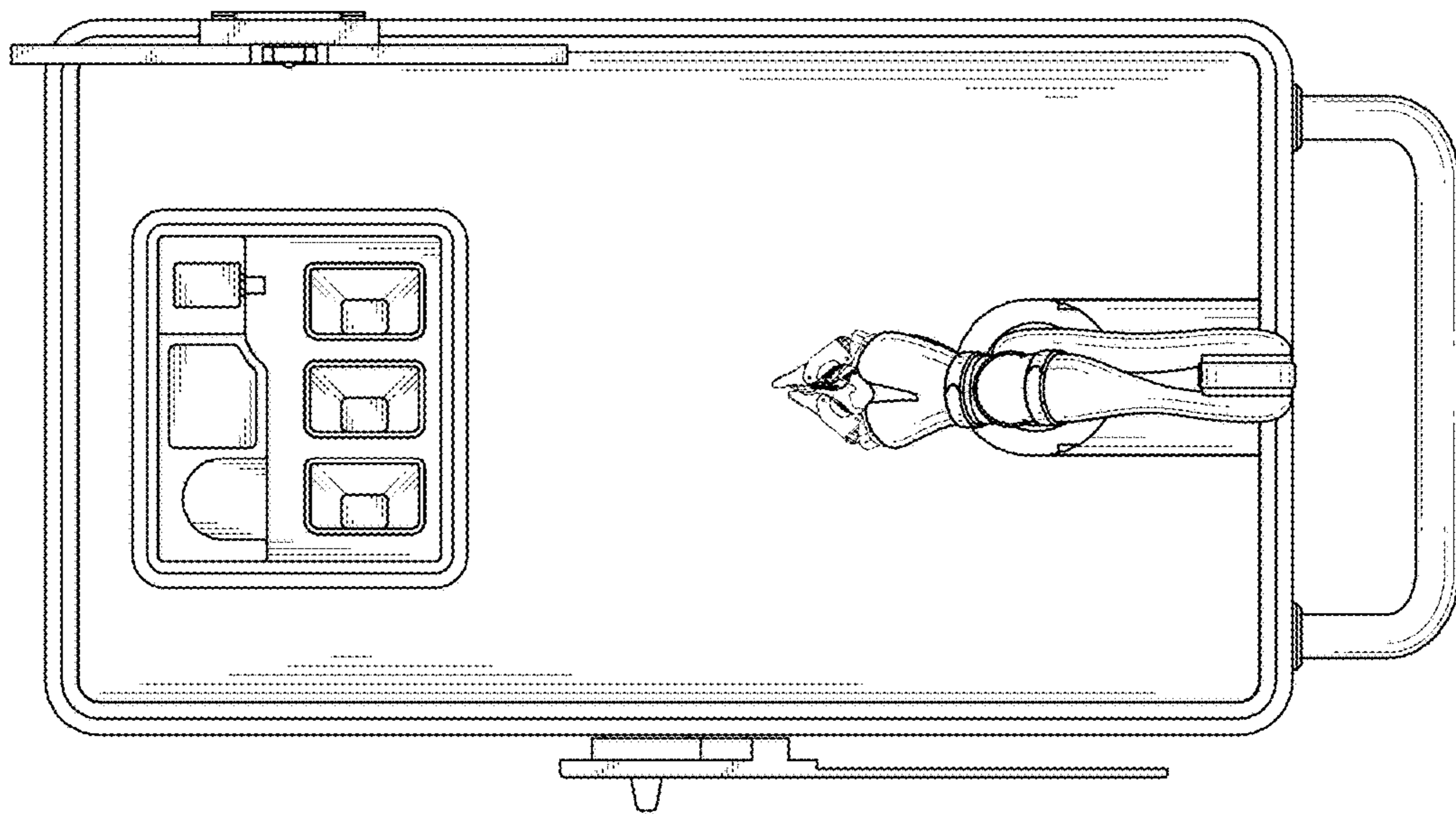


FIG. 6

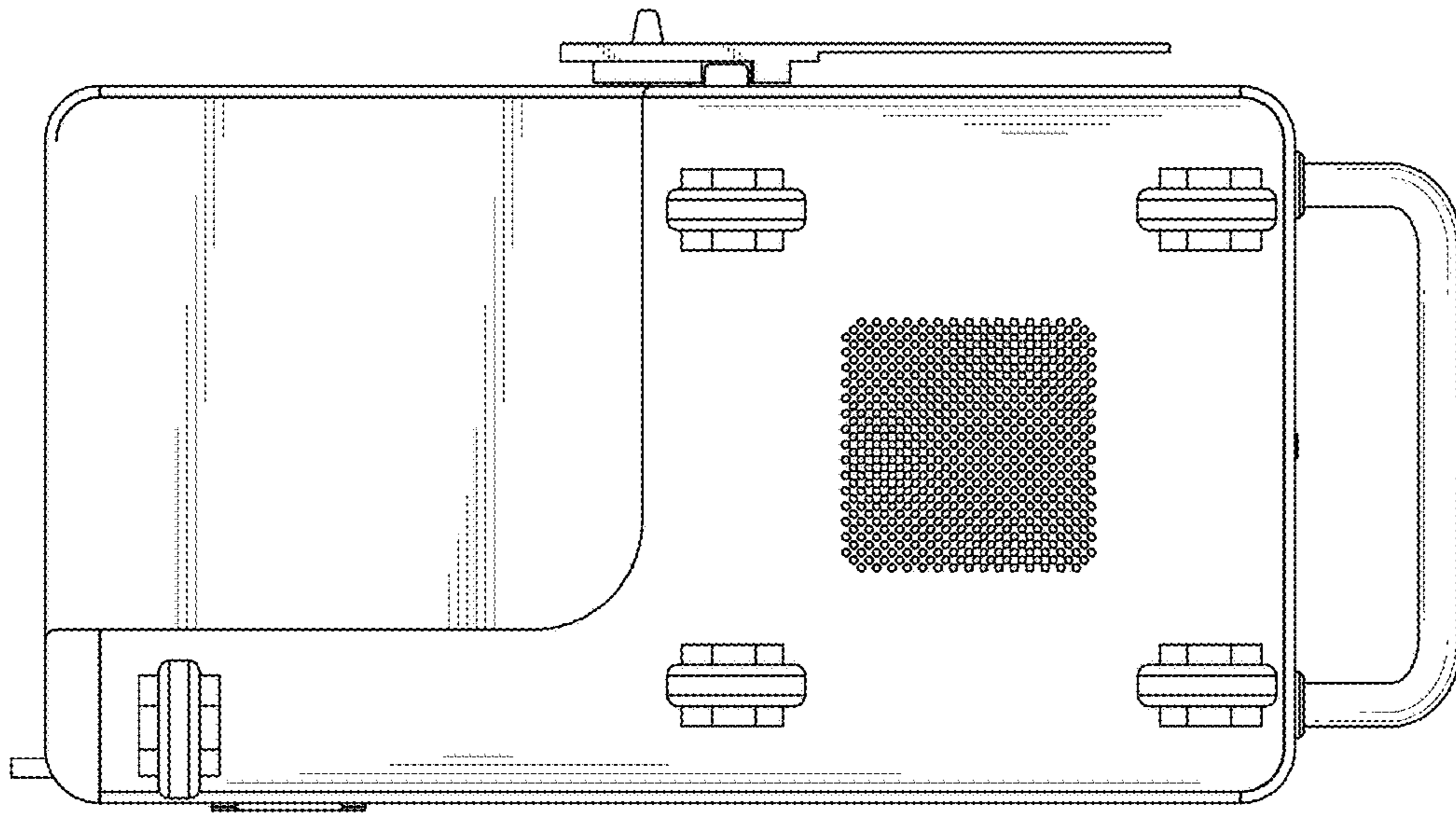


FIG. 7