



US00D782464S

(12) **United States Design Patent**
Chung et al.

(10) **Patent No.:** **US D782,464 S**
(45) **Date of Patent:** **** Mar. 28, 2017**

(54) **MOBILE DEVICE ACCESSORY WITH FLEXIBLE NECK**

(71) Applicants: **Paul J. Chung**, Fullerton, CA (US);
Derek Maneethai, La Habra, CA (US)

(72) Inventors: **Paul J. Chung**, Fullerton, CA (US);
Derek Maneethai, La Habra, CA (US)

(**) Term: **15 Years**

(21) Appl. No.: **29/568,590**

(22) Filed: **Jun. 20, 2016**

(51) **LOC (10) Cl.** **14-03**

(52) **U.S. Cl.**
USPC **D14/253; D16/242**

(58) **Field of Classification Search**
USPC D14/253, 251, 252, 447, 451, 452, 440,
D14/434, 458, 432, 439, 457, 460, 238.1,
(Continued)

(56) **References Cited**

U.S. PATENT DOCUMENTS

5,276,596 A * 1/1994 Krenzel F16M 11/40
362/191
D493,557 S * 7/2004 Kessler D26/62
(Continued)

OTHER PUBLICATIONS

<http://www.loc-line.com/product/40413-14-hose-assembly-kit/>,
Sep. 8, 2016.

(Continued)

Primary Examiner — Susan Bennett Hattan
Assistant Examiner — Janice Hallmark

(74) *Attorney, Agent, or Firm* — Knobbe, Martens, Olson & Bear LLP

(57) **CLAIM**

The ornamental design for a mobile device accessory with flexible neck, as shown and described.

DESCRIPTION

FIG. 1 is a perspective view of a mobile device accessory with flexible neck.

FIG. 2 is a front view of the mobile device accessory with flexible neck of FIG. 1.

FIG. 3 is a back view of the mobile device accessory with flexible neck of FIG. 1.

FIG. 4 is a left side view of the mobile device accessory with flexible neck of FIG. 1.

FIG. 5 is a right side view of the mobile device accessory with flexible neck of FIG. 1.

FIG. 6 is a top view of the mobile device accessory with flexible neck of FIG. 1.

FIG. 7 is a bottom view of the mobile device accessory with flexible neck of FIG. 1.

FIG. 8 is a perspective view of mobile device accessory with flexible neck of FIG. 1 with the flexible neck articulating in a forward direction.

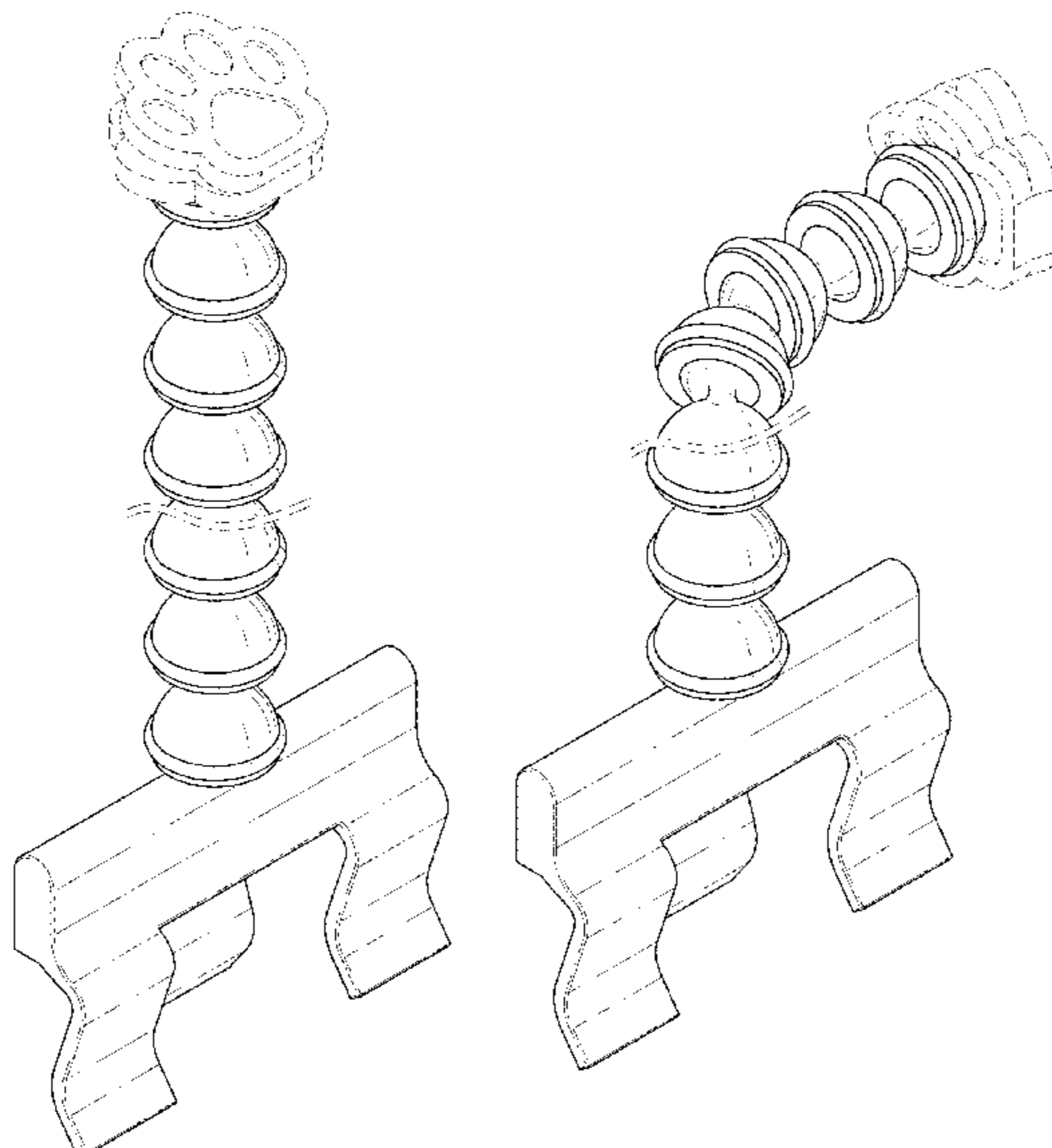
FIG. 9 is a perspective view of mobile device accessory with flexible neck of FIG. 1 with the flexible neck articulating in a backwards direction.

FIG. 10 is a perspective view of mobile device accessory with flexible neck of FIG. 1 with the flexible neck articulating in a leftward direction; and,

FIG. 11 is a perspective view of mobile device accessory with flexible neck of FIG. 1 with the flexible neck articulating in a rightward direction.

The short dash-short dash broken lines in the drawings depict parts of the mobile device accessory with flexible neck that form no part of the claimed design. The long dash-long-dash broken lines show a symbolic break in length. The appearance of any portion of the mobile device accessory with flexible neck between the break lines forms no part of the claimed design.

1 Claim, 10 Drawing Sheets



(58) Field of Classification Search

USPC D14/140, 142, 149, 217, 148, 140.8,
 D14/140.11, 209.1, 151, 140.9, 250, 238;
 D13/107, 108; D12/415, 223, 114, 420,
 D12/417, 407, 177; D3/218;
 D16/242-245, 250, 237, 203, 214, 219;
 D6/675, 672, 673, 675.4, 553, 676, 310,
 D6/406.3, 406.4, 406.5, 406.6, 407, 567,
 D6/300, 682.3, 396; 248/459, 460;
 224/483; D24/223; D9/457; 348/375,
 348/376; D21/466
 CPC B60R 2011/0008; B60R 11/02; B60R
 11/0241; B60R 11/0258; B60R 11/0252;
 B60R 2011/0294; F16M 11/00; F16M
 11/04; F16M 11/041; F16M 11/02; F16M
 11/06; F16M 13/00; H04M 1/02; H04M
 1/04; H04M 1/11; H04M 1/12; A47F
 7/022; B62J 11/00; H05K 7/00; G03B
 17/56; G03B 19/12

See application file for complete search history.

(56) References Cited

U.S. PATENT DOCUMENTS

D502,956 S * 3/2005 Holmes 396/428
 7,035,092 B2 * 4/2006 Hillman F16M 11/10
 285/184
 D535,773 S * 1/2007 Kessler D26/60
 D559,989 S * 1/2008 Martinelli D24/199

7,891,615 B2 2/2011 Bevirt
 D691,149 S * 10/2013 Breton D14/447
 8,602,662 B1 * 12/2013 Mans F16M 11/041
 248/160
 8,620,152 B1 * 12/2013 Martin G02B 15/10
 248/121
 D713,398 S * 9/2014 Alesi D14/253
 D716,642 S * 11/2014 Harges D8/380
 D724,072 S * 3/2015 Jiang D14/253
 D748,182 S * 1/2016 Polito D16/242
 D750,611 S * 3/2016 Manibog D14/252
 D750,633 S * 3/2016 Minn D14/447
 D752,597 S * 3/2016 Girault D14/447
 D766,229 S * 9/2016 Manibog D14/252
 2008/0069630 A1 * 3/2008 Bevirt F16M 11/40
 403/56
 2010/0078536 A1 * 4/2010 Galvin F16M 11/40
 248/231.51
 2010/0252696 A1 * 10/2010 Sage F16M 11/40
 248/160

OTHER PUBLICATIONS

<http://www.loc-line.com/product/40475-haas-lathe-adapter-kit/>,
 Sep. 8, 2016.
<https://www.amazon.com/Joby-GP1-A1EN-Gorillapod-Flexible-Tripod/dp/B000EVSLRO>, Jul. 3, 2006.
<http://poochselfie.com/collections/all/products/pooch-selfie-smartphone-attachment>.
<https://www.petzi.com/shop/petzi-treat-cam/>, Sep. 8, 2016.
<http://joby.com/gorillapod/ballhead-slr>, Sep. 9, 2016.

* cited by examiner

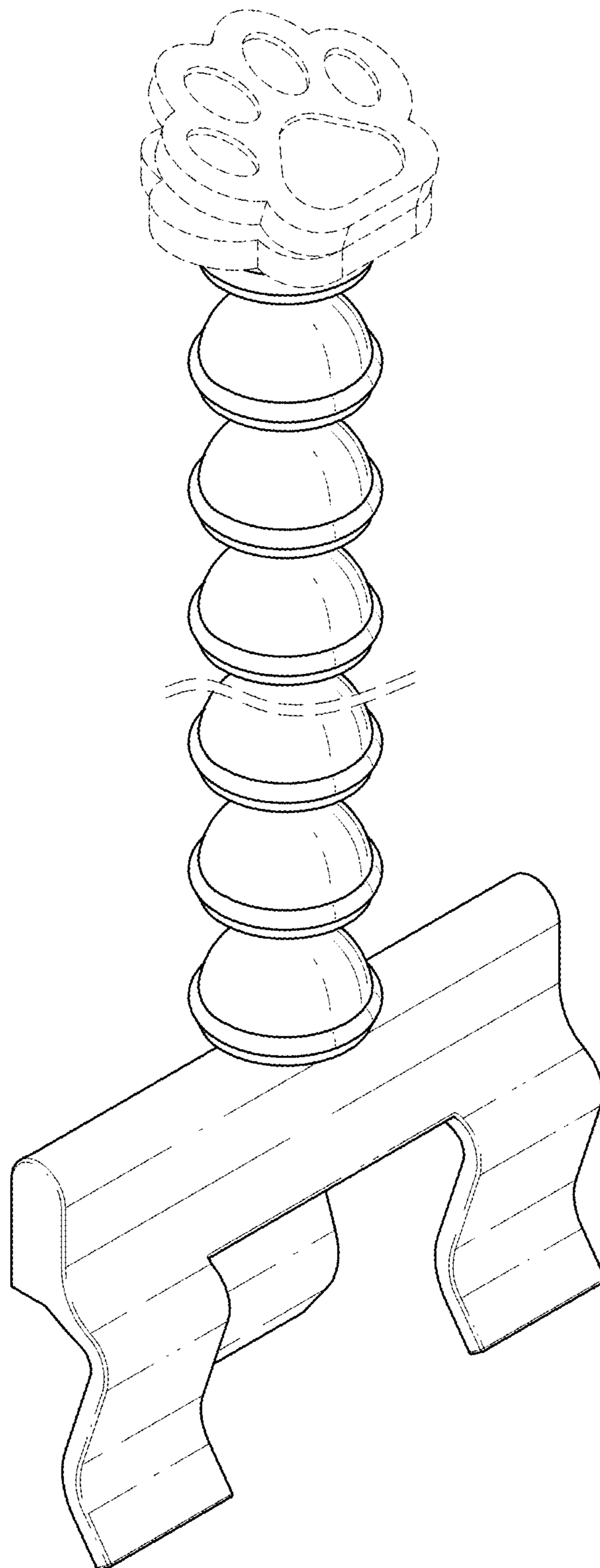


FIG. 1

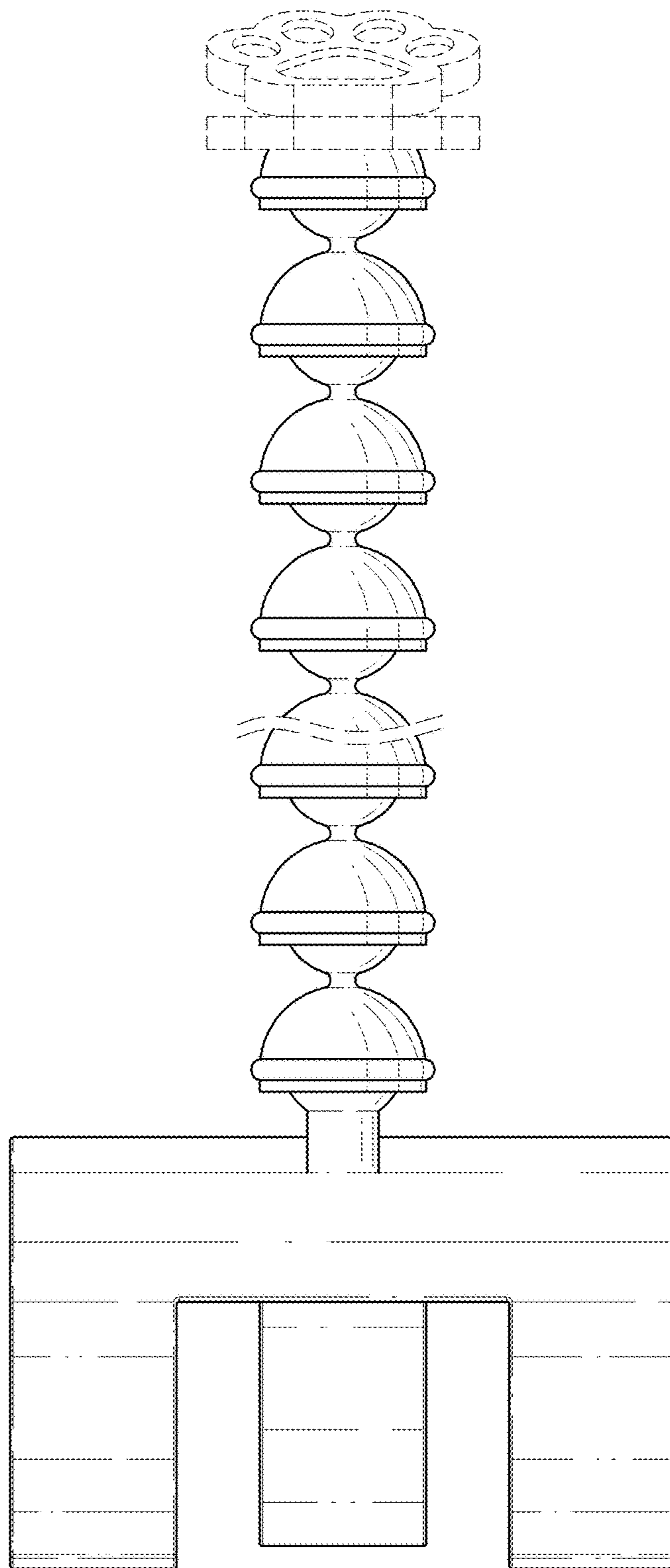


FIG. 2

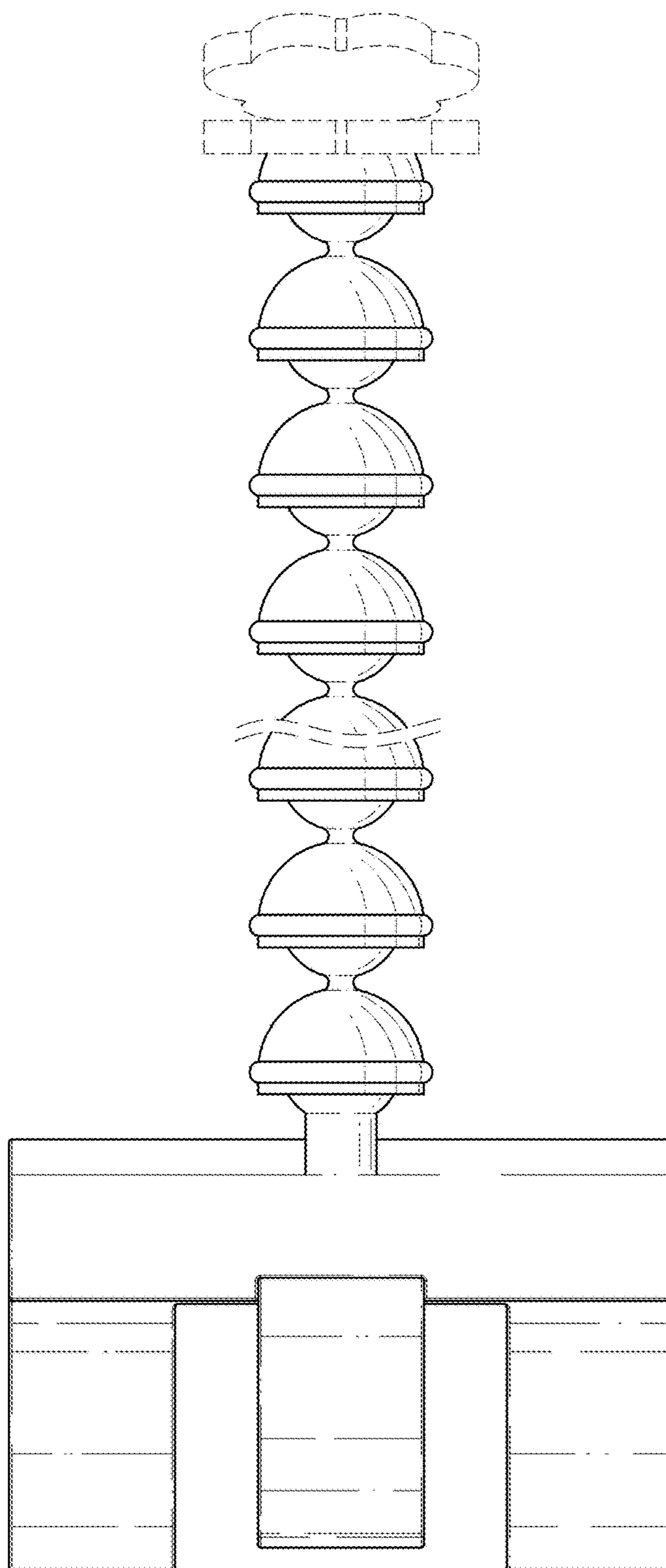


FIG. 3

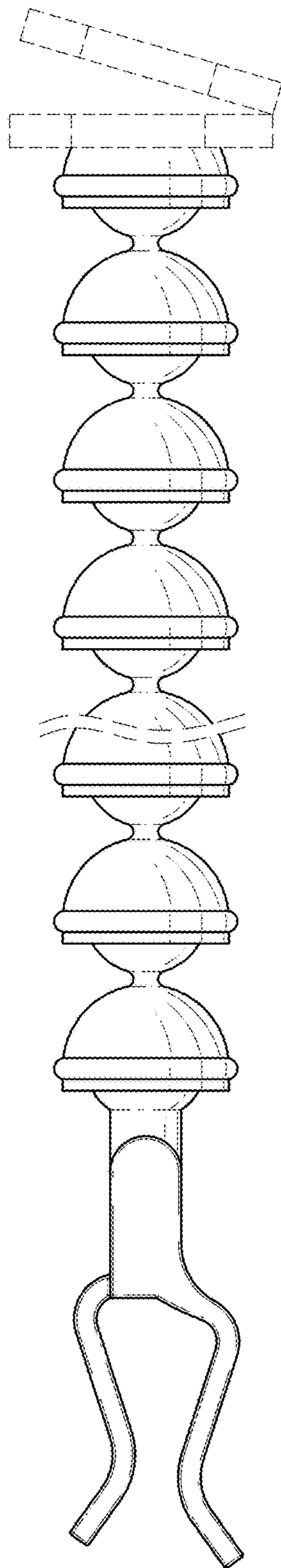


FIG. 4

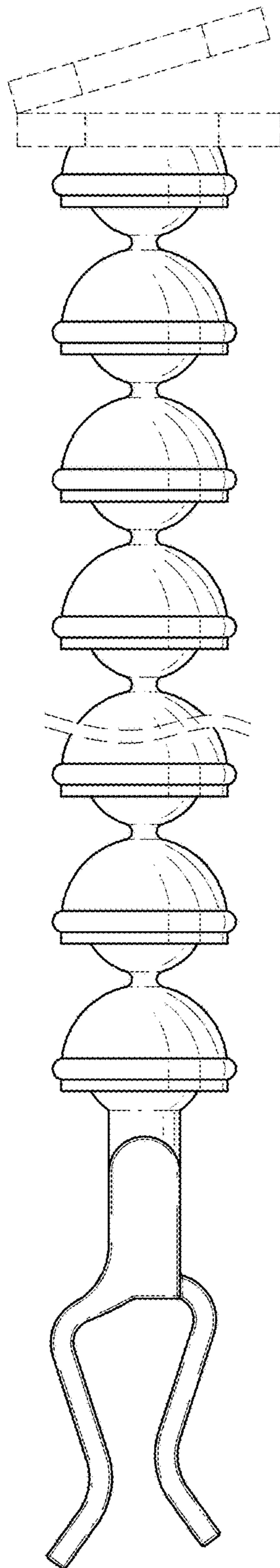


FIG. 5

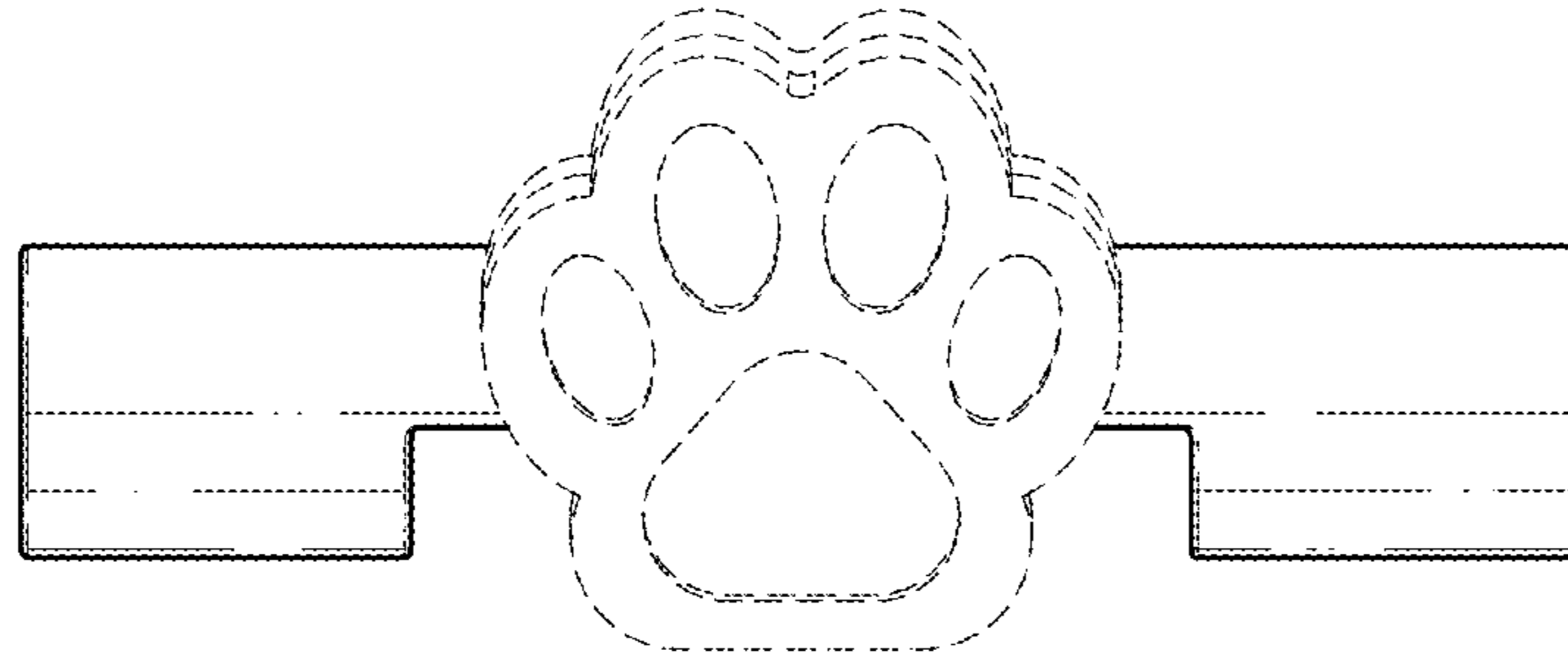


FIG. 6

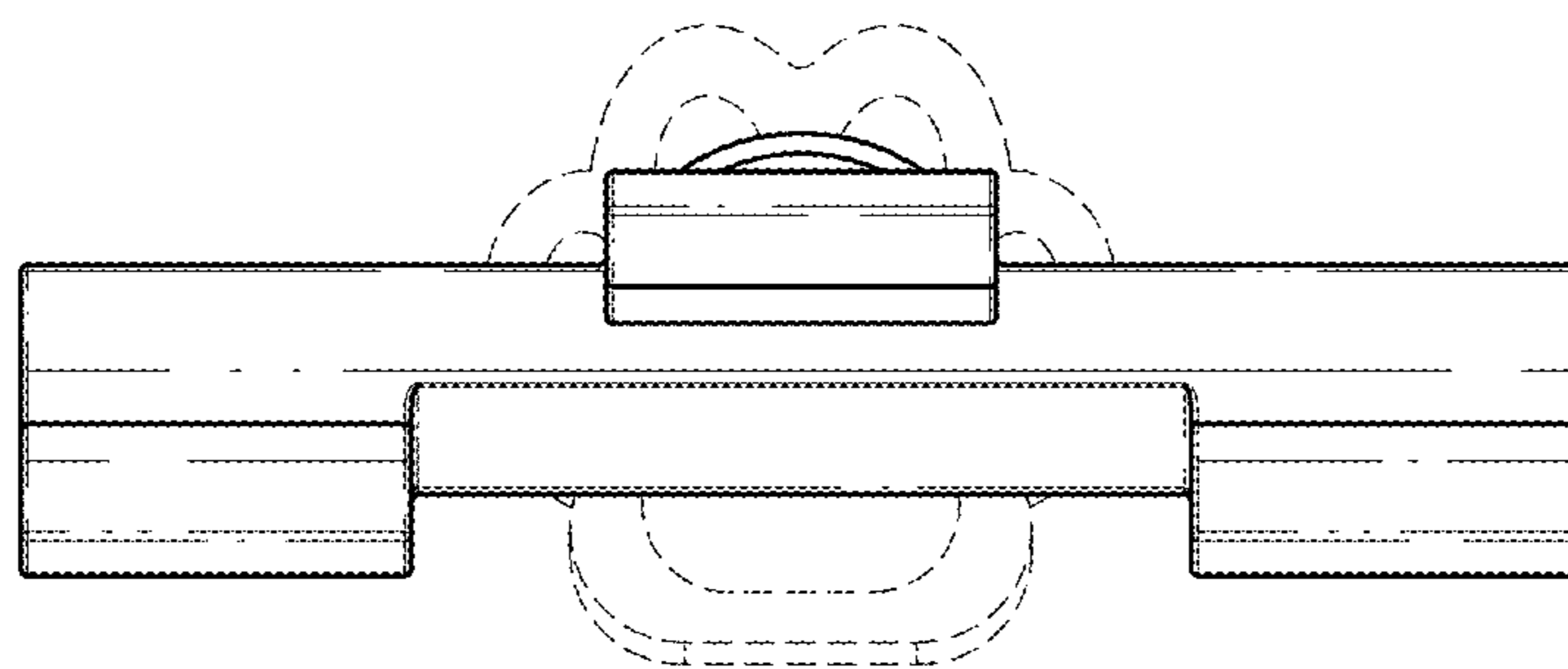


FIG. 7

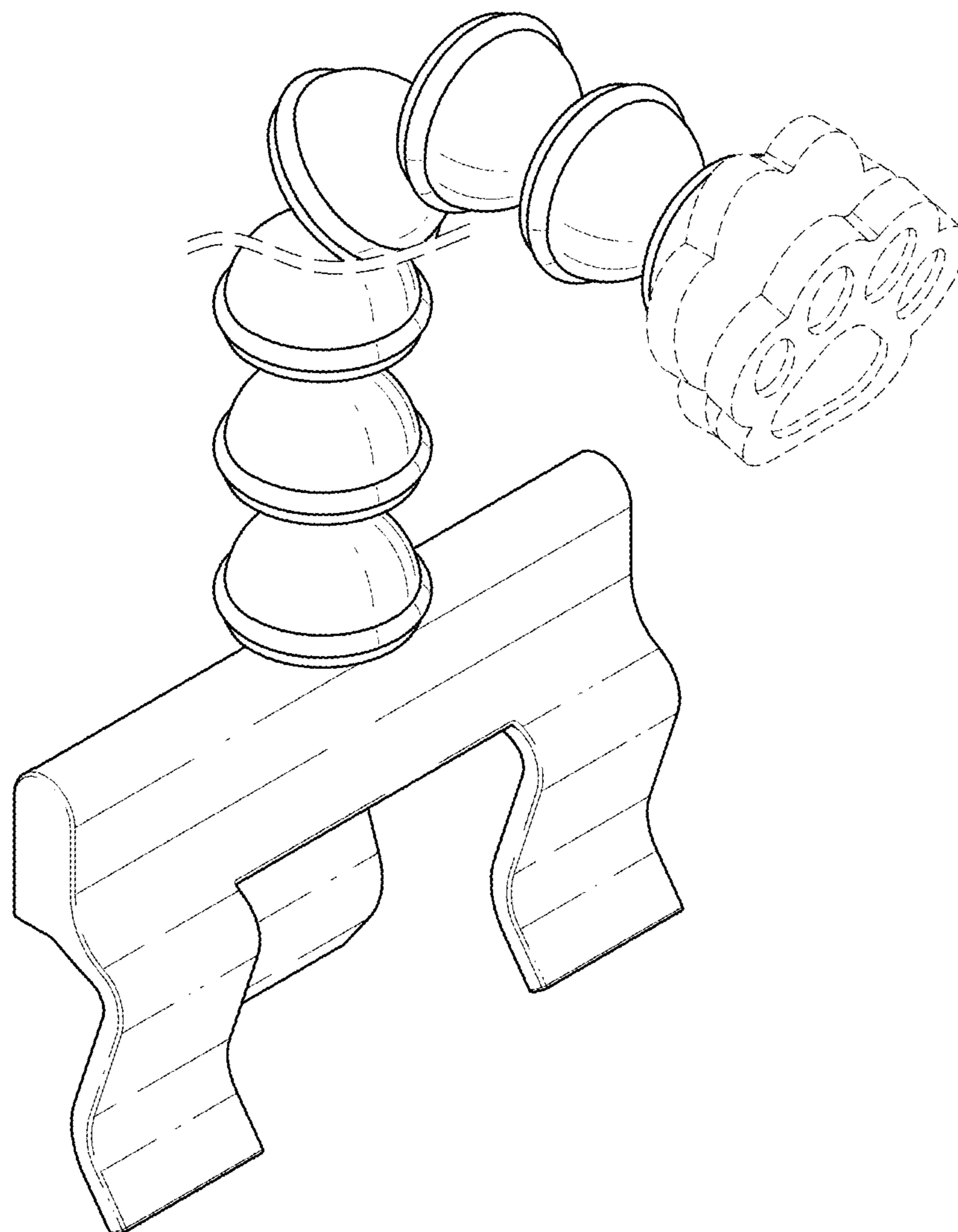


FIG. 8

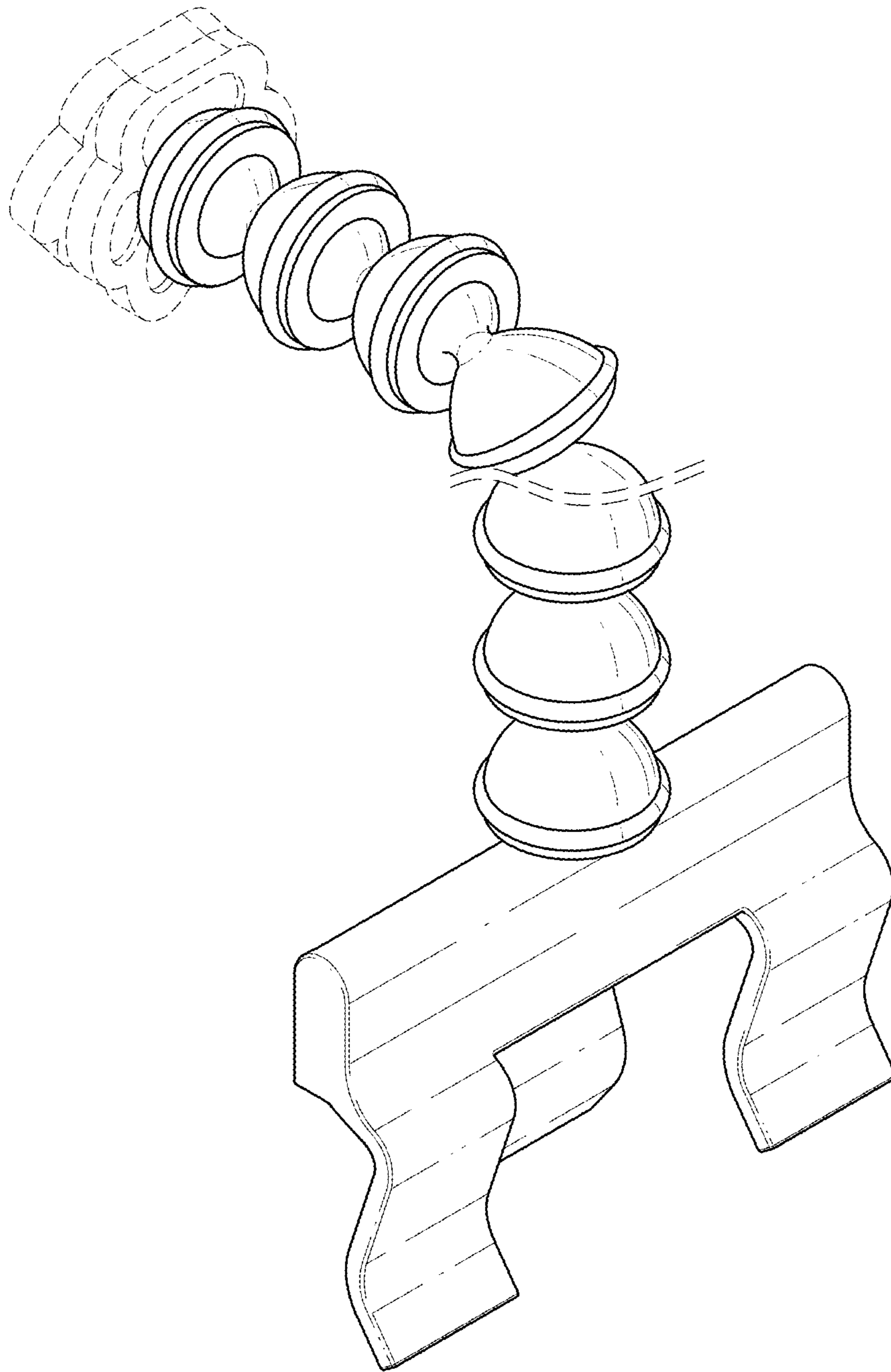


FIG. 9

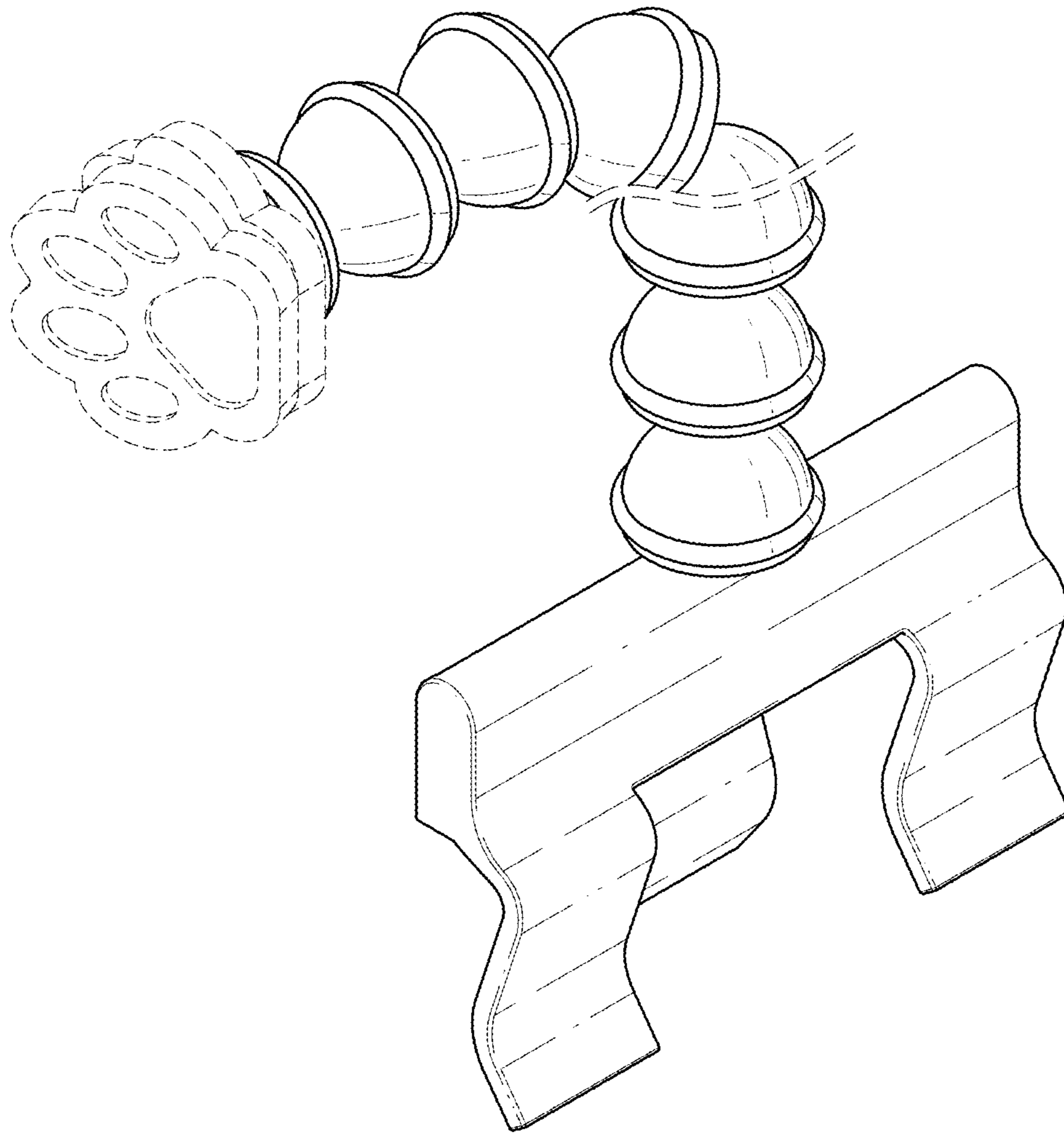


FIG. 10

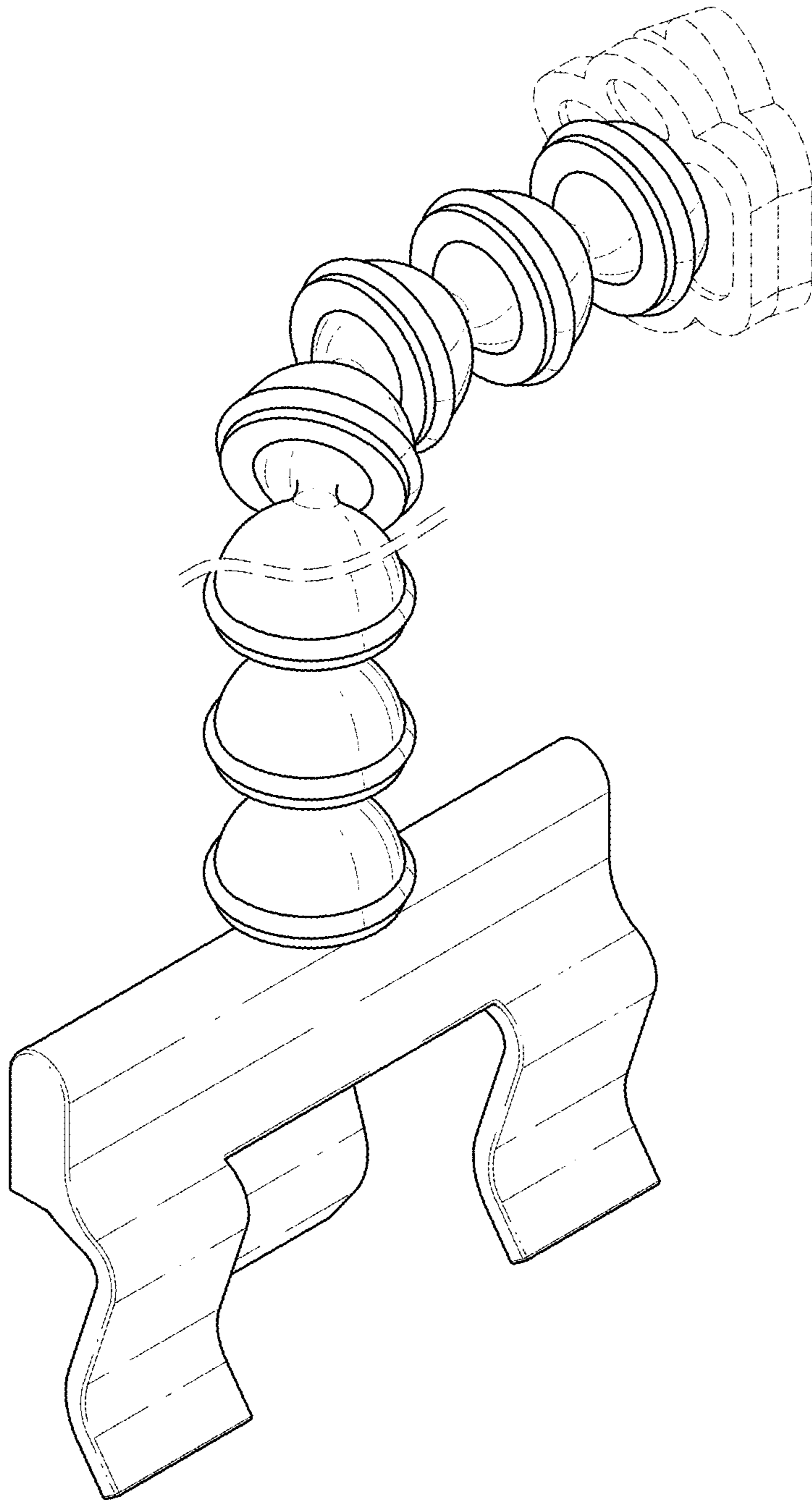


FIG. 11