



US00D782462S

(12) **United States Design Patent**  
**Huang**

(10) **Patent No.:** **US D782,462 S**

(45) **Date of Patent:** **\*\* Mar. 28, 2017**

(54) **HOLDER FOR PORTABLE DEVICES**

(71) Applicant: **Hongping Huang**, Hunan (CN)

(72) Inventor: **Hongping Huang**, Hunan (CN)

(\*\*) Term: **15 Years**

(21) Appl. No.: **29/564,282**

(22) Filed: **May 11, 2016**

(51) **LOC (10) Cl.** ..... **14-03**

(52) **U.S. Cl.**  
USPC ..... **D14/253**

(58) **Field of Classification Search**

USPC ..... D14/253, 251, 252, 447, 451, 452, 440,  
D14/434, 458, 432, 439, 457, 460, 238.1,  
D14/140, 142, 149, 217, 148, 140.8,  
D14/140.11, 209.1, 151, 140.9, 250, 238;  
D13/107, 108; D12/415, 223, 114, 420,  
D12/417, 407, 177; D3/218;  
D16/242-245, 250, 237, 203, 214, 219;  
D8/349; D6/675, 672, 673, 675.4, 553,  
D6/676, 310, 406.3, 406.4, 406.5, 406.6,  
D6/407, 567, 300, 682.3; 248/459, 460;  
224/483

CPC ..... B60R 2011/0008; B60R 11/02; B60R  
11/0241; B60R 11/0258; B60R 11/0252;  
B60R 2011/0294; F16M 11/00; F16M  
11/04; F16M 11/041; F16M 11/02; F16M  
11/06; F16M 13/00; H04M 1/02; H04M  
1/04; H04M 1/11; H04M 1/12; A47F  
7/022; B62J 11/00; H05K 7/00; G03B  
17/56

See application file for complete search history.

(56) **References Cited**

U.S. PATENT DOCUMENTS

D690,707 S *	10/2013	Minn	.....	D14/447
D716,215 S *	10/2014	Dunn	.....	D12/415
D720,759 S *	1/2015	Deng	.....	D14/447
D726,175 S *	4/2015	Tsai	.....	D12/415
D750,633 S *	3/2016	Minn	.....	D14/447
D753,643 S *	4/2016	Kim	.....	D14/253
D757,705 S *	5/2016	Esses	.....	D14/251
D765,651 S *	9/2016	Liu	.....	D14/253
D768,125 S *	10/2016	Kim	.....	D14/253
D769,860 S *	10/2016	Xiao	.....	D14/253
2014/0138419 A1 *	5/2014	Minn	.....	B60R 11/0241 224/567

\* cited by examiner

*Primary Examiner* — Susan Bennett Hattan

*Assistant Examiner* — Janice Hallmark

(57) **CLAIM**

The ornamental design for a holder for portable devices, as shown and described.

**DESCRIPTION**

FIG. 1 is a front, top and right side perspective view of a holder for portable devices showing my new design;

FIG. 2 is a front, bottom and left side perspective view thereof;

FIG. 3 is a front elevational view thereof;

FIG. 4 is a rear elevational view thereof;

FIG. 5 is a left side view thereof;

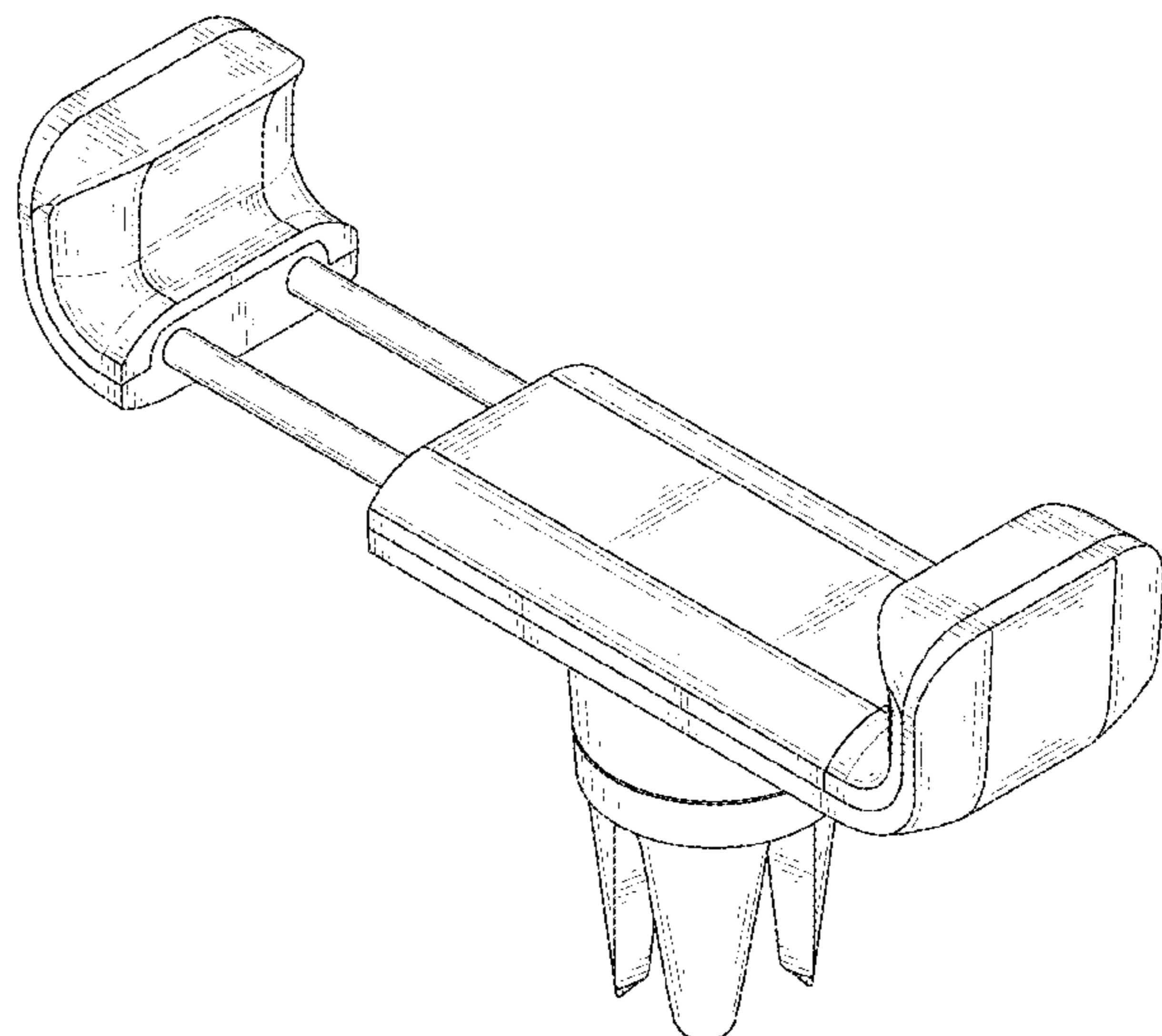
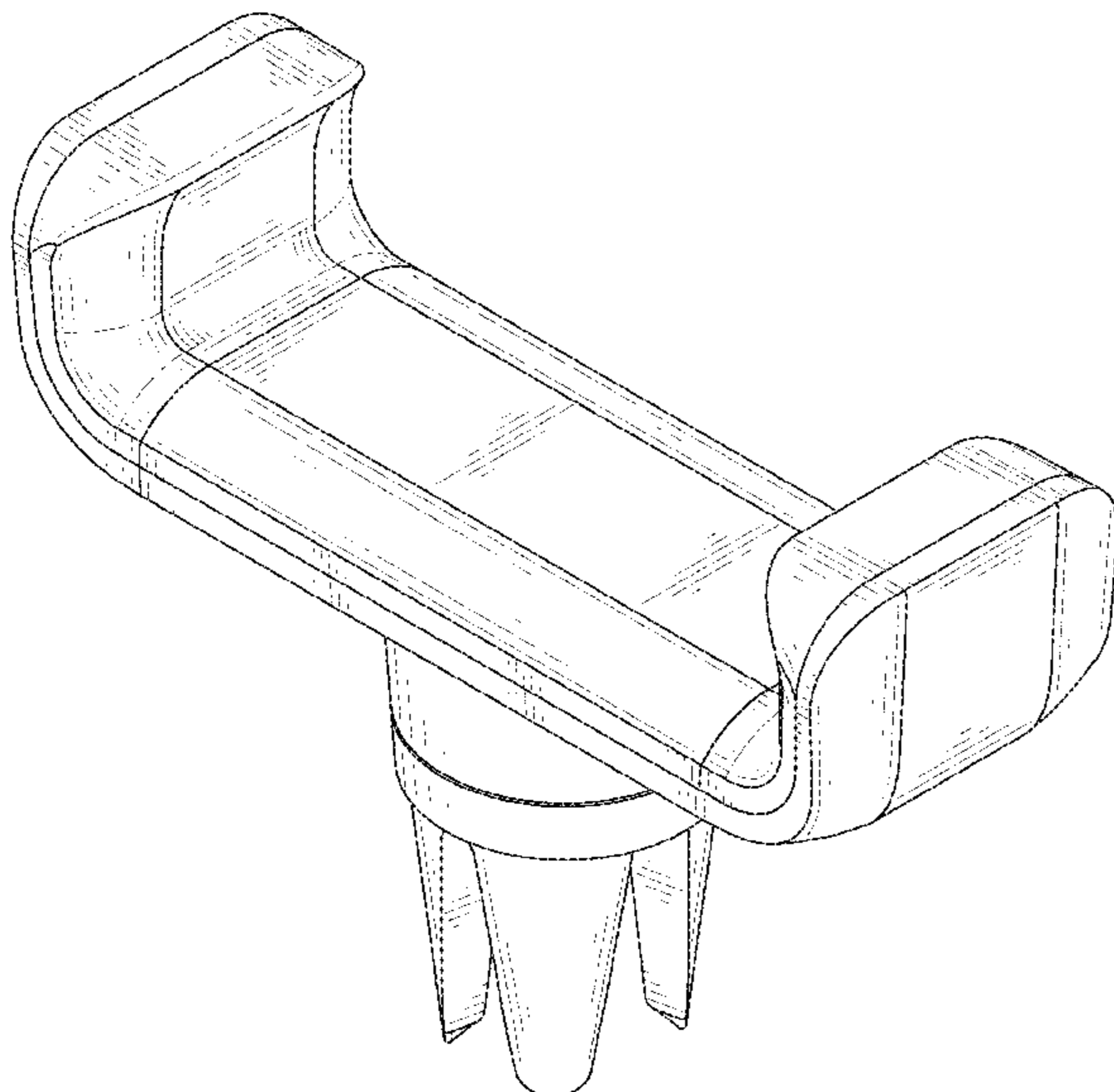
FIG. 6 is a right side view thereof;

FIG. 7 is a top plan view thereof;

FIG. 8 is a bottom plan view thereof; and,

FIG. 9 is a perspective view thereof showing the holder for portable devices in a use state.

**1 Claim, 9 Drawing Sheets**



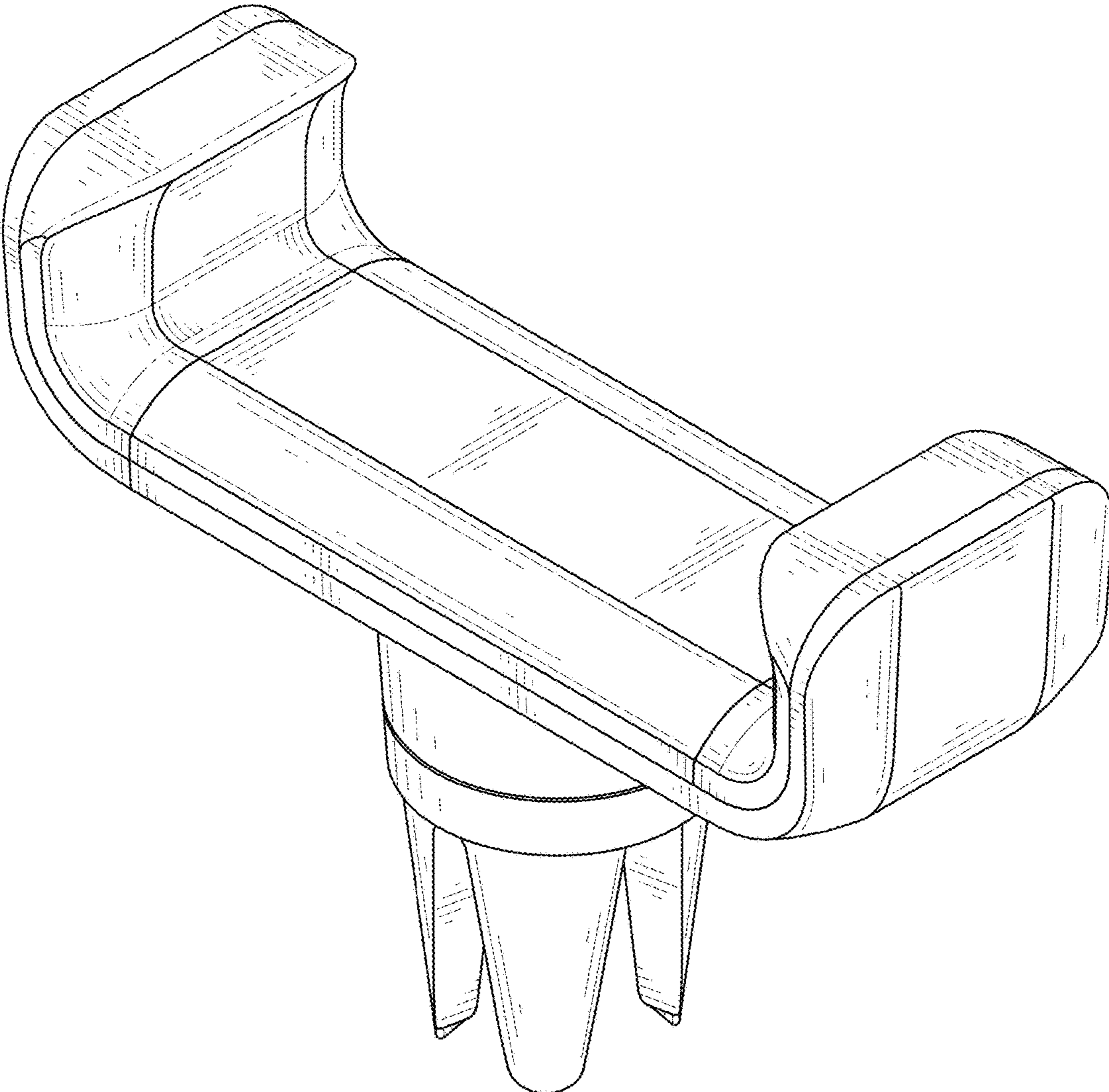


Fig. 1

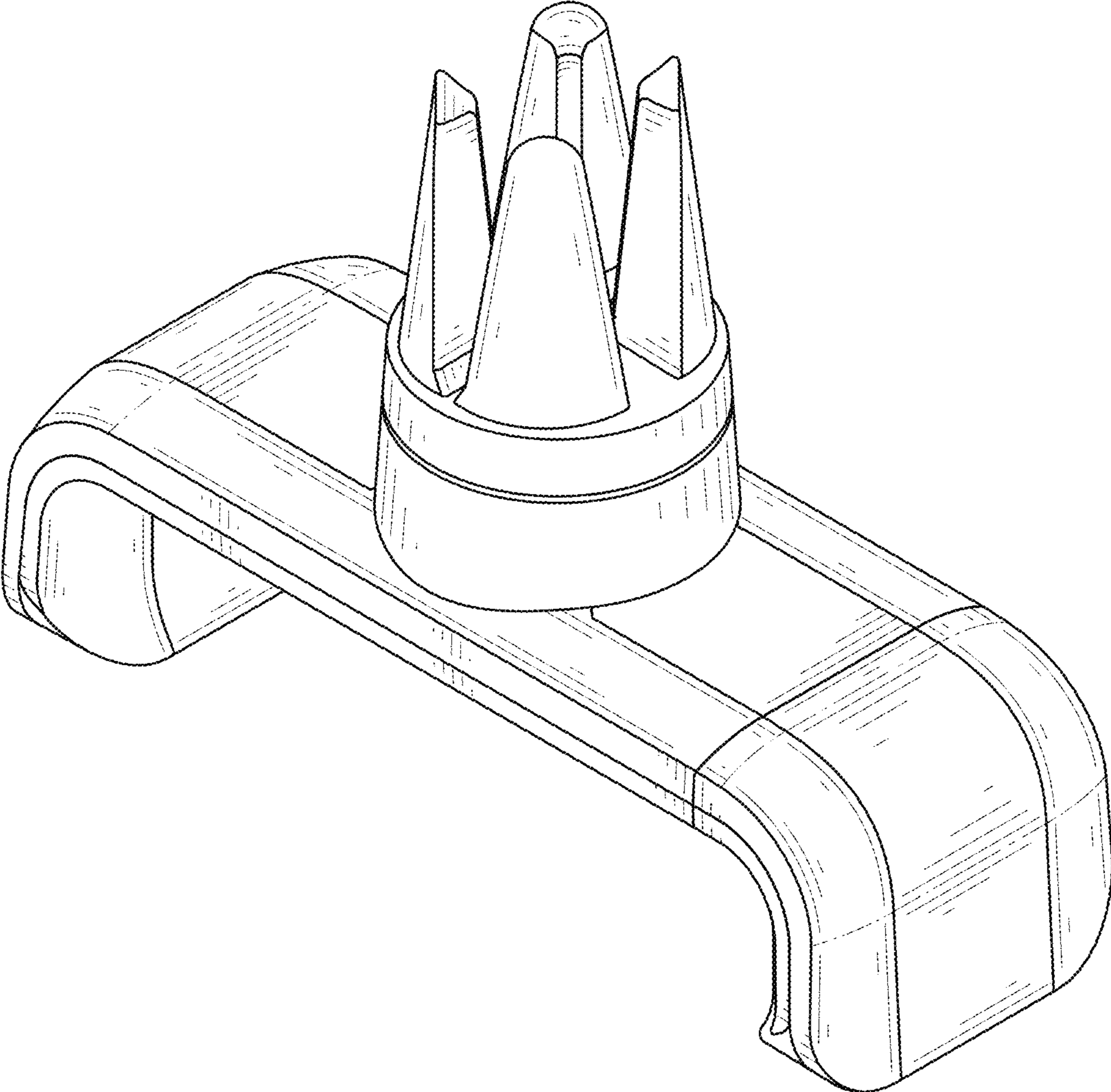


Fig. 2

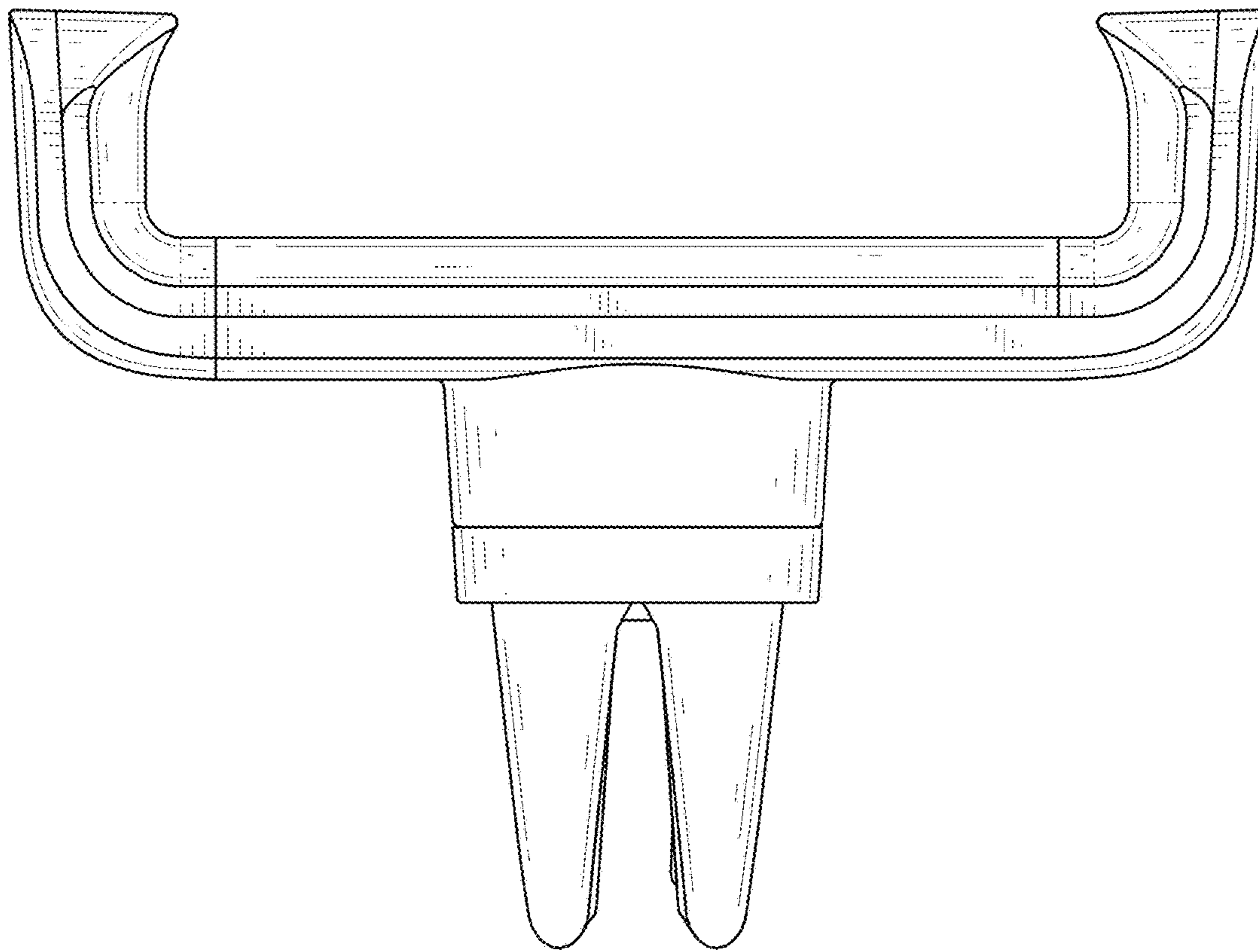


Fig. 3



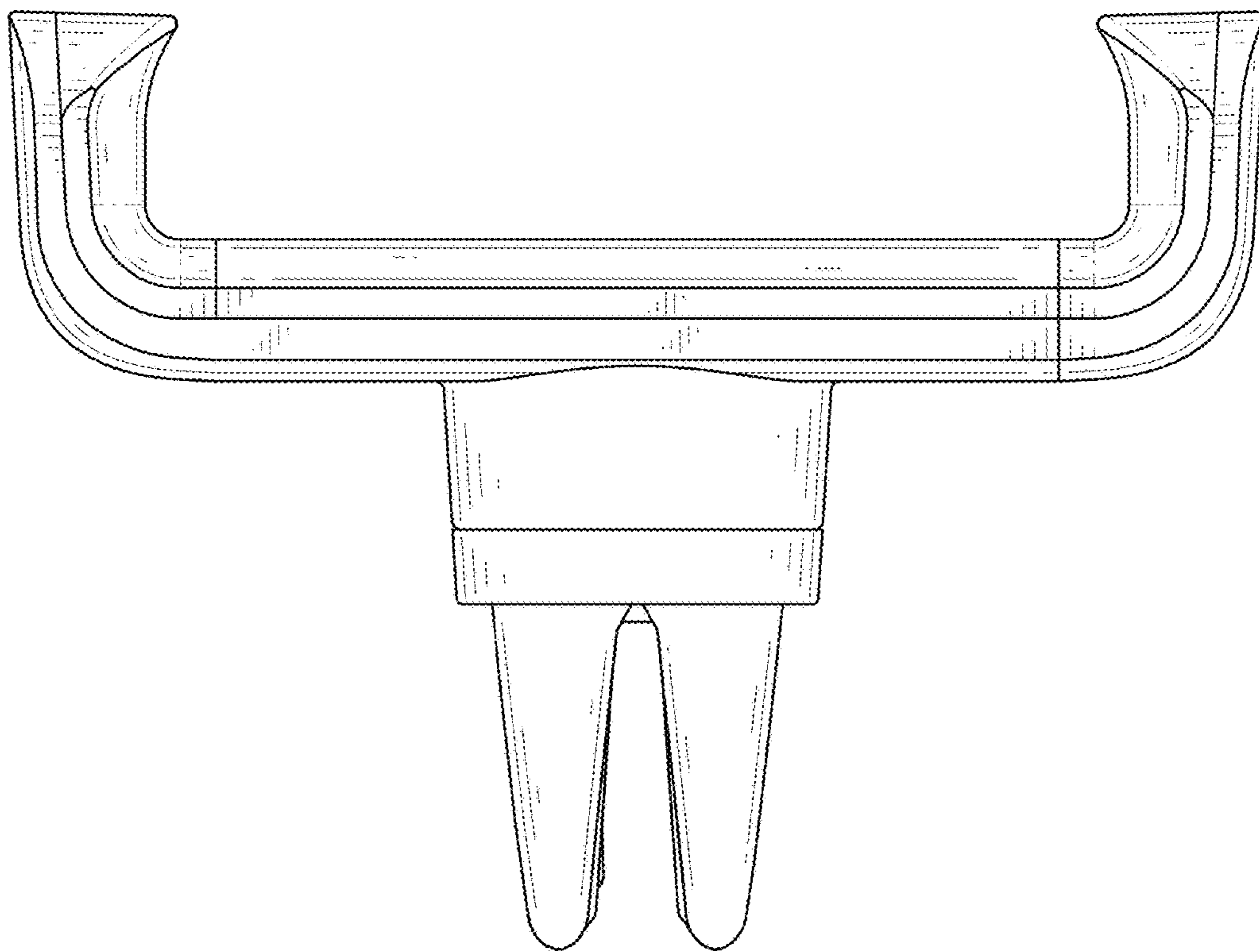


Fig. 4

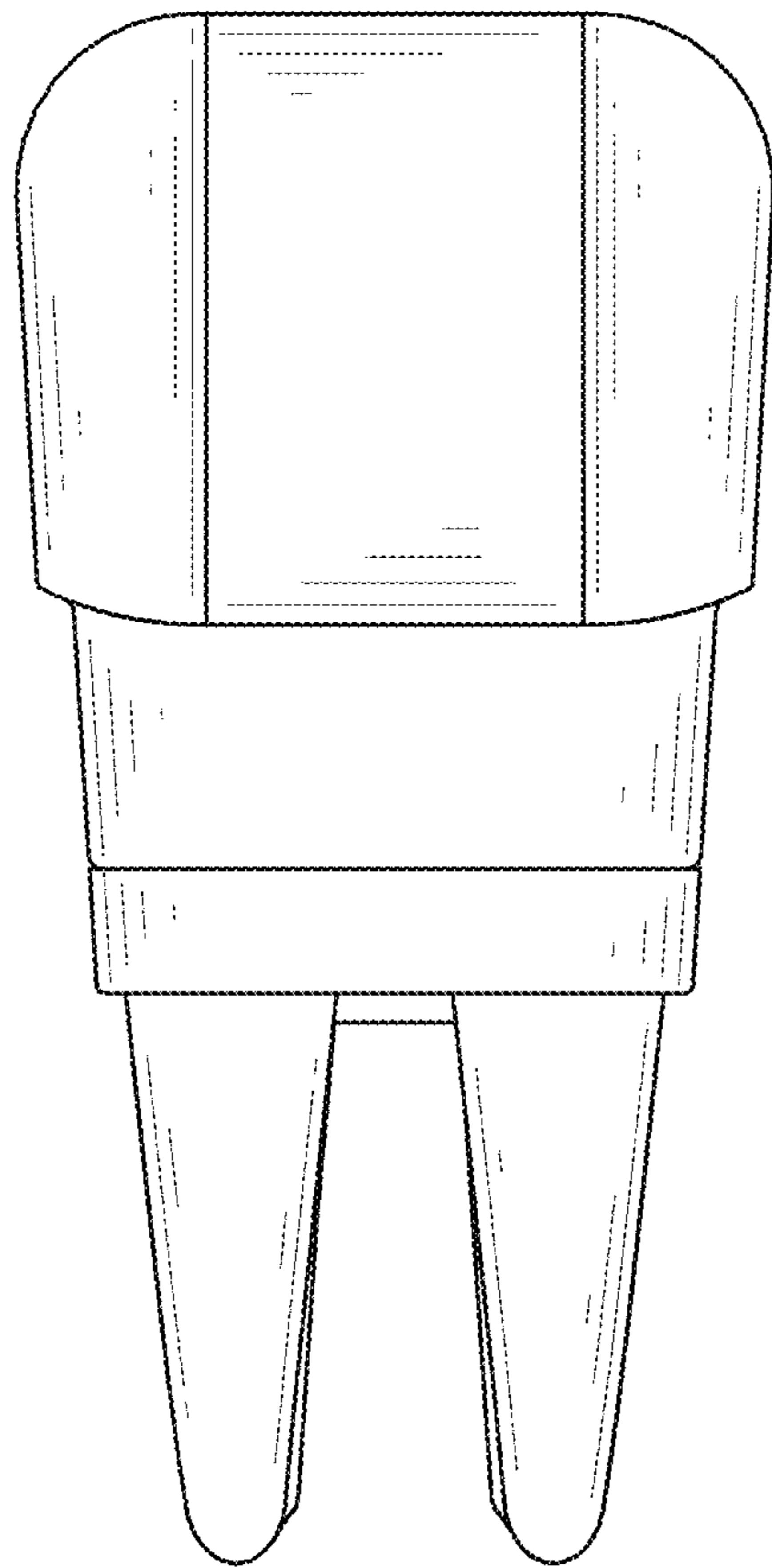


Fig. 5

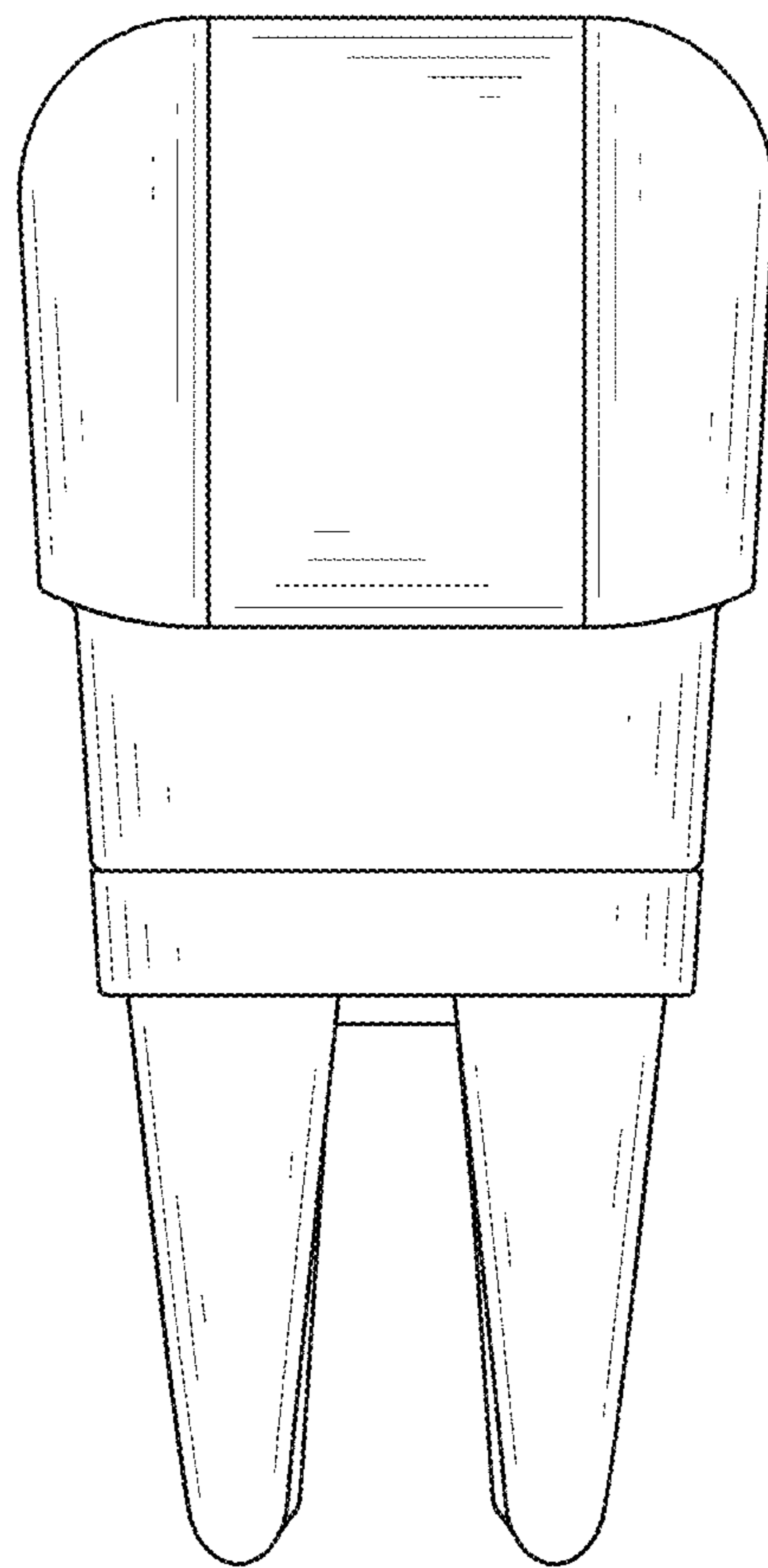


Fig. 6

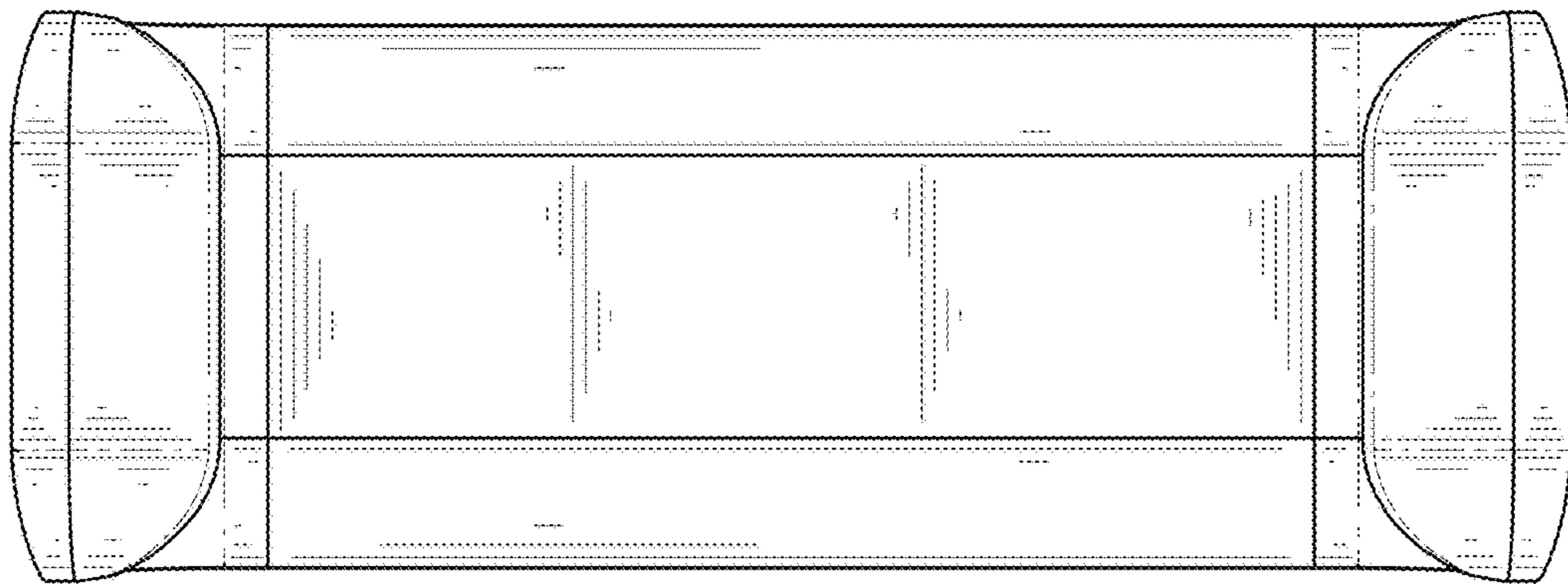


Fig. 7



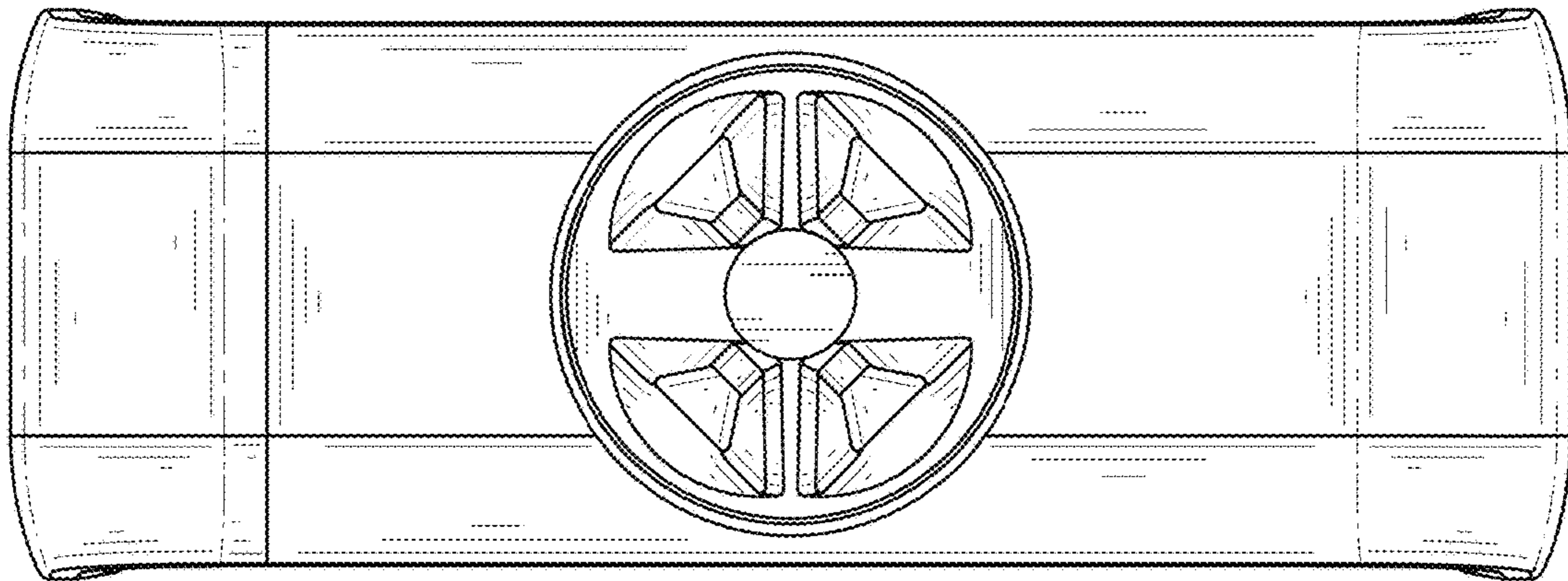


Fig. 8

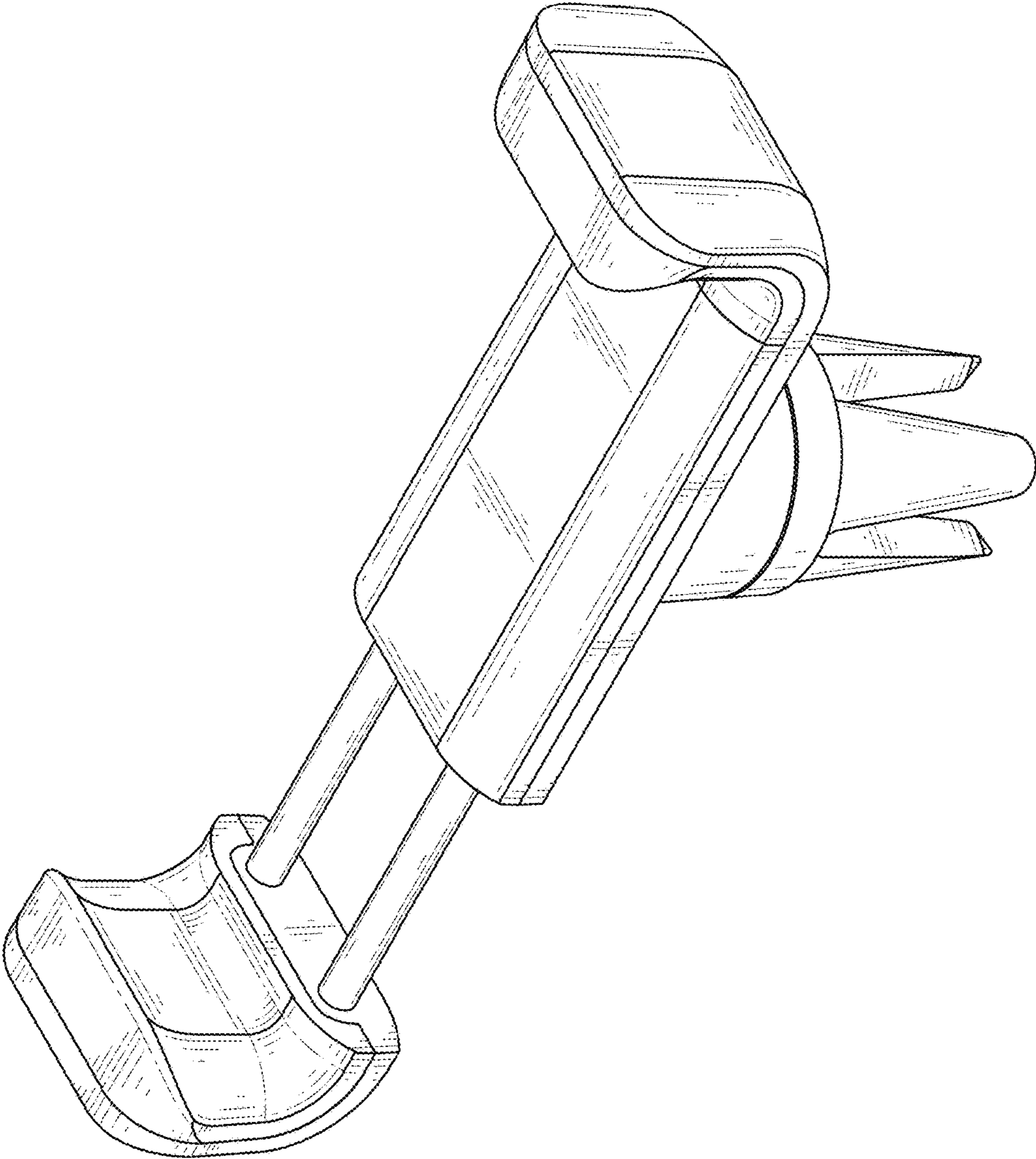


Fig. 9