



US00D782460S

(12) **United States Design Patent**
Bertrand et al.

(10) **Patent No.:** **US D782,460 S**

(45) **Date of Patent:** **** Mar. 28, 2017**

(54) **PHONE COVER**

(71) Applicant: **Antenna79, Inc.**, Encinitas, CA (US)

(72) Inventors: **Blaise Bertrand**, San Francisco, CA (US); **Stephen Kim**, San Francisco, CA (US); **Albert Han Leung**, San Francisco, CA (US); **Francois Rybarczyk**, San Francisco, CA (US)

(**) Term: **15 Years**

(21) Appl. No.: **29/578,219**

(22) Filed: **Sep. 20, 2016**

Related U.S. Application Data

(62) Division of application No. 29/542,400, filed on Oct. 14, 2015, now Pat. No. Des. 767,554, which is a division of application No. 29/454,146, filed on May 7, 2013, now Pat. No. Des. 741,310.

(51) **LOC (10) Cl.** **14-03**

(52) **U.S. Cl.**
USPC **D14/250**

(58) **Field of Classification Search**
USPC D14/250, 138 AA, 138 AB, 138 AD, D14/138 G, 217, 238.1, 248, 251-253, D14/346, 356, 440, 496, 203.5, 203.8; D13/103, 107, 108; D3/201, 218, 247, D3/269, 273, 301, 303
CPC .. H04B 1/3888; A45C 2011/002; H04M 1/04; H04M 1/0283
See application file for complete search history.

(56) **References Cited**

U.S. PATENT DOCUMENTS

D589,486 S * 3/2009 He D14/138 AB
D589,505 S * 3/2009 He D14/248
D590,823 S * 4/2009 Wong D14/248

D599,788 S * 9/2009 Nuovo D14/248
D608,752 S * 1/2010 He D14/138 AA
D624,046 S * 9/2010 Lee D14/138 G
D626,527 S * 11/2010 Park D14/138 AB
D626,528 S * 11/2010 Park D14/138 AB
D645,015 S * 9/2011 Lee D14/138 G
D645,834 S * 9/2011 Lee D14/138 AD
D662,926 S * 7/2012 Fahrendorff D14/250
D662,928 S * 7/2012 Fahrendorff D14/250
D669,889 S * 10/2012 Li D14/248
D679,690 S * 4/2013 Fahrendorff D14/250

(Continued)

Primary Examiner — Barbara Fox

Assistant Examiner — Lilyana Bekic

(57) **CLAIM**

The ornamental design for a phone cover, as shown and described.

DESCRIPTION

FIG. 1 is a front perspective view of a phone cover, showing our new design;

FIG. 2 is a rear perspective view of the phone cover illustrated in FIG. 1;

FIG. 3 is a front view of the phone cover illustrated in FIG. 1;

FIG. 4 is a rear view of the phone cover illustrated in FIG. 1;

FIG. 5 is a left side view of the phone cover illustrated in FIG. 1;

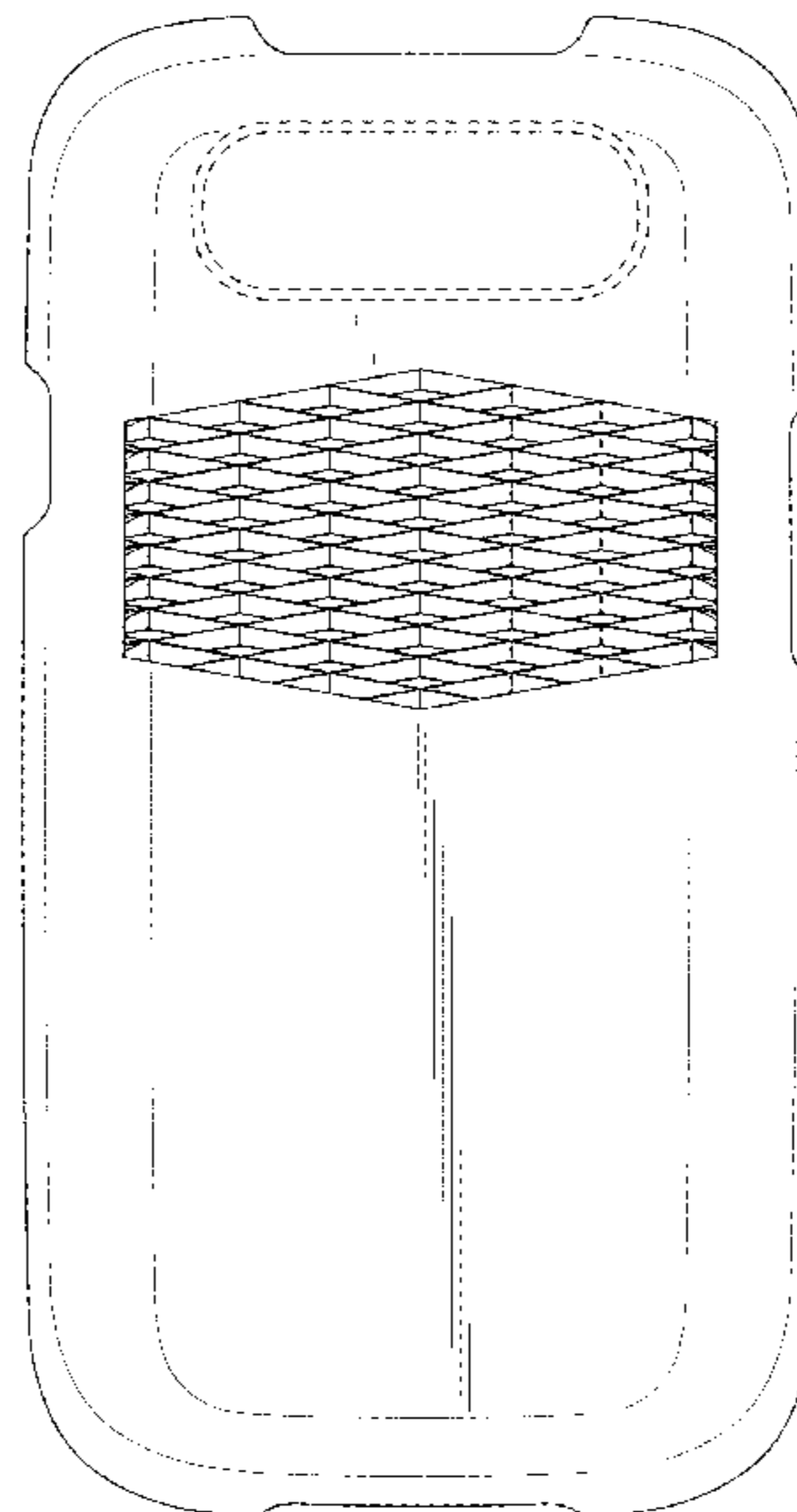
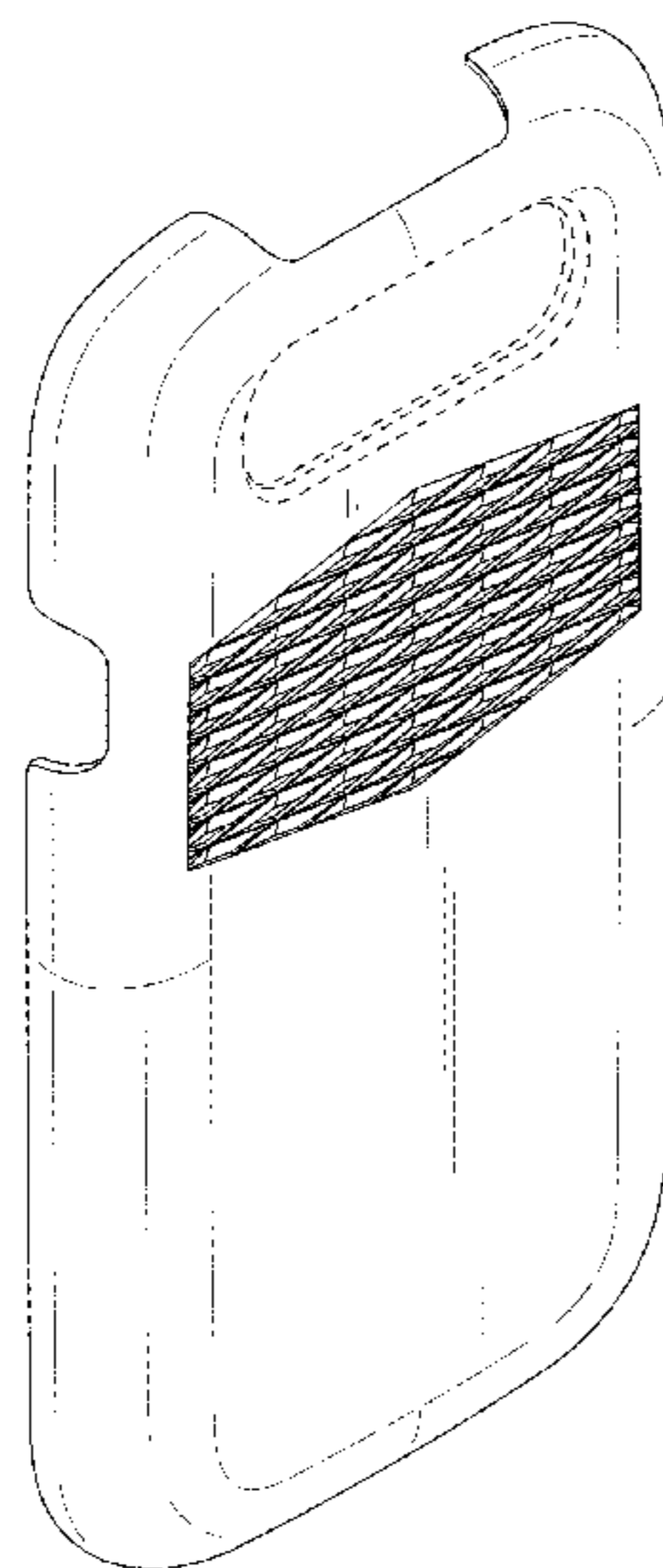
FIG. 6 is a right side view of the phone cover illustrated in FIG. 1;

FIG. 7 is a top view of the phone cover illustrated in FIG. 1; and,

FIG. 8 is a bottom view of the phone cover illustrated in FIG. 1.

The evenly-spaced broken lines shown in the drawings represent portions of the phone cover that form no part of the claimed design.

1 Claim, 6 Drawing Sheets



(56)

References Cited

U.S. PATENT DOCUMENTS

D679,696	S	*	4/2013	Murchison	D14/250
D685,364	S	*	7/2013	Murchison	D14/250
D687,796	S	*	8/2013	Lee	D14/138 G
D687,797	S	*	8/2013	Kim	D14/138 G
D714,781	S	*	10/2014	Lee	D14/248
D715,787	S	*	10/2014	Lee	D14/250
D720,736	S	*	1/2015	Chen	D14/250
D727,886	S	*	4/2015	Bertrand	D14/250
D734,747	S	*	7/2015	Seo	D14/138 G
D741,310	S	*	10/2015	Bertrand	D14/250
D746,274	S	*	12/2015	Herbst	D14/250
D767,554	S	*	9/2016	Bertrand	D14/250
2016/0058143	A1	*	3/2016	Tien	A45C 11/00 224/191

* cited by examiner

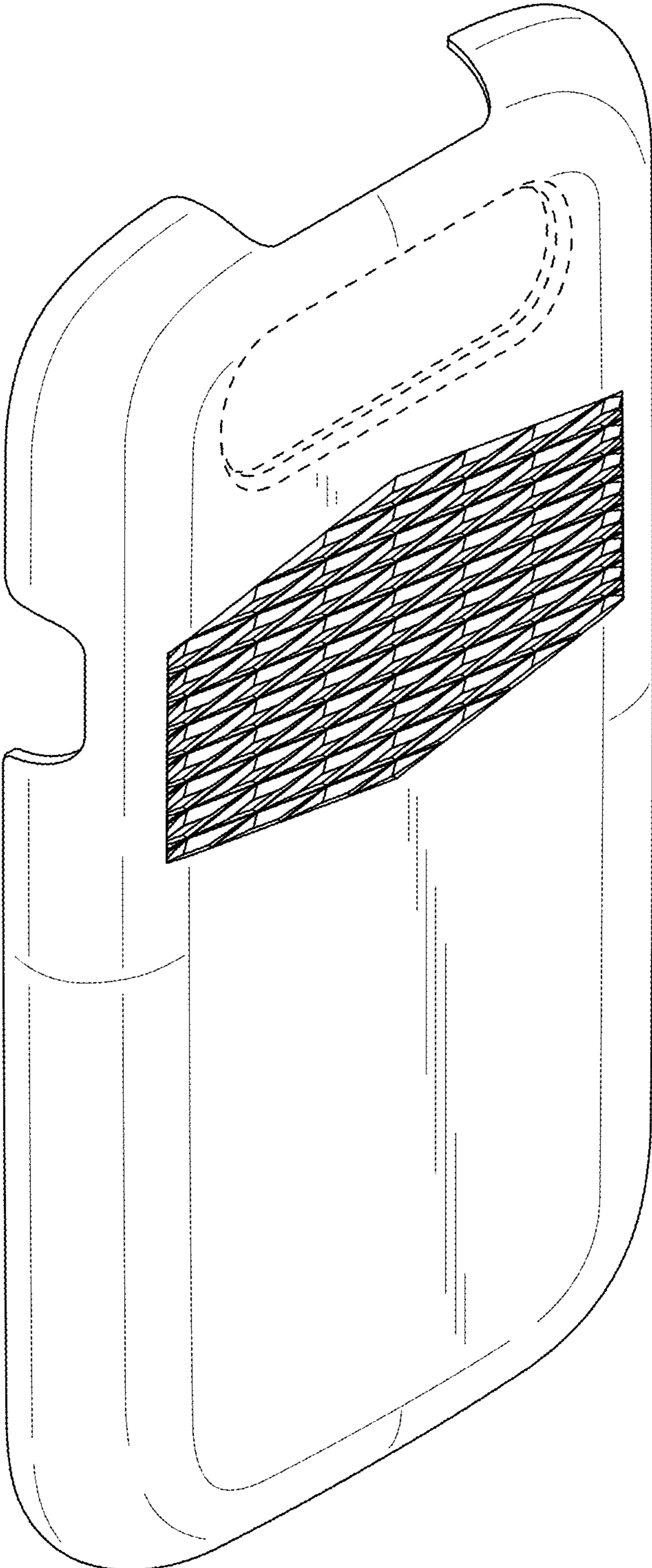


FIG.1

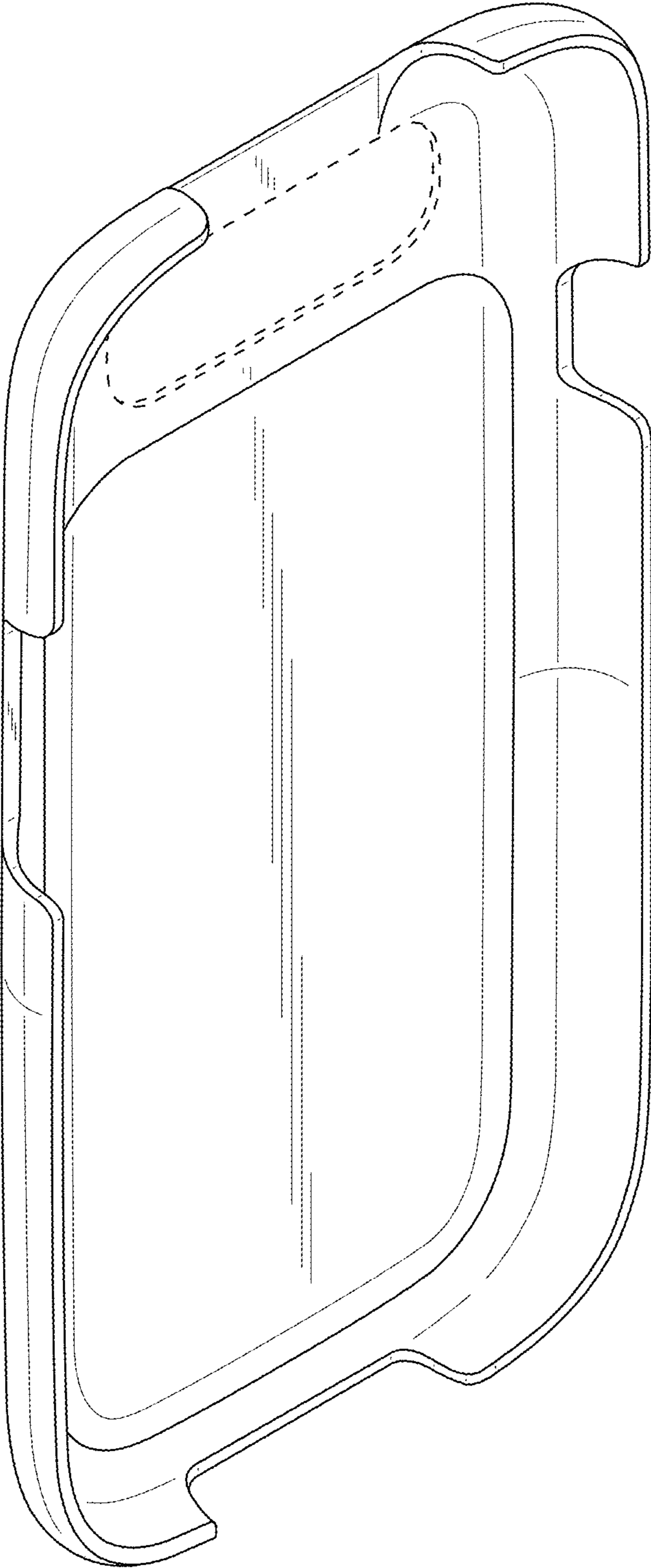


FIG.2

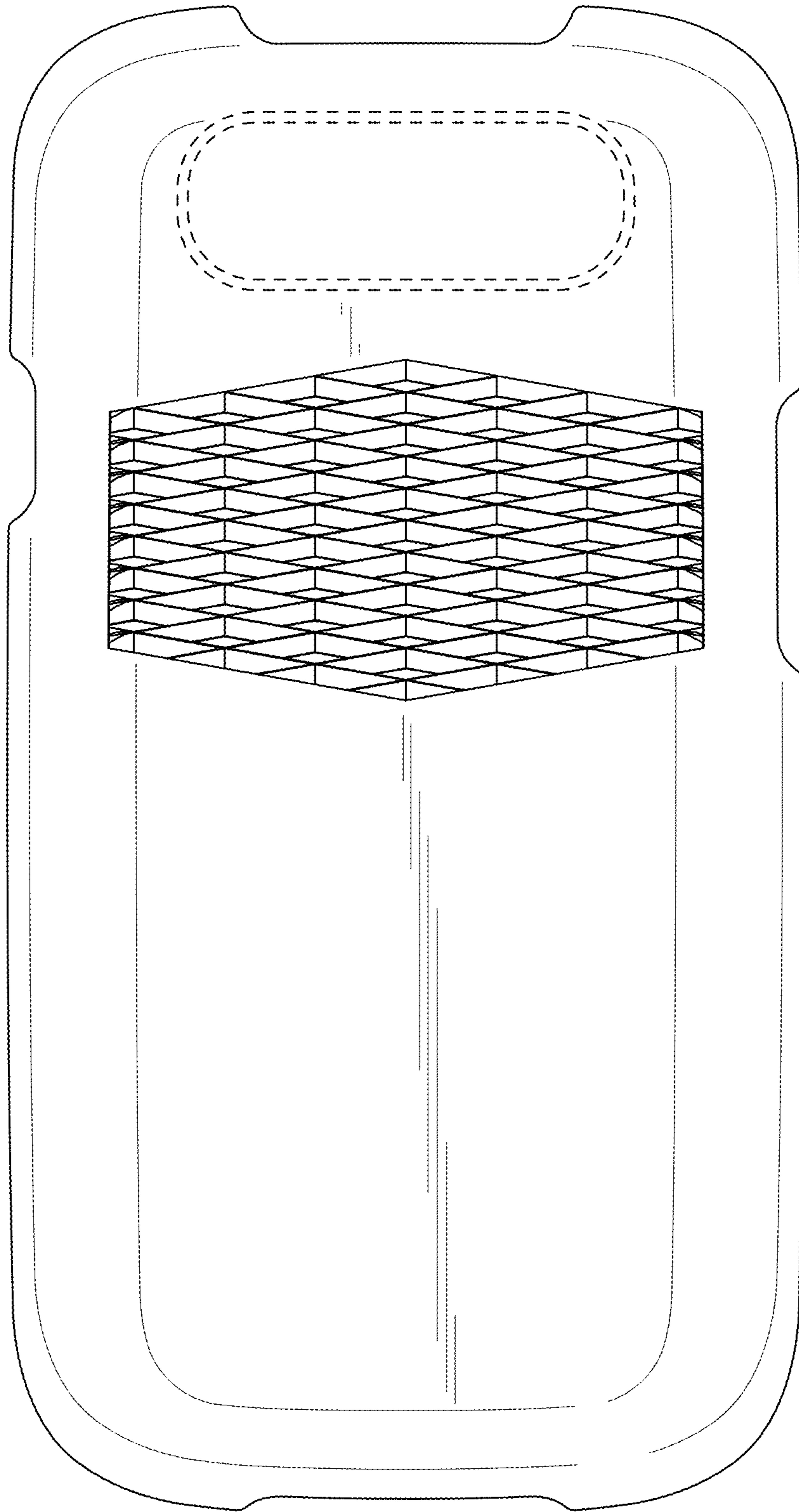


FIG.3

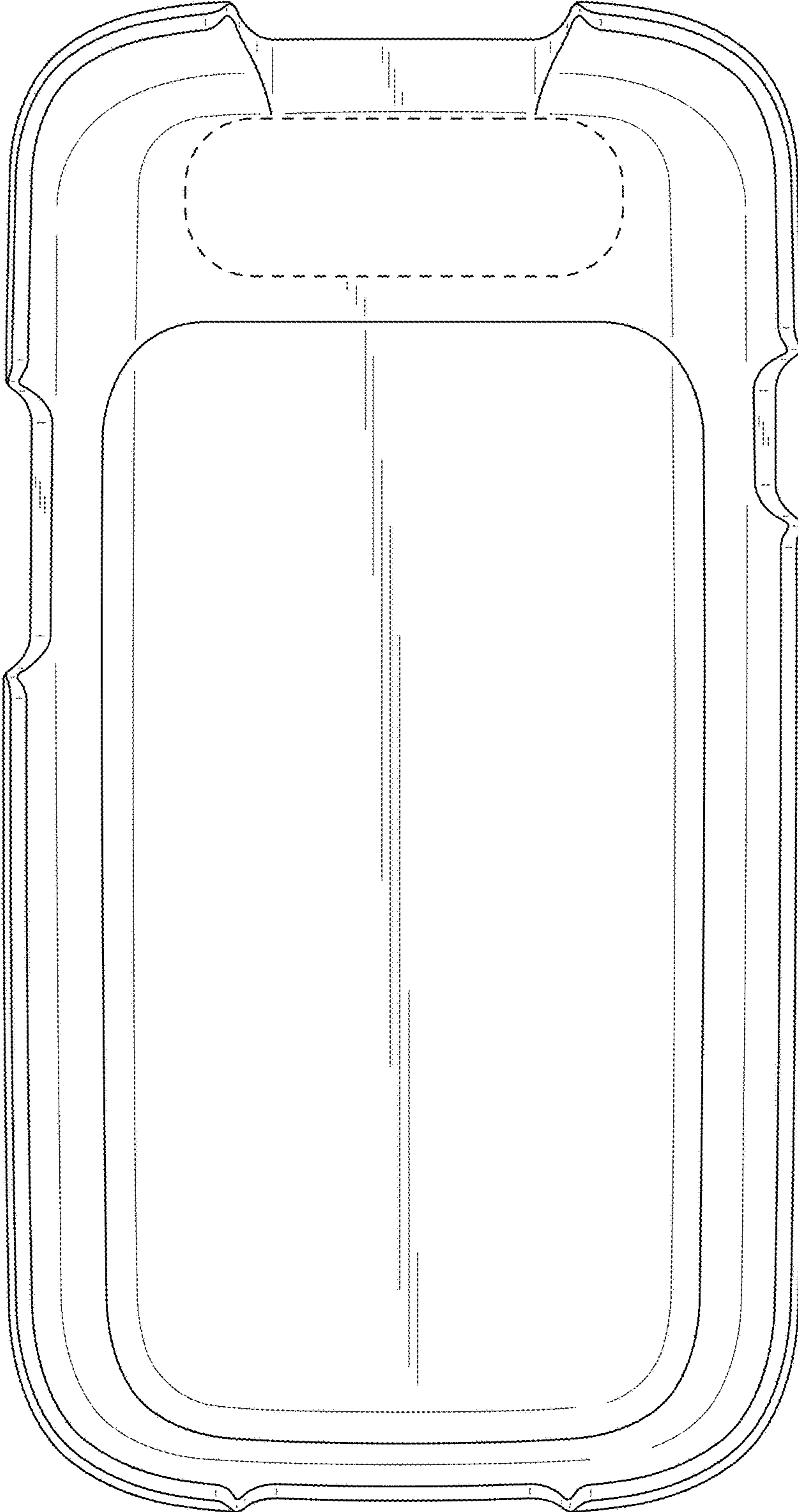


FIG.4

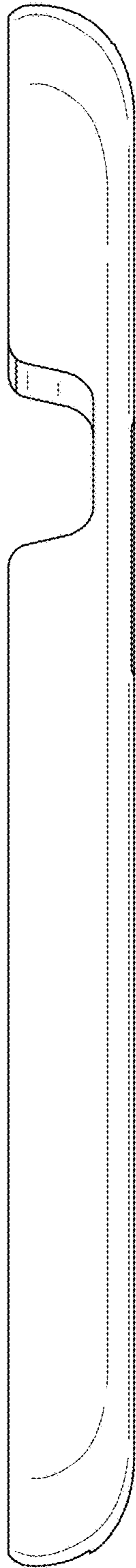


FIG. 5

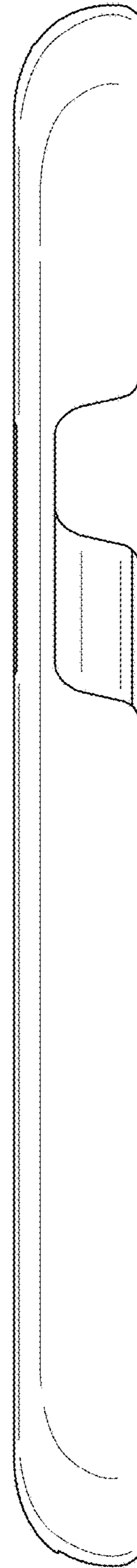


FIG. 6

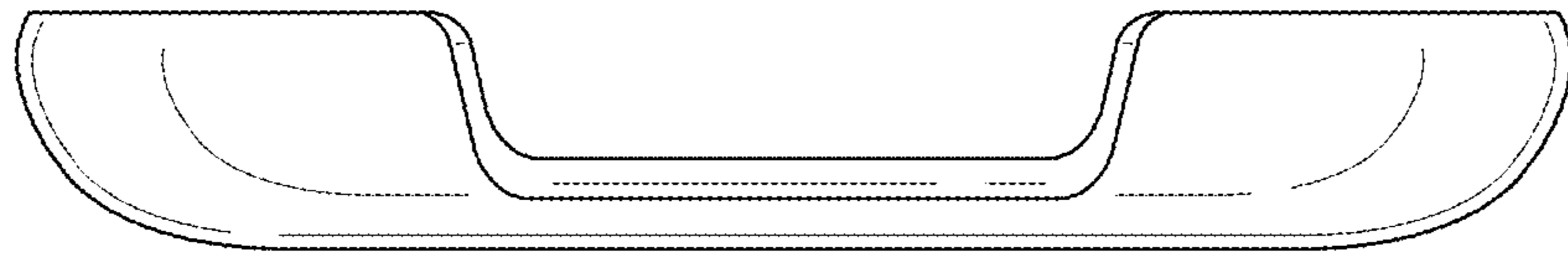


FIG. 7

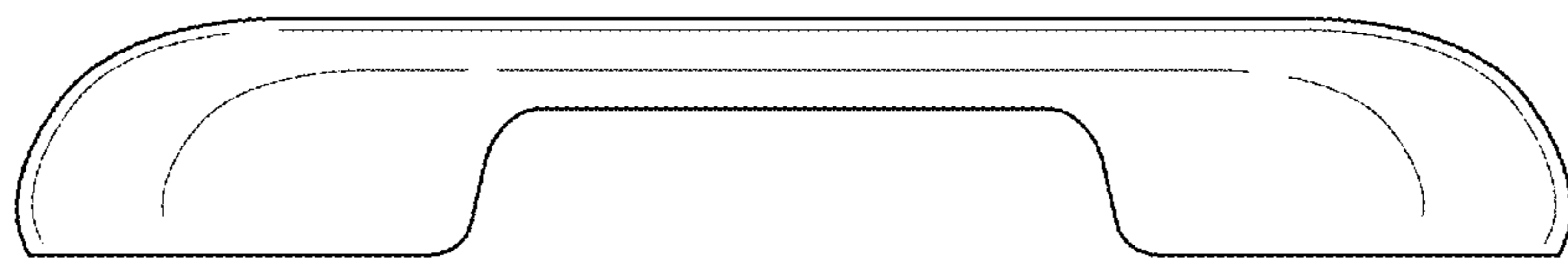


FIG. 8