



US00D782452S

(12) **United States Design Patent**  
**Lee et al.**

(10) **Patent No.:** **US D782,452 S**  
(45) **Date of Patent:** **\*\* Mar. 28, 2017**

(54) **HANDSET**

(71) Applicant: **Microsoft Corporation**, Redmond, WA (US)

(72) Inventors: **Yong Kyou Lee**, Espoo (FI); **Xiaoming Qiang**, Espoo (FI); **Otso Ylönen**, Turku (FI); **Jani Junnila**, Turku (FI)

(73) Assignee: **Microsoft Corporation**, Redmond, WA (US)

(\*\*) Term: **15 Years**

(21) Appl. No.: **29/527,442**

(22) Filed: **May 19, 2015**

(51) **LOC (10) Cl.** ..... **14-03**

(52) **U.S. Cl.**  
USPC ..... **D14/248**; D14/138 C

(58) **Field of Classification Search**  
USPC ..... D14/138 AC, 138 AD, 138 C, 138 G,  
D14/138 R, 203.1, 203.3, 203.7, 248,  
D14/341, 496, 250; D16/200

(Continued)

(56) **References Cited**

**U.S. PATENT DOCUMENTS**

D555,624 S \* 11/2007 Lee ..... D14/138 AA  
D557,235 S \* 12/2007 Kim ..... D14/138 AD  
(Continued)

**OTHER PUBLICATIONS**

Microsoft Lumia 950 Dual SIM pictures, official photos, Dec. 2015, [online], [site visited Nov. 18, 2016]. Retrieved from: <url:http://www.gsmarena.com/microsoft\_lumia\_950\_dual\_sim-pictures-7632.php>.\*

(Continued)

*Primary Examiner* — Jeffrey D Asch

*Assistant Examiner* — Tracey J Bell

(74) *Attorney, Agent, or Firm* — Banner & Witcoff, Ltd.

(57) **CLAIM**

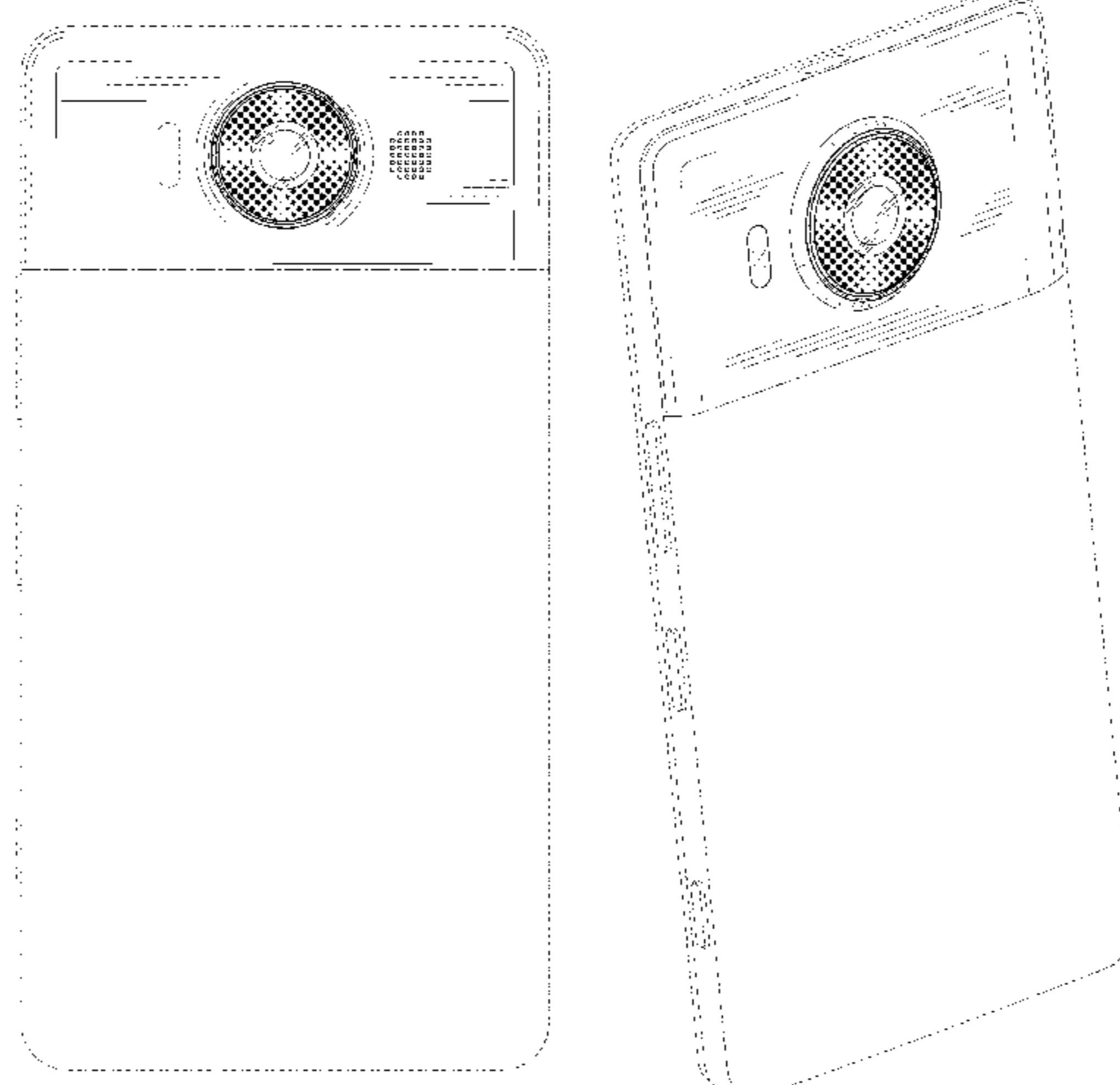
The ornamental design for a handset, as shown and described.

**DESCRIPTION**

FIG. 1 is a perspective rear view of a handset showing our new design;  
FIG. 2 is a rear view thereof;  
FIG. 3 is a right side view thereof;  
FIG. 4 is a left side view thereof;  
FIG. 5 is a top view thereof;  
FIG. 6 is a bottom view thereof;  
FIG. 7 is a front view thereof;  
FIG. 8 is a perspective rear view of an alternative embodiment of a handset showing our new design;  
FIG. 9 is a rear view thereof;  
FIG. 10 is a right side view thereof;  
FIG. 11 is a left side view thereof;  
FIG. 12 is a top view thereof;  
FIG. 13 is a bottom view thereof;  
FIG. 14 is a front view thereof;  
FIG. 15 is a perspective rear view of an alternative embodiment of a handset showing our new design;  
FIG. 16 is a rear view thereof;  
FIG. 17 is a right side view thereof;  
FIG. 18 is a left side view thereof;  
FIG. 19 is a top view thereof;  
FIG. 20 is a bottom view thereof; and,  
FIG. 21 is a front view thereof.

The broken lines shown in the figures that are immediately adjacent to the areas included in the claim and define unshaded regions, and the dot-dash broken lines shown in the figures, represent the bounds of the embodiment in which they are shown. All other broken lines, including those outside of the dot-dash broken line boundary show environment. The broken lines form no part of the embodiment in which they are shown. The gray scale shading shown in the figures represents the appearance of a circular brushed metallic surface.

**1 Claim, 15 Drawing Sheets**



(58) **Field of Classification Search**

CPC .... G06F 1/1626; G06F 1/1652; H04M 1/027;  
 H04M 1/0202; H04M 1/0279; H04M  
 1/0235; H04M 1/0237; H04M 1/0239;  
 H04M 1/0266; H04M 1/0268; H04M  
 1/0295

See application file for complete search history.

(56) **References Cited**

U.S. PATENT DOCUMENTS

D562,298 S \* 2/2008 Yoon ..... D14/138 AD  
 D584,260 S \* 1/2009 Kim ..... D14/138 AB  
 D593,059 S \* 5/2009 Kim ..... D14/138 G  
 D597,054 S \* 7/2009 Park ..... D14/138 G  
 D620,003 S \* 7/2010 Chiang ..... D14/341  
 D697,887 S \* 1/2014 Yin ..... D14/138 G  
 D723,491 S \* 3/2015 Song ..... D14/138 G  
 D729,189 S \* 5/2015 Kangasmaa ..... D14/138 G  
 D730,334 S \* 5/2015 Shin ..... D14/248  
 D735,703 S \* 8/2015 Reivo ..... D14/248  
 D751,523 S \* 3/2016 Min ..... D14/138 G  
 D762,629 S \* 8/2016 Lee ..... D14/248  
 D766,862 S \* 9/2016 Park ..... D14/138 G  
 D770,408 S \* 11/2016 Lee ..... D14/138 G

D771,000 S \* 11/2016 Park ..... D14/138 G  
 D771,001 S \* 11/2016 Reivo ..... D14/138 G  
 D771,026 S \* 11/2016 Min ..... D14/138 C  
 9,495,608 B2 \* 11/2016 Wang ..... G06K 9/4652

OTHER PUBLICATIONS

Motorola Moto Z Play pictures, official photos, Sep. 2016, [online], [site visited Nov. 21, 2016]. Retrieved from: <url:http://www.gsmarena.com/motorola\_moto\_z\_play-pictures-8310.php>.\*  
 ZTE Vital N9810 pictures, official photos, Jun. 2016, [online], [site visited Nov. 22, 2016]. Retrieved from: <url:http://www.gsmarena.com/zte\_vital\_n9810-pictures-5511.php>.\*  
 Nokia Lumia 530, announced Jul. 2014 [online], [retrieved on Jan. 12, 2014]. retrieved from Internet <URL: http://www.gsmarena.com/nokia\_lumia\_530-pictures-6523.php>.  
 Nokia Lumia 830, announced Sep. 2014 [online], [retrieved on Jan. 12, 2014]. retrieved from Internet <URL: http://www.gsmarena.com/nokia\_lumia\_830-pictures-6638.php>.  
 Nokia Lumia 925 telephone, announced May 2013, [online], [Retrieved on Mar. 19, 2015]. Available from Internet, <URL: http://www.gsmarena.com/nokia\_lumia\_925-5451.php>.

\* cited by examiner

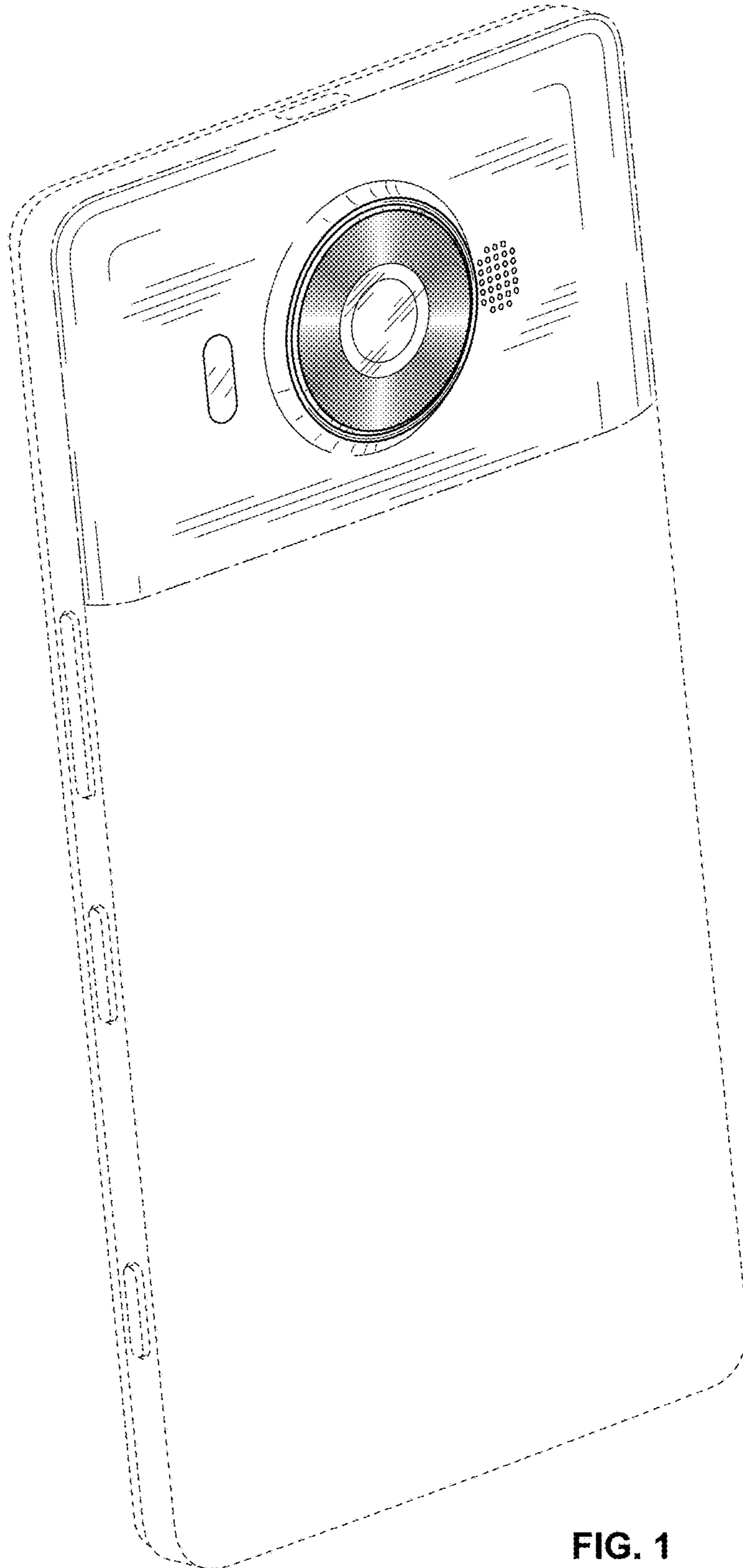




FIG. 2

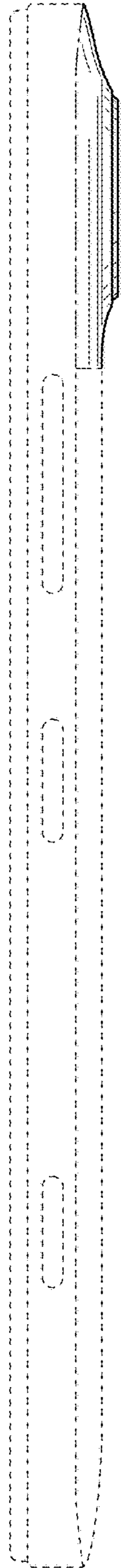


FIG. 3

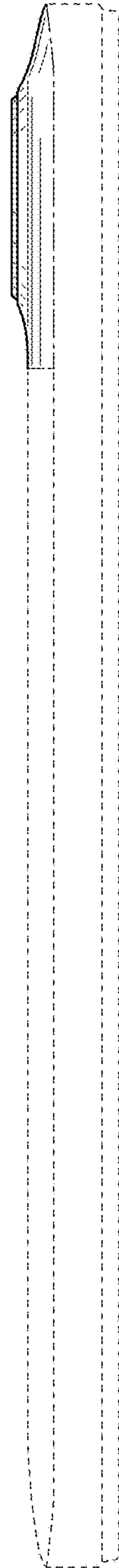


FIG. 4

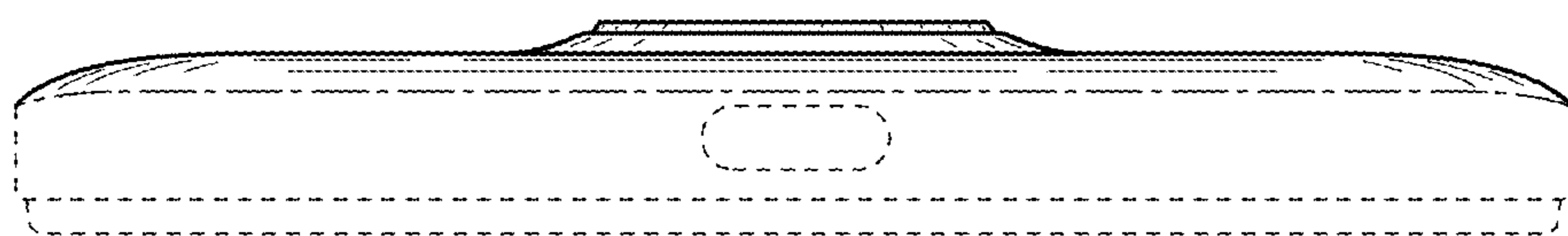


FIG. 5

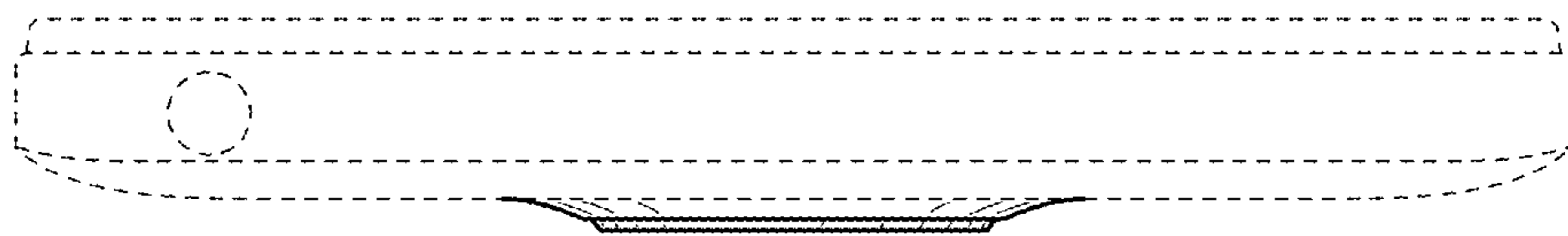


FIG. 6

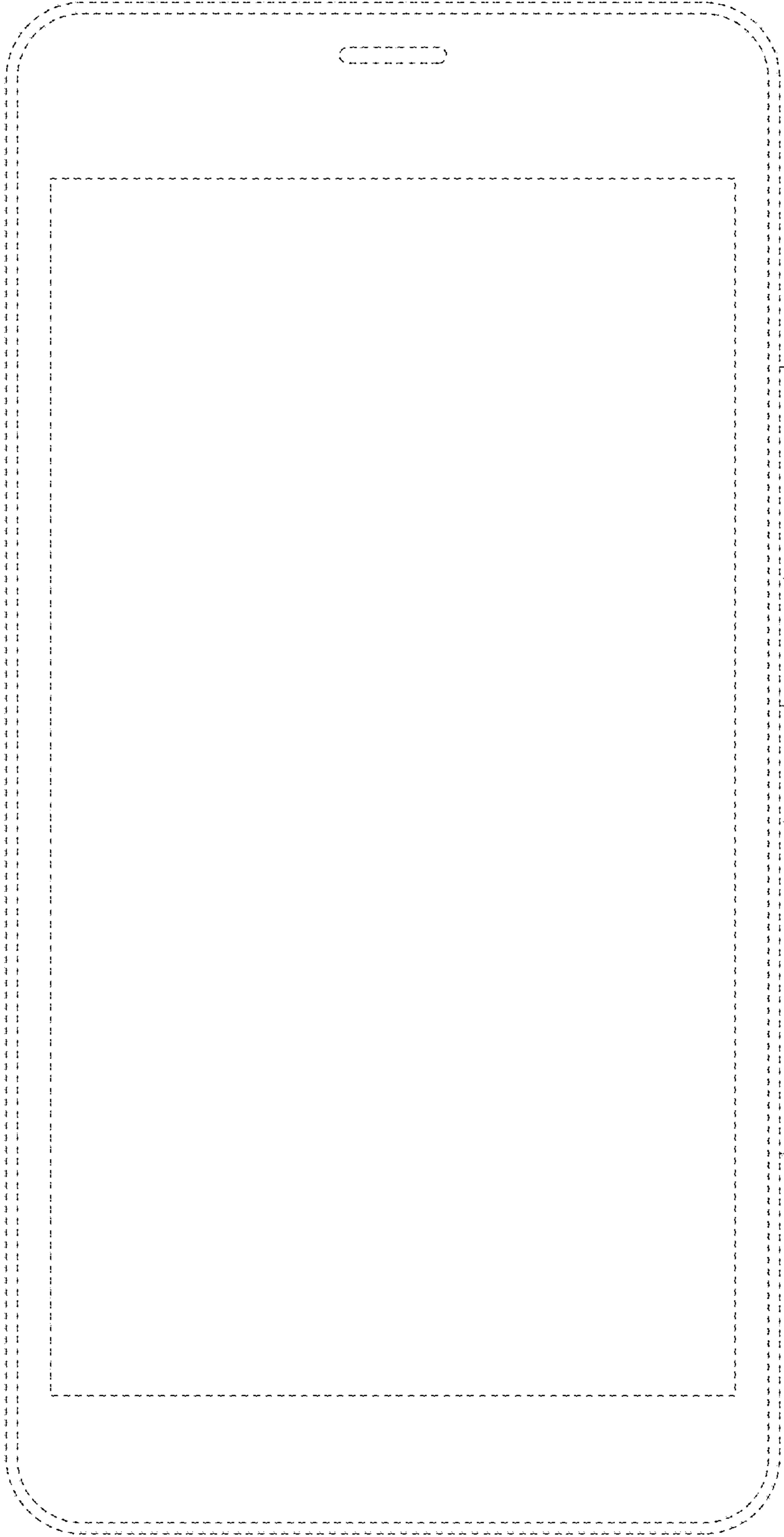


FIG. 7

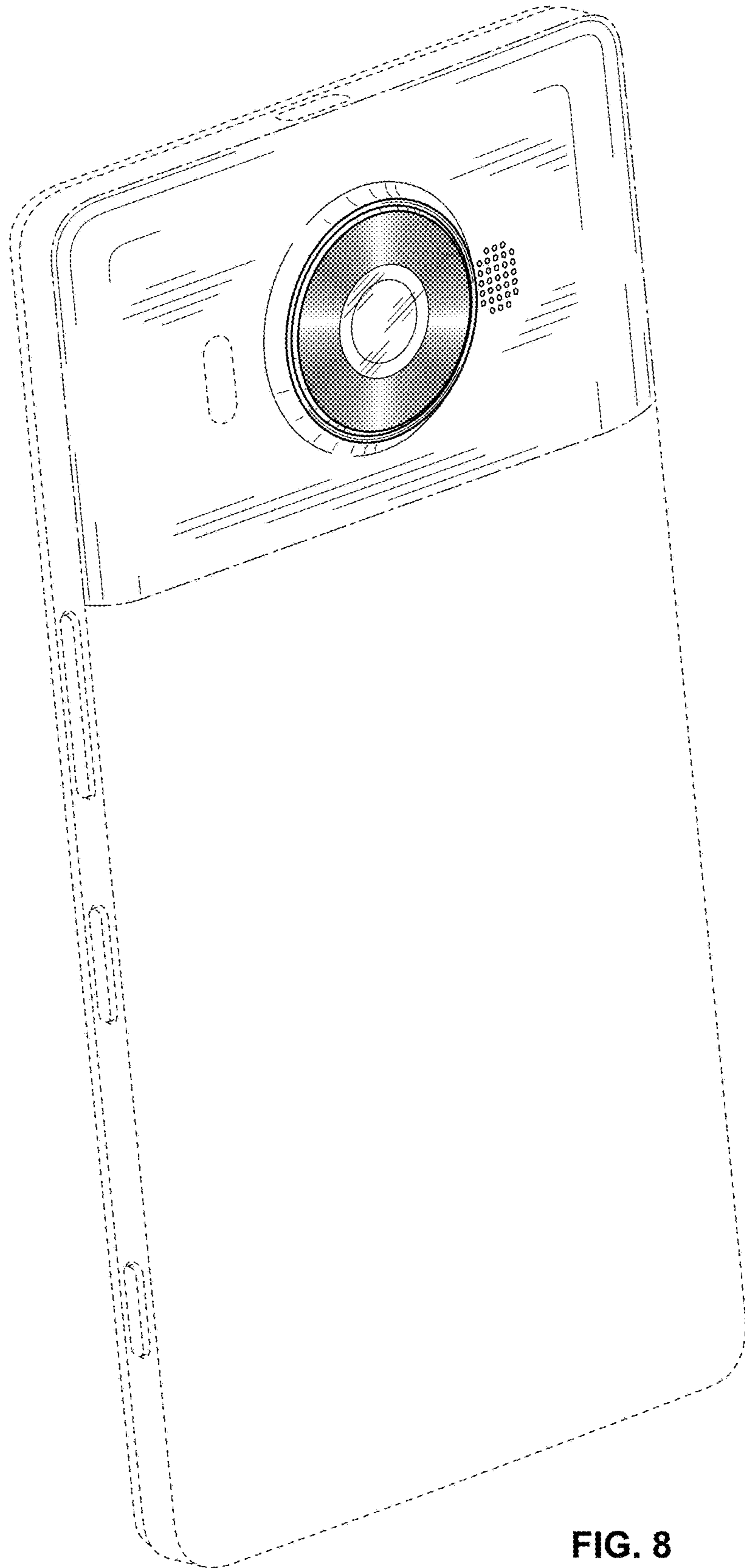


FIG. 8



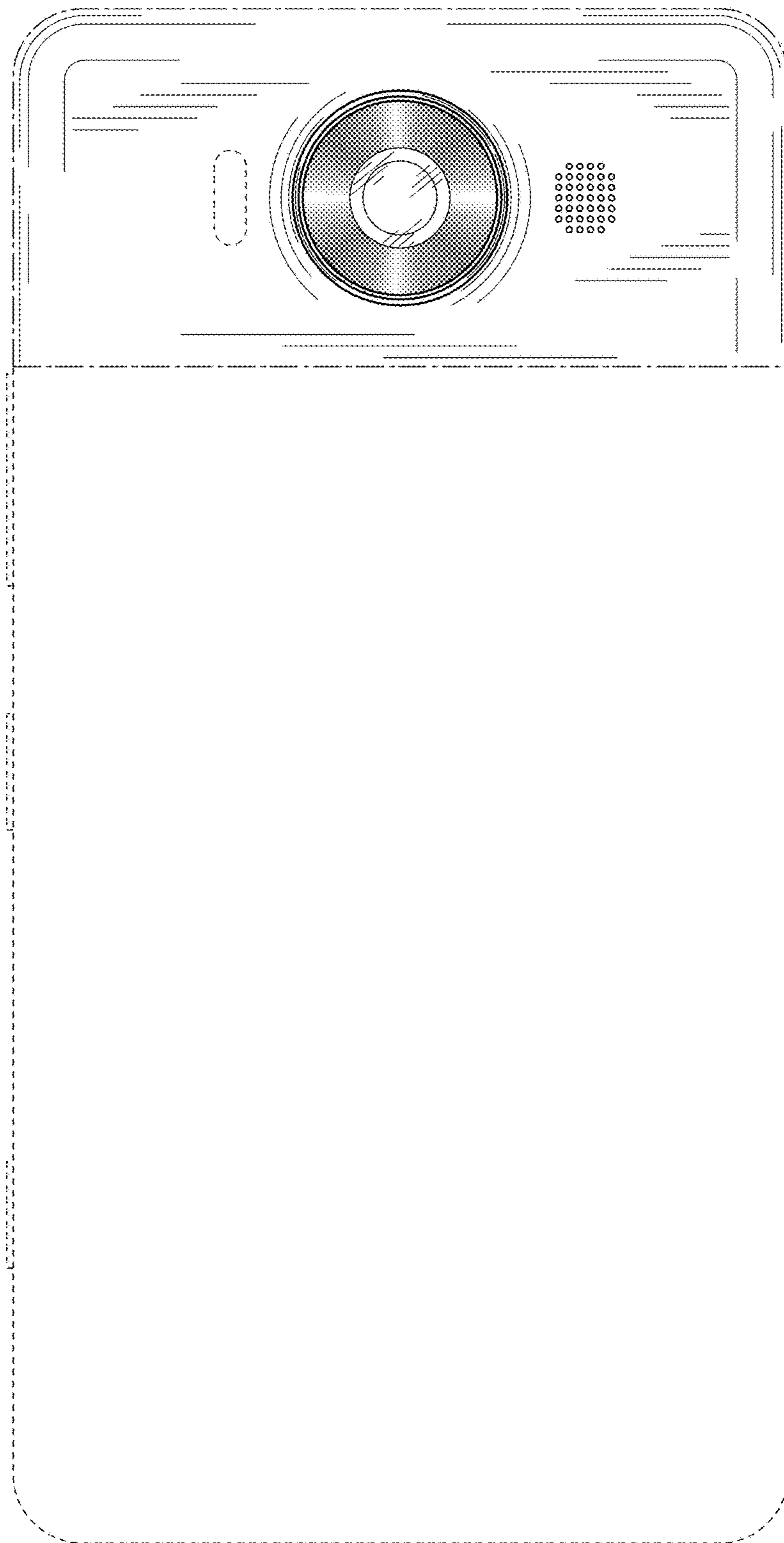


FIG. 9

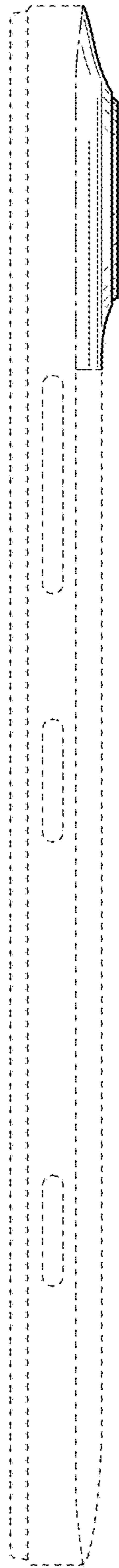


FIG. 10

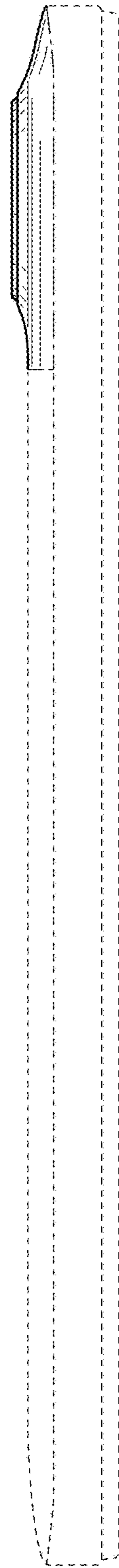


FIG. 11

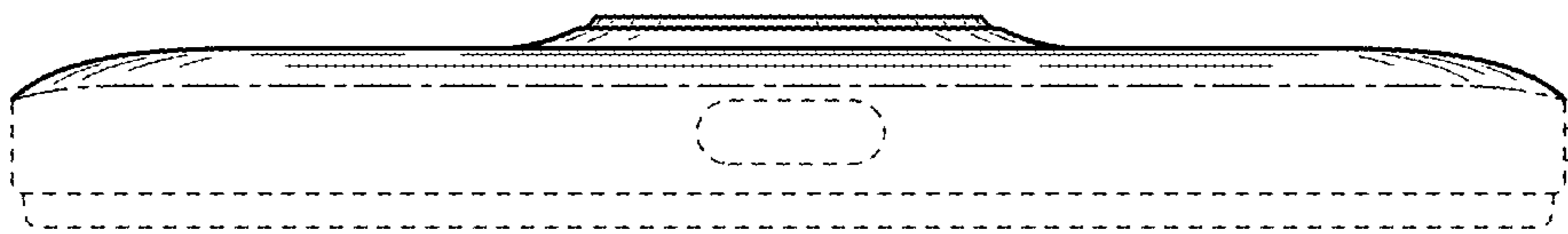


FIG. 12

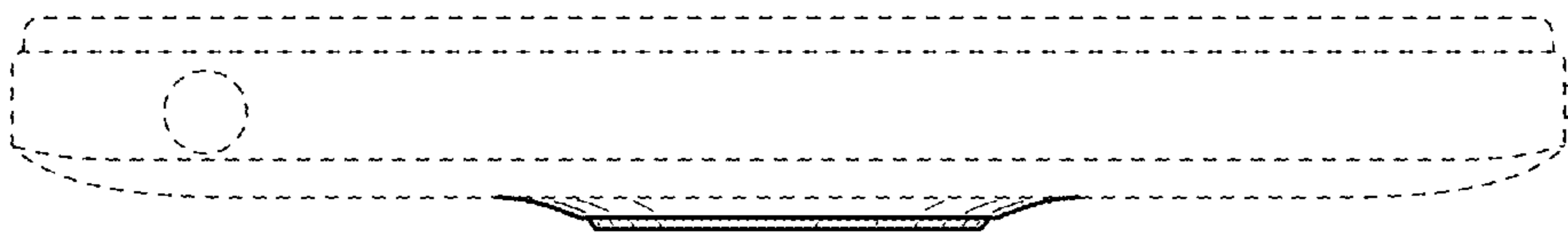


FIG. 13



FIG. 14

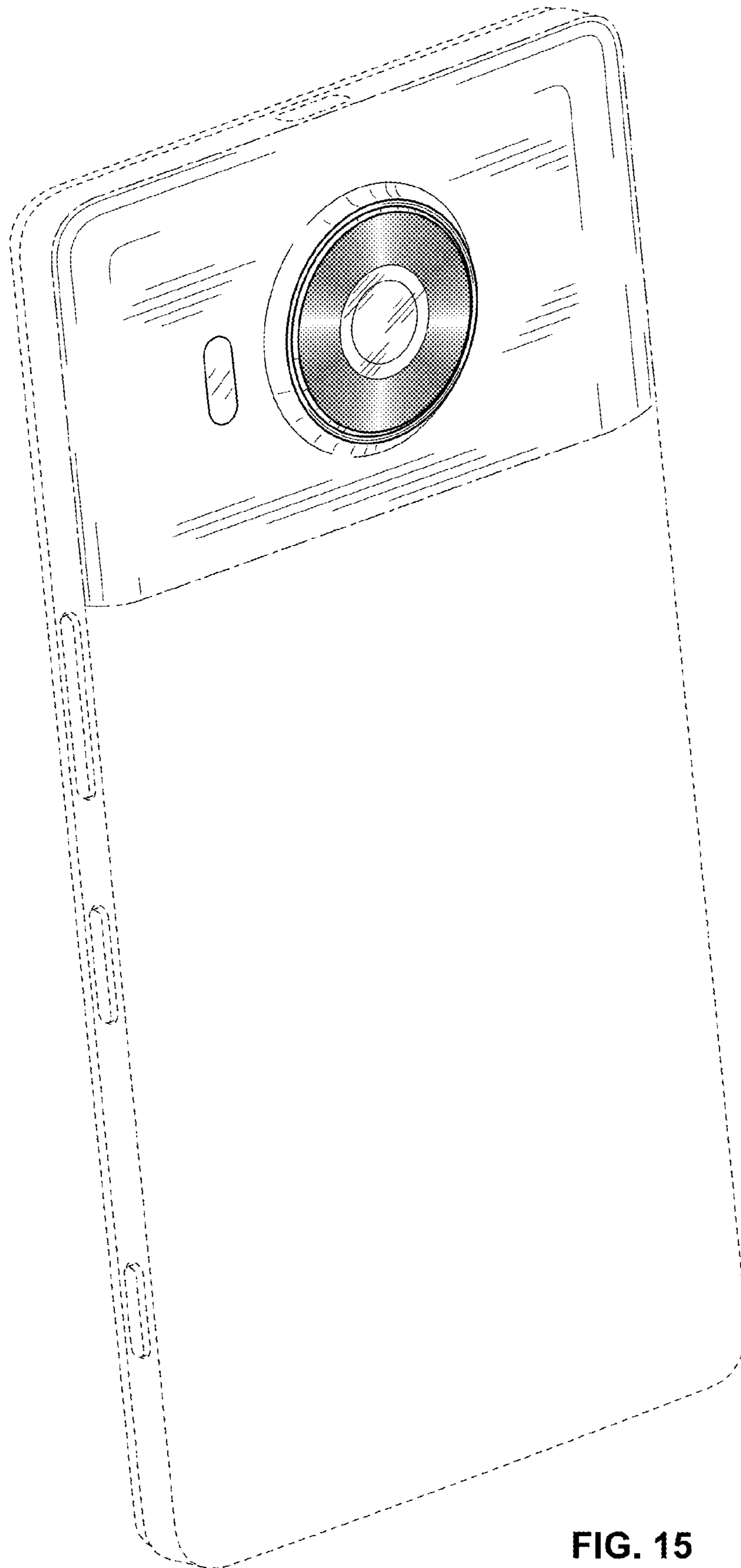


FIG. 15



FIG. 16

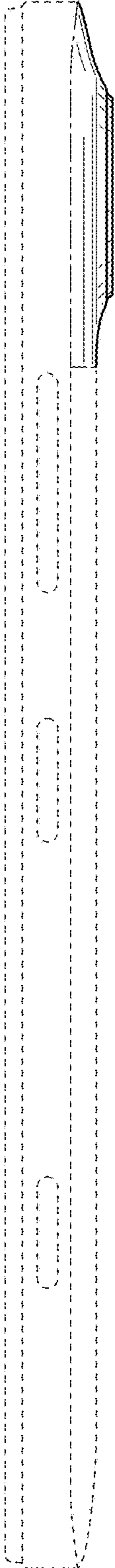


FIG. 17

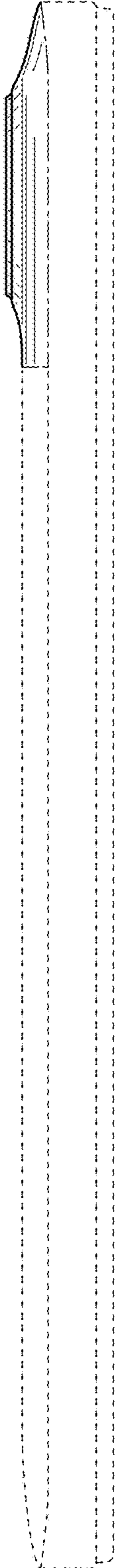


FIG. 18

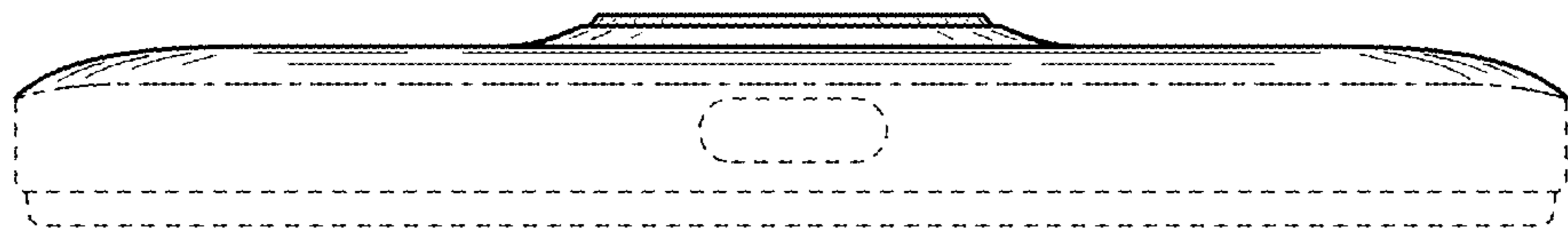


FIG. 19

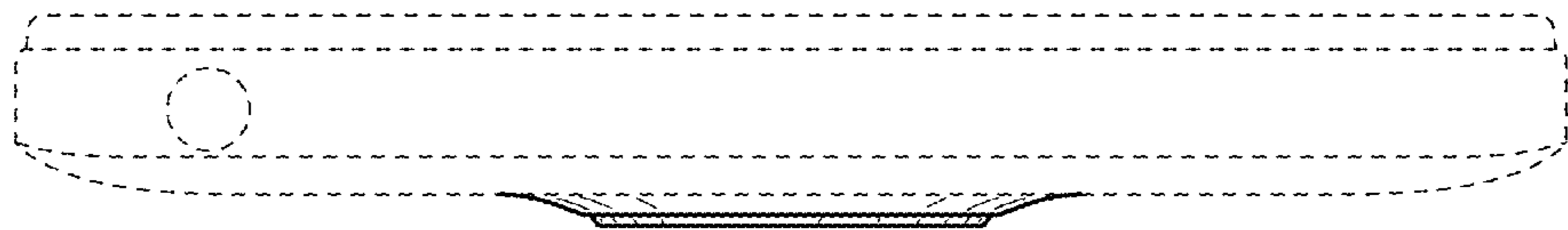


FIG. 20





FIG. 21