



US00D782449S

(12) **United States Design Patent**  
**Bian et al.**

(10) **Patent No.:** **US D782,449 S**  
(45) **Date of Patent:** **\*\* Mar. 28, 2017**

(54) **ANTENNA MOUNTING FRAME**  
(71) Applicant: **Airgain, Incorporated**, San Diego, CA (US)  
(72) Inventors: **Xiangjie Bian**, Zhang Jia Gang (CN); **Geoff Schulteis**, San Diego, CA (US); **Inan Chuang**, Zhang Jia Gang (CN)  
(73) Assignee: **Alrgain Incorporated**, San Diego, CA (US)

D415,497 S \* 10/1999 Seifert ..... D14/238  
7,108,519 B2 \* 9/2006 Tomikawa ..... H01R 13/6658  
439/76.2  
8,264,415 B2 \* 9/2012 Winkler ..... G08C 17/02  
343/702  
D734,190 S \* 7/2015 Abdul-Hadi ..... D10/103  
2006/0030173 A1 \* 2/2006 Kawakita ..... H01R 12/716  
439/76.1  
2008/0084355 A1 \* 4/2008 Kuraoka ..... H01Q 1/242  
343/702  
2008/0100528 A1 \* 5/2008 Noro ..... H01Q 1/3291  
343/872

(\*\*) Term: **15 Years**

\* cited by examiner

(21) Appl. No.: **29/535,640**

*Primary Examiner* — George D Kirschbaum

(22) Filed: **Aug. 7, 2015**

*Assistant Examiner* — Joseph Kukella

(51) **LOC (10) Cl.** ..... **14-03**

(74) *Attorney, Agent, or Firm* — Clause Eight IPS;  
Michael Catania

(52) **U.S. Cl.**

USPC ..... **D14/238**

(58) **Field of Classification Search**

USPC ... D14/230, 234, 236, 238, 238.1, 299, 358,  
D14/433, 496; D8/349, 353, 354, 363,  
D8/373, 380, 381; D10/103; D13/123,  
D13/133

CPC ..... H01Q 3/44; H01Q 1/366; H01Q 1/243;  
H01Q 1/02; H01Q 1/28; H01Q 1/42;  
G01D 4/00-4/18

See application file for complete search history.

(57) **CLAIM**

The ornamental design for an antenna mounting frame, as shown and described.

**DESCRIPTION**

FIG. 1 is a top perspective view of our antenna mounting frame.

FIG. 2 is a top plan view of the antenna mounting frame of FIG. 1.

FIG. 3 is a front elevation view of the antenna mounting frame of FIG. 1; and,

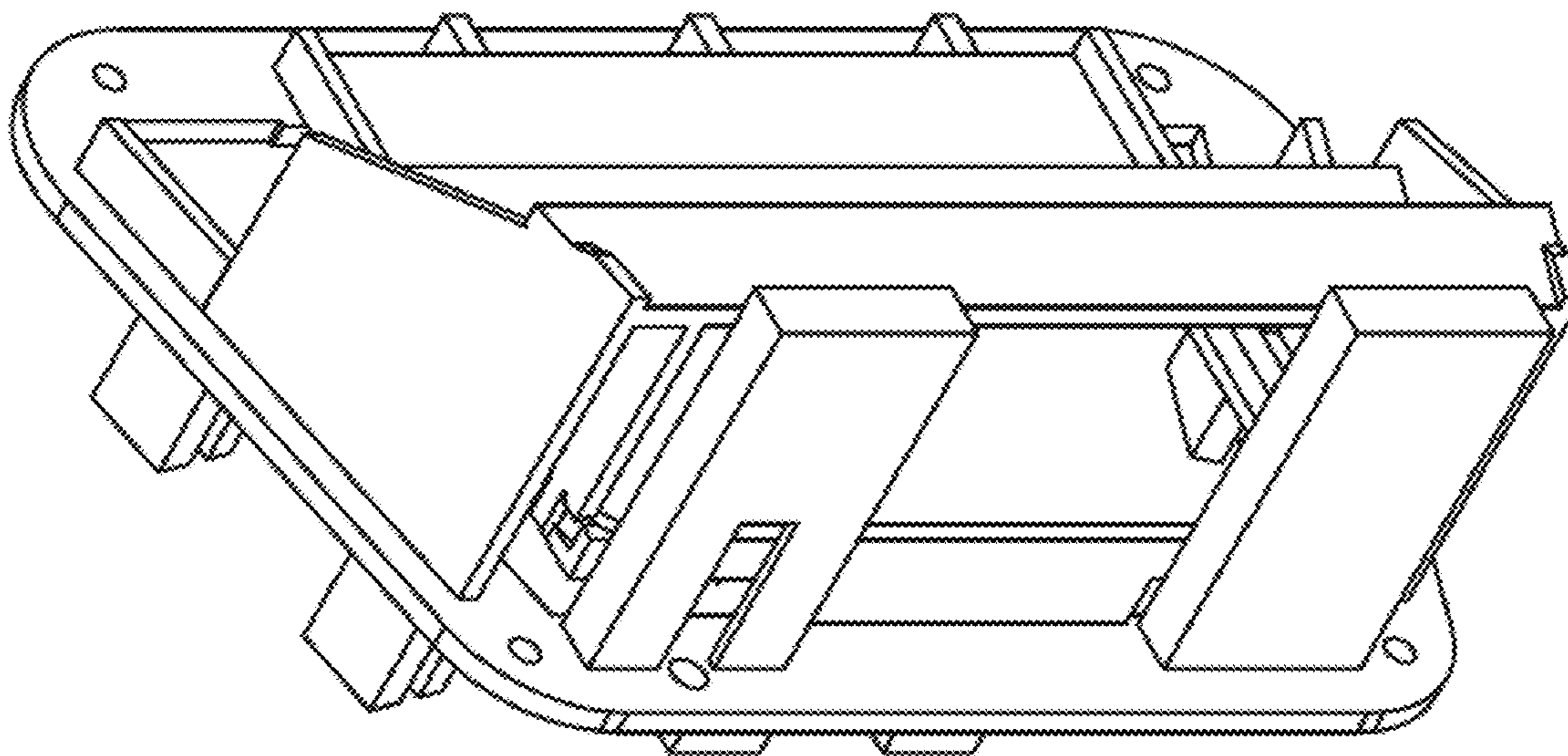
FIG. 4 is a side elevation view of the antenna mounting frame of FIG. 1.

(56) **References Cited**

U.S. PATENT DOCUMENTS

D242,766 S \* 12/1976 Neece ..... D12/223  
5,519,387 A \* 5/1996 Besier ..... G01R 11/04  
324/142

**1 Claim, 4 Drawing Sheets**



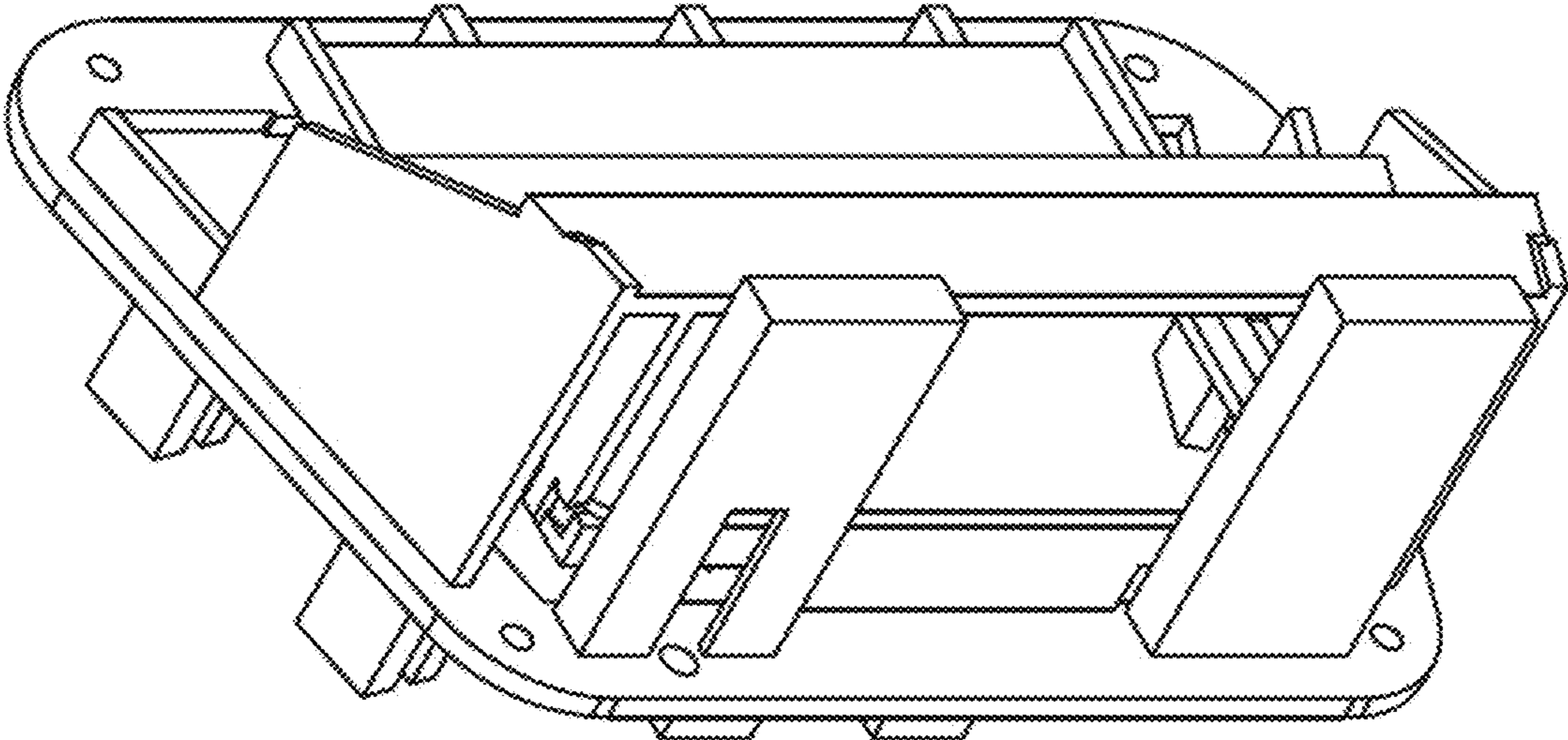


FIG. 1

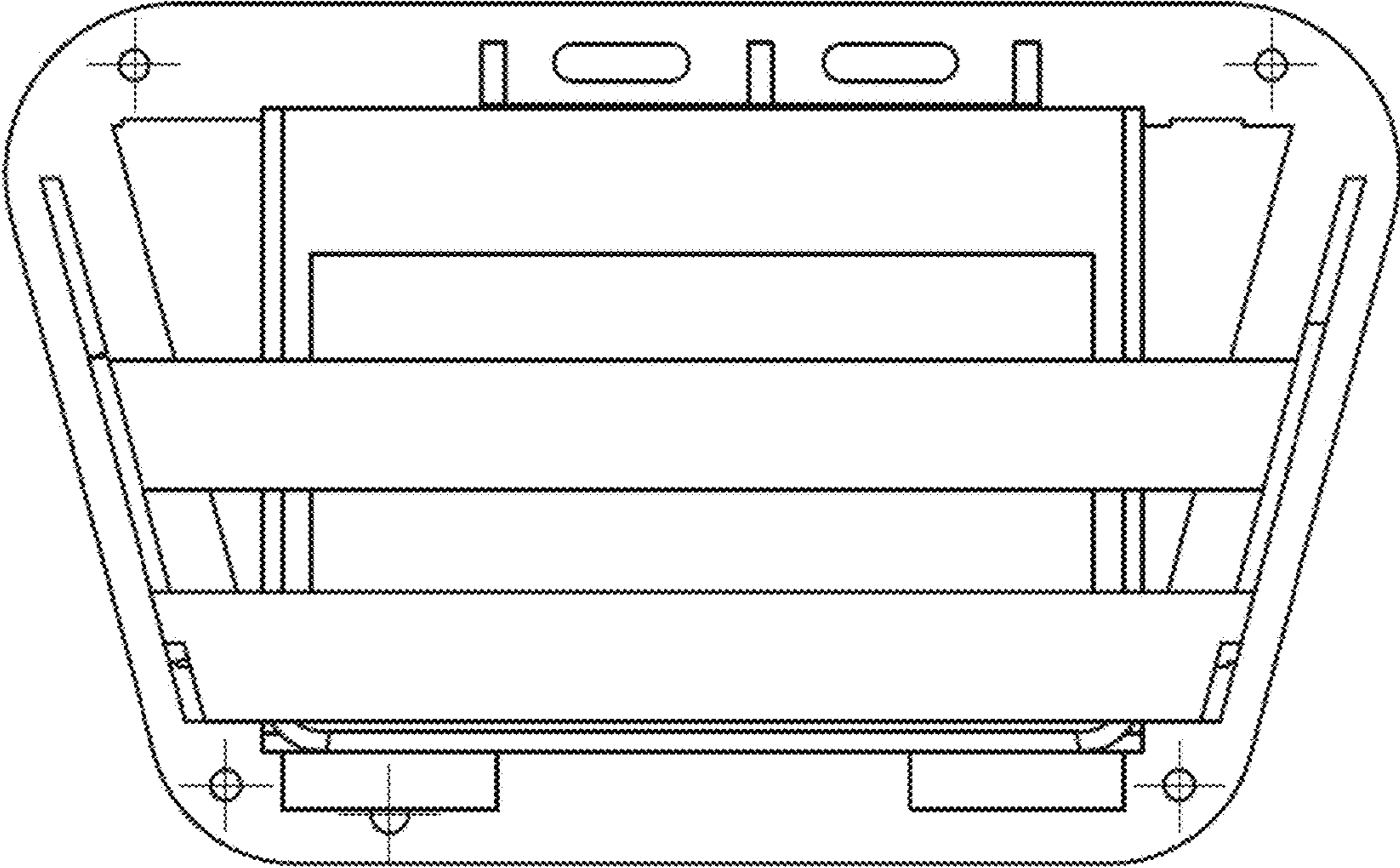


FIG. 2

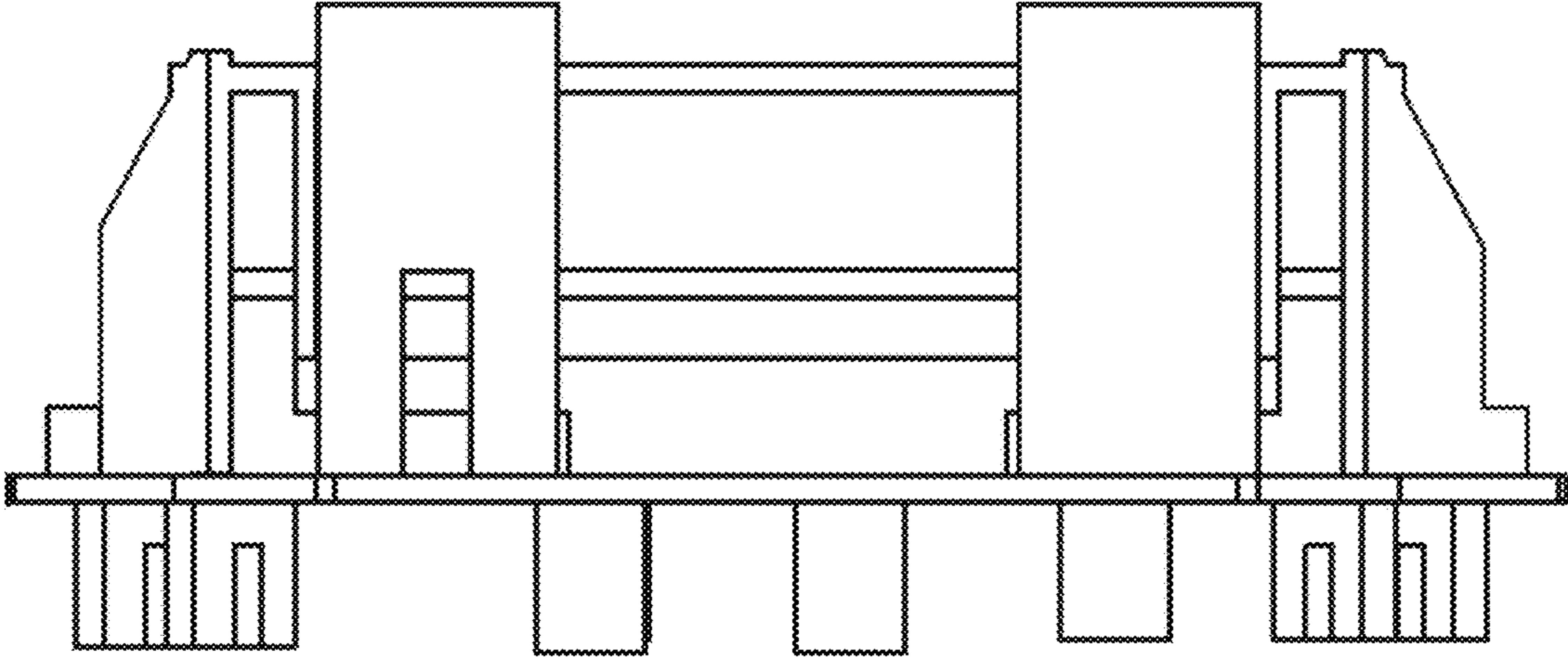


FIG. 3

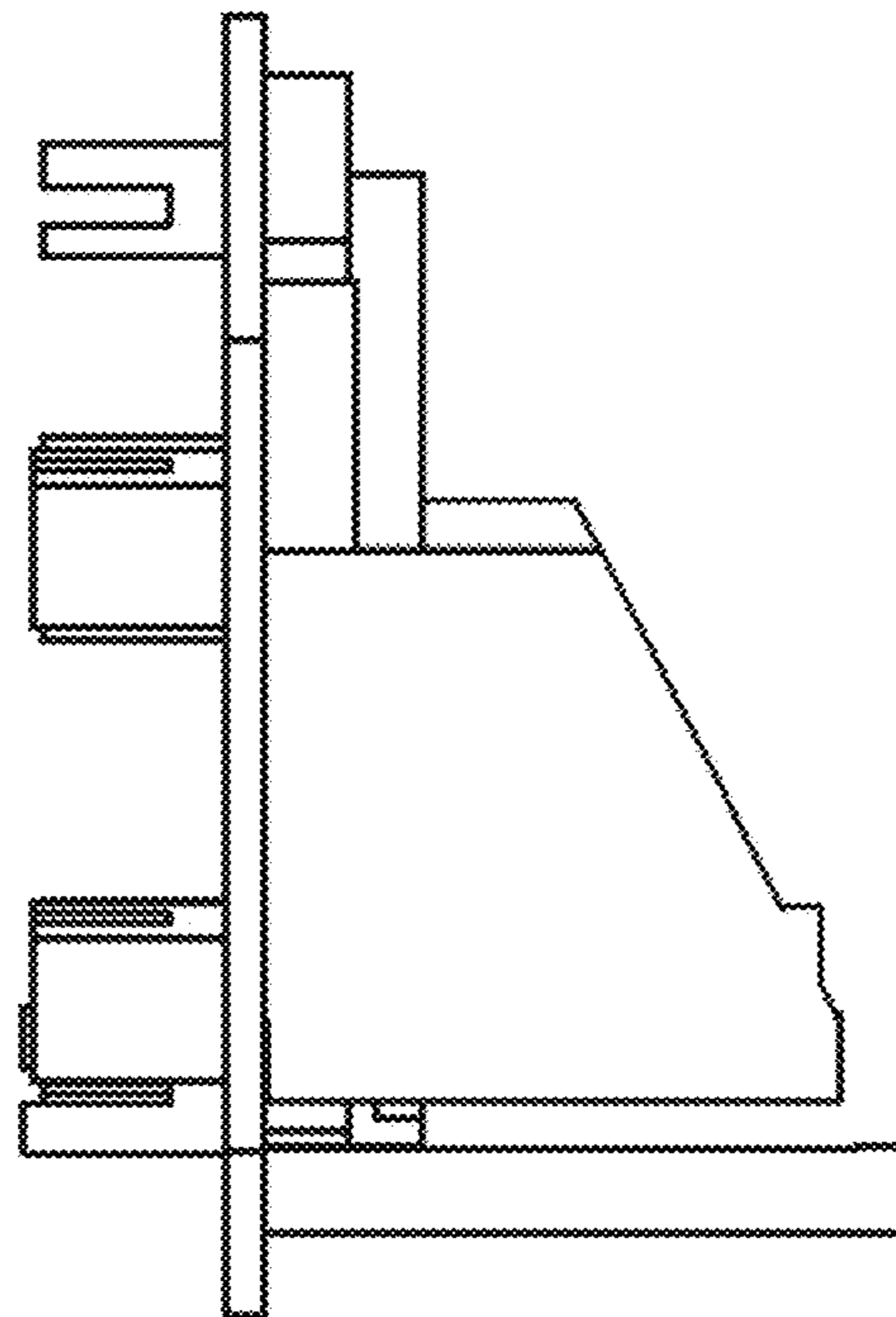


FIG. 4