



US00D782446S

(12) **United States Design Patent** (10) **Patent No.:** **US D782,446 S**  
**Thao et al.** (45) **Date of Patent:** **\*\* Mar. 28, 2017**

(54) **HOLDER FOR ELECTRONIC DEVICE**

FOREIGN PATENT DOCUMENTS

(71) Applicant: **3M INNOVATIVE PROPERTIES COMPANY**, St. Paul, MN (US)

CN 102096451 6/2011  
CN 202008621 10/2011

(Continued)

(72) Inventors: **Fusu Thao**, Cottage Grove, MN (US);  
**Glendon D. Kappel**, Eagan, MN (US);  
**Sharon Zenk**, Hudson, WI (US); **Todd W. Deckard**, Chanhassen, MN (US);  
**Paul A. Sevcik**, White Bear Township, MN (US)

OTHER PUBLICATIONS

See CAD/CAM Dentistry in a Whole New Light, Planmeca PlanScan® Ultra-fast intraoral scanner for open CAD/CAM, [retrieved from the internet Jan. 2016], 12 pages.

(Continued)

(73) Assignee: **3M INNOVATIVE PROPERTIES COMPANY**, Saint Paul, MN (US)

*Primary Examiner* — Brandon M Rosati

*Assistant Examiner* — Khawaja Anwar

(\*\*) Term: **15 Years**

(57) **CLAIM**

(21) Appl. No.: **29/552,222**

The ornamental design for a holder for electronic device, as shown and described.

(22) Filed: **Jan. 21, 2016**

(51) **LOC (10) Cl.** ..... **14-03**

(52) **U.S. Cl.**

USPC ..... **D14/217**; D14/432

(58) **Field of Classification Search**

USPC ..... D14/217, 299, 447, 432-434, 250-253;  
D21/333, 332

CPC ..... G06F 2200/1633; G06F 1/1628; G06F 1/1626; G06F 1/1632; G06F 8/65; G06F 8/66; G06F 8/665; G06F 8/71; G06F 9/4401; G06F 1/1616; G06F 1/1662; G06F 1/1669; G06F 1/1681; G06F 1/203; G06F 3/0202;

(Continued)

**DESCRIPTION**

FIG. 1 is a perspective view of the new design for a holder for electronic device such as a notebook or tablet computer; FIG. 2 is a perspective view thereof, showing the holder with a tablet computer in use in a first configuration; FIG. 3 is a perspective view thereof, showing the holder with a tablet computer in use in a second configuration; FIG. 4 is a front view thereof; FIG. 5 is a rear view thereof; FIG. 6 is a left side view thereof; FIG. 7 is a right side view thereof; FIG. 8 is a top view thereof; and, FIG. 9 is a bottom view thereof.

The claim is directed to the collective appearance of the components of the holder shown. Broken lines are used to show a tablet computer and a bracket for mounting it that form no part of the claimed design.

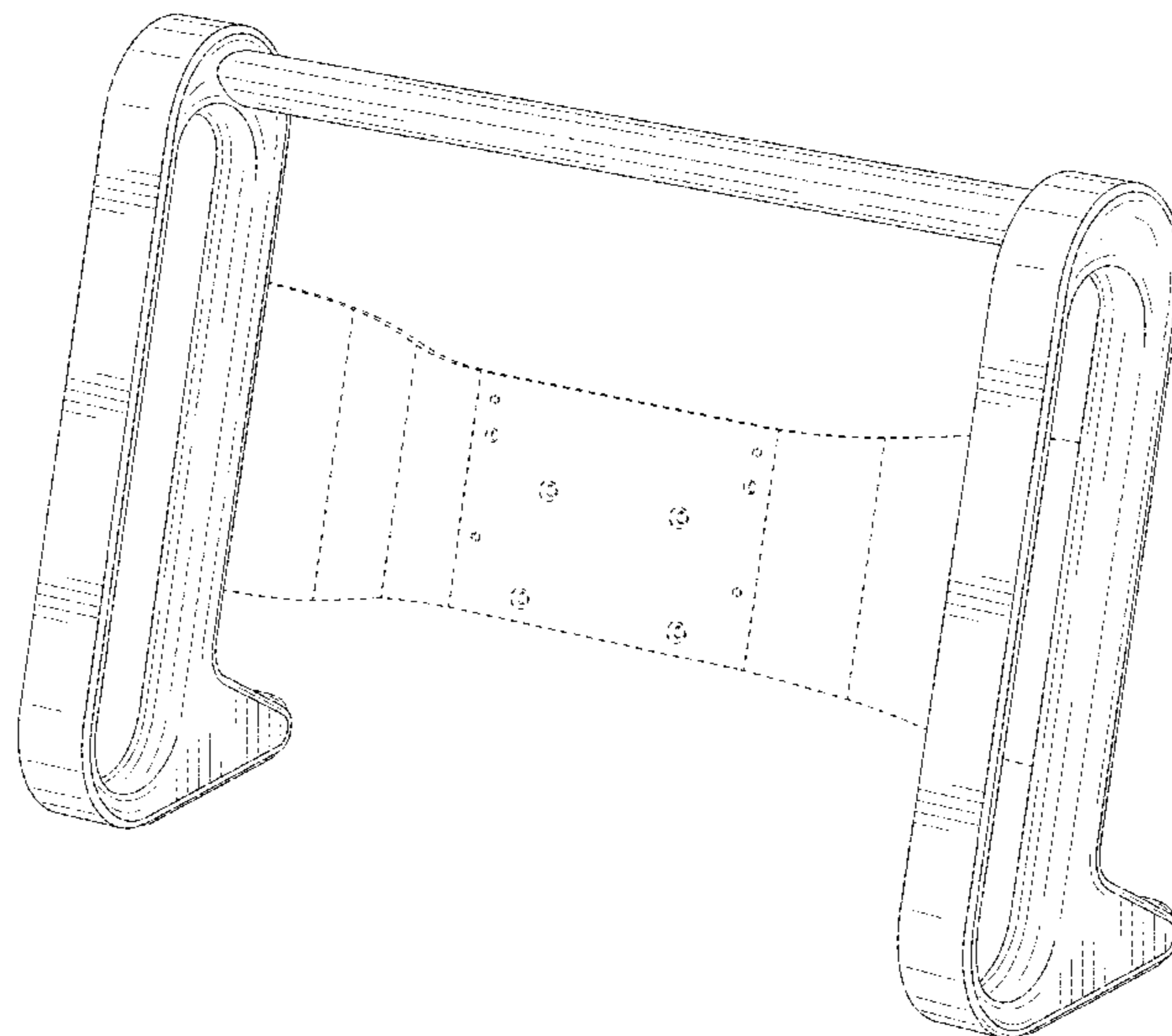
(56) **References Cited**

U.S. PATENT DOCUMENTS

4,402,481 A 9/1983 Sasaki  
D596,187 S \* 7/2009 Martell ..... D14/447

(Continued)

**1 Claim, 6 Drawing Sheets**



(58) **Field of Classification Search**

CPC .... G06F 3/041; G06F 17/2247; G06F 1/1624;  
 G06F 1/163; G06F 1/1635; G06F 1/1637;  
 G06F 1/1643; G06F 1/1654; G06F  
 1/1656; G06F 1/166; G06F 1/1664; G06F  
 1/1667; G06F 1/1675; G06F 1/1679;  
 G06F 1/181; G06F 1/20; G06F 1/26;  
 G06F 21/35; G06F 2200/1639; G06F  
 2203/04102; G06F 2203/04103; G06F  
 3/02; G06F 3/0205; G06F 3/0208; G06F  
 3/0216; G06F 3/0233; G06F 3/0235;  
 G06F 3/0418; G06F 3/0425; G06F 3/043;  
 G06F 3/0433; G06F 3/044; G06F  
 3/04892

See application file for complete search history.

(56) **References Cited**

U.S. PATENT DOCUMENTS

D669,482	S *	10/2012	Hu	.....	D14/447
D671,950	S *	12/2012	Richter	.....	D14/447
D689,500	S *	9/2013	Faulk	.....	D14/447
D692,900	S	11/2013	Kovacs		
8,900,009	B2	12/2014	Hornick et al.		
D742,386	S *	11/2015	Rost	.....	D14/447
D754,135	S *	4/2016	Cromack	.....	D14/447
D765,651	S *	9/2016	Liu	.....	D14/253
D769,247	S *	10/2016	Heyen	.....	D14/447
D771,052	S *	11/2016	Zheng	.....	D14/434
D772,883	S *	11/2016	Sun	.....	D14/447
2005/0088812	A1	4/2005	Hillman et al.		
2005/0247845	A1	11/2005	Li et al.		

2008/0064001	A1	3/2008	Dorfman et al.
2008/0169401	A1	7/2008	Fryer
2012/0305733	A1	12/2012	Vogel et al.
2013/0068915	A1	3/2013	Yang

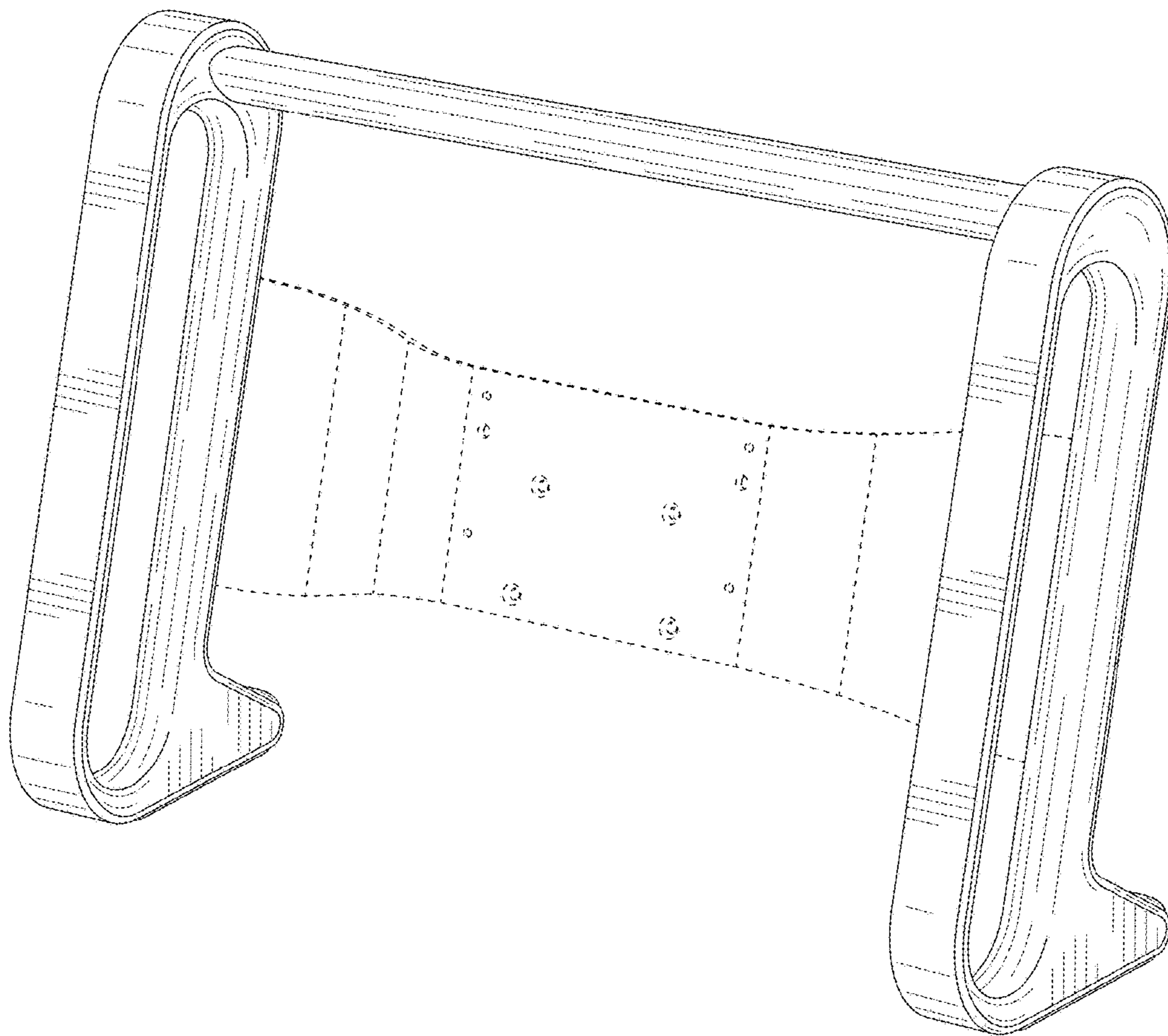
FOREIGN PATENT DOCUMENTS

CN	202203617	4/2012
CN	202834617	3/2013
CN	202834632	3/2013
CN	202868234	4/2013
CN	202901740	4/2013
CN	203615024	5/2014
CN	203671176	6/2014
CN	104565724	4/2015
DE	10201118740	4/2013
GB	2518201	3/2015
WO	WO 2012-094069	7/2012
WO	WO 2013/074626	5/2013
WO	WO 2013-133461	9/2013
WO	WO 2013/138641	9/2013
WO	WO 2014/145748	9/2014

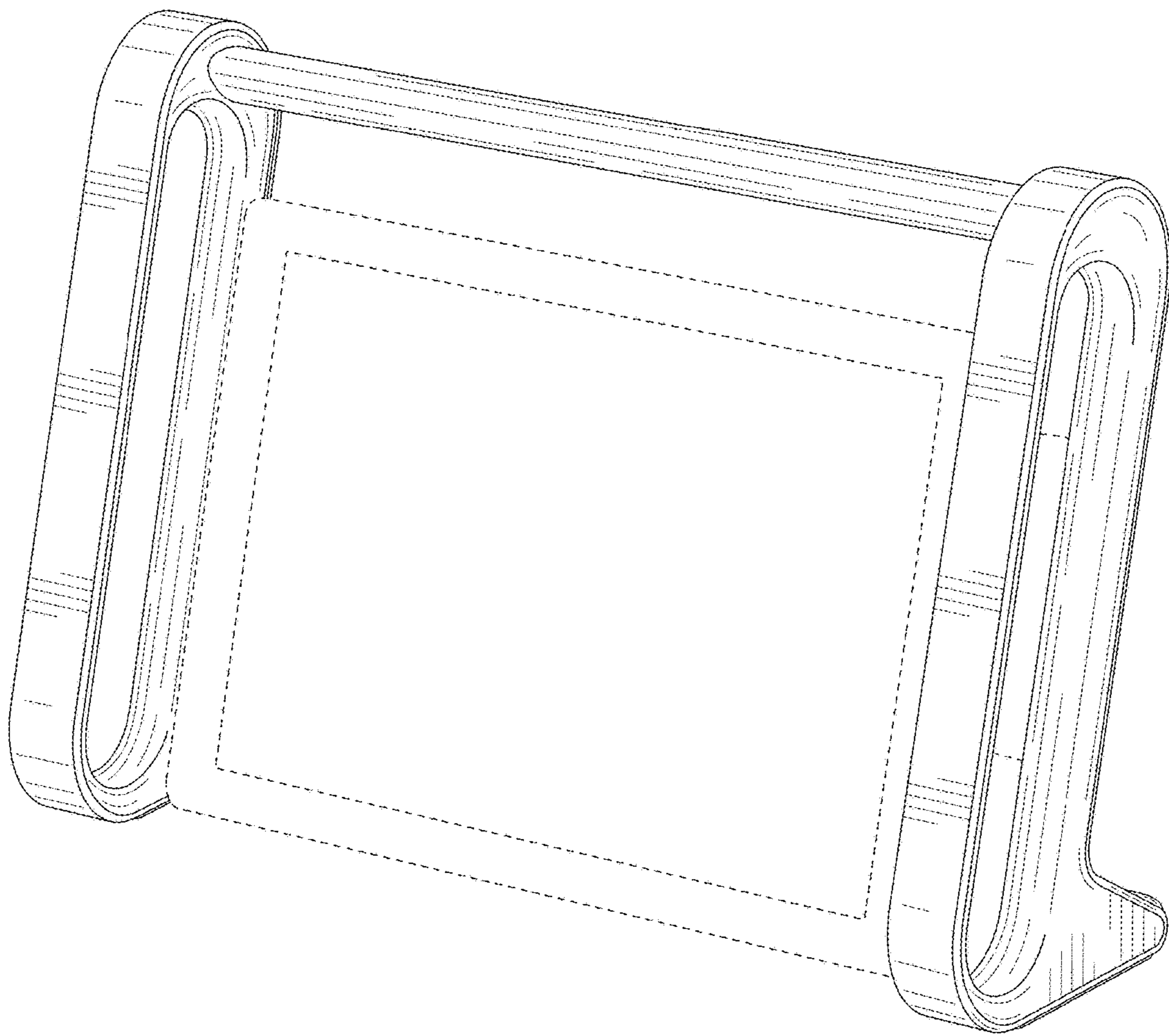
OTHER PUBLICATIONS

Dental Wings, Intraoral Scanner, 2015, 5 pages.  
 Sirona, CEREC Much More Than Restorations, 2015, 15 pages.  
 3M™ True Definition Scanner Technical Specifications, 2015, 1 page.  
 iTero® element™, Precision, 2015, 11 pages.  
 Trios® Digital Impression Solution, 2015, 7 pages.  
 Densys3D, MIA3d Station, Product Description, 2016, 1 page.

\* cited by examiner

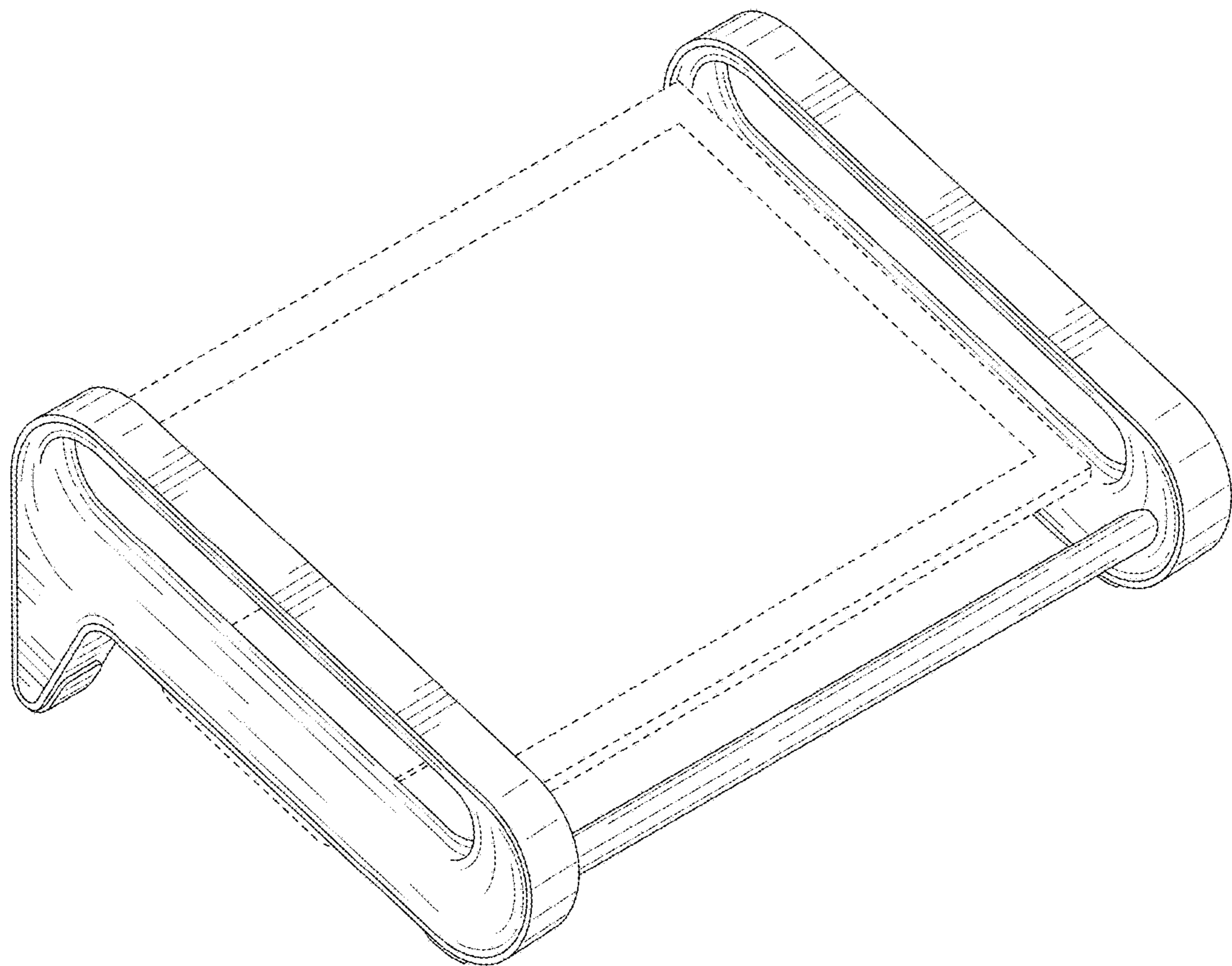


*Fig. 1*

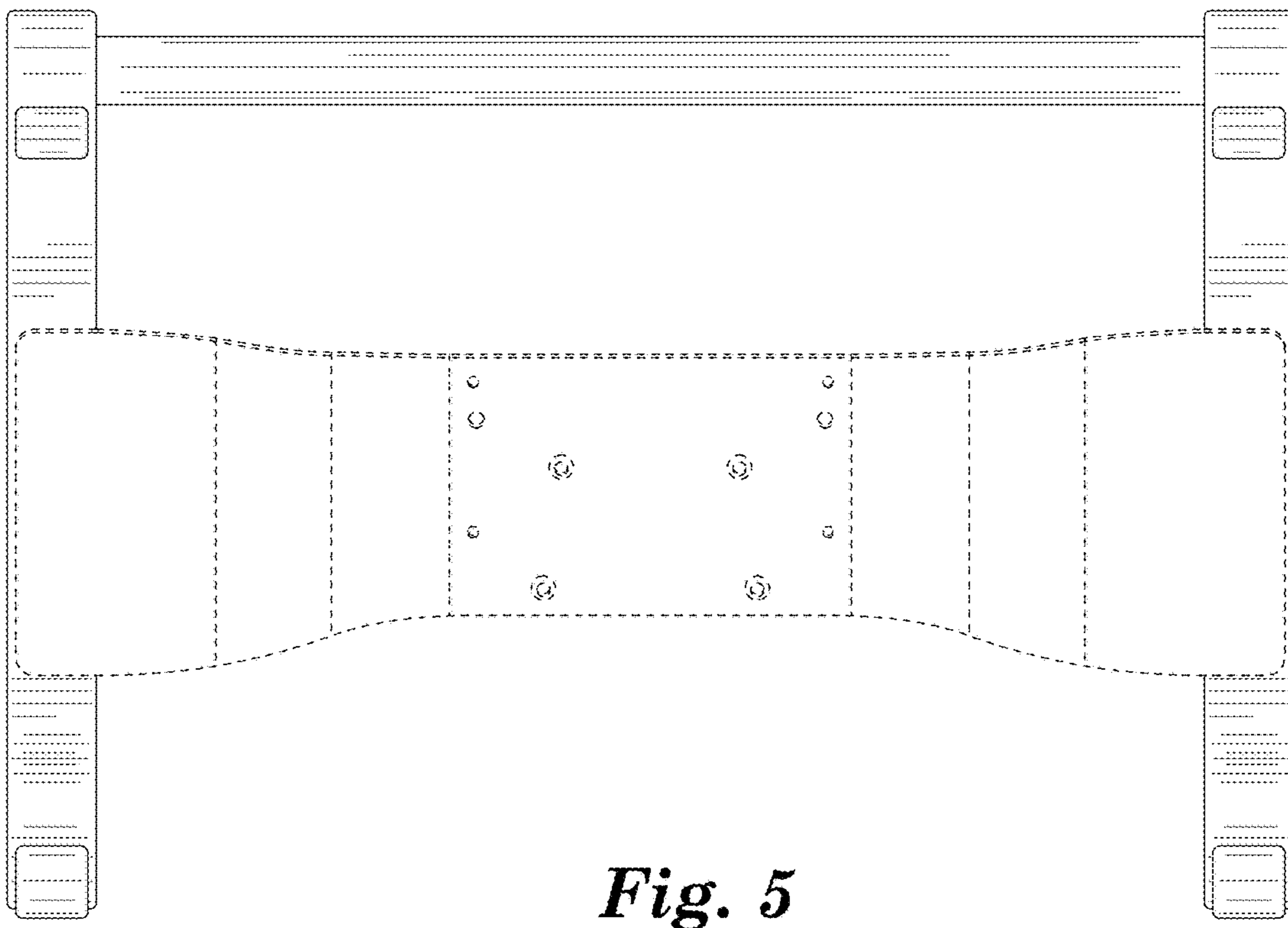
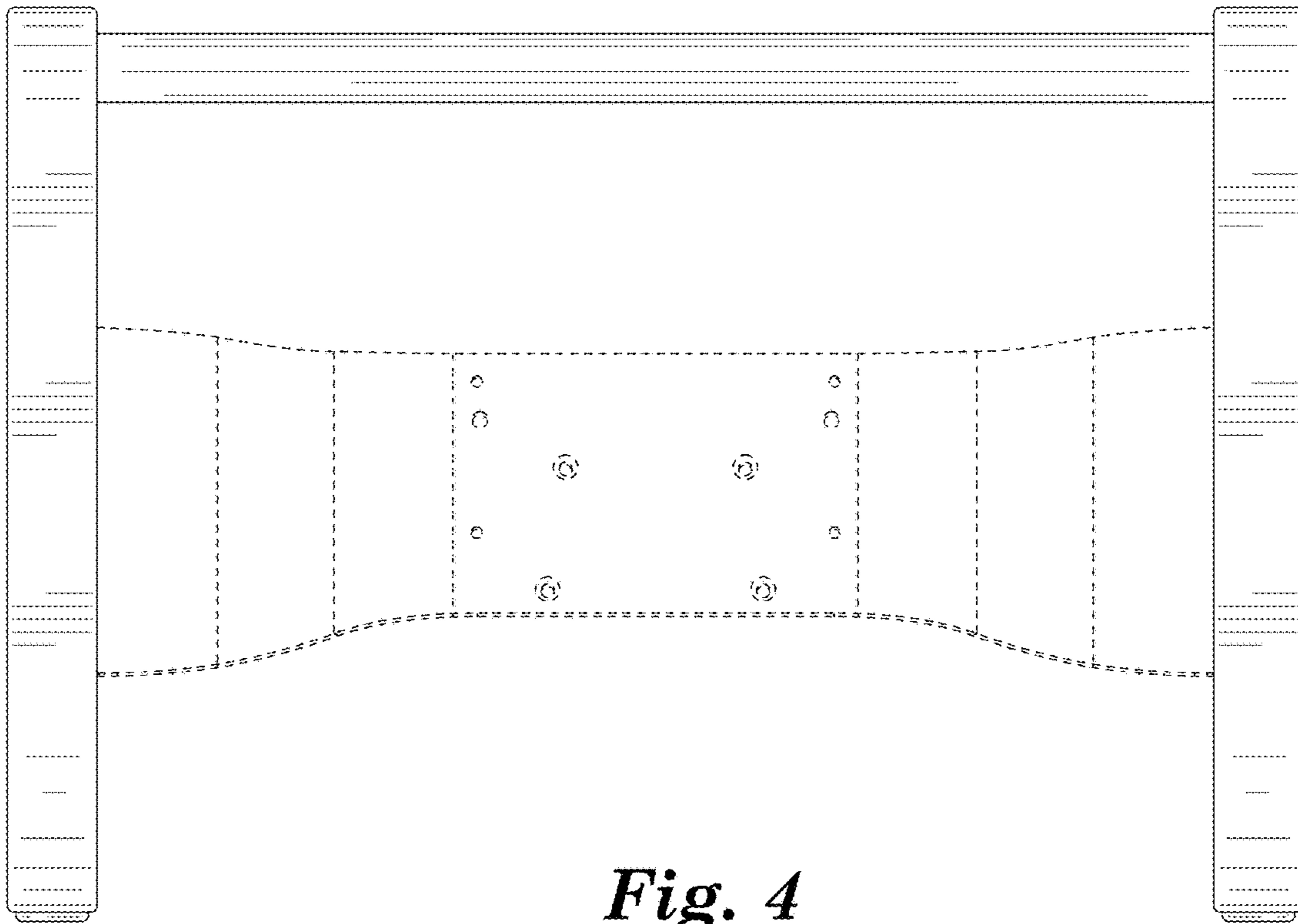


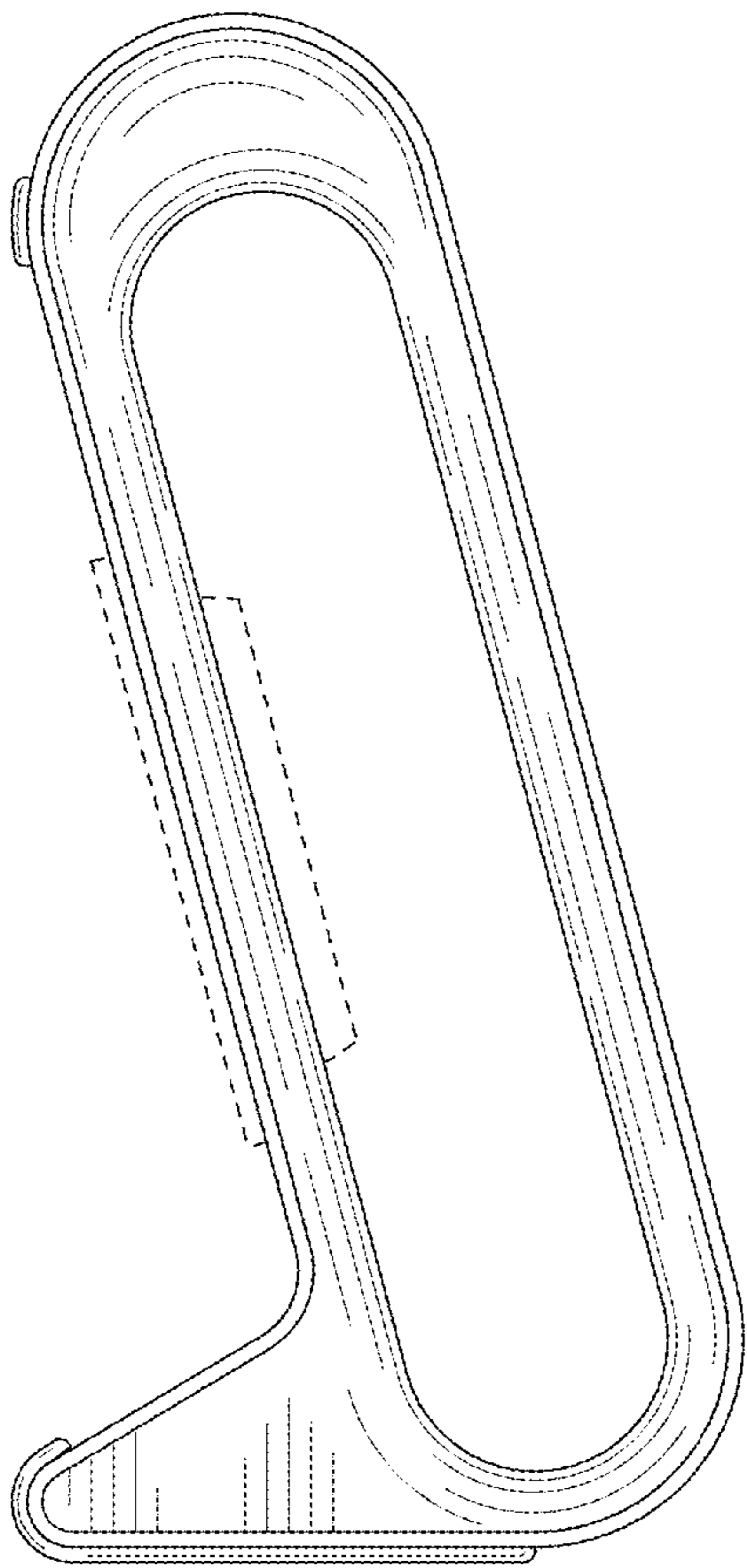
*Fig. 2*



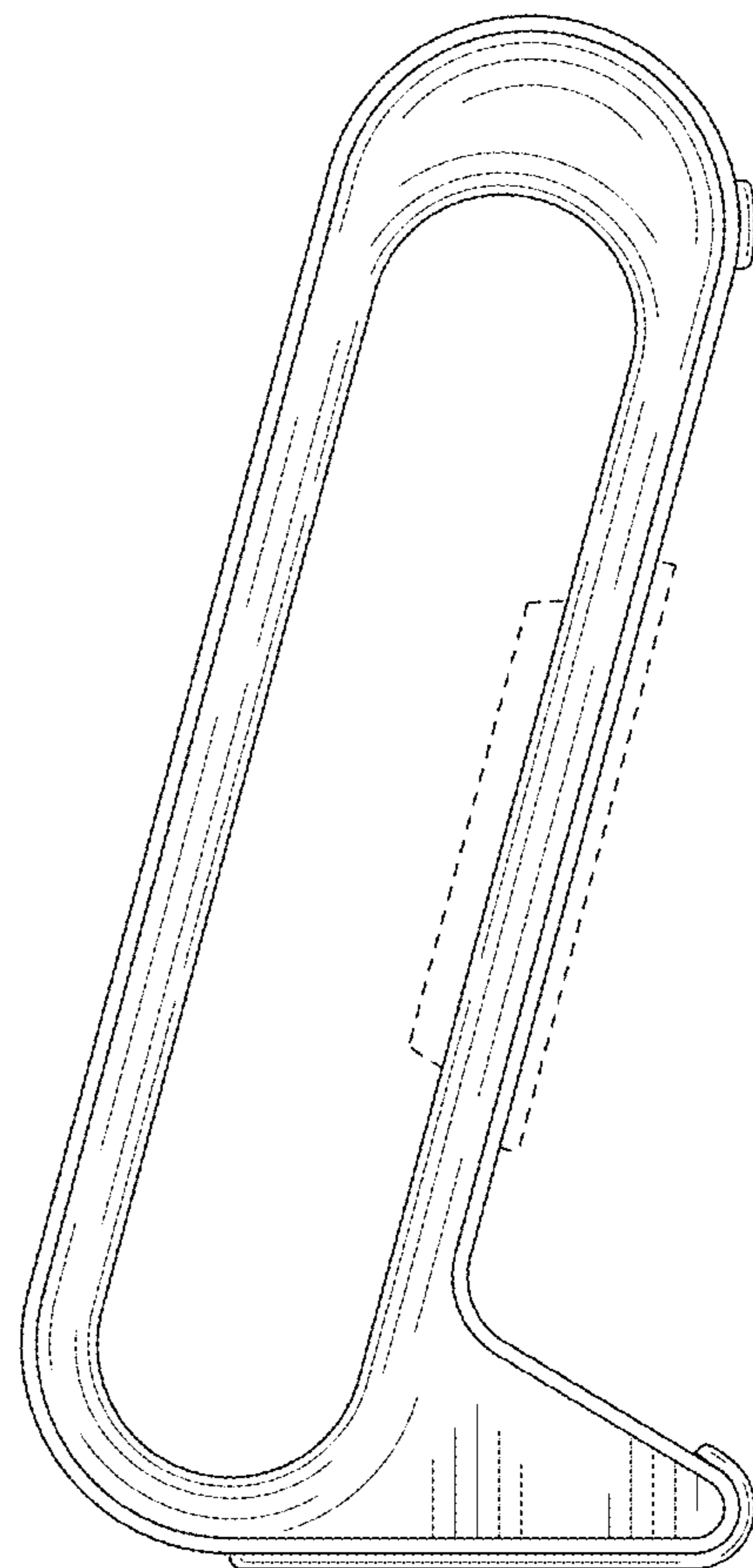


*Fig. 3*

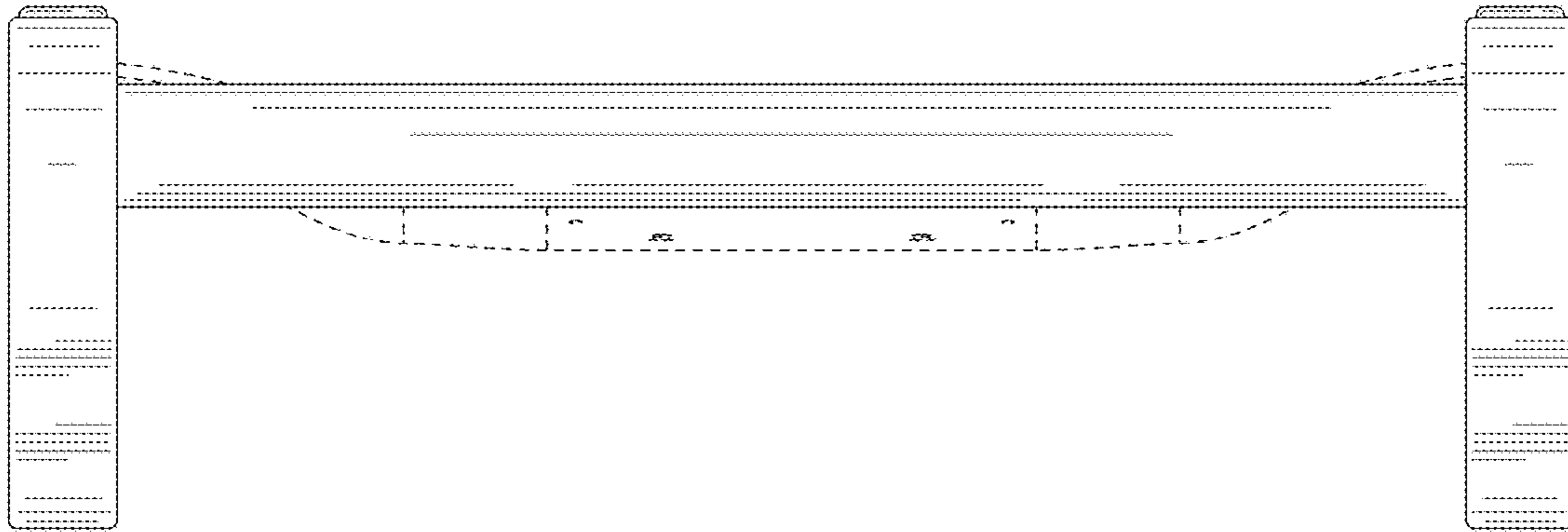




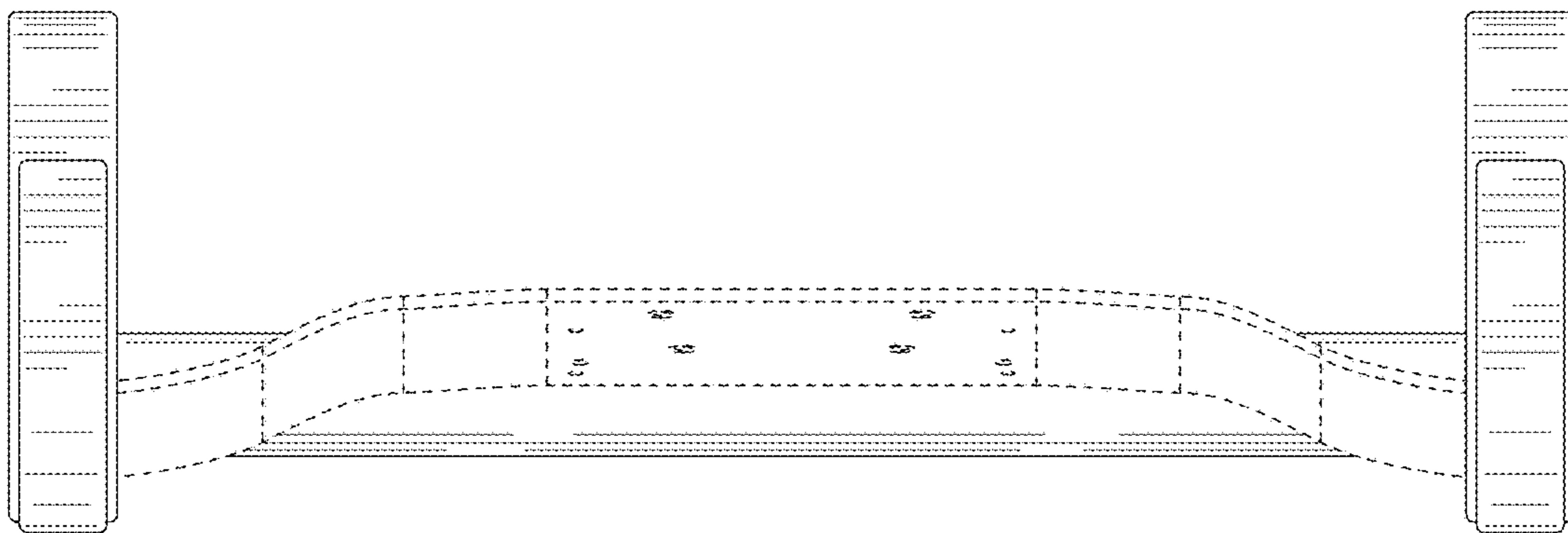
*Fig. 6*



*Fig. 7*



*Fig. 8*



*Fig. 9*