



US00D782445S

(12) **United States Design Patent**  
**Ahn et al.**

(10) **Patent No.:** **US D782,445 S**  
(45) **Date of Patent:** **\*\* Mar. 28, 2017**

(54) **SPEAKER**

(71) Applicant: **Samsung Electronics Co., Ltd.**,  
Suwon-si (KR)

(72) Inventors: **Dae-Kyung Ahn**, Namyangju-si (KR);  
**Dae-Joung Kim**, Seoul (KR);  
**Sang-Sung Woo**, Seoul (KR);  
**Jong-Bae Kim**, Seoul (KR); **Jong-In Jo**,  
Hwaseong-si (KR); **Sung-Joo Kim**,  
Suwon-si (KR); **Hong-Pyo Kim**, Seoul  
(KR); **Chi-Young Ahn**, Seoul (KR);  
**Gyeong-Tae Lee**, Seoul (KR)

(73) Assignee: **Samsung Electronics Co., Ltd.**,  
Suwon-si (KR)

(\*\*) Term: **14 Years**

(21) Appl. No.: **29/513,454**

(22) Filed: **Dec. 31, 2014**

(30) **Foreign Application Priority Data**

Jul. 1, 2014 (KR) ..... 30-2014-0032228

(51) **LOC (10) Cl.** ..... **14-03**

(52) **U.S. Cl.**  
USPC ..... **D14/216**

(58) **Field of Classification Search**  
USPC ..... D14/167, 168, 170-172, 188, 194-196,  
D14/204, 207, 209.1, 210-216, 219, 221,  
D14/222, 224, 239, 496; 181/143, 144,  
181/147, 148, 150, 153, 157, 198, 199;  
381/300-303, 306, 332, 333, 336, 345,  
381/361-364, 386-388; 369/6-12  
CPC ..... B60R 11/0217; G06F 1/1688; G10K 9/22;  
G10K 11/004; H03F 1/327; H04M 1/03;  
H04M 1/035; H04N 5/642; H04N  
21/4852; H04R 1/02; H04R 1/06; H04R  
1/021; H04R 1/025; H04R 1/026; H04R  
1/028; H04R 1/105; H04R 1/323; H04R

1/403; H04R 1/2803; H04R 1/2834;  
H04R 5/02; H04R 7/20; H04R 9/06;  
H04R 9/025; H04R 2201/021; H04R  
2400/00; H04R 2400/07; H04R 2499/11;  
H04R 2499/13; H04R 2499/15; H04S  
3/00; H04S 7/30

See application file for complete search history.

(56) **References Cited**

U.S. PATENT DOCUMENTS

D373,183 S \* 8/1996 Beyer ..... D23/355  
D435,641 S \* 12/2000 Clement ..... D23/366  
D642,170 S \* 7/2011 Johnson ..... D14/250

(Continued)

*Primary Examiner* — Keli L Hill

(74) *Attorney, Agent, or Firm* — NSIP Law

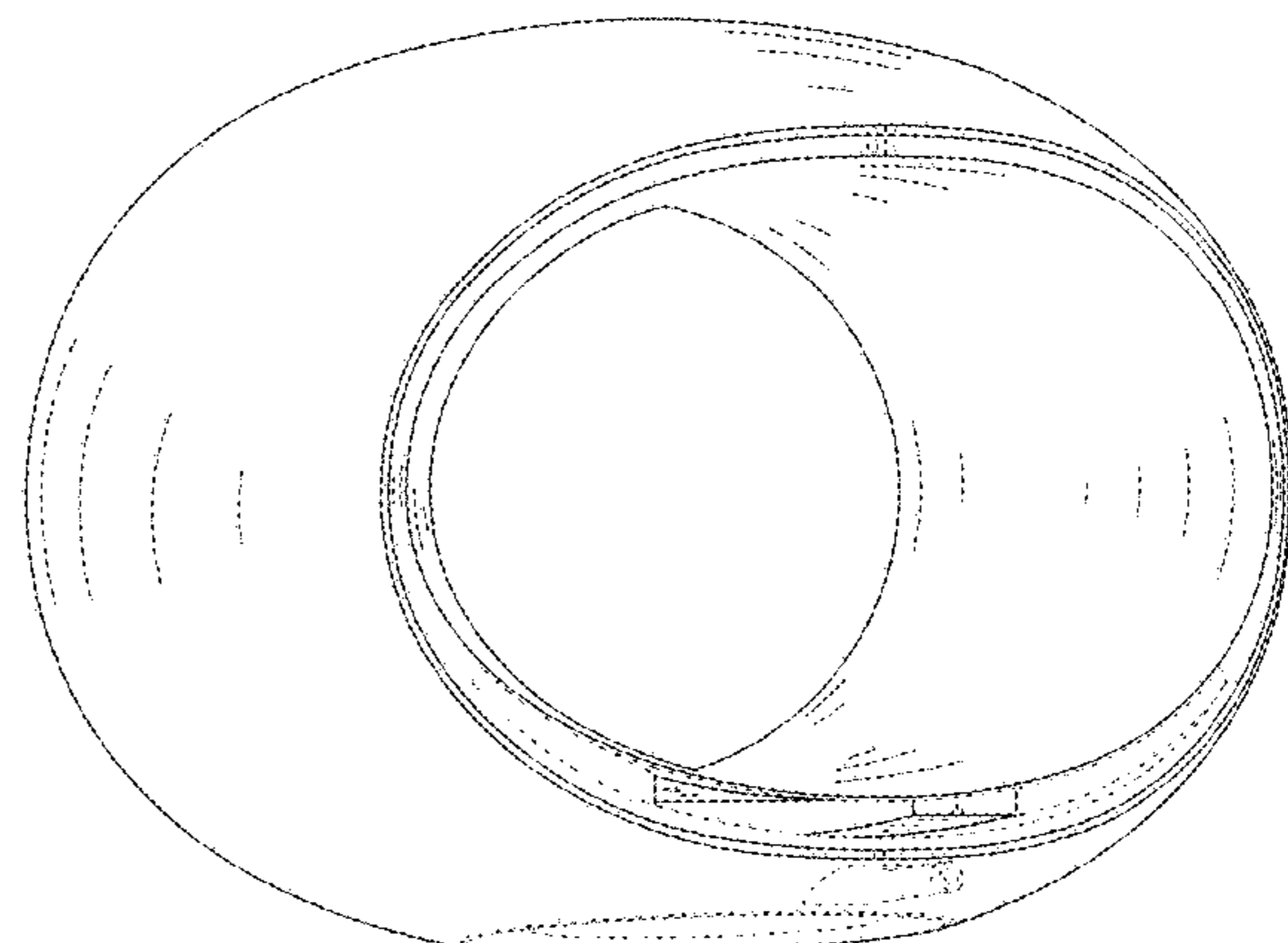
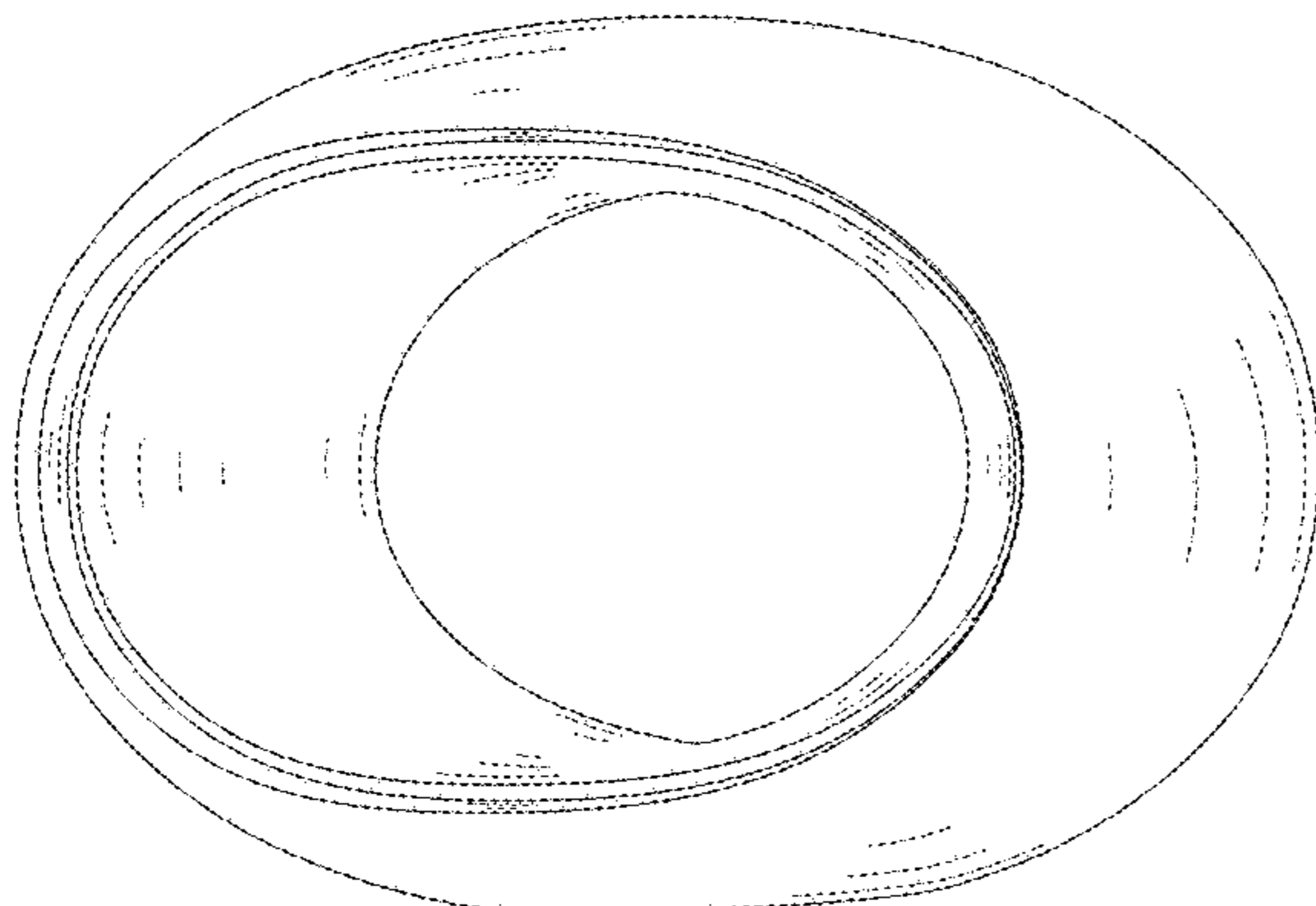
(57) **CLAIM**

We claim the ornamental design for a speaker, as shown and described.

**DESCRIPTION**

FIG. 1 is a front perspective view of a speaker showing our new design;  
FIG. 2 is a front view thereof;  
FIG. 3 is a rear view thereof;  
FIG. 4 is a left-side view thereof;  
FIG. 5 is a right-side view thereof;  
FIG. 6 is a top view thereof;  
FIG. 7 is a bottom view thereof;  
FIG. 8 is a cross-sectional view taken through the horizontal center of FIG. 2;  
FIG. 9 is a cross-sectional view taken through the vertical center of FIG. 2; and,  
FIG. 10 is a rear perspective of FIG. 1.  
The broken lines in the figures show portions of the speaker which form no part of the claimed design.

**1 Claim, 10 Drawing Sheets**



(56)

**References Cited**

U.S. PATENT DOCUMENTS

D647,508 S	*	10/2011	Lee .....	D14/216
D665,386 S	*	8/2012	Fathollahi .....	D14/250
D673,930 S	*	1/2013	Bolton .....	D14/204
D673,931 S	*	1/2013	Bolton .....	D14/204
D674,775 S	*	1/2013	Bolton .....	D14/204
D711,862 S	*	8/2014	Fathollahi .....	D14/250
D745,858 S	*	12/2015	Di Mauro .....	D14/204
D746,425 S	*	12/2015	Dyson .....	D23/356
D753,634 S	*	4/2016	Fields .....	D14/217
D757,912 S	*	5/2016	Eads .....	D23/255

\* cited by examiner

FIG. 1

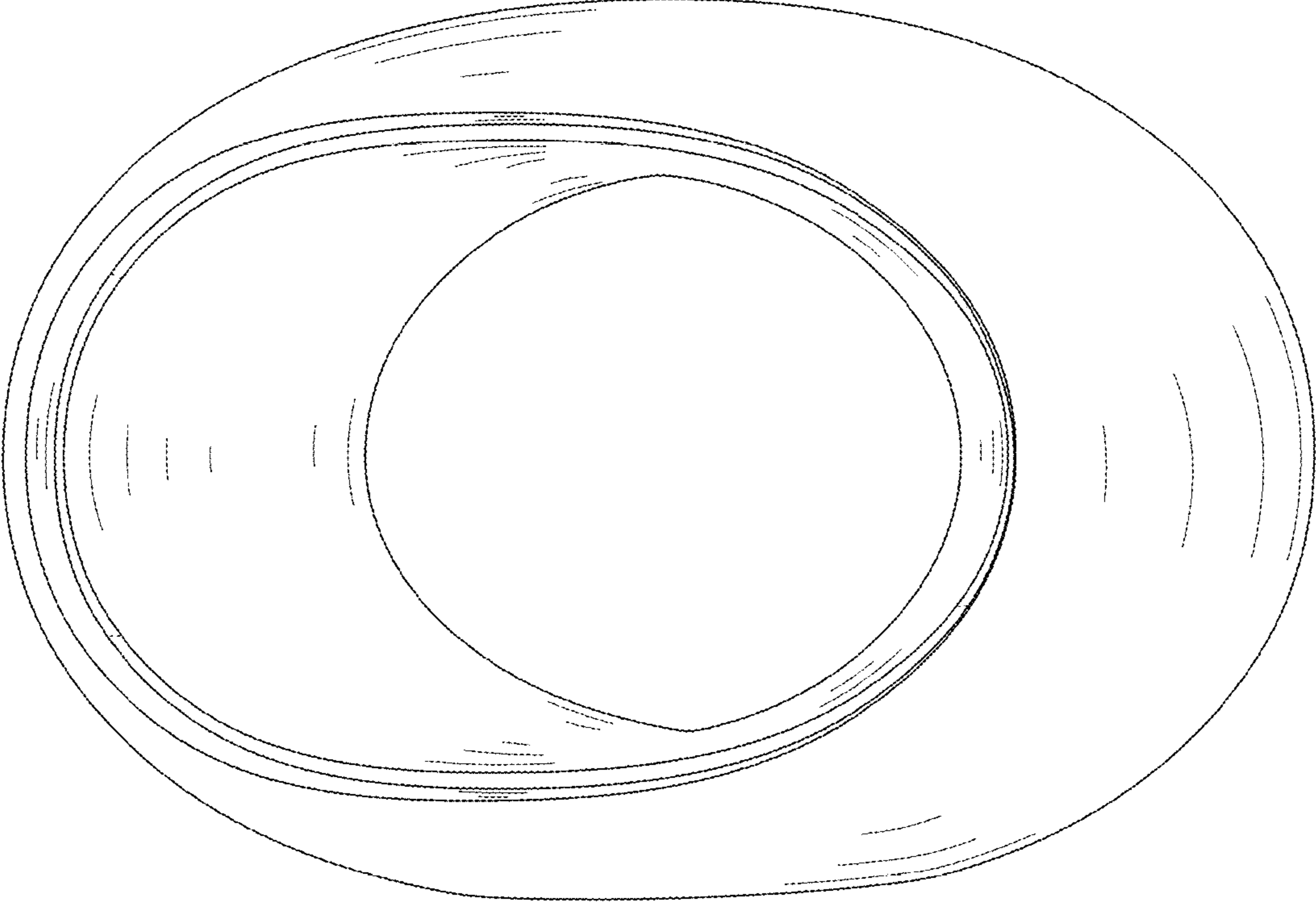


FIG. 2

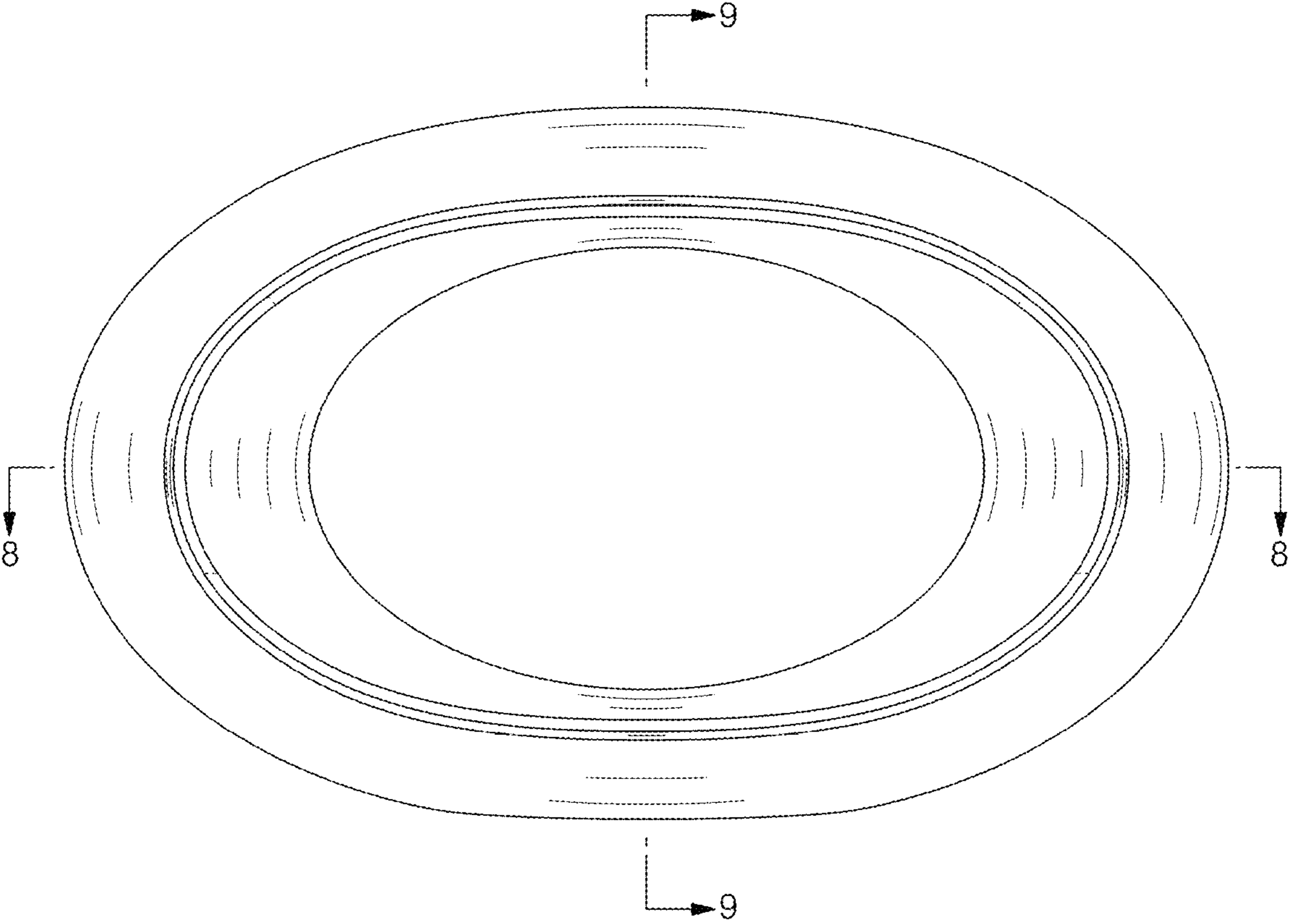


FIG. 3

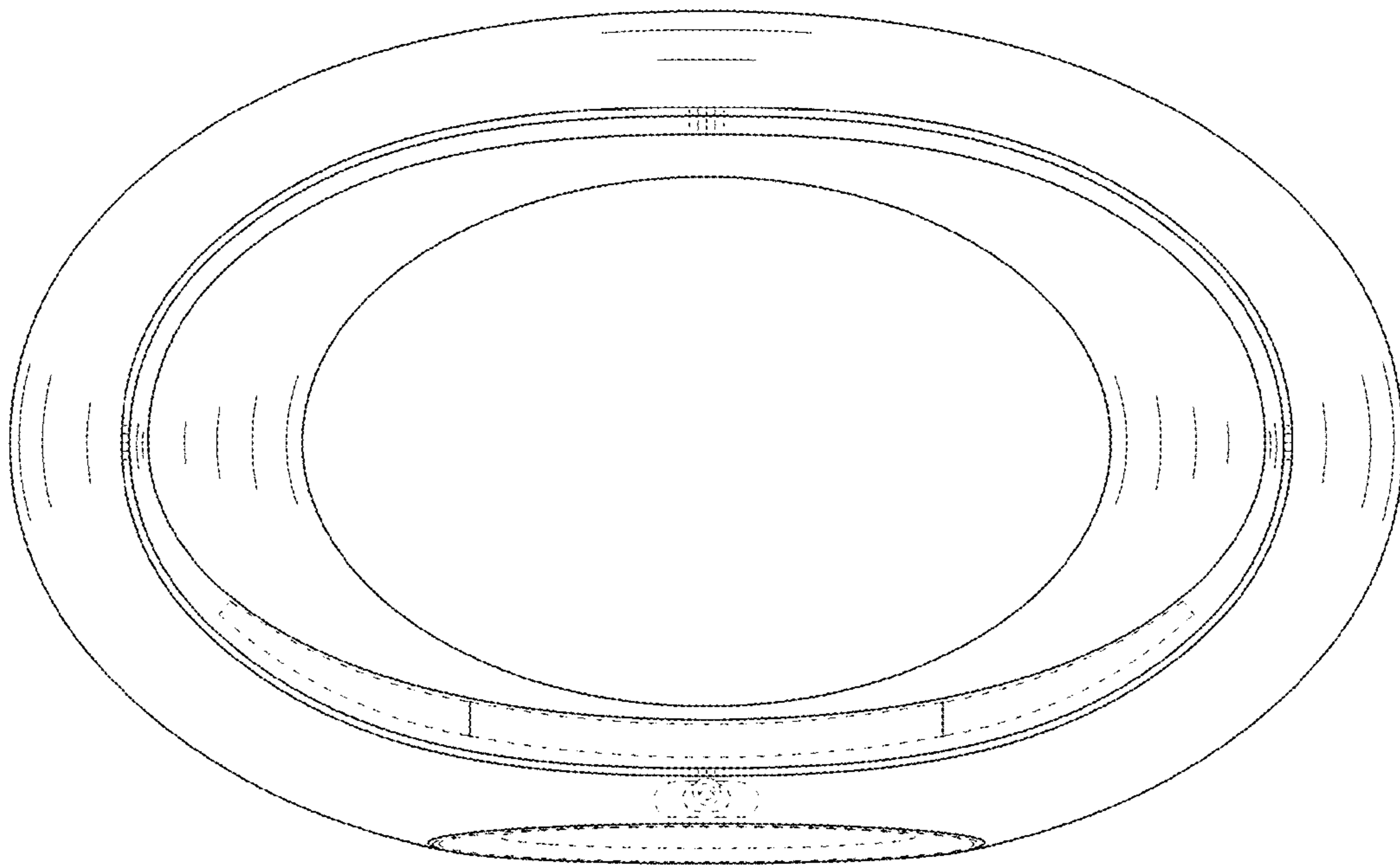


FIG. 4

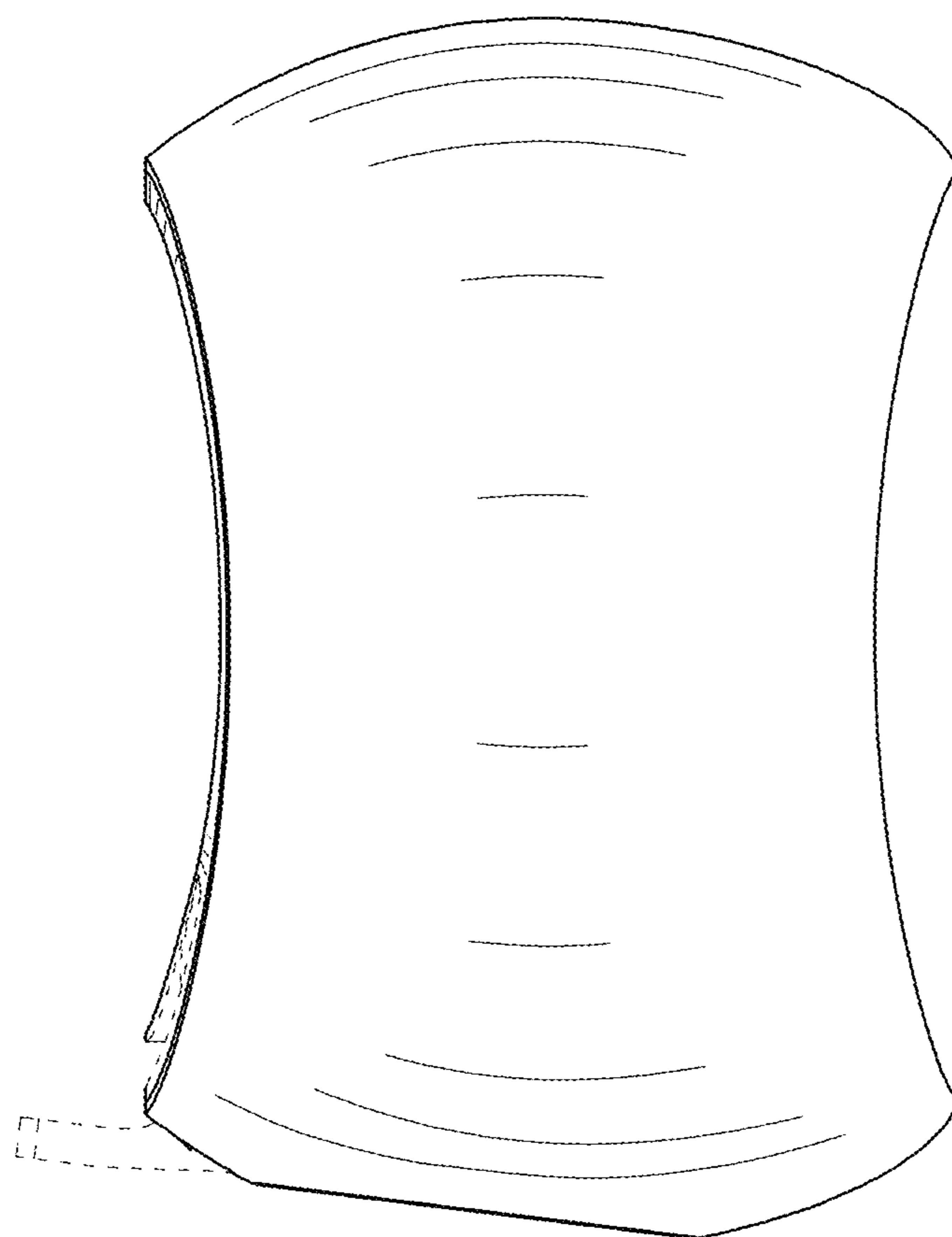




FIG. 5

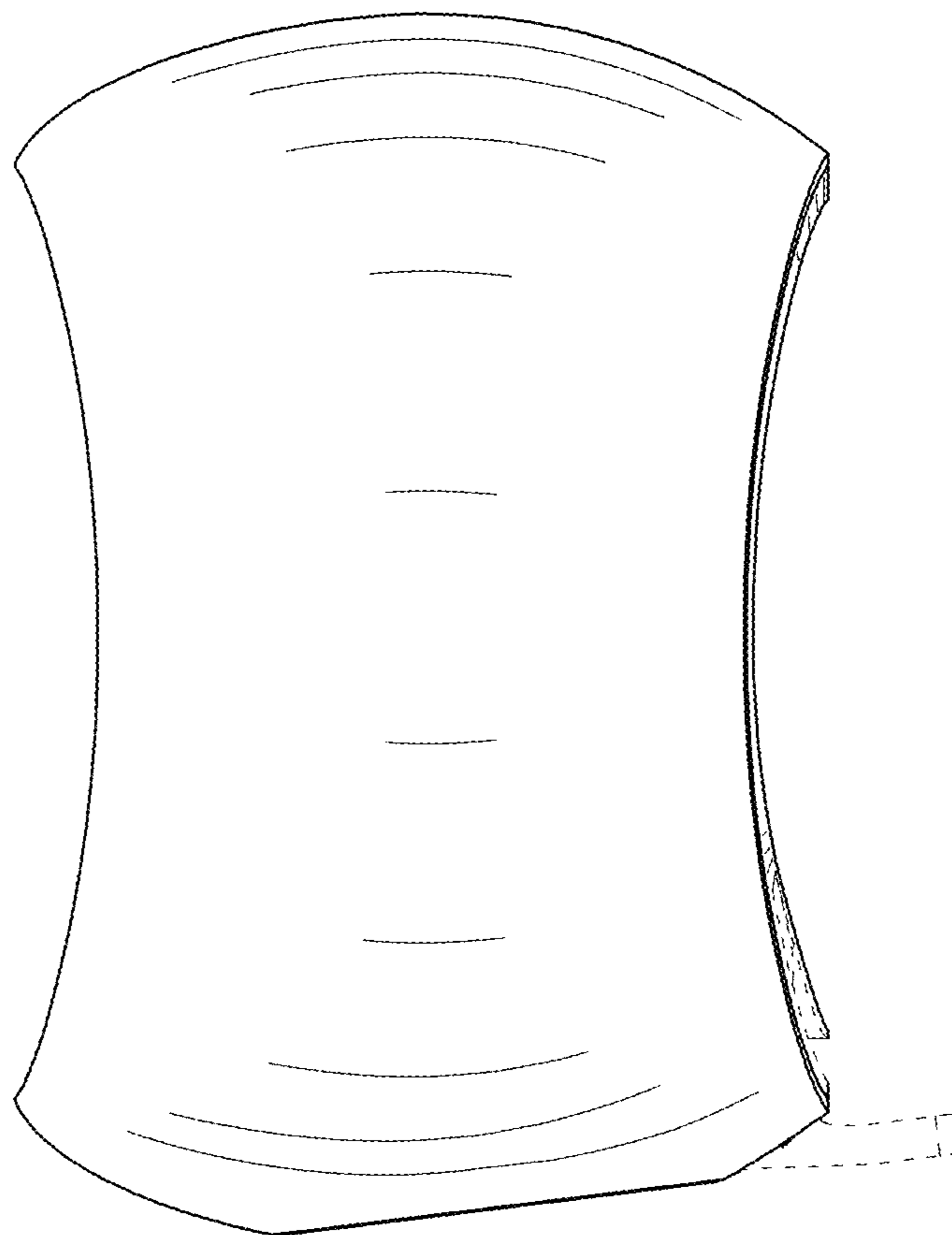


FIG. 6

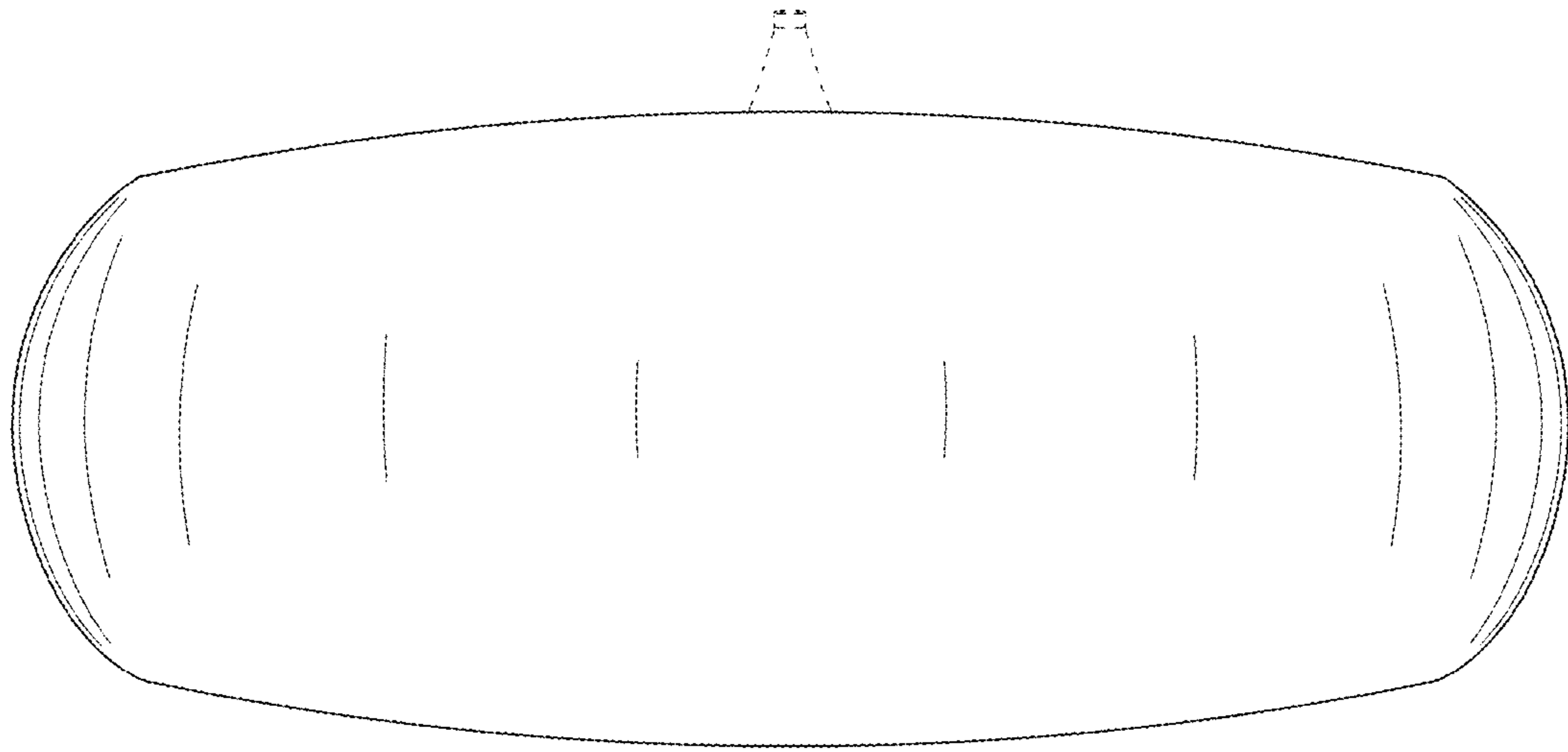




FIG. 7

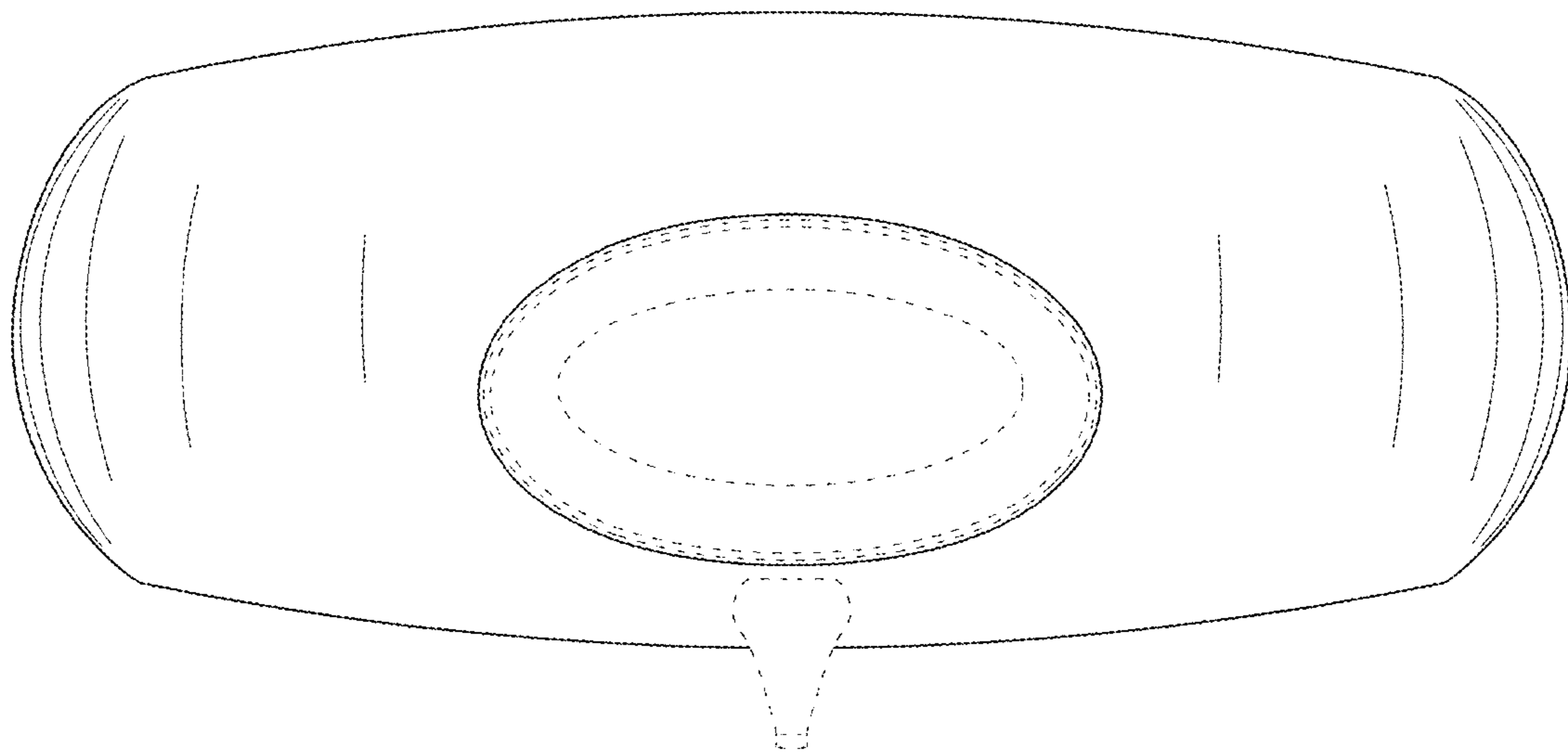


FIG. 8

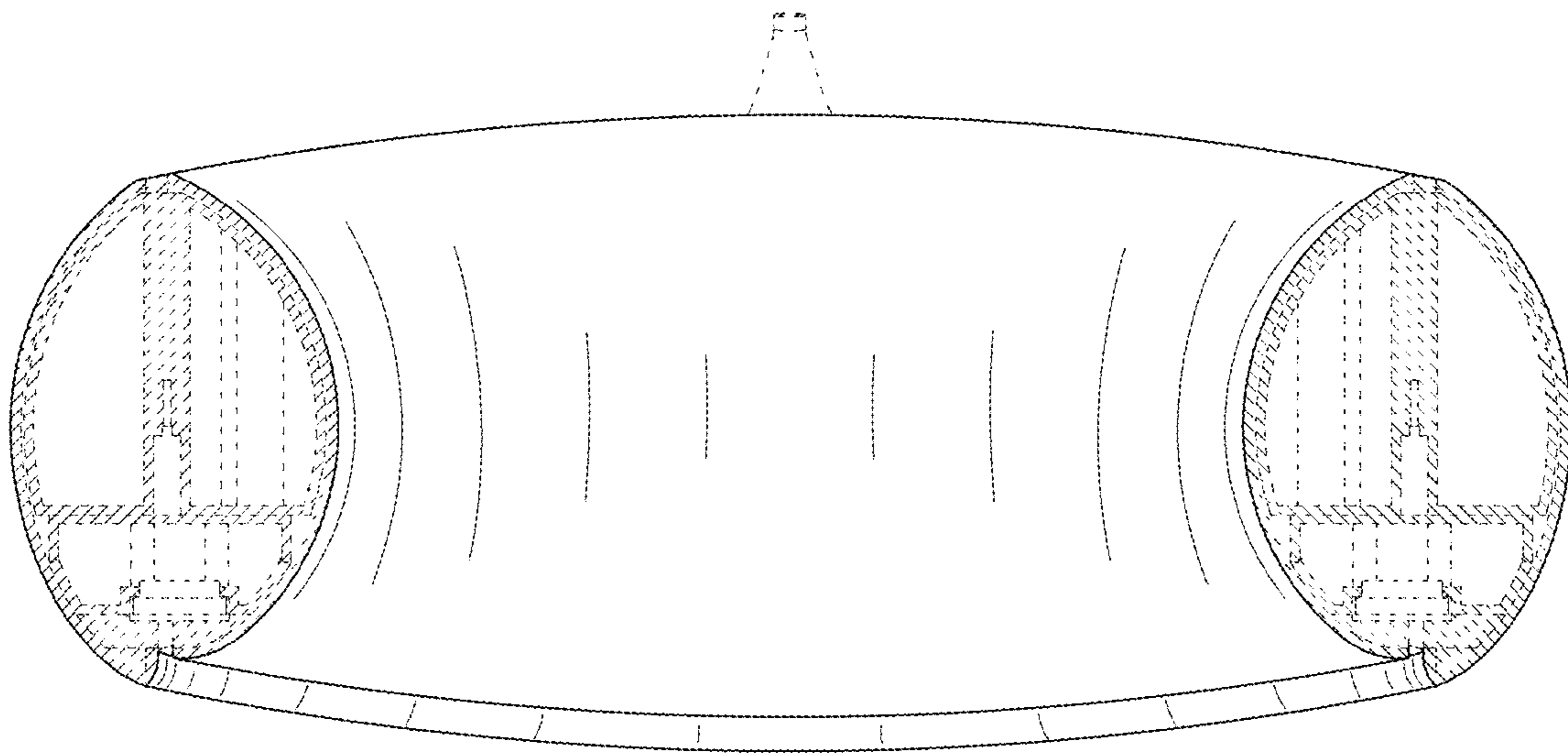


FIG. 9

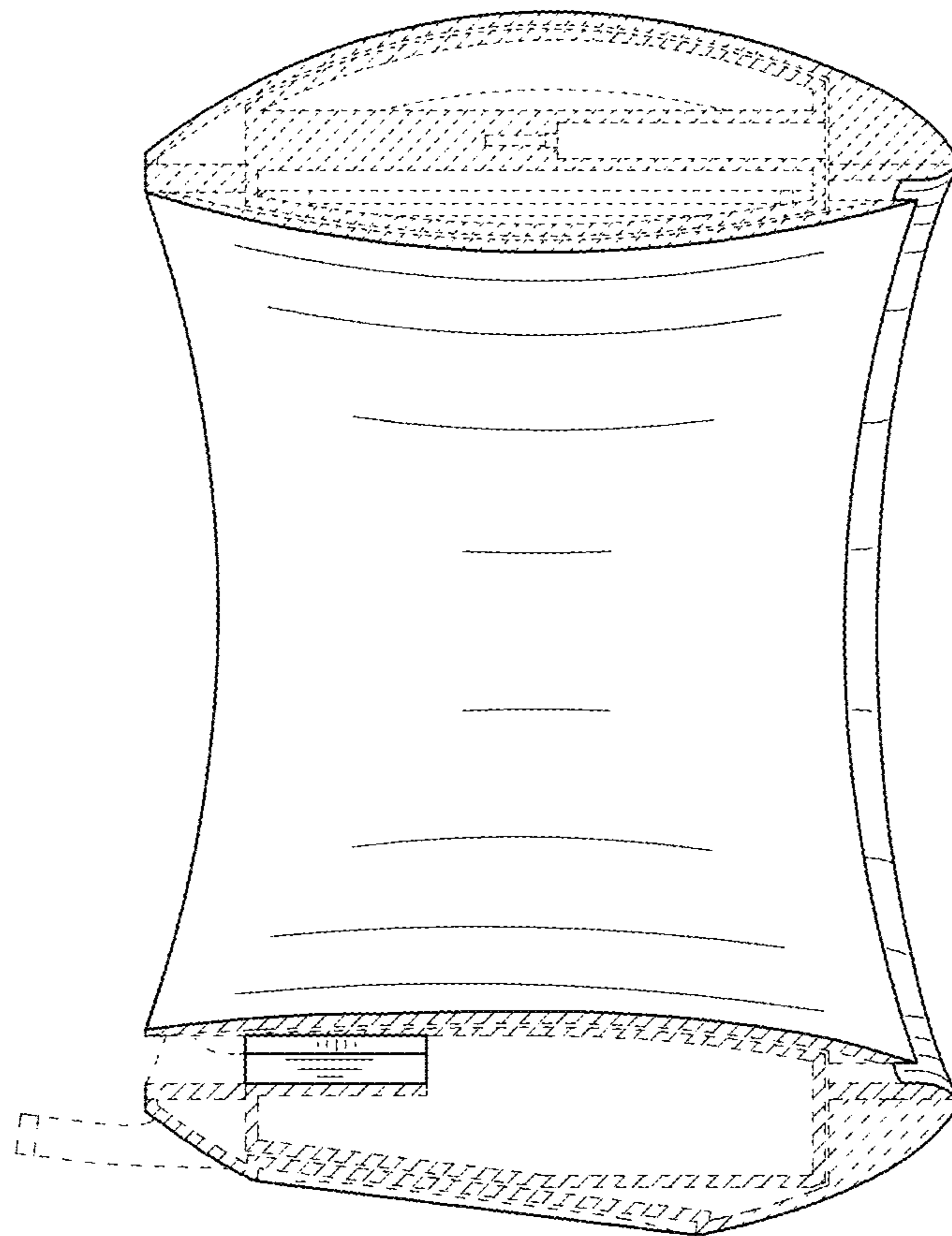


FIG. 10

