



US00D782441S

(12) **United States Design Patent**
Morrison

(10) **Patent No.:** **US D782,441 S**
(45) **Date of Patent:** **** Mar. 28, 2017**

(54) **PORTABLE SPEAKER WITH SUCTION CUP**

(71) Applicant: **Robert Morrison**, Walworth, NY (US)

(72) Inventor: **Robert Morrison**, Walworth, NY (US)

(**) Term: **14 Years**

(21) Appl. No.: **29/513,440**

(22) Filed: **Dec. 31, 2014**

(51) **LOC (10) Cl.** **14-01**

(52) **U.S. Cl.**
USPC **D14/204**

(58) **Field of Classification Search**

USPC D14/172, 194, 204, 207, 209.1, 210–215,
D14/221, 222, 239; 181/148, 152, 153,
181/157, 192; 381/300–303, 332, 333,
381/336, 345, 361, 386–388
CPC H04M 1/03; H04M 1/035; H04R 1/02;
H04R 1/06; H04R 1/021; H04R 1/025;
H04R 1/026; H04R 1/105; H04R 1/323;
H04R 1/345; H04R 1/403; H04R 1/2803;
H04R 1/2834; H04R 3/12; H04R 5/02;
H04R 2203/12

See application file for complete search history.

(56) **References Cited**

U.S. PATENT DOCUMENTS

D214,955 S * 8/1969 Duern D14/188
D215,449 S * 10/1969 Kaminski D14/212
D333,468 S * 2/1993 Hansen D14/222
D334,750 S * 4/1993 Negishi D14/213
D387,354 S * 12/1997 Ueng D14/222
D474,169 S * 5/2003 Fletcher D14/159
D659,681 S * 5/2012 Suzuki D14/221
D671,528 S 11/2012 Fathollahi
D728,525 S 5/2015 Zhang

9,148,714 B2 9/2015 Zhao
2005/0013460 A1* 1/2005 Hungerford H04R 1/02
381/386
2014/0064535 A1 3/2014 Zhao

FOREIGN PATENT DOCUMENTS

CN 203301711 U 11/2013

OTHER PUBLICATIONS

US Trademark Serial No. 86402744; Mark—Mighty Speaker.
“Mighty Speaker”, by Morrison Innovation, Found Online [Mar. 22,
2016] <https://s-media-cache-ak0.pinimg.com/236x/6d/fa/73/6dfa73b1c32970a1261f6627a1722921.jpg>.

(Continued)

Primary Examiner — Ian Simmons
Assistant Examiner — Janice Lim
(74) *Attorney, Agent, or Firm* — Heslin Rothenberg
Farley & Mesiti PC

(57) **CLAIM**

The ornamental design for a portable speaker with suction cup, as shown and described.

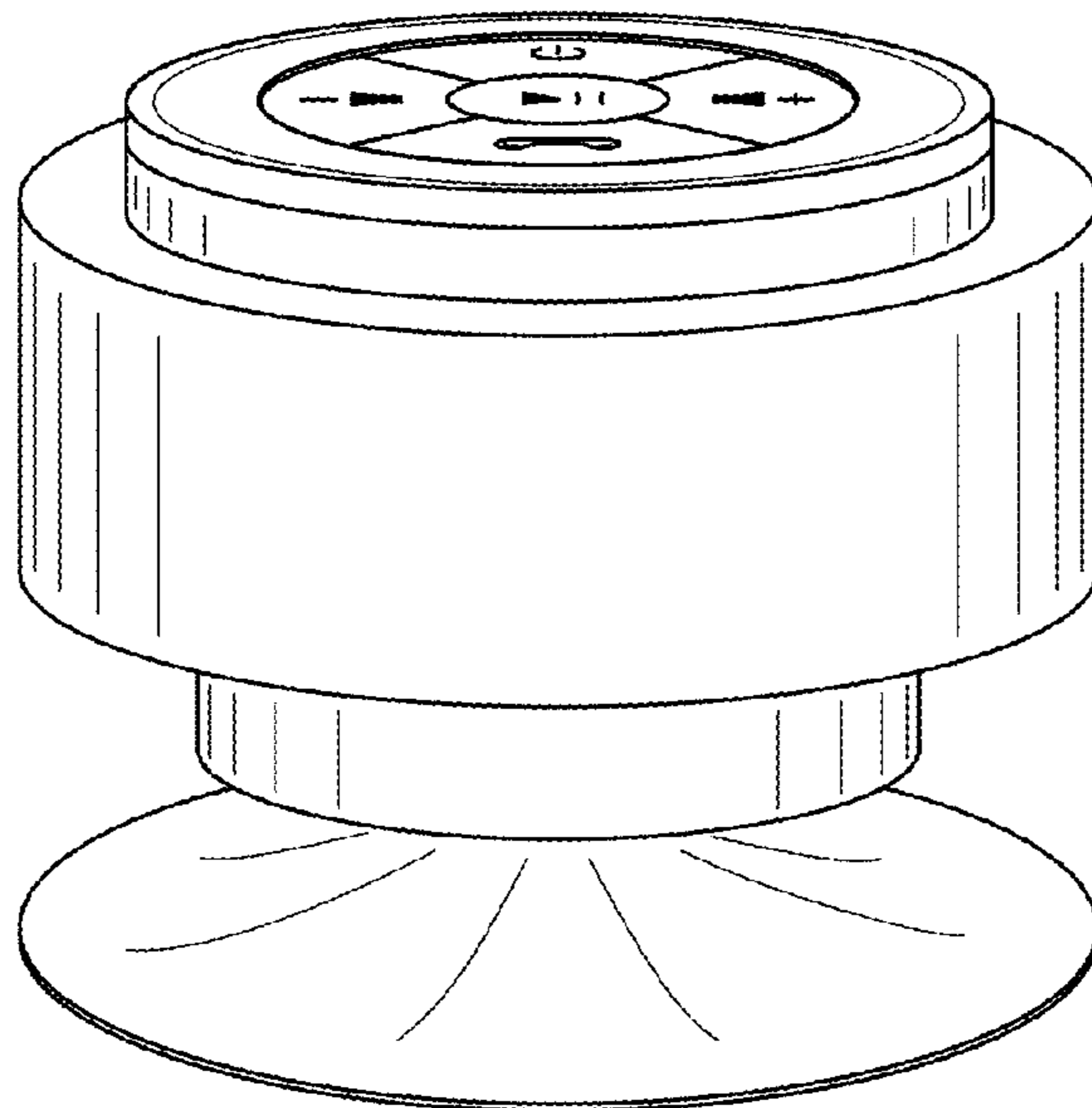
DESCRIPTION

FIG. 1 is a perspective view of a portable speaker with suction cup, showing my new design; FIG. 2 is a top plan view thereof; FIG. 3 is a bottom plan view thereof; FIG. 4 is a front view thereof; and, FIG. 5 is a back view thereof.

The left side view and right side view of the portable speaker with suction cup are identical to the front view of the portable speaker with suction cup in FIG. 4.

The broken line portions are included to show unclaimed subject matter only and form no part of the claimed design.

1 Claim, 3 Drawing Sheets



(56)

References Cited

OTHER PUBLICATIONS

“BTS-06 Mini Portable Waterproof Bluetooth Wireless Stereo Shower Speakers with Suction Cup”, by Storite, Found Online [Mar. 22, 2016] <http://ecx.images-amazon.com/images/I/41FLwUGeNnL.jpg>.

“Bluetooth Shower Speaker”, by Taotronics, Found Online [Mar. 22, 2016] http://thunderingsound.com/wp-content/uploads/2015/05/Taotronics_02.png.

“P6 Suction Cup Shower Speaker Portable”, by Shenzhen, Found Online [Mar. 22, 2016] <http://a03.s.aicdn.com/kf/HT1Po2RFTxaXXagOFbXY/220039831/HT1Po2RFTxaXXagOFbXY.jpg>.

* cited by examiner

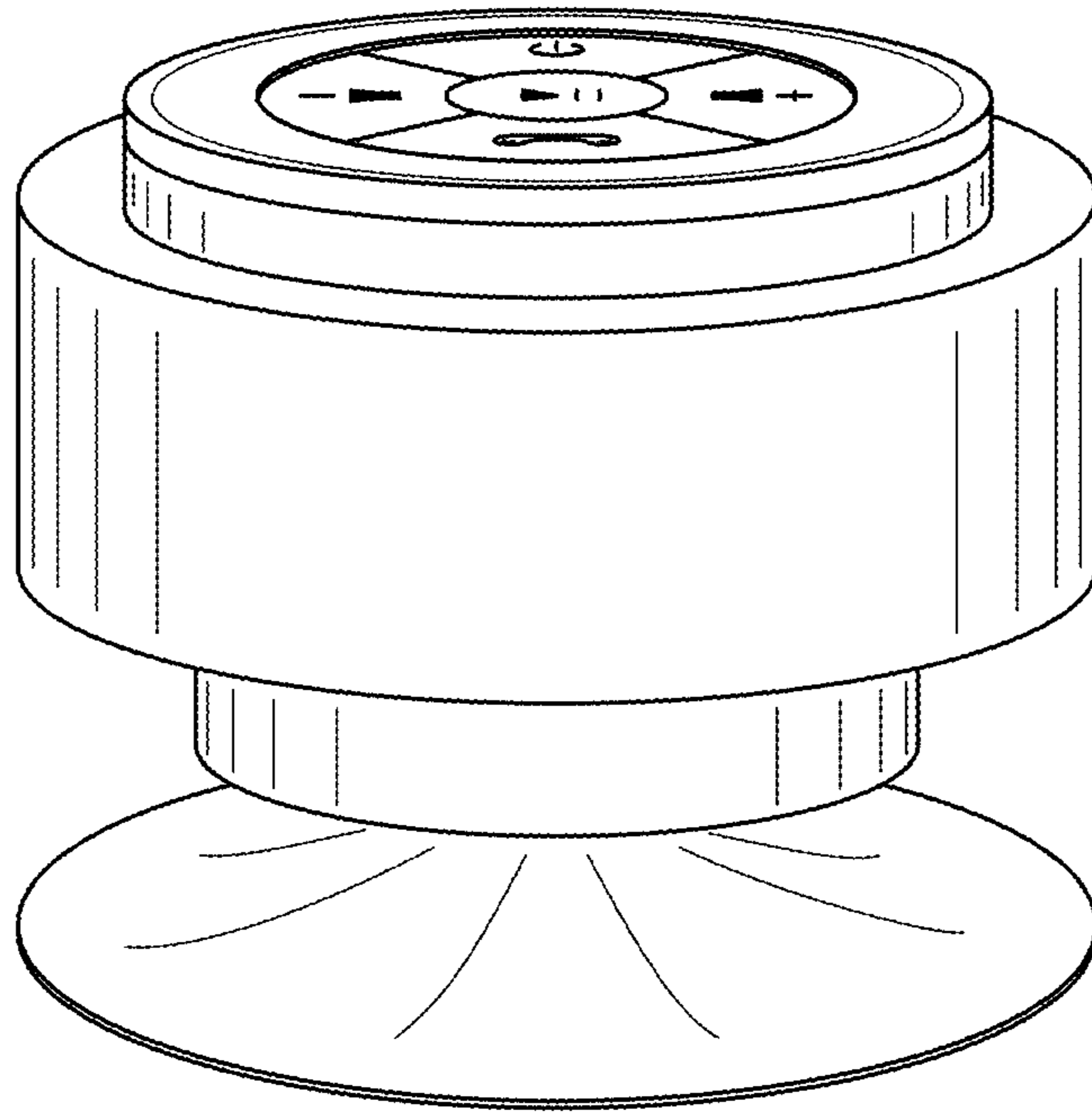


FIG. 1

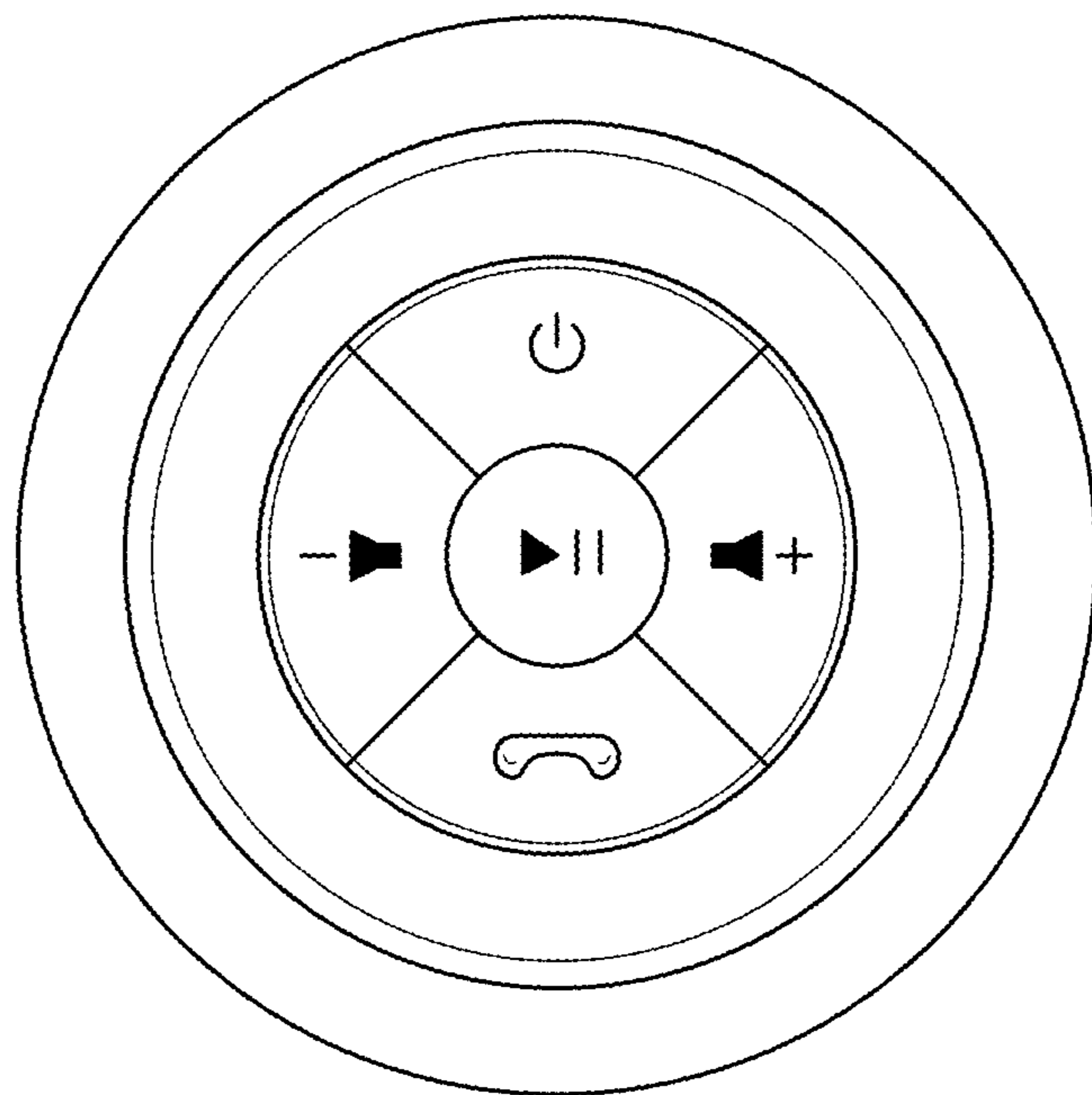


FIG. 2

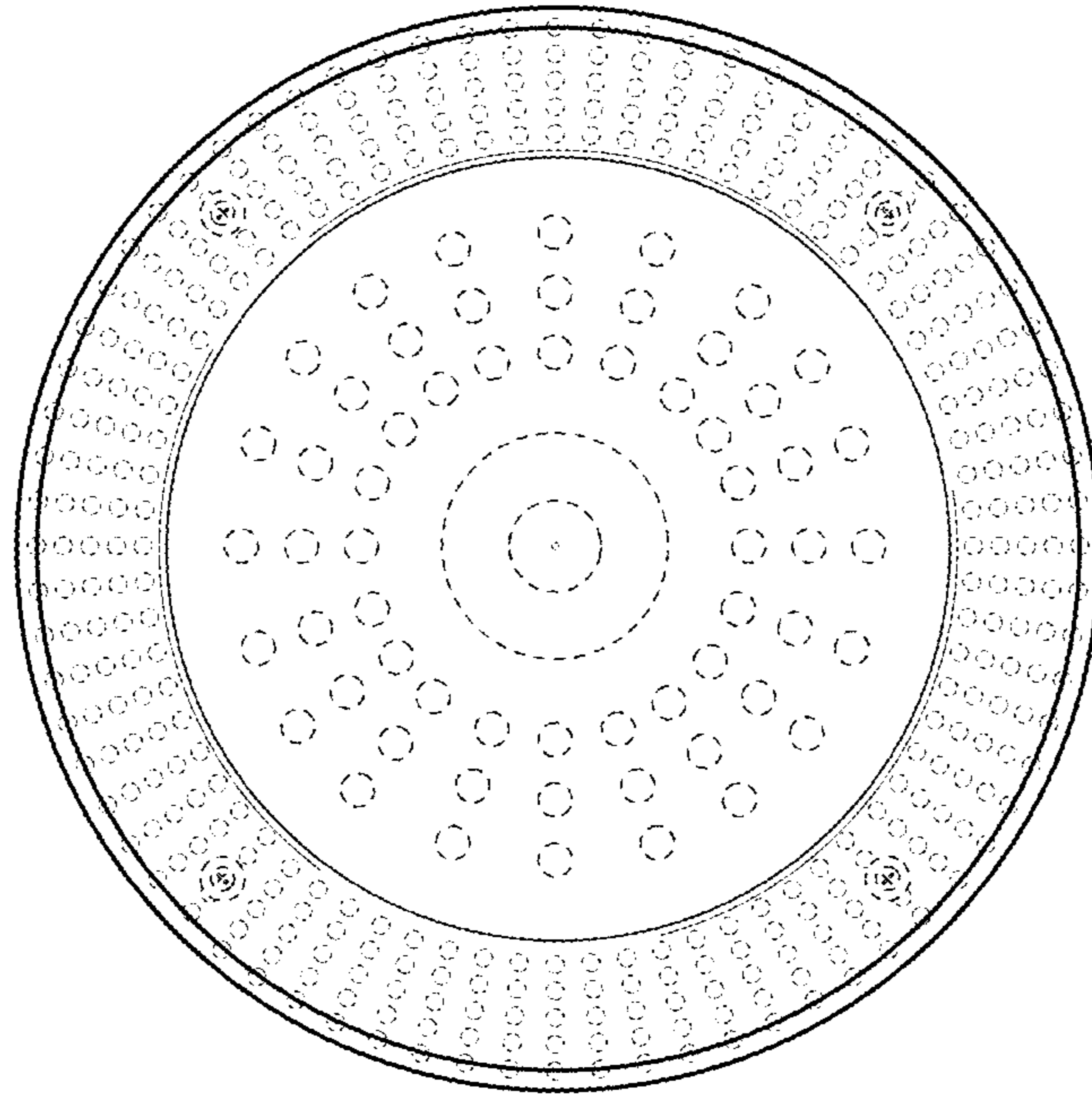


FIG. 3

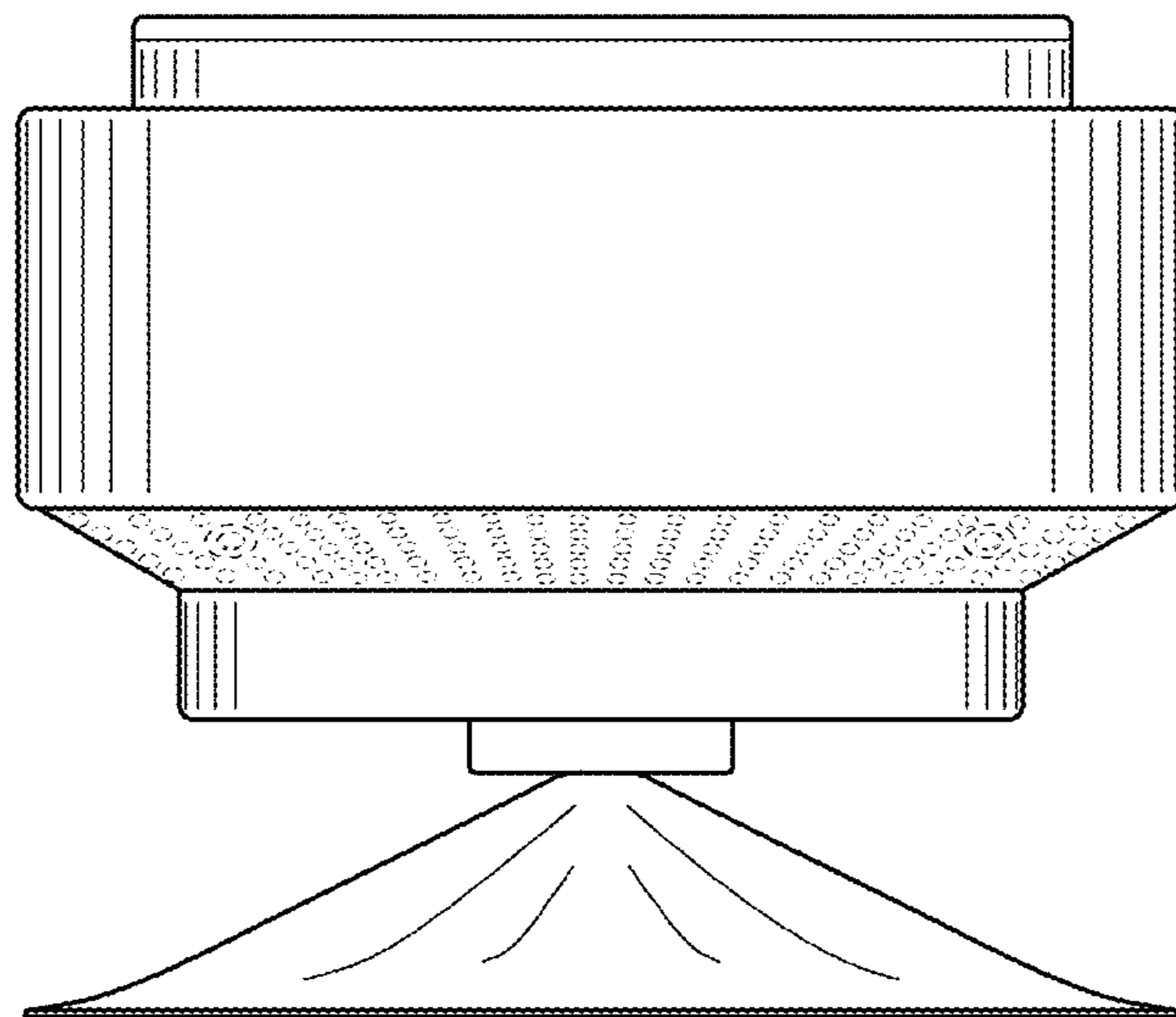


FIG. 4

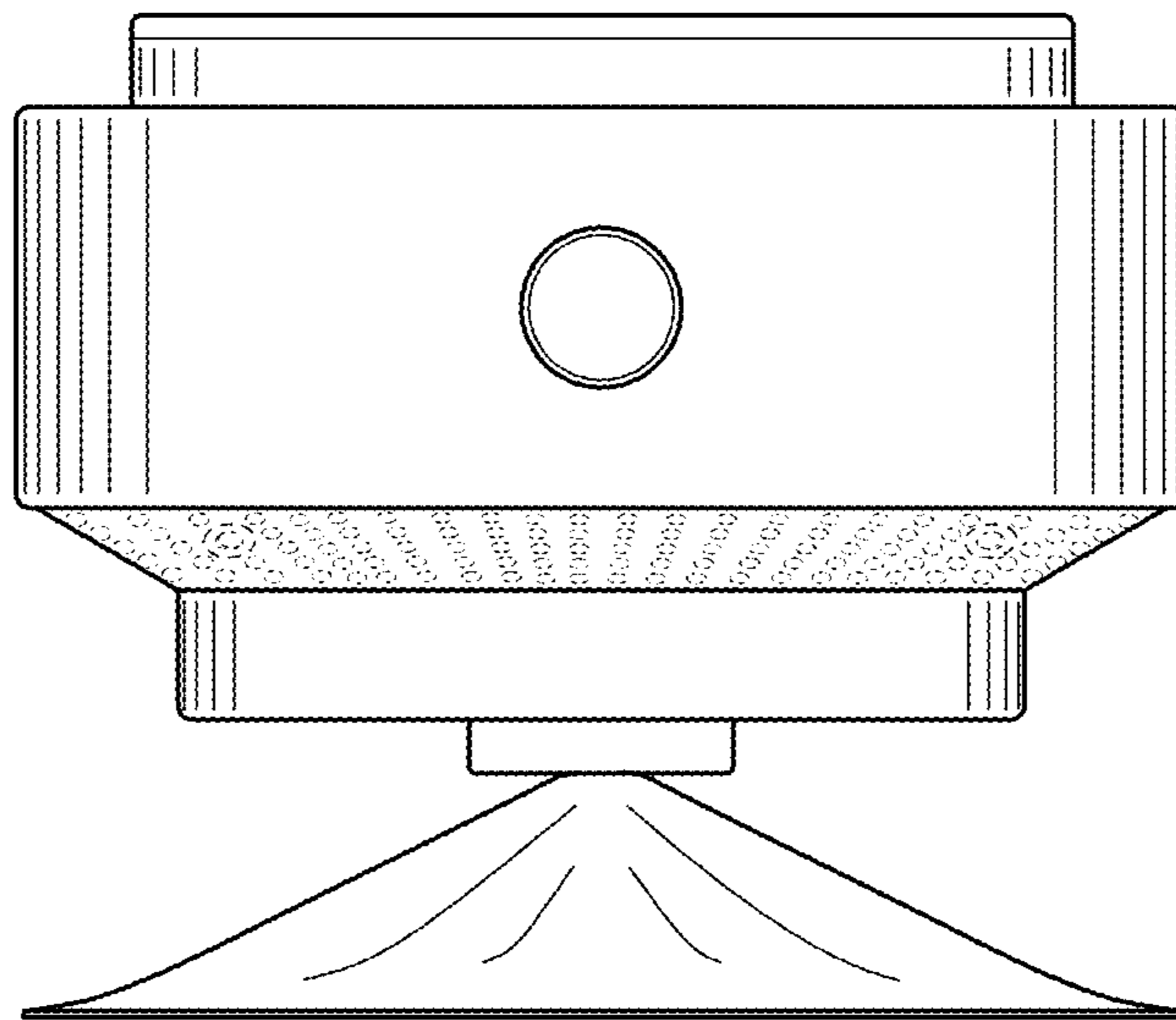


FIG. 5