



US00D782436S

(12) **United States Design Patent**
Kwak et al.

(10) **Patent No.:** **US D782,436 S**
(45) **Date of Patent:** **** Mar. 28, 2017**

(54) **MOBILE TERMINAL**

- (71) Applicant: **Samsung Electronics Co., Ltd.**,
Suwon-si (KR)
- (72) Inventors: **Ji-Yeon Kwak**, Seoul (KR); **Hyun-Jin Kim**, Seoul (KR); **Hae-Yoon Park**,
Seoul (KR); **Ki-O Lee**, Seoul (KR)
- (73) Assignee: **Samsung Electronics Co., Ltd.**,
Suwon-si (KR)
- (**) Term: **14 Years**
- (21) Appl. No.: **29/506,257**
- (22) Filed: **Oct. 14, 2014**

(30) **Foreign Application Priority Data**

Apr. 15, 2014 (KR) 30-2014-0019003

(51) **LOC (10) Cl.** **14-03**

(52) **U.S. Cl.**
USPC **D14/138 AB; D14/345**

(58) **Field of Classification Search**
USPC D14/138 AA, 138 AB, 138 AD, 138 G,
D14/138 R, 341, 345, 203.7, 248, 496,
D14/344; D10/65; 361/679.27;
D27/186; D3/218
CPC G06F 1/1652; G06F 1/1616; G06F 1/1618;
G06F 1/1624; H04M 1/0222; H04M
1/0254; H04M 1/0256
See application file for complete search history.

(56) **References Cited**

U.S. PATENT DOCUMENTS

- D321,865 S * 11/1991 Derocher D14/345
- D468,736 S * 1/2003 Loh D14/345
- D488,154 S * 4/2004 Lovelady D14/138 AB
- D492,304 S * 6/2004 Nishida D14/345

(Continued)

OTHER PUBLICATIONS

Samsung, Flexible OLED Display Phone, as posted at PhoneArena [online], posting date not available [site visited Jul. 28, 2016] Available from the Internet, <URL: http://www.phonearena.com/news/Samsung-and-LG-both-racing-to-out-a-foldable-phone_id74741>.*

(Continued)

Primary Examiner — Jeffrey D Asch
Assistant Examiner — Rebekah A Caruso
(74) *Attorney, Agent, or Firm* — NSIP Law

(57) **CLAIM**

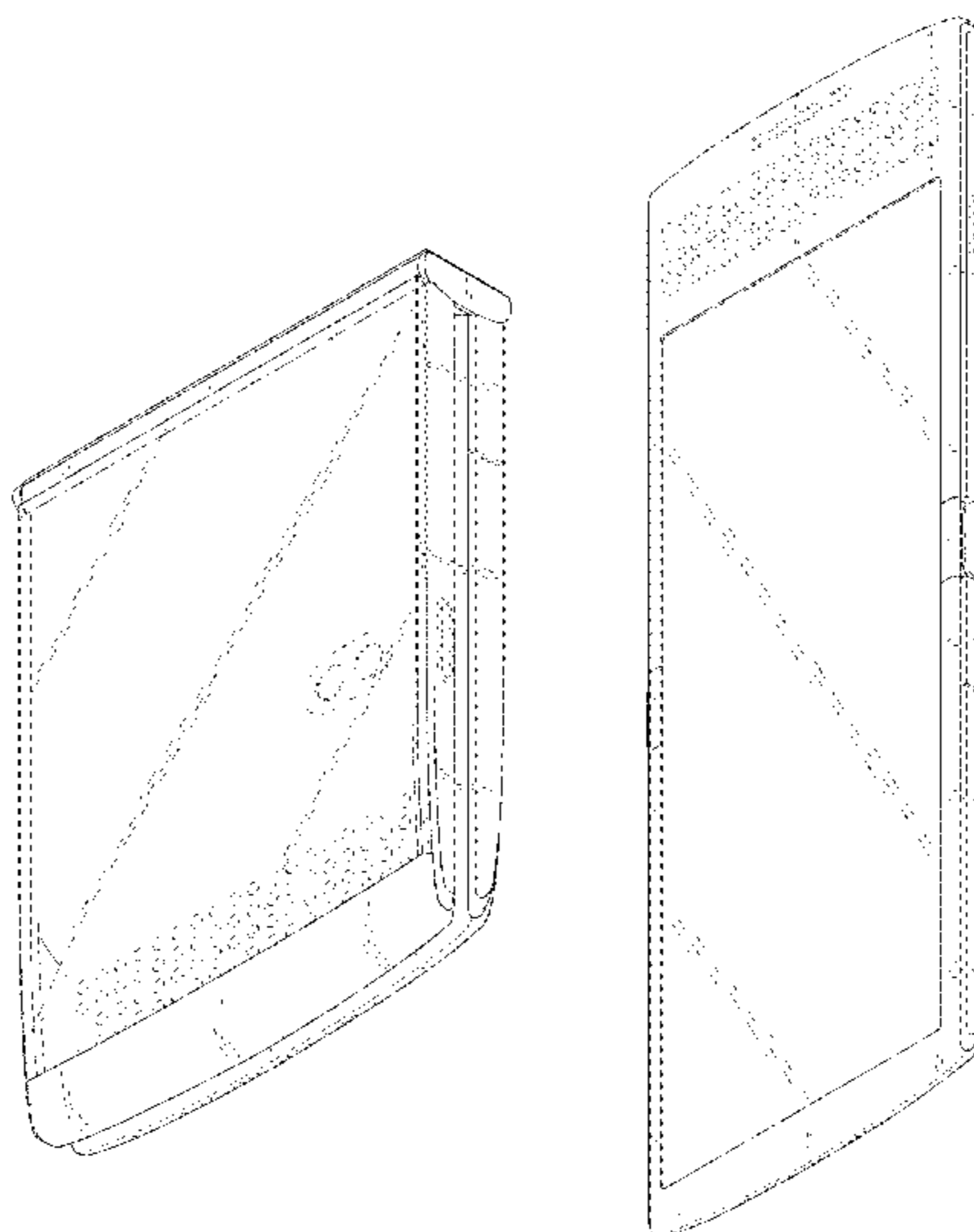
We claim the ornamental design for a mobile terminal, as shown and described.

DESCRIPTION

FIG. 1 is a front perspective view of a mobile terminal showing our new design;
FIG. 2 is a front view thereof;
FIG. 3 is a rear view thereof;
FIG. 4 is a left-side view thereof;
FIG. 5 is a right-side view thereof;
FIG. 6 is a top view thereof;
FIG. 7 is a bottom view thereof;
FIG. 8 is another front perspective view, in which the mobile terminal is shown in an open position;
FIG. 9 is a rear perspective view thereof; and,
FIG. 10 is a left-side view thereof.

The broken lines shown in the figures that are immediately adjacent to the shaded areas and define unshaded regions represent the bounds of the claim. All other broken lines, including features within broken line boundaries and the line across the bottom of the rear flap, are directed to environment. The broken lines form no part of the claimed design.

1 Claim, 8 Drawing Sheets



(56)

References Cited

U.S. PATENT DOCUMENTS

D561,728 S * 2/2008 Kim D14/138 AB
 D566,089 S * 4/2008 Kim D14/138 AD
 D576,601 S * 9/2008 Yasuda D14/138 AB
 D603,364 S * 11/2009 Song D14/138 AB
 D606,993 S * 12/2009 Watson D14/341
 D626,930 S * 11/2010 Katsunuma D14/138 AD
 D647,867 S * 11/2011 Chung D14/138 AB
 D657,337 S * 4/2012 Tylor D14/138 AB
 D658,173 S * 4/2012 Kim D14/345
 D681,033 S * 4/2013 Chen D14/345
 8,804,349 B2 * 8/2014 Lee G06F 1/1641
 361/679.01
 D749,576 S * 2/2016 Park D14/203.4
 9,298,221 B2 * 3/2016 Choi G06F 1/1677
 D754,657 S * 4/2016 Kim D14/345
 9,348,450 B1 * 5/2016 Kim G06F 3/0412
 2014/0226275 A1 * 8/2014 Ko G06F 1/1626
 361/679.27

2014/0362513 A1* 12/2014 Nurmi G06F 1/1652
 361/679.27
 2015/0233162 A1* 8/2015 Lee H04M 1/02
 16/223
 2015/0241925 A1* 8/2015 Seo G06F 1/1652
 361/679.27
 2015/0241927 A1* 8/2015 Ryu G06F 1/1616
 361/679.27
 2016/0062412 A1* 3/2016 Park G06F 1/1616
 361/679.27

OTHER PUBLICATIONS

Samsung, Foldable Phone, as posted at Concept Phones [online],
 posted on Sep. 18, 2015 [site visited Jul. 28, 2016] Available from
 the Internet, <URL: <http://www.concept-phones.com/samsung/samsung-foldable-phone-coming-year-supposedly/>>.*

* cited by examiner

FIG. 1

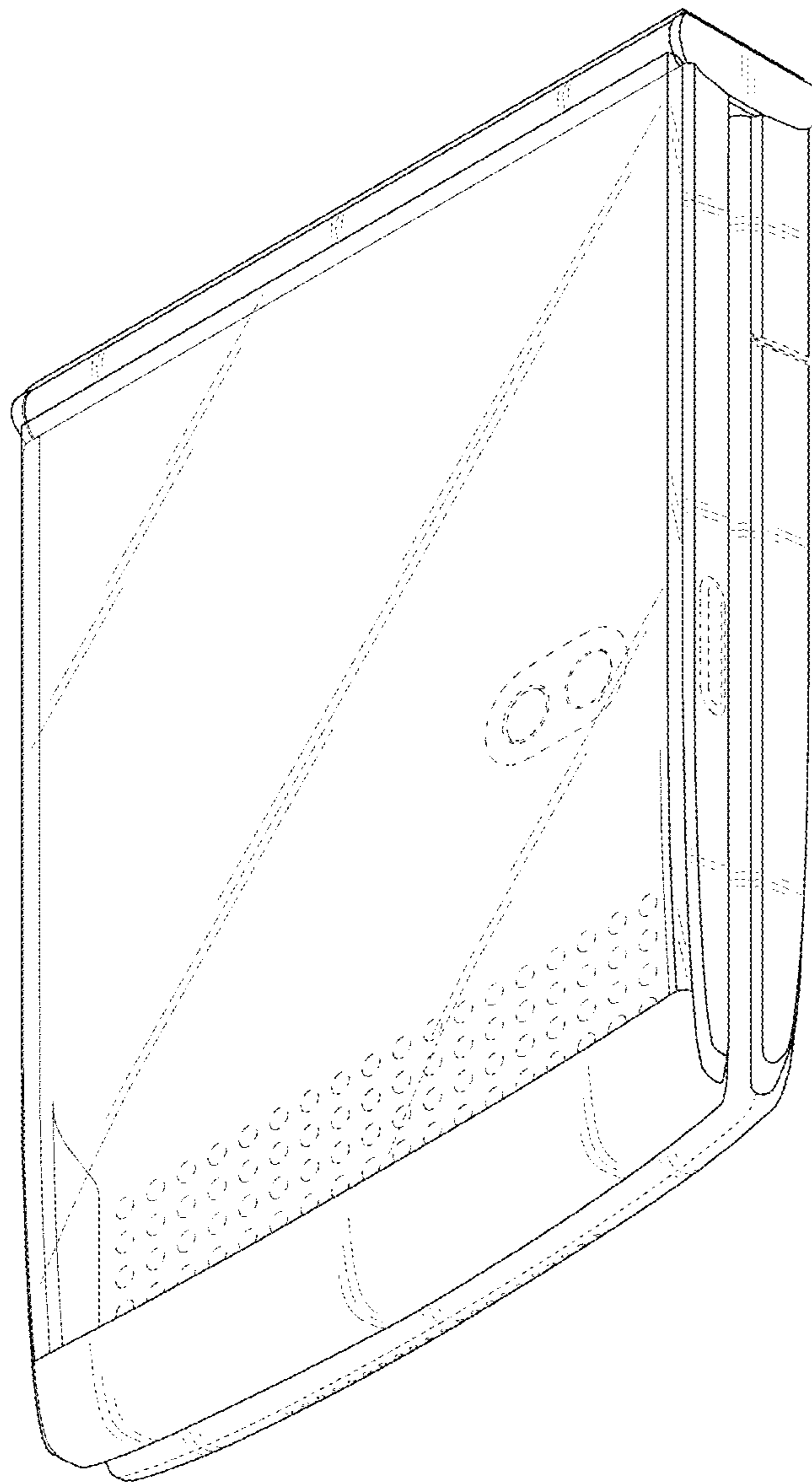


FIG. 2

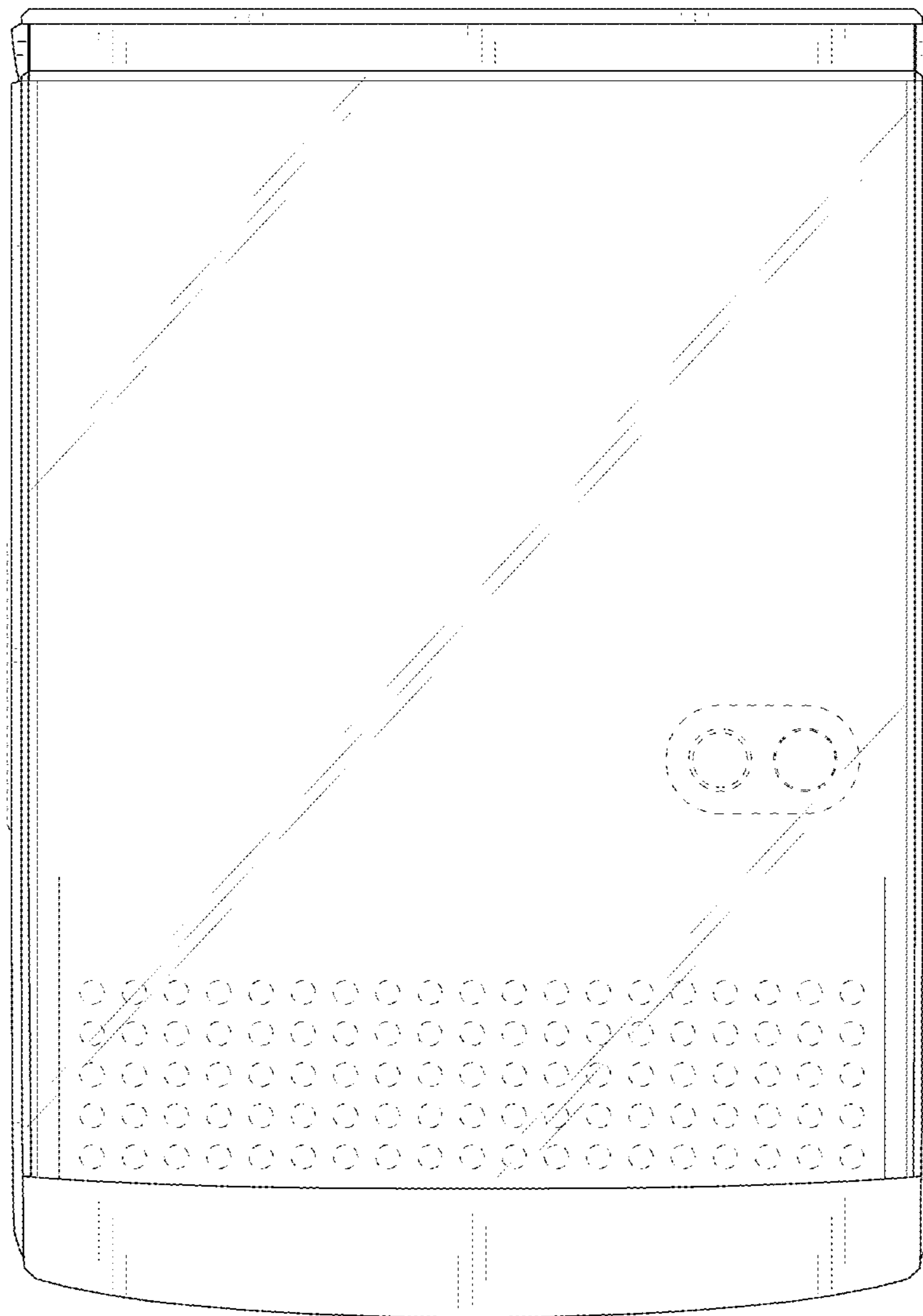


FIG. 3

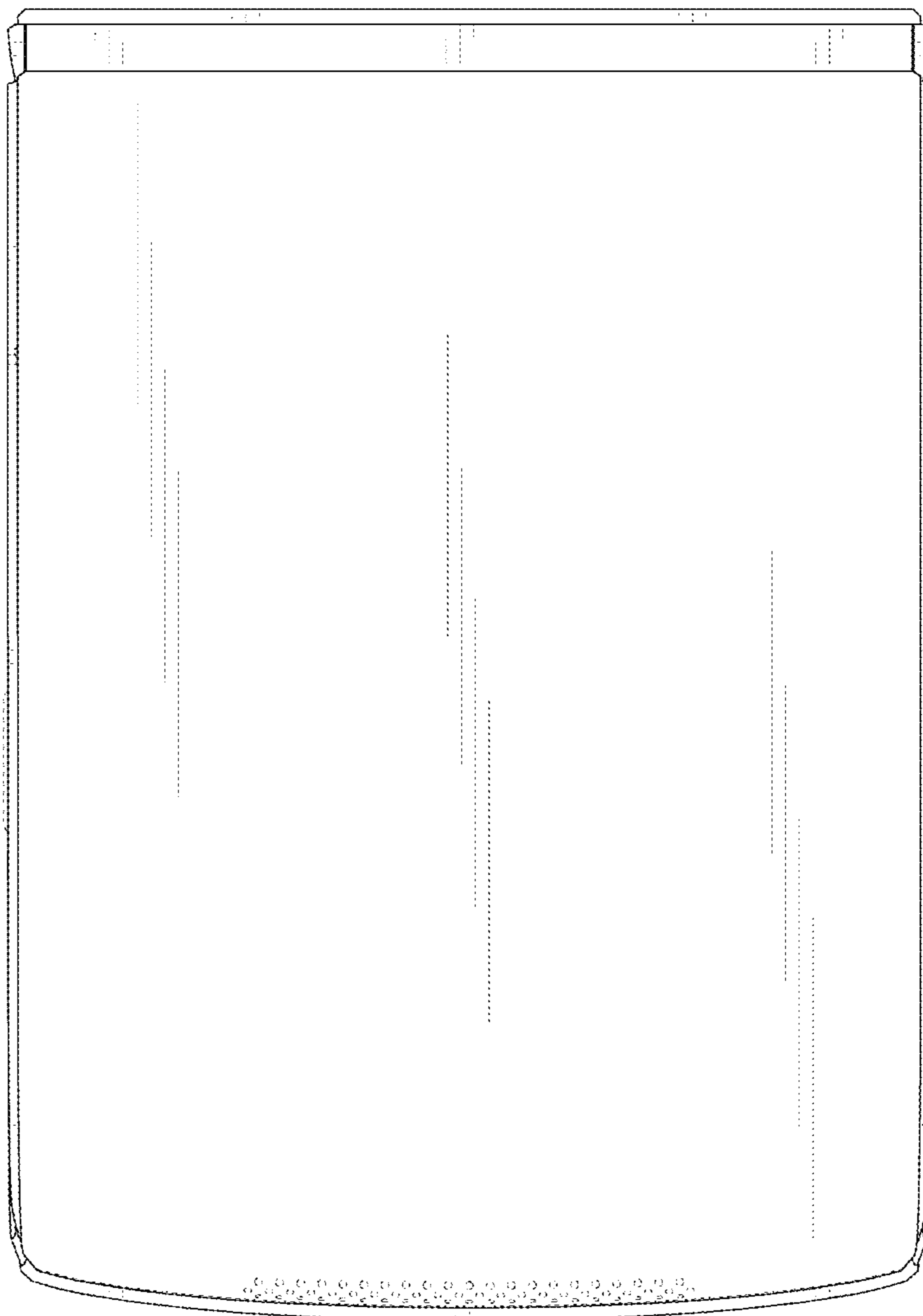


FIG. 4

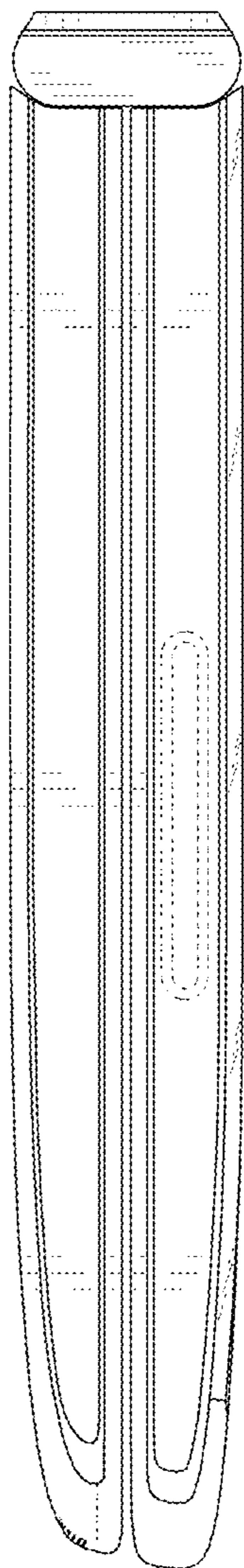


FIG. 5

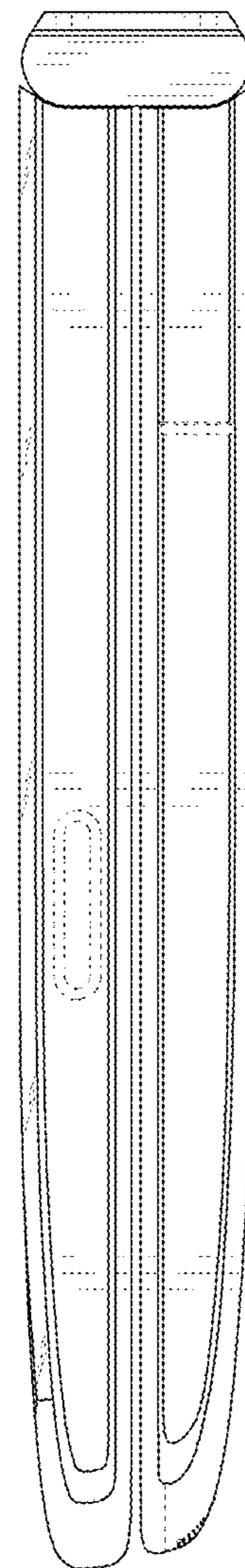


FIG. 6

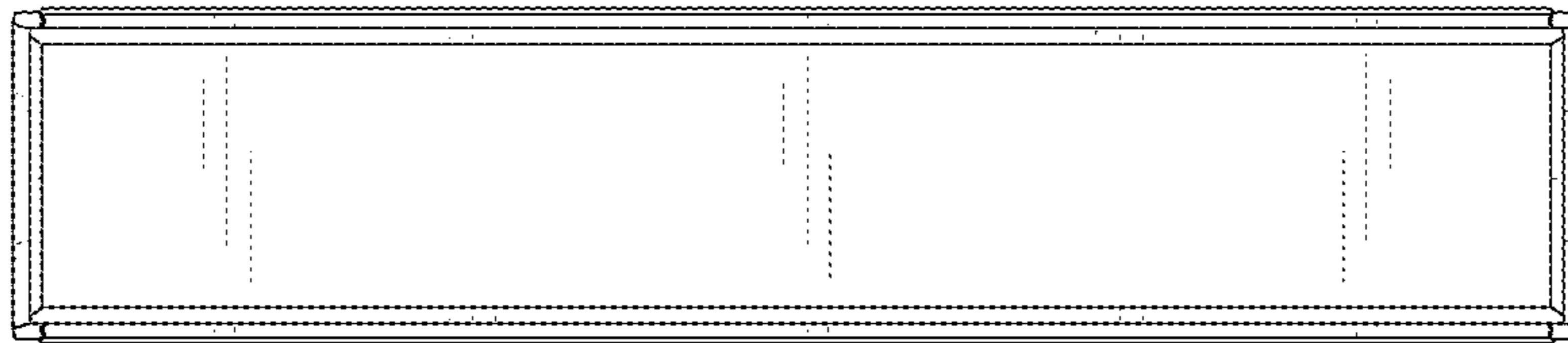


FIG. 7

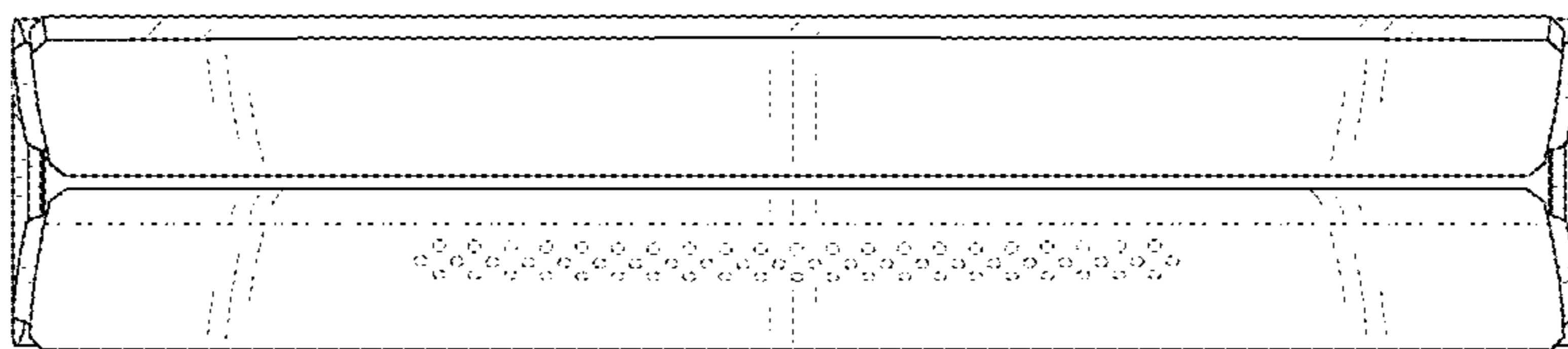


FIG. 8

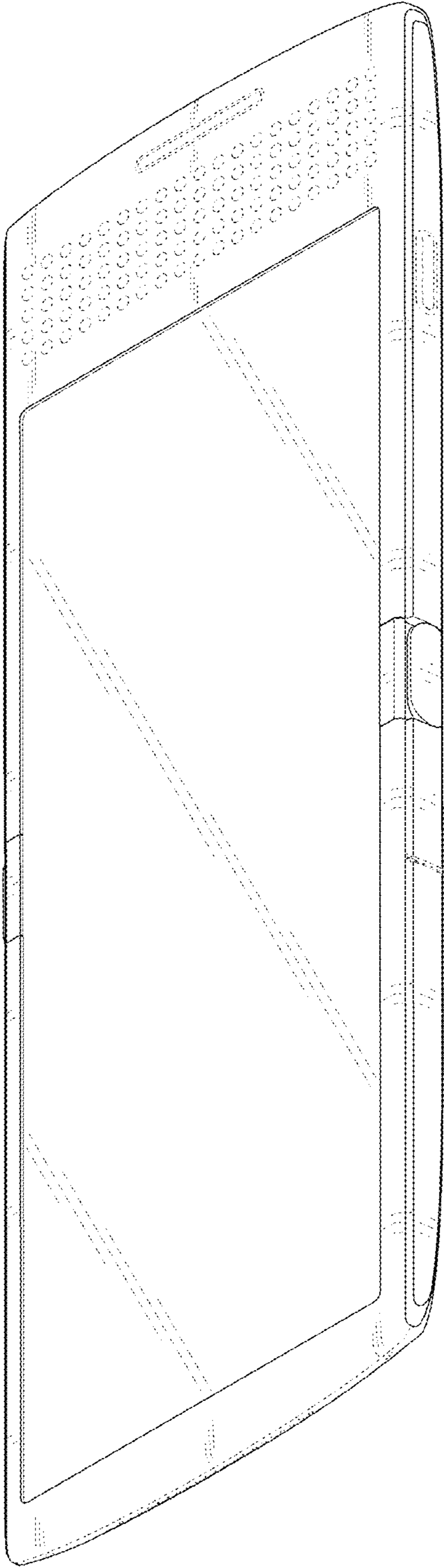


FIG. 9

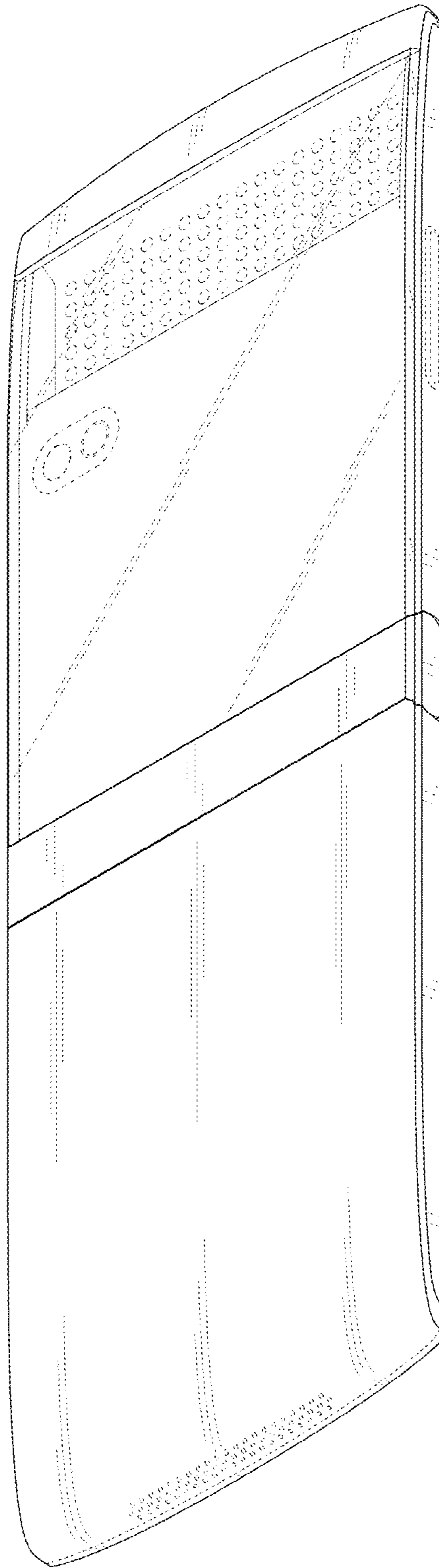


FIG. 10

