



US00D782435S

(12) **United States Design Patent** (10) **Patent No.:** **US D782,435 S**
Yuan et al. (45) **Date of Patent:** **** Mar. 28, 2017**

(54) **MOBILE PHONE**

(71) Applicant: **Huawei Device Co., LTD**, Shenzhen (CN)

(72) Inventors: **Jue Yuan**, Shanghai (CN); **Jiayi Wang**, Shanghai (CN); **Qingmeng Li**, Shanghai (CN); **Yanxin Dai**, Shanghai (CN)

(73) Assignee: **Huawei Device Co., LTD** (CN)

(**) Term: **14 Years**

(21) Appl. No.: **29/493,383**

(22) Filed: **Jun. 9, 2014**

(30) **Foreign Application Priority Data**

Dec. 9, 2013 (CN) 2013 3 0609345

(51) **LOC (10) Cl.** **14-03**

(52) **U.S. Cl.**
USPC **D14/138 AA; D14/138 C; D14/138 G**

(58) **Field of Classification Search**
USPC D14/341, 138 G, 138 AC, 191, 203.1, D14/203.8, 496, 138 AA; D10/78, 104, D10/65; D13/168; 455/566, 575.1, 574
CPC H04M 1/0208; H04M 1/15; H04M 1/0237; H01M 2/1066
See application file for complete search history.

(56) **References Cited**

U.S. PATENT DOCUMENTS

- D337,569 S * 7/1993 Kando D14/341
- D528,993 S * 9/2006 Wilson D13/168
- D561,702 S * 2/2008 Ohta D13/168
- 7,647,079 B2 * 1/2010 Zuo H01M 2/1066
455/550.1
- D636,752 S * 4/2011 Liao D14/138 G
- D640,255 S * 6/2011 Lee D14/341
- D651,601 S * 1/2012 Ichise D14/341

- D654,887 S * 2/2012 McManigal D14/138 G
 - D656,477 S * 3/2012 Yi D14/138 G
 - D664,518 S * 7/2012 Ryu D14/138 G
- (Continued)

FOREIGN PATENT DOCUMENTS

- CA 1483821 * 8/2012
 - CA 145841 * 1/2013
- (Continued)

OTHER PUBLICATIONS

Huawei Unveils 4 Africa Smartphone to Nigeria, Announced May 14, 2013, [Site Visited Dec. 11, 2015] <http://connectnigeria.com/articles/2013/05/14/huawei-unveils-4africa-smartphone-to-nigeria/>.*

(Continued)

Primary Examiner — John Windmuller
(74) *Attorney, Agent, or Firm* — Design IP

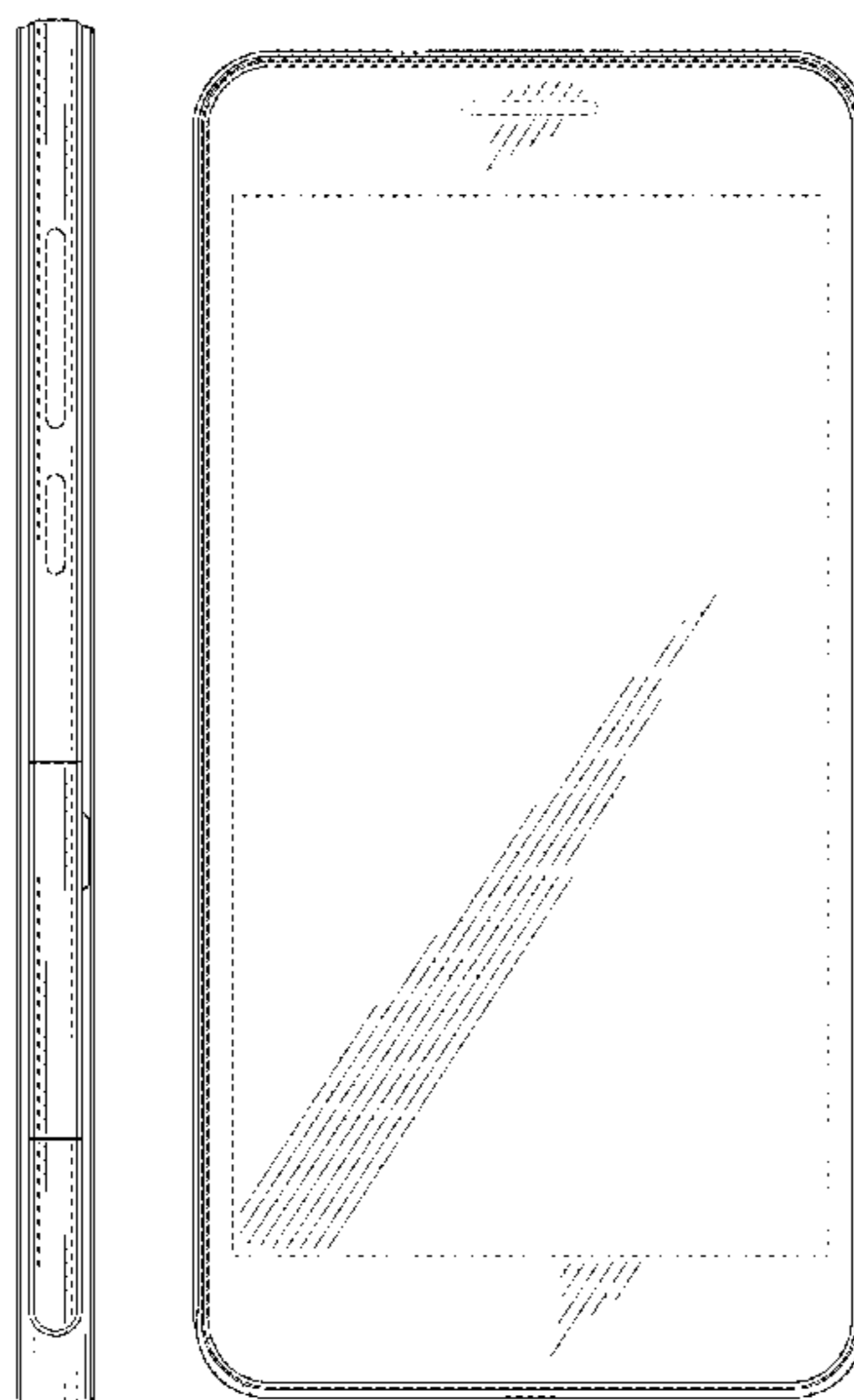
(57) **CLAIM**

The ornamental design for a mobile phone, as shown and described.

DESCRIPTION

FIG. 1 is a bottom view of a mobile phone;
FIG. 2 is a top view thereof;
FIG. 3 is a right side view thereof;
FIG. 4 is a front view thereof;
FIG. 5 is a left side view thereof;
FIG. 6 is a back view thereof; and,
FIG. 7 is a front perspective view thereof.
The broken line portion of the figure drawings is included to show unclaimed subject matter only and forms no part of the claimed design. The oblique line shading shown in FIGS. 4 and 7 represents a glass surface.

1 Claim, 6 Drawing Sheets



(56)

References Cited

U.S. PATENT DOCUMENTS

D665,372 S * 8/2012 Park D14/138 G
 D665,763 S * 8/2012 Tsai D14/138 G
 D668,238 S * 10/2012 Kim D14/138 G
 D669,875 S * 10/2012 Kim D14/138 G
 D671,086 S * 11/2012 Yu D14/138 G
 D671,905 S * 12/2012 Mauritzson D14/138 G
 D673,131 S * 12/2012 Sugiyama D14/138 G
 D675,589 S * 2/2013 Han D14/138 G
 D676,011 S * 2/2013 Park D14/138 G
 D676,400 S * 2/2013 Kitamura D14/138 G
 D677,233 S * 3/2013 Mauritzson D14/138 G
 D677,234 S * 3/2013 Hirano D14/138 G
 D677,235 S * 3/2013 Hibi D14/138 G
 D688,639 S * 8/2013 Tsai D14/138 G
 D689,480 S * 9/2013 Akana D14/341
 D690,693 S * 10/2013 Akana D14/341
 D692,846 S * 11/2013 Lee D14/138 G
 D695,256 S * 12/2013 Kim D14/138 G
 D713,812 S * 9/2014 Hachiya D14/138 G
 2007/0232361 A1 * 10/2007 Park H04M 1/0208
 455/566
 2007/0287514 A1 * 12/2007 Lin H04M 1/15
 455/575.1
 2008/0274776 A1 * 11/2008 Cho H04M 1/0237
 455/575.4
 2012/0157174 A1 * 6/2012 Woo H04M 1/0237
 455/575.4

FOREIGN PATENT DOCUMENTS

CA 146199 * 3/2013
 CN 300940191 * 6/2009

OTHER PUBLICATIONS

China's Huawei Revels 'Fastest Smartphone in the World' As it
 Struggles for Respect in US, Announced Feb. 25, 2013, [Site
 Visited Dec. 11, 2015] [http://www.foxnews.com/tech/2013/02/25/
 china-huawei-fastest-smartphone-in-world.html](http://www.foxnews.com/tech/2013/02/25/china-huawei-fastest-smartphone-in-world.html).
 LG Launches GT540 Swift Android Phone, Announced May 4,
 2010, [Site Visited Dec. 11, 2015] [http://www.networldchat.com/
 lg-launches-gt540-swift-android-phone/](http://www.networldchat.com/lg-launches-gt540-swift-android-phone/).
 Superslim Huawei P6 Smartphone Looks Great But Don't Expect a
 US Launch, Announced Jun. 18, 2013, [Site Visited Dec. 11, 2015
][http://www.techhive.com/article/2042342/superslim-huawei-p6-
 smartphone-looks-great-but-dont-expect-a-u-s-launch.html](http://www.techhive.com/article/2042342/superslim-huawei-p6-smartphone-looks-great-but-dont-expect-a-u-s-launch.html).

* cited by examiner

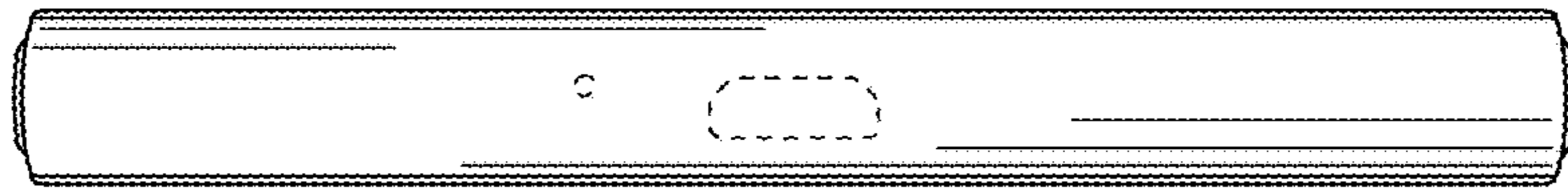


FIG. 1

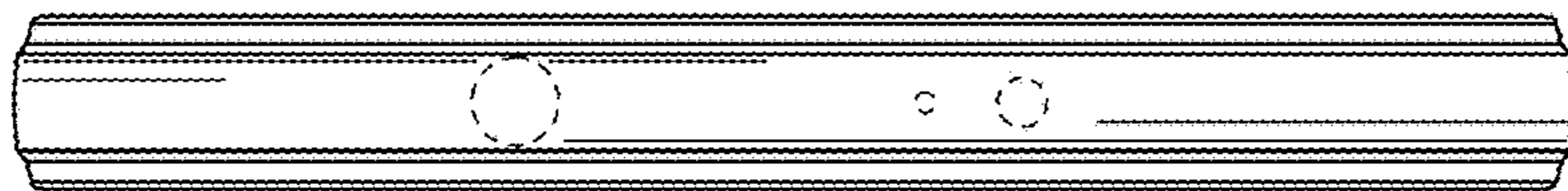


FIG. 2



FIG. 3

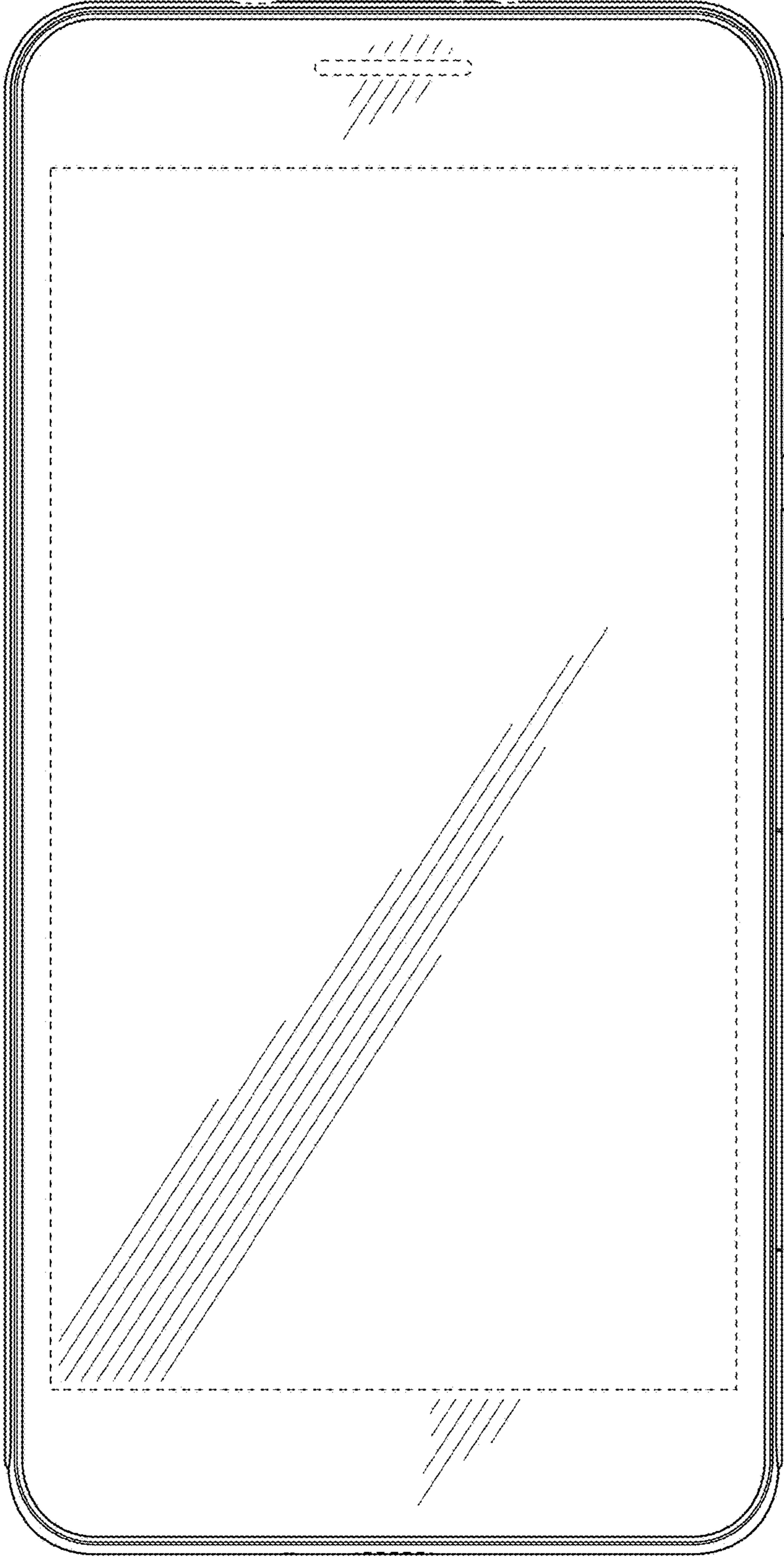


FIG. 4



FIG. 5

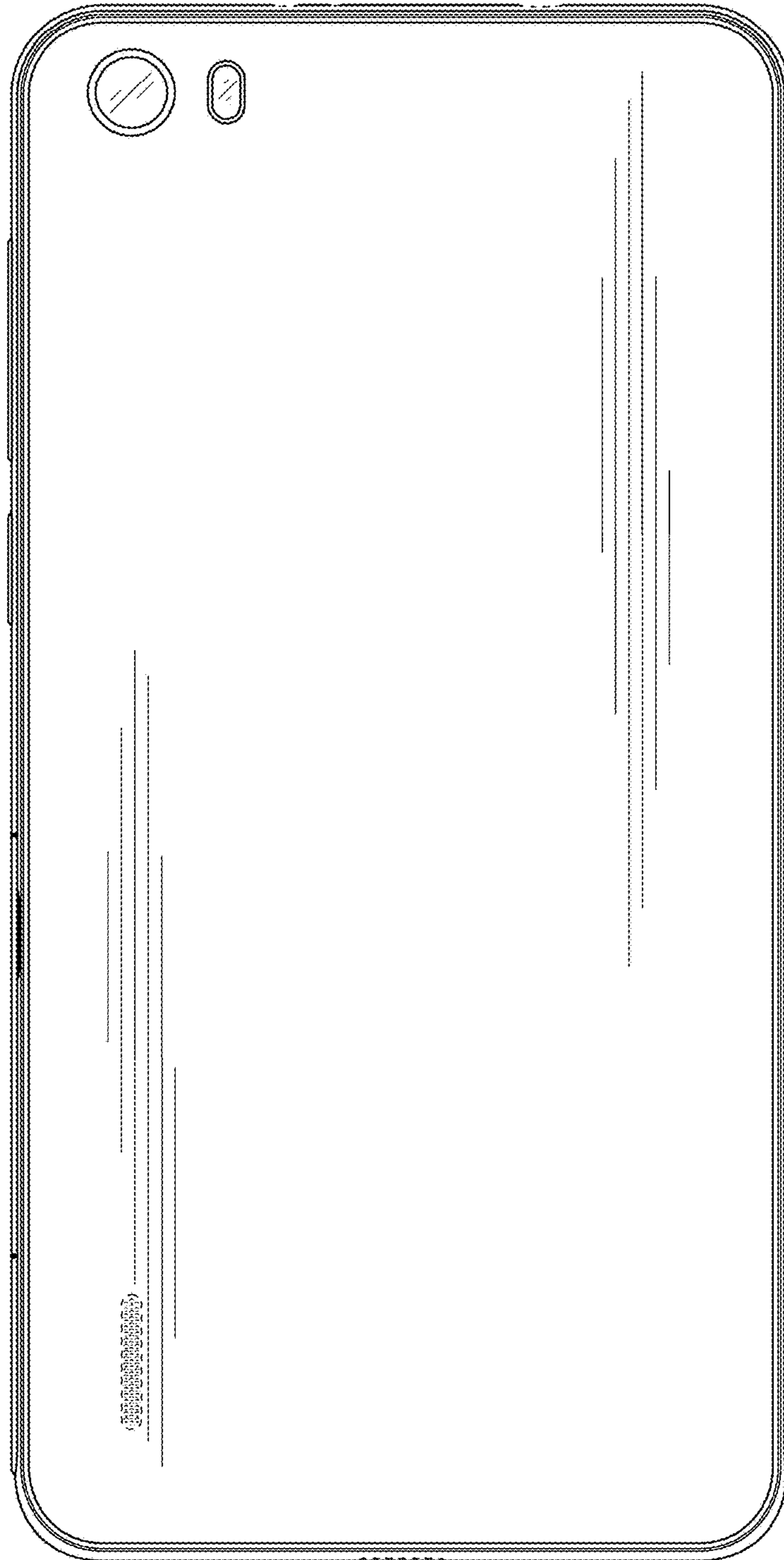


FIG. 6

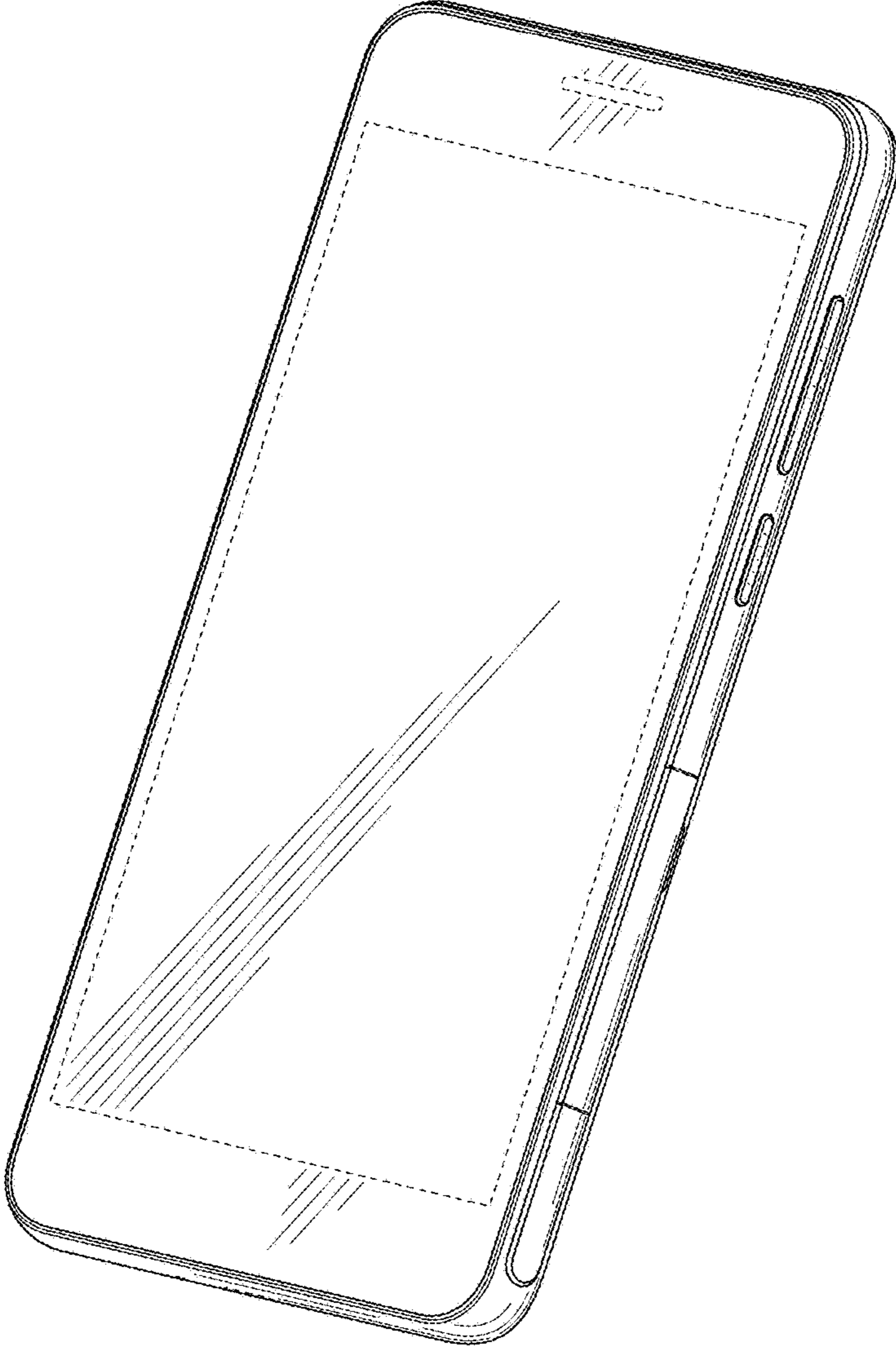


FIG. 7