



US00D782432S

(12) **United States Design Patent**  
**So et al.**

(10) **Patent No.:** **US D782,432 S**  
(45) **Date of Patent:** **\*\* Mar. 28, 2017**

(54) **TELEVISION RECEIVER**

5/0004; H05K 5/0017; H05K 5/02; H05K  
5/0217; H04N 13/0459

See application file for complete search history.

(71) Applicant: **Samsung Electronics Co., Ltd.**,  
Suwon-si, Gyeonggi-do (KR)

(56) **References Cited**

(72) Inventors: **Kwanghyuck So**, Seoul (KR);  
**Chulyong Cho**, Seoul (KR); **Jaeneung  
Lee**, Ansan-si (KR)

U.S. PATENT DOCUMENTS

D373,584 S \* 9/1996 Anand ..... D14/126  
D545,776 S \* 7/2007 Kwon ..... D14/126  
D563,914 S \* 3/2008 Chiu ..... D14/126

(Continued)

(73) Assignee: **SAMSUNG ELECTRONICS CO.,  
LTD.**, Gyeonggi-Do (KR)

FOREIGN PATENT DOCUMENTS

(\*\*) Term: **15 Years**

EM 001103220-0012 3/2009  
JP D1177095 S 4/2003

(21) Appl. No.: **29/556,660**

OTHER PUBLICATIONS

(22) Filed: **Mar. 2, 2016**

Loewe. p. 1 of 1 [online]. [retrieved on Mar. 2, 2016]. Retrieved  
from the Internet: <URL: <https://www.loewe.tv/int/reference-selection.html>.

(30) **Foreign Application Priority Data**

Sep. 3, 2015 (KR) ..... 30-2015-0044717

*Primary Examiner* — Raphael Barkai

(51) **LOC (10) Cl.** ..... **14-03**

(74) *Attorney, Agent, or Firm* — Cantor Colburn, LLP

(52) **U.S. Cl.**

(57) **CLAIM**

USPC ..... **D14/126**

The ornamental design for a television receiver, as shown  
and described.

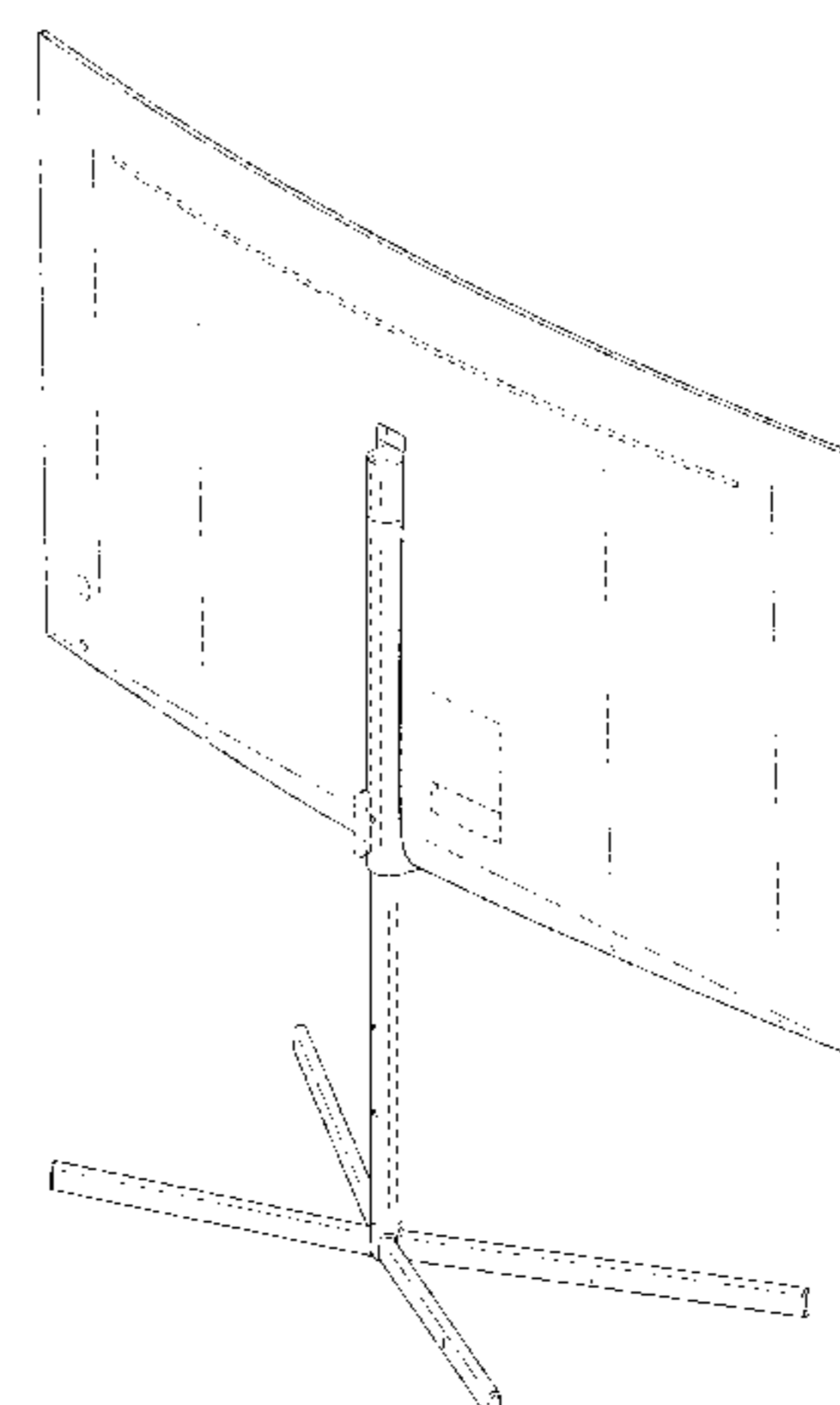
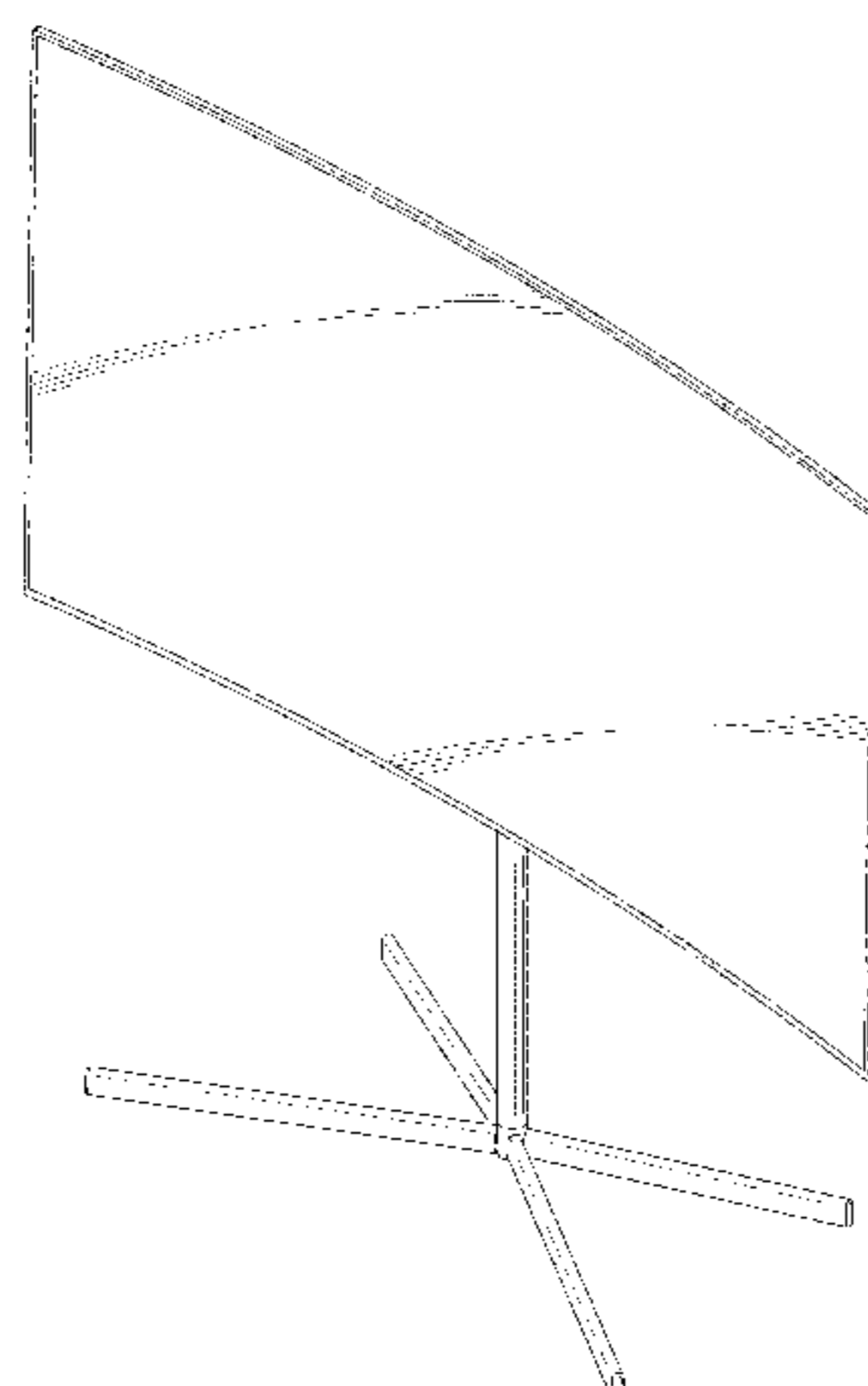
(58) **Field of Classification Search**

**DESCRIPTION**

USPC ..... D14/125-134, 239, 371, 136, 374-377,  
D14/440, 450, 448, 336, 342, 159;  
312/7.2; 348/836, 838, 180, 184, 325,  
348/739; 248/917-924, 465; 345/104,  
345/133, 156, 168, 87, 173; D21/329,  
D21/515, 577, 622, 333, 433, 448, 452,  
D21/450, 331, 505; D10/15, 26;  
446/484, 175, 356; D6/477, 479, 300;  
D20/10, 19, 39; D16/203, 241; 160/24  
CPC .... G06F 1/1601; G06F 1/1643; G06F 1/1652;  
G06F 1/1647; G06F 3/0412; H05K

FIG. 1 is a front perspective view of a television receiver  
showing our new design;  
FIG. 2 is a front elevational view thereof;  
FIG. 3 is a rear elevational view thereof;  
FIG. 4 is a left side elevational view thereof;  
FIG. 5 is a right side elevational view thereof;  
FIG. 6 is a top plan view thereof;  
FIG. 7 is a bottom plan view thereof;  
FIG. 8 is a rear perspective view thereof; and,  
FIG. 9 is another front perspective view thereof, as shown in  
another configuration.

(Continued)



The broken lines in the figures show portions of the television receiver which form no part of the claimed design.

**1 Claim, 9 Drawing Sheets**

(56)

**References Cited**

U.S. PATENT DOCUMENTS

D591,250 S	4/2009	Yoshimura	
D599,755 S *	9/2009	Jin .....	D14/126
D624,895 S *	10/2010	Kasuga .....	D14/126
D626,101 S *	10/2010	Kim .....	D14/126
D671,083 S *	11/2012	Kim .....	D14/126
D677,638 S *	3/2013	Kim .....	D14/126
D682,271 S *	5/2013	Kim .....	D14/374
D709,842 S *	7/2014	Lee .....	D14/126
D711,333 S *	8/2014	Kim .....	D14/126
D720,315 S *	12/2014	Kim .....	D14/126
D725,616 S *	3/2015	Oh .....	D14/126
D734,280 S *	7/2015	Choi .....	D14/126
D758,983 S *	6/2016	Kim .....	D14/126
D763,213 S *	8/2016	Ann .....	D14/126
2003/0058372 A1 *	3/2003	Williams .....	F16M 11/18 348/836

\* cited by examiner

FIG. 1

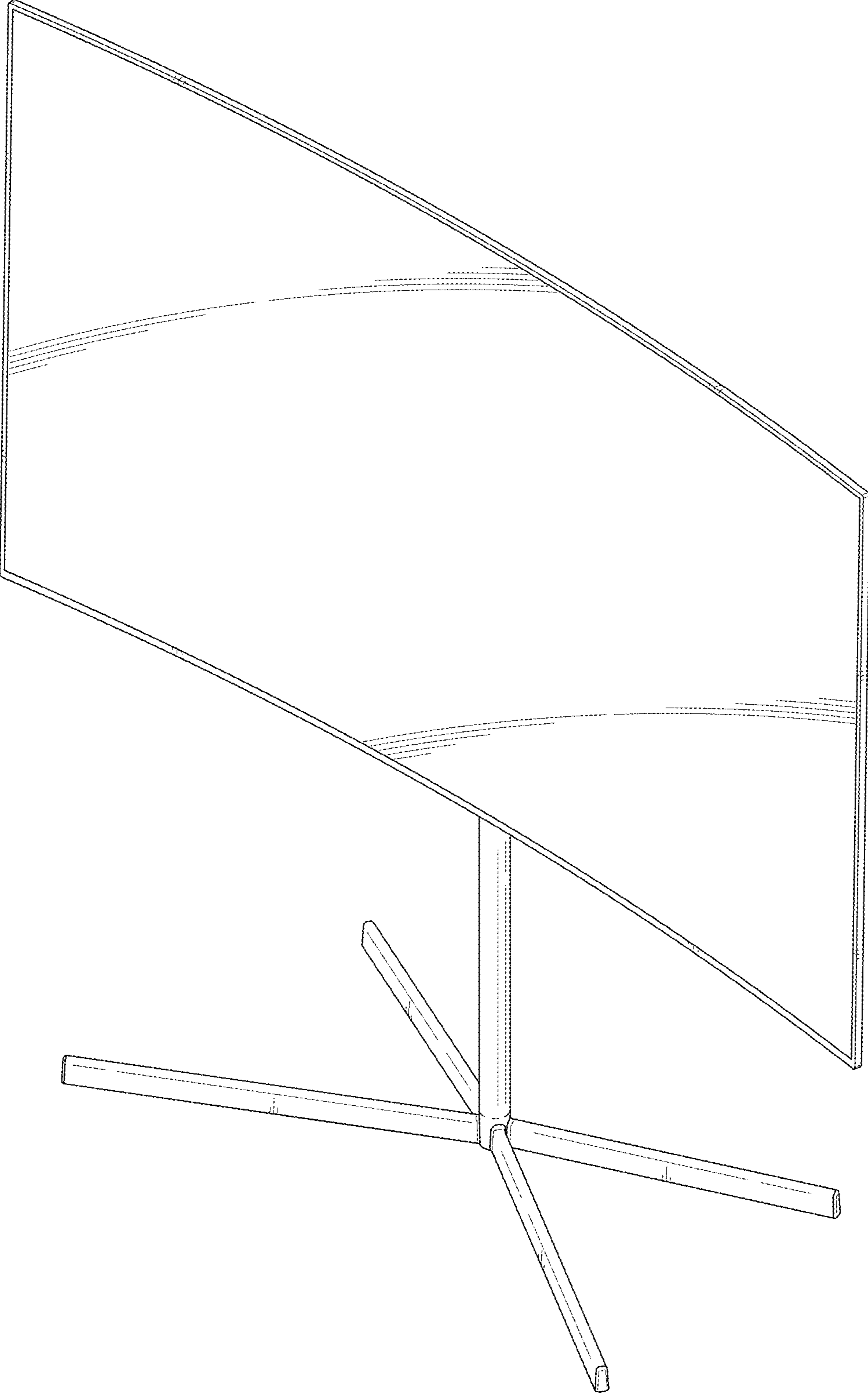


FIG. 2

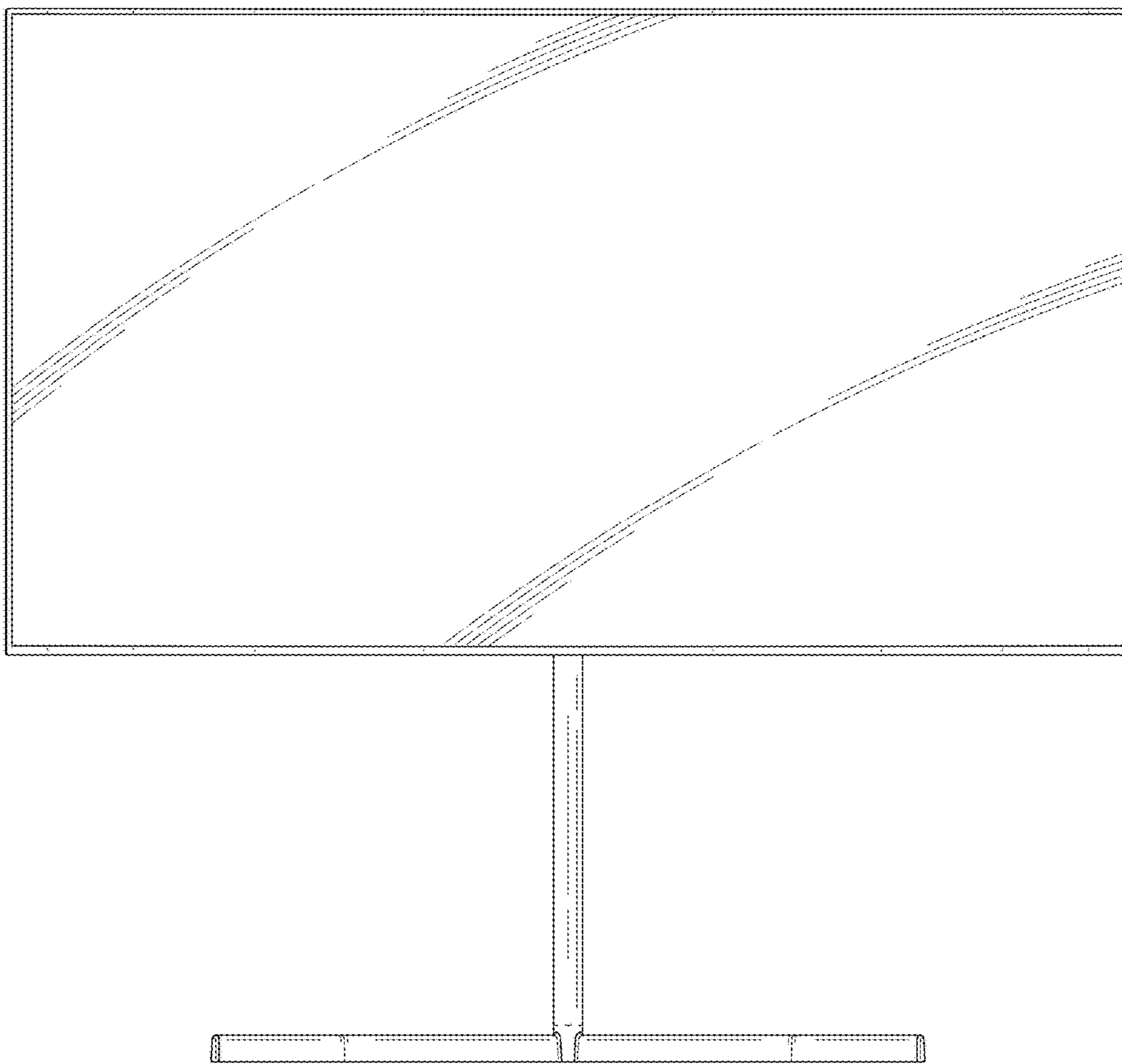


FIG. 3

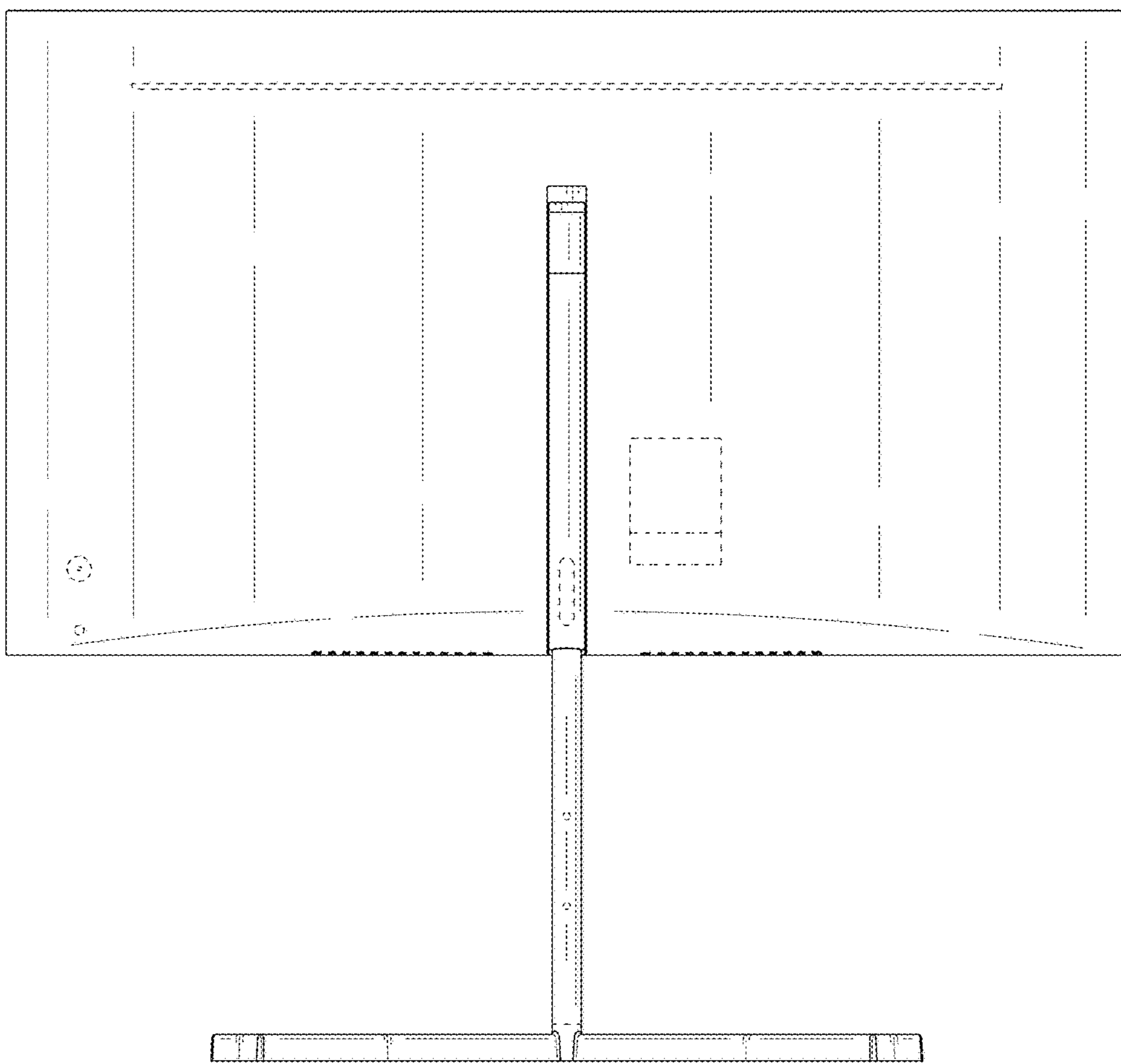


FIG. 4

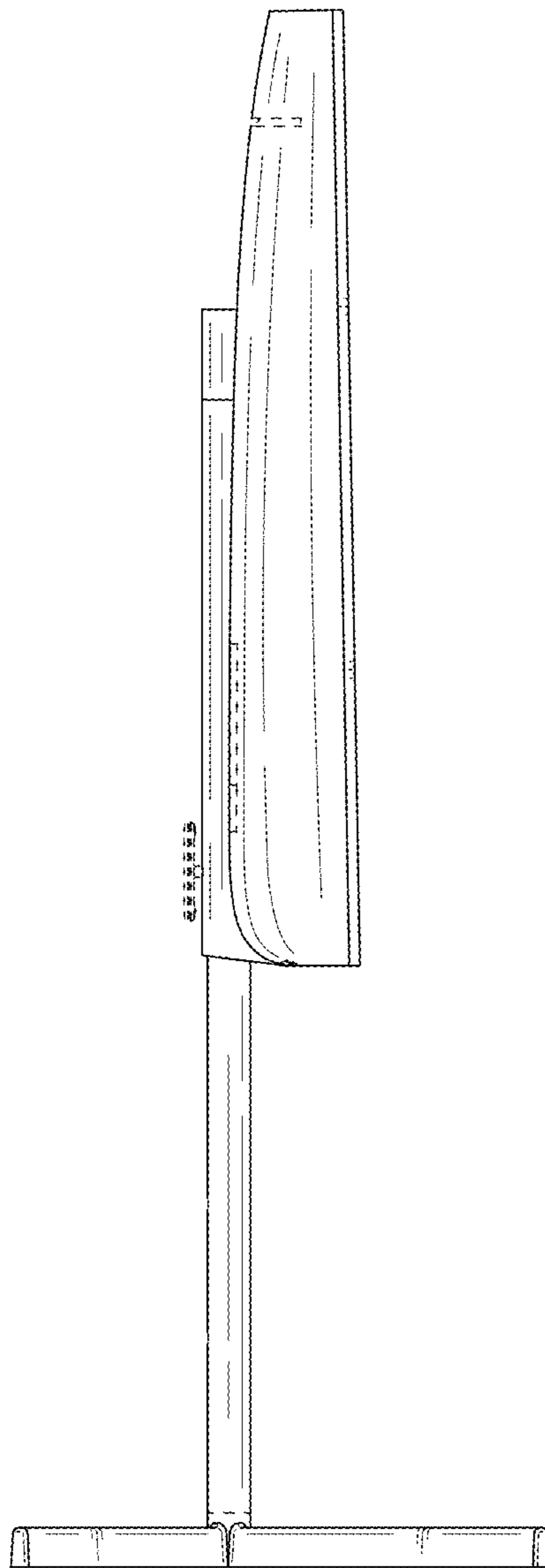


FIG. 5

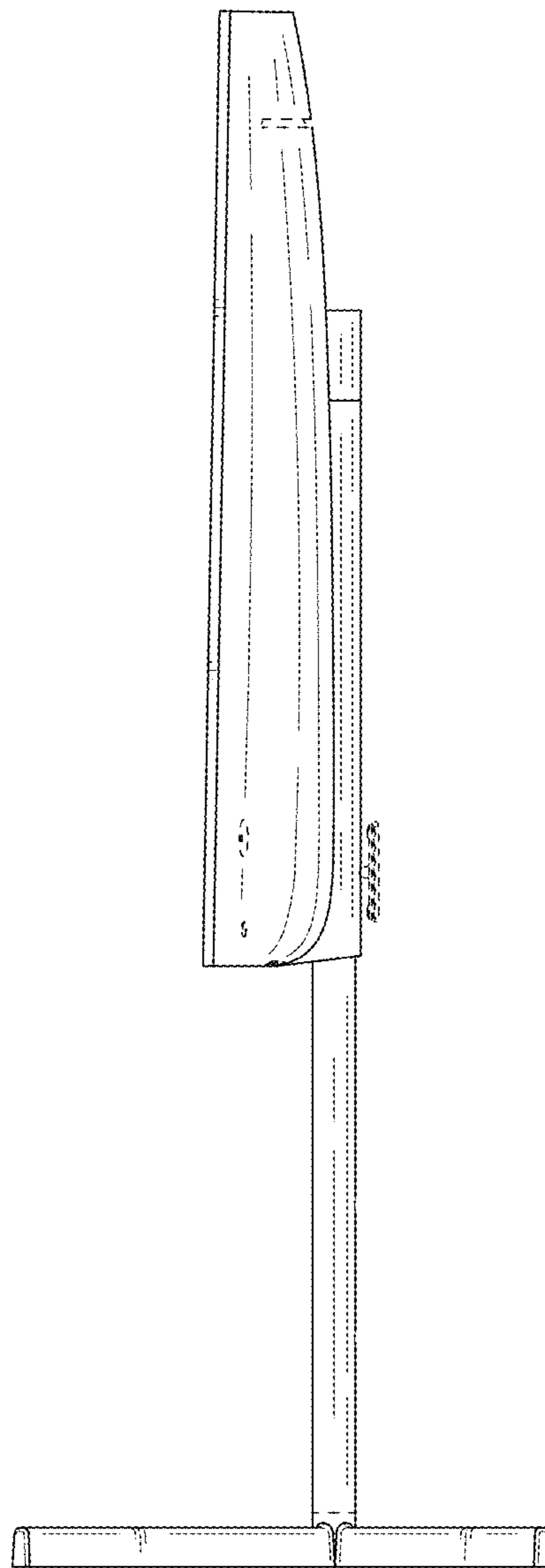


FIG. 6

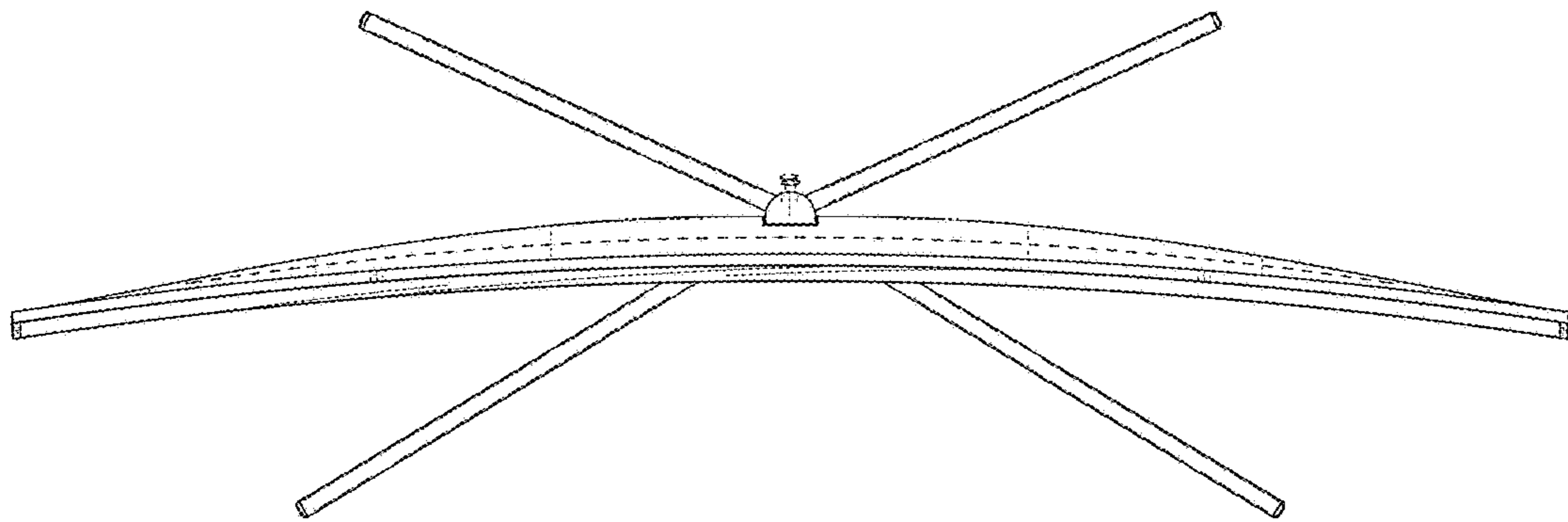




FIG. 7

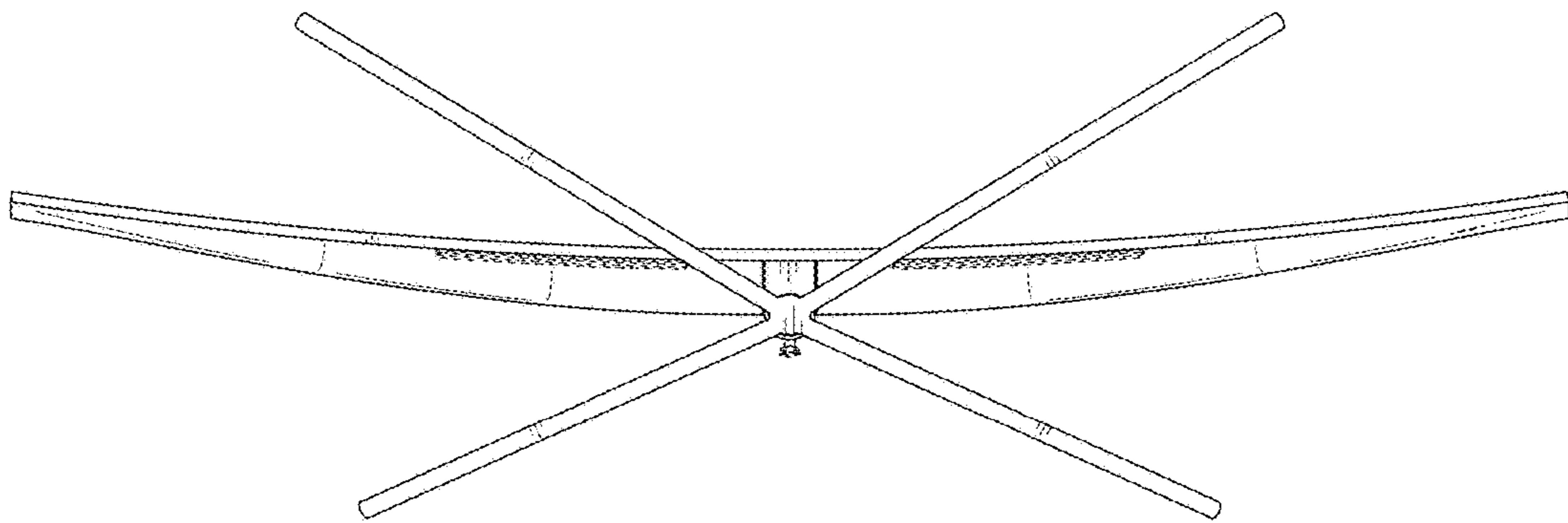


FIG. 8

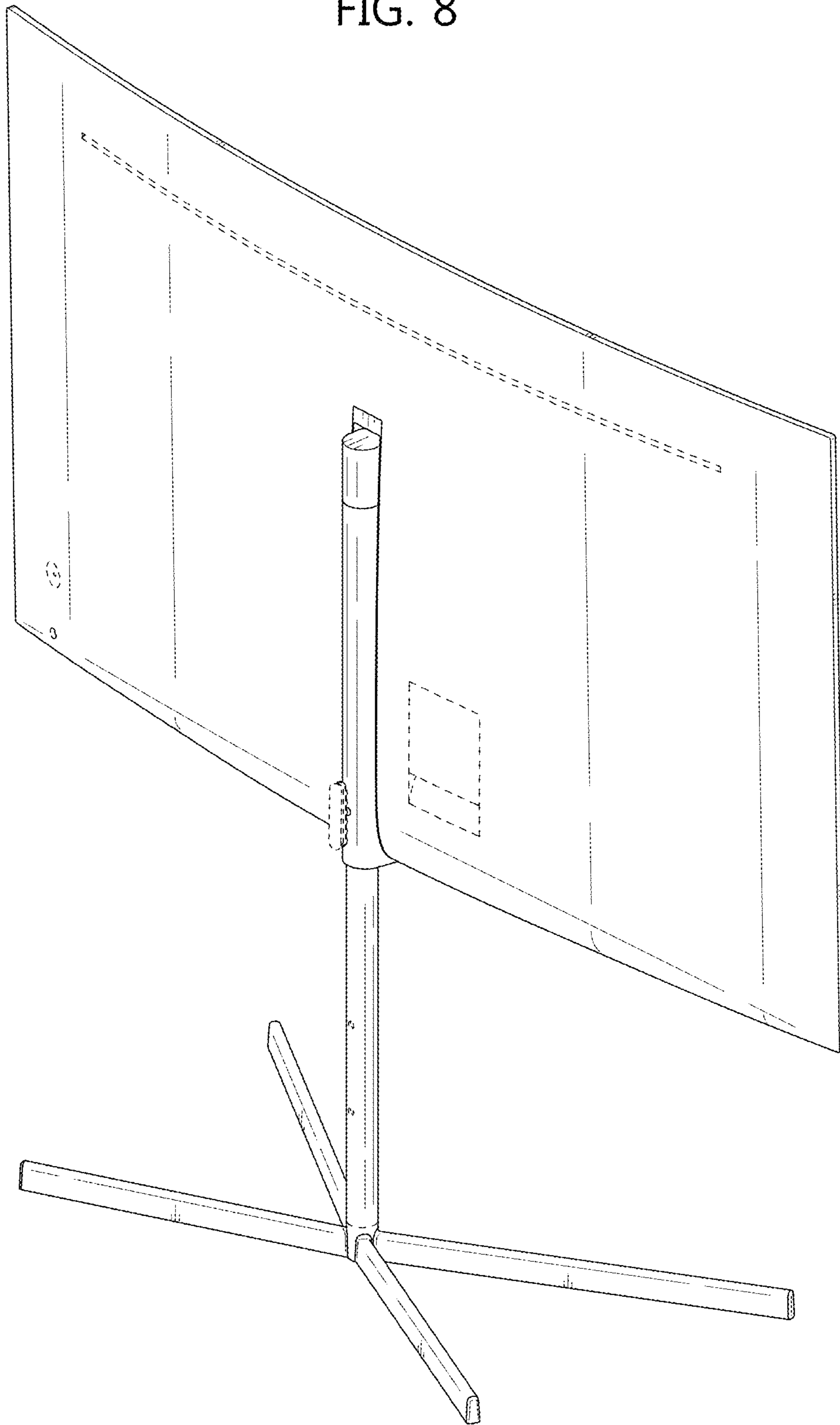


FIG. 9

