



US00D782428S

(12) **United States Design Patent**
Tsai

(10) **Patent No.:** **US D782,428 S**
(45) **Date of Patent:** **** Mar. 28, 2017**

(54) **PORTION OF LIGHT-EMITTING DIODE UNIT**

(71) Applicant: **EPISTAR CORPORATION**, Hsinchu (TW)

(72) Inventor: **Min-yen Tsai**, Hsinchu (TW)

(73) Assignee: **EPISTAR CORPORATION**, Hsinchu (TW)

(**) Term: **15 Years**

(21) Appl. No.: **29/554,553**

(22) Filed: **Feb. 12, 2016**

(30) **Foreign Application Priority Data**

Aug. 12, 2015 (TW) 104304354

(51) **LOC (10) Cl.** **13-03**

(52) **U.S. Cl.**
USPC **D13/180**

(58) **Field of Classification Search**

USPC D13/180; D26/1
CPC ... H01L 25/167; H01L 25/0753; H01L 27/15;
H01L 27/156; H01L 33/00; H01L 33/04;
H01L 33/08; H01L 33/10; H01L 33/20;
H01L 33/38; H01L 33/42; H01L 33/48;
H01L 33/483; H01L 33/486; F21K 9/135;
F21K 9/30; F21K 9/50; Y10S 362/80

See application file for complete search history.

(56) **References Cited**

U.S. PATENT DOCUMENTS

D579,019 S * 10/2008 Lei D13/180
7,947,996 B2 * 5/2011 Sakamoto H01L 33/382
257/77
D647,493 S * 10/2011 Chang D13/180

D647,494 S * 10/2011 Chang D13/180
8,188,504 B2 * 5/2012 Lee H01L 27/15
257/103
8,319,233 B2 * 11/2012 Beom H01L 33/38
257/13
8,471,242 B2 * 6/2013 Kim H01L 33/42
257/13
8,546,840 B2 * 10/2013 Inoue H01L 33/38
257/99
D716,238 S * 10/2014 Yeh D13/180
D750,580 S * 3/2016 Yeh D13/180
9,306,123 B2 * 4/2016 Hon H01L 33/44
9,401,456 B2 * 7/2016 Lee H01L 33/38
9,484,500 B2 * 11/2016 Kim H01L 33/42
2011/0147784 A1 * 6/2011 Brockley H01L 33/38
257/99

(Continued)

Primary Examiner — Selina Sikder

(74) *Attorney, Agent, or Firm* — Muncy, Geissler, Olds & Lowe, P.C.

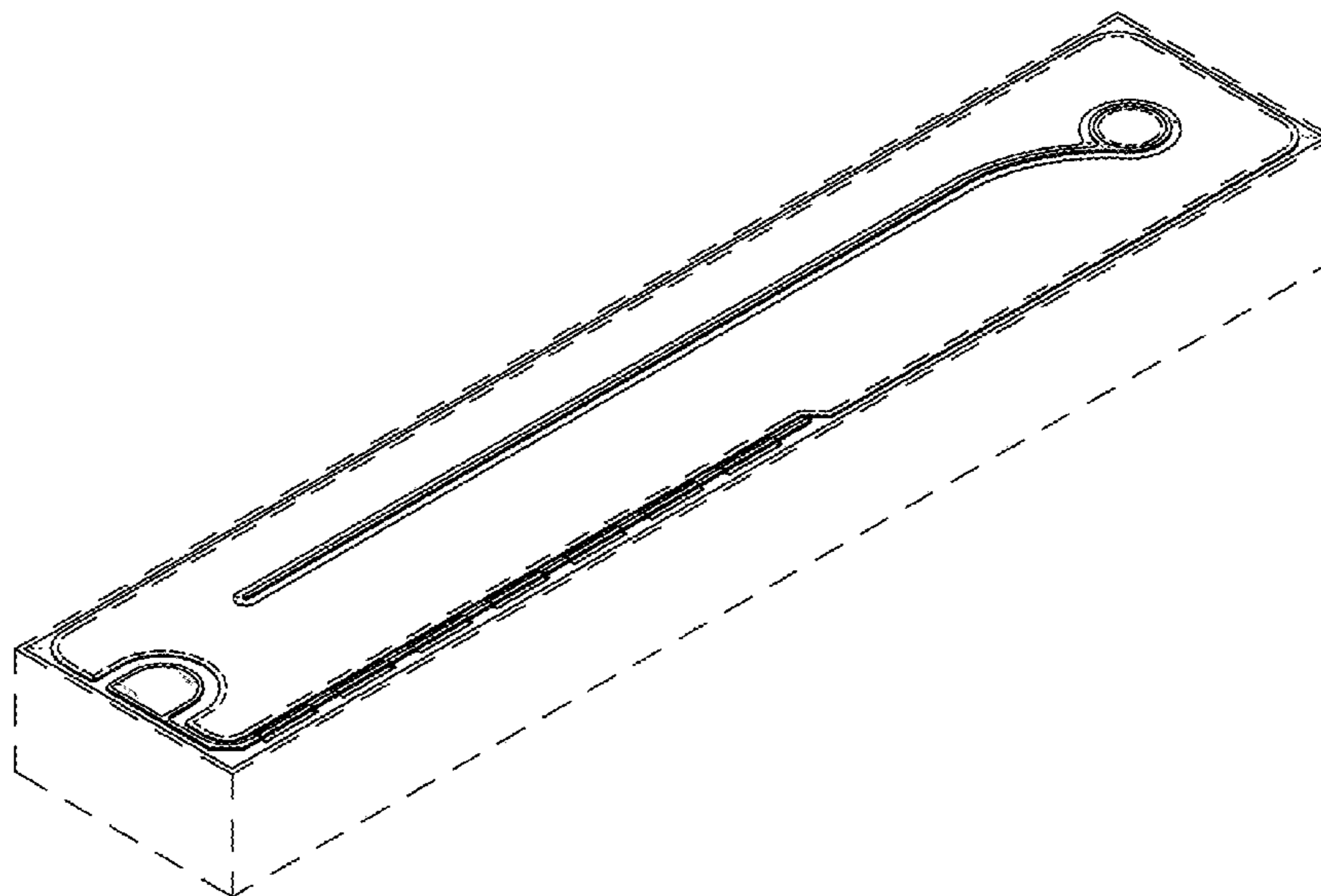
(57) **CLAIM**

The ornamental design for a portion of light-emitting diode unit, as shown and described.

DESCRIPTION

FIG. 1 is a perspective view of a portion of light-emitting diode unit showing our first example of the new design; FIG. 2 is another perspective view thereof; FIG. 3 is a front elevational view thereof; FIG. 4 is a rear elevational view thereof; FIG. 5 is a left side view thereof; FIG. 6 is a right side view thereof; FIG. 7 is a top plan view thereof; and, FIG. 8 is a bottom plan view thereof. The broken line showing is for the purpose of illustrating environmental structure only and forms no part of the claimed design.

1 Claim, 5 Drawing Sheets



(56)

References Cited

U.S. PATENT DOCUMENTS

2011/0215363 A1* 9/2011 Kimura H01L 33/36
257/99
2012/0098023 A1* 4/2012 Weng H01L 33/20
257/99

* cited by examiner

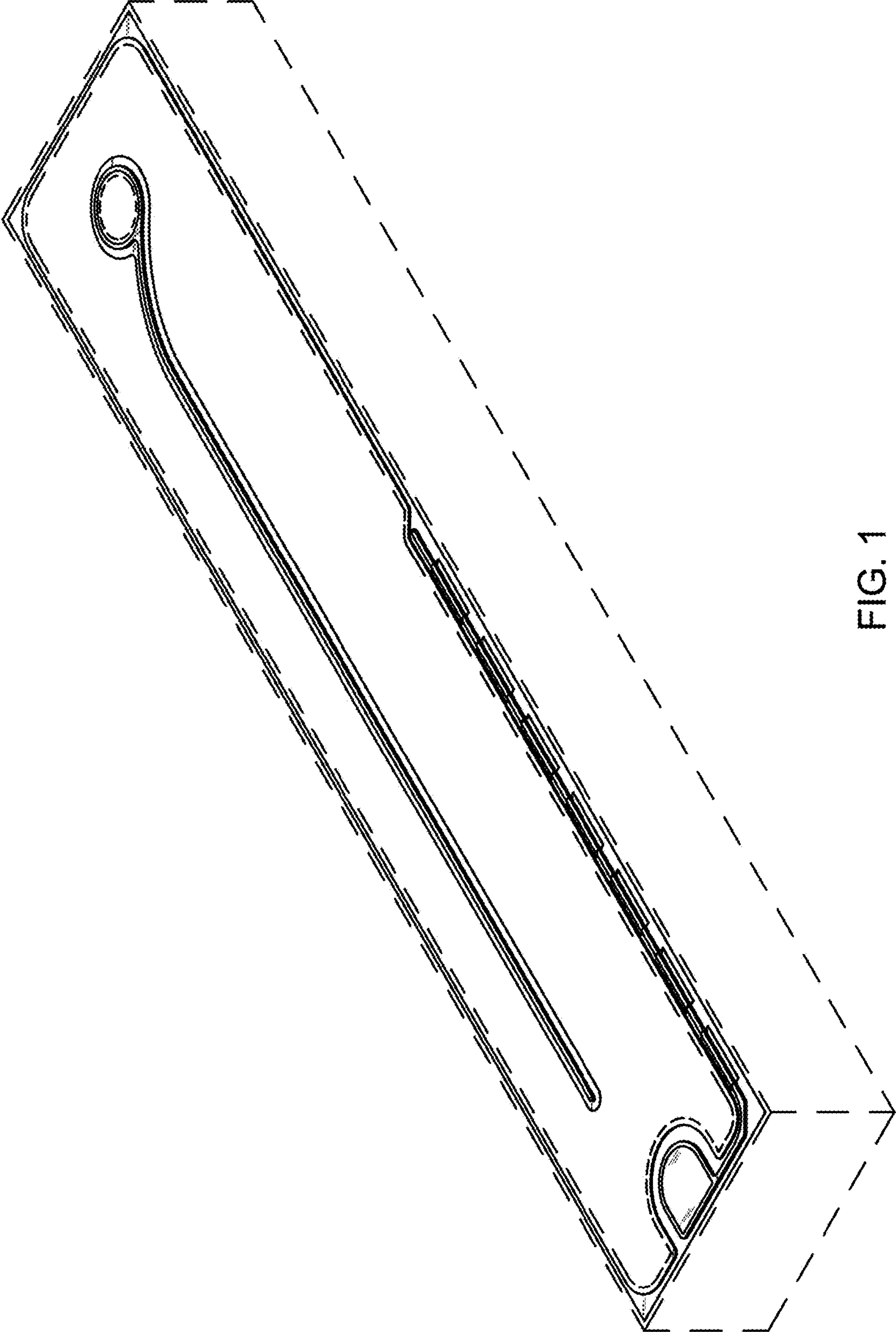


FIG. 1

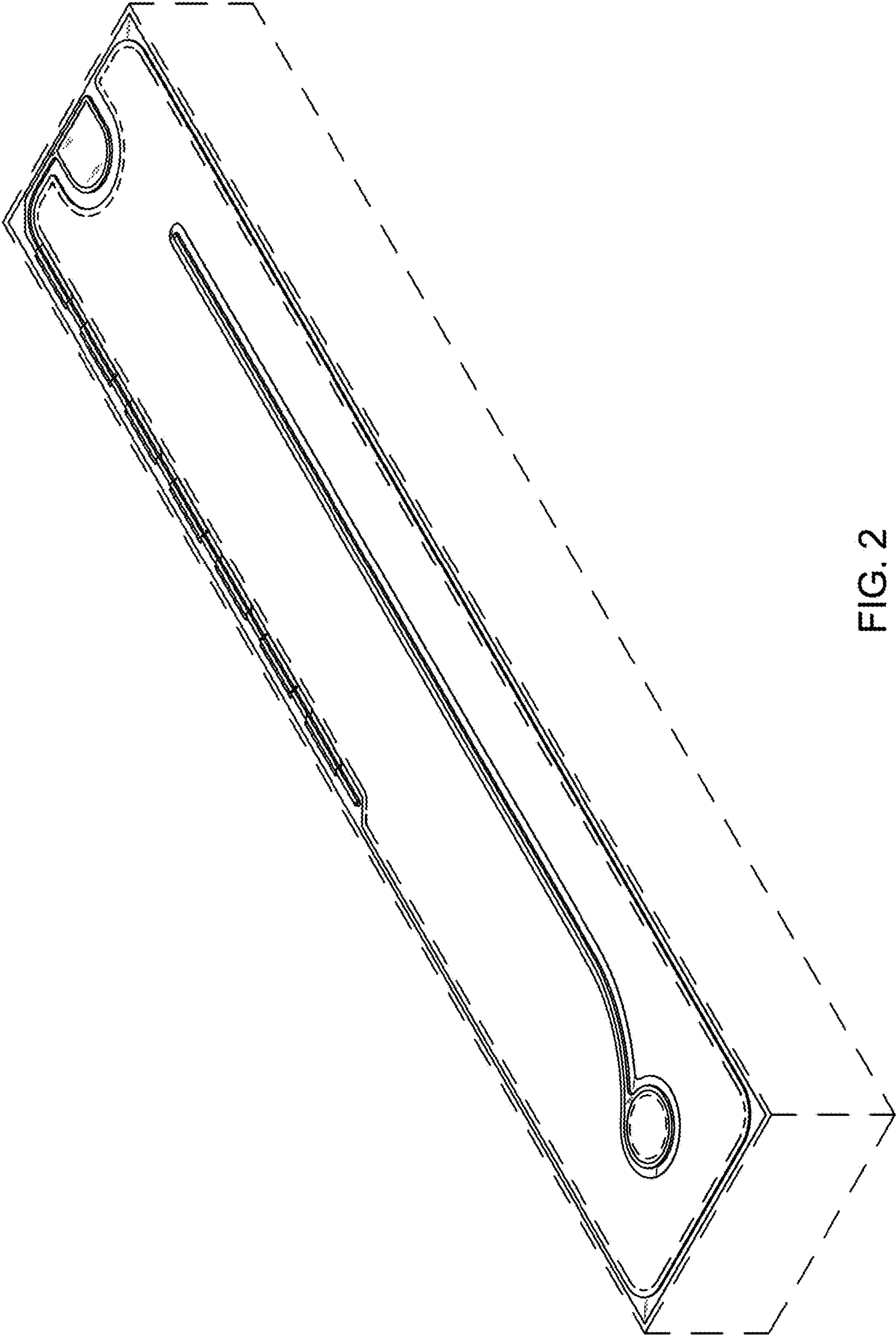


FIG. 2

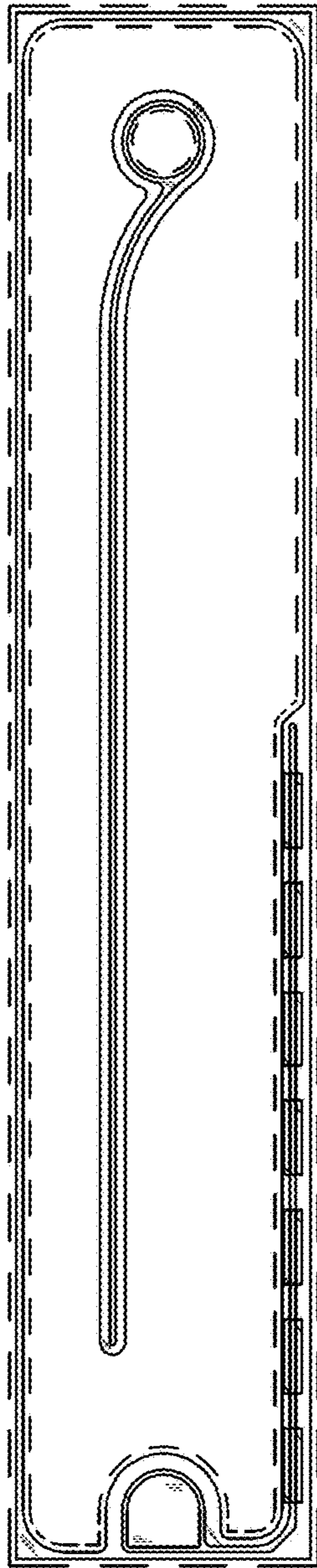


FIG. 3



FIG. 4

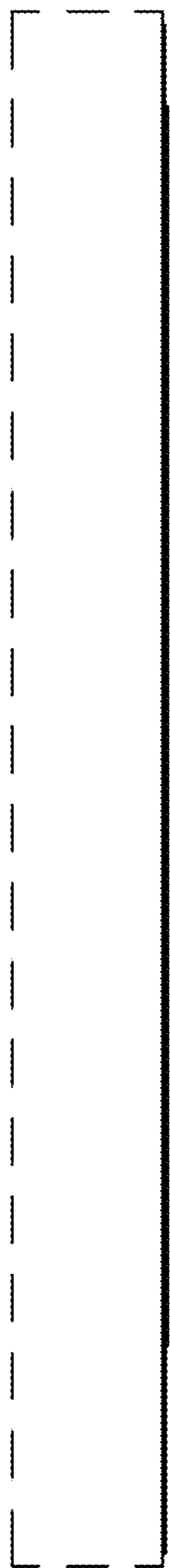


FIG. 5

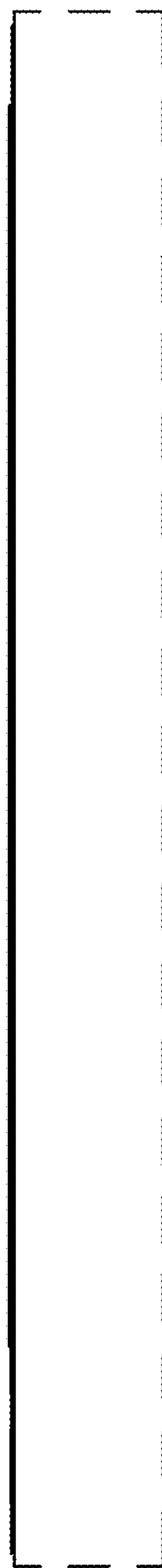


FIG. 6



FIG. 7



FIG. 8