



US00D782425S

(12) **United States Design Patent**
Ko et al.

(10) **Patent No.:** **US D782,425 S**

(45) **Date of Patent:** **** Mar. 28, 2017**

(54) **LEAD FRAME FOR LIGHT-EMITTING DIODE**

(71) Applicant: **LEXTAR ELECTRONICS CORPORATION**, Hsinchu (TW)

(72) Inventors: **Bo-Yu Ko**, New Taipei (TW); **Kuo-Wei Huang**, Tainan (TW); **Chun-Wei Wang**, New Taipei (TW)

(73) Assignee: **Lextar Electronics Corporation**, Hsinchu (TW)

(**) Term: **14 Years**

(21) Appl. No.: **29/497,491**

(22) Filed: **Jul. 24, 2014**

(30) **Foreign Application Priority Data**

Jun. 27, 2014 (TW) 103303798

(51) **LOC (10) Cl.** **13-03**

(52) **U.S. Cl.**
USPC **D13/180**

(58) **Field of Classification Search**
USPC D13/180; D26/1
CPC ... H01L 25/167; H01L 25/0753; H01L 27/15;
H01L 27/156; H01L 31/02; H01L 33/00;
H01L 33/04; H01L 33/08; H01L 33/10;
H01L 33/20; H01L 33/38; H01L 33/42;
H01L 33/48; H01L 33/62; H01L 33/483;
H01L 33/486; F21K 9/00; F21K 9/30;
F21K 9/54

See application file for complete search history.

(56) **References Cited**

U.S. PATENT DOCUMENTS

6,586,721 B2 * 7/2003 Estevez-Garcia G01V 8/12
250/221
D495,304 S * 8/2004 Kim D13/180

D597,969 S * 8/2009 Kobayakawa D13/180
D611,012 S * 3/2010 Hsieh D13/180
D693,780 S * 11/2013 Chen D13/180
D695,239 S * 12/2013 Ko D13/180
D698,742 S * 2/2014 Niikura D13/180
D709,040 S * 7/2014 Chen D13/180
D709,042 S * 7/2014 Cai D13/180
D712,851 S * 9/2014 Cai D13/180
9,035,333 B2 * 5/2015 Toyama H01L 33/486
257/88
2013/0037842 A1 * 2/2013 Yamada H01L 33/60
257/98
2013/0062644 A1 * 3/2013 Ushiyama H01L 33/60
257/98
2013/0062648 A1 * 3/2013 Nishimura H01L 33/504
257/98
2013/0200420 A1 * 8/2013 Hussell H01L 33/486
257/98
2015/0325760 A1 * 11/2015 Suenaga H01L 33/486
257/99
2015/0349224 A1 * 12/2015 Ichihara H01L 33/62
257/89

(Continued)

Primary Examiner — Selina Sikder

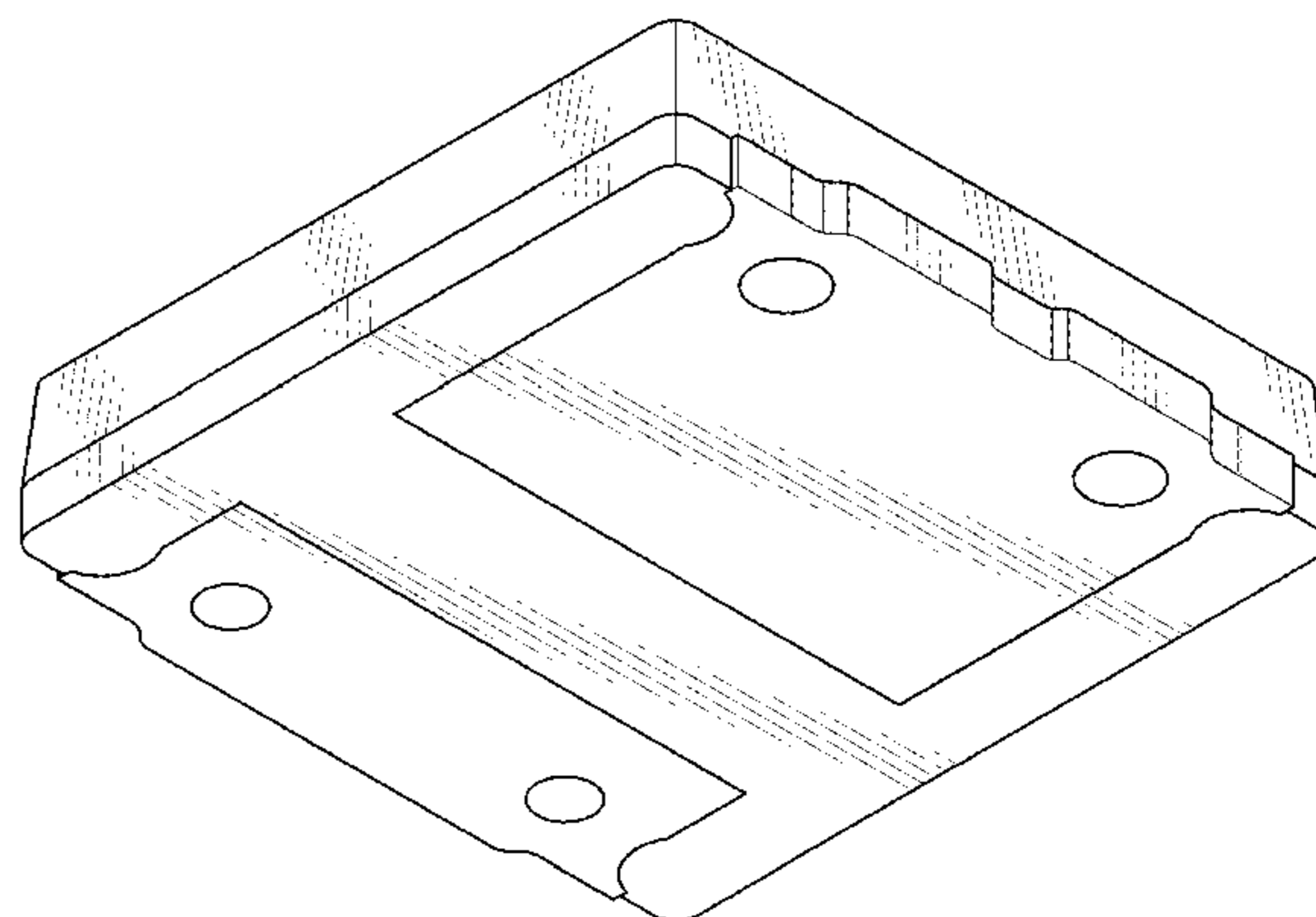
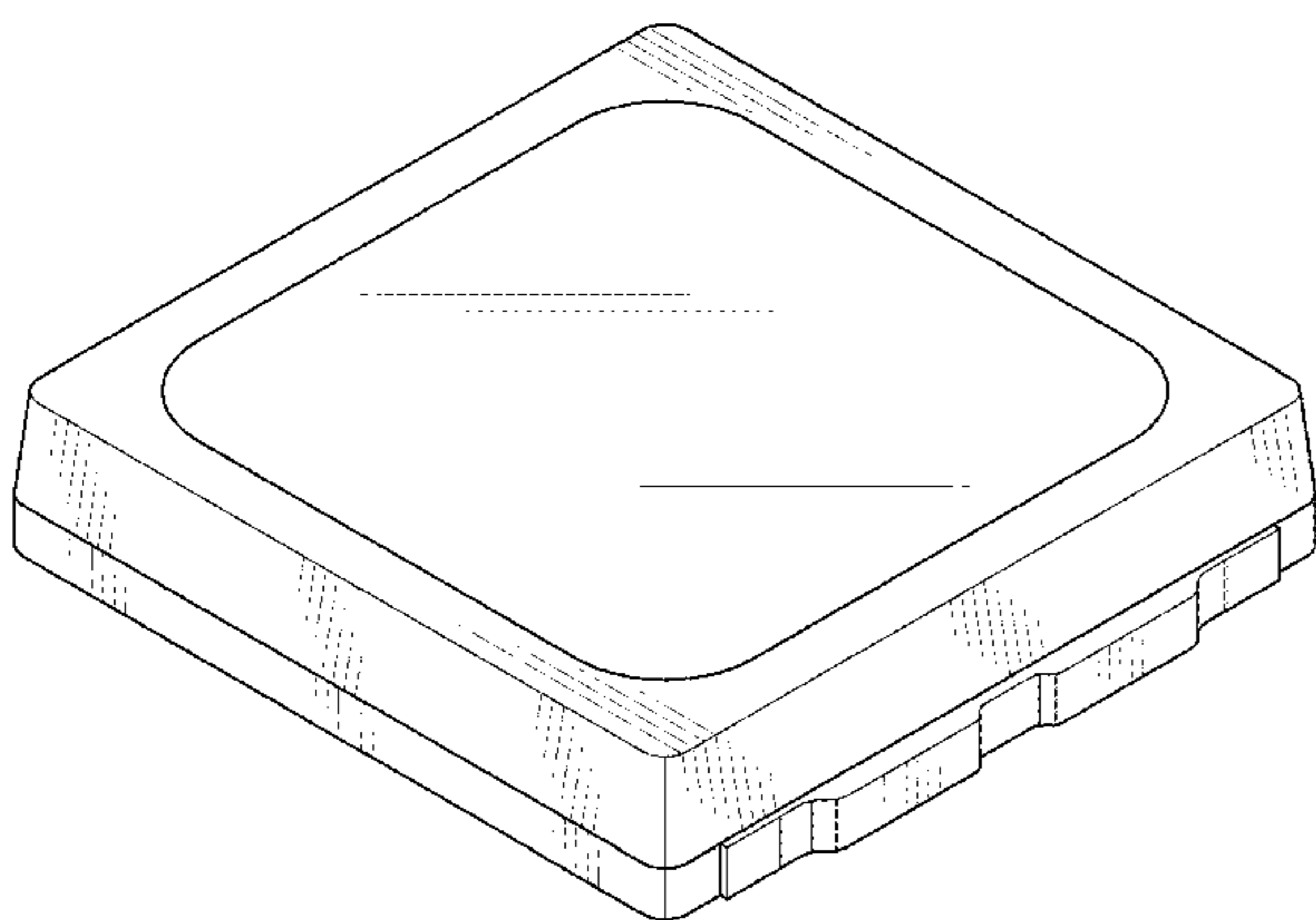
(57) **CLAIM**

The ornamental design for lead frame for light-emitting diode, as shown and described.

DESCRIPTION

FIG. 1 is a perspective view thereof;
FIG. 2 is another perspective view thereof;
FIG. 3 is a front side view thereof;
FIG. 4 is a rear side view thereof;
FIG. 5 is a left side view thereof;
FIG. 6 is a right side view thereof;
FIG. 7 is a top plane view thereof; and,
FIG. 8 is a bottom plane view thereof.

1 Claim, 8 Drawing Sheets



(56)

References Cited

U.S. PATENT DOCUMENTS

2016/0020373 A1* 1/2016 Shi H01L 33/62
257/88
2016/0072028 A1* 3/2016 Naka H01L 33/62
257/99
2016/0111617 A1* 4/2016 Kim H01L 33/647
257/99
2016/0118563 A1* 4/2016 Jung H01L 25/0753
257/98

* cited by examiner

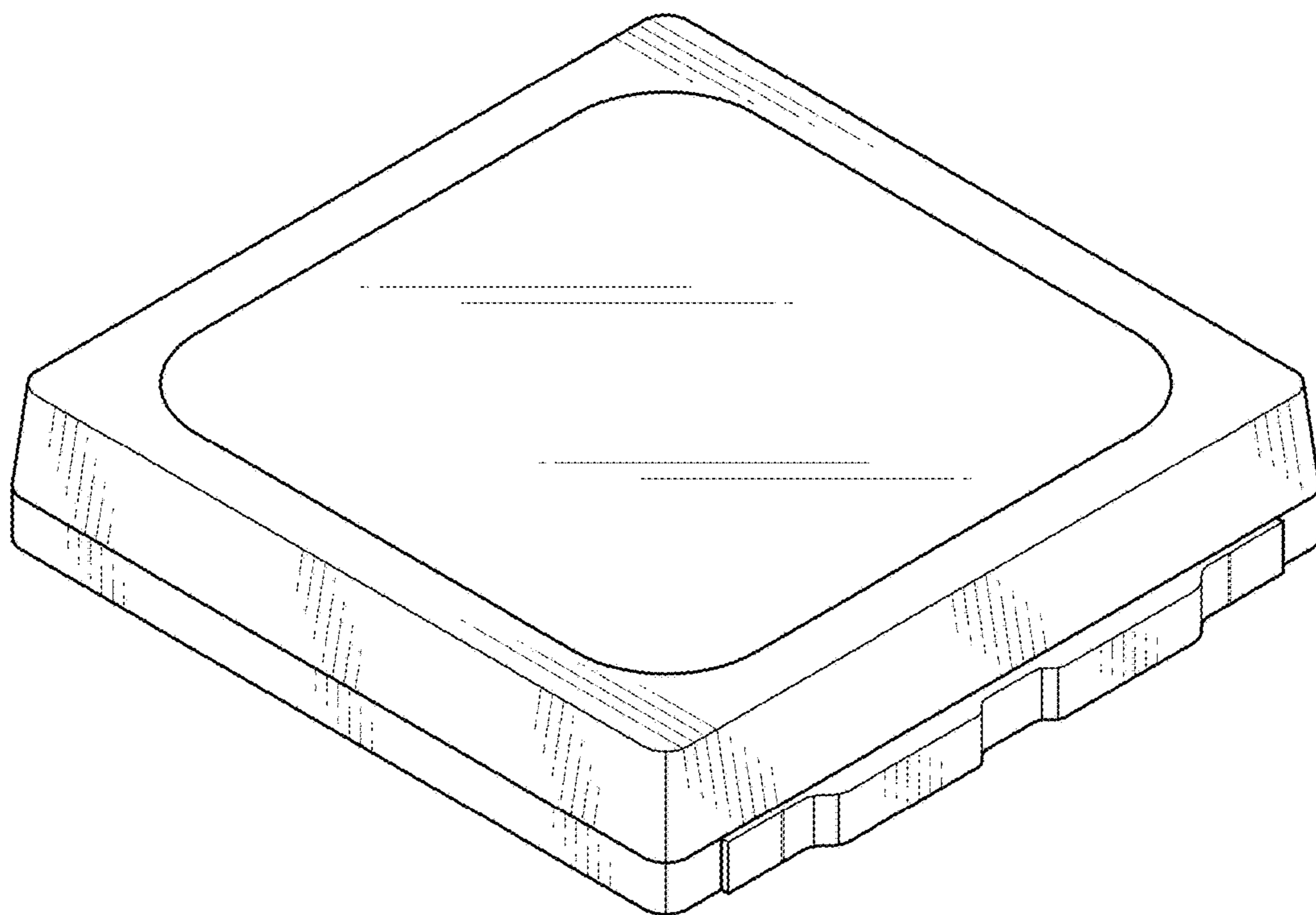


FIG. 1

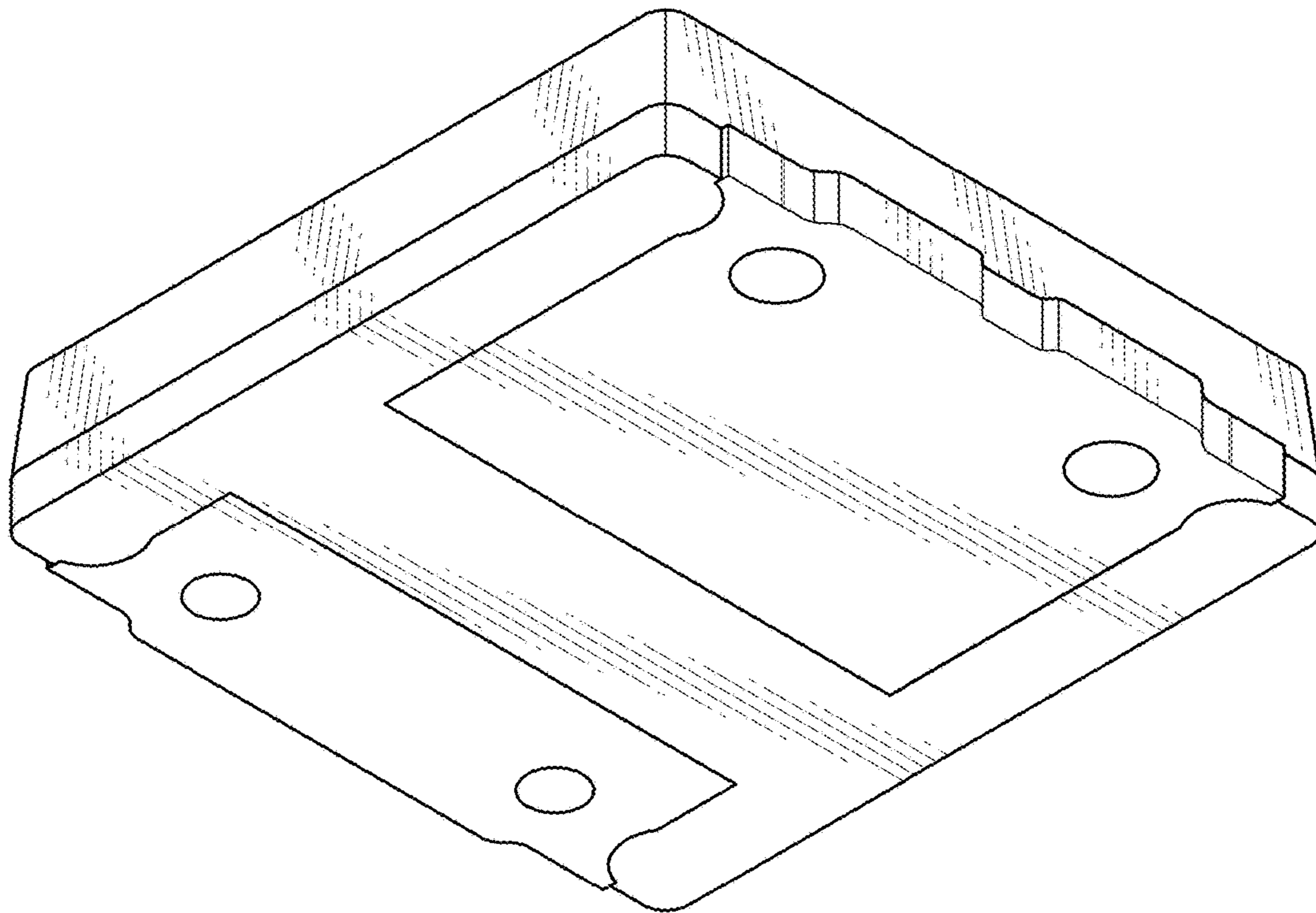


FIG. 2

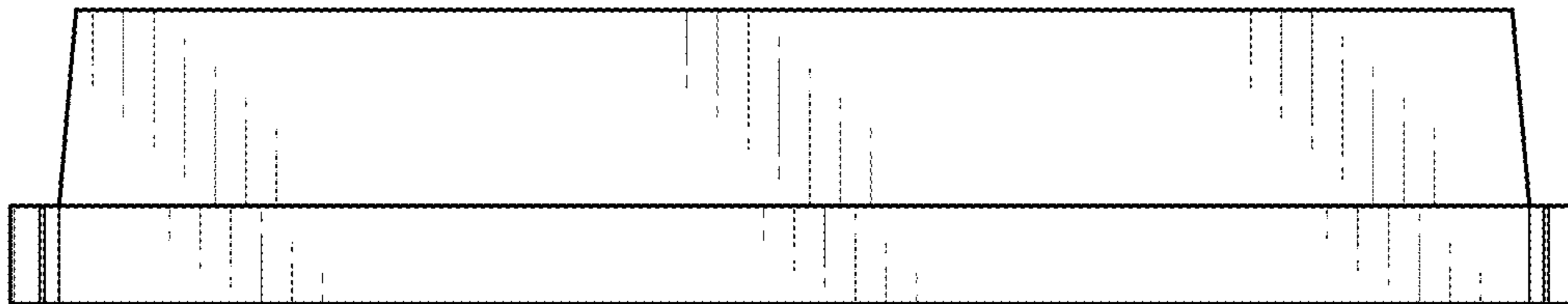


FIG. 3

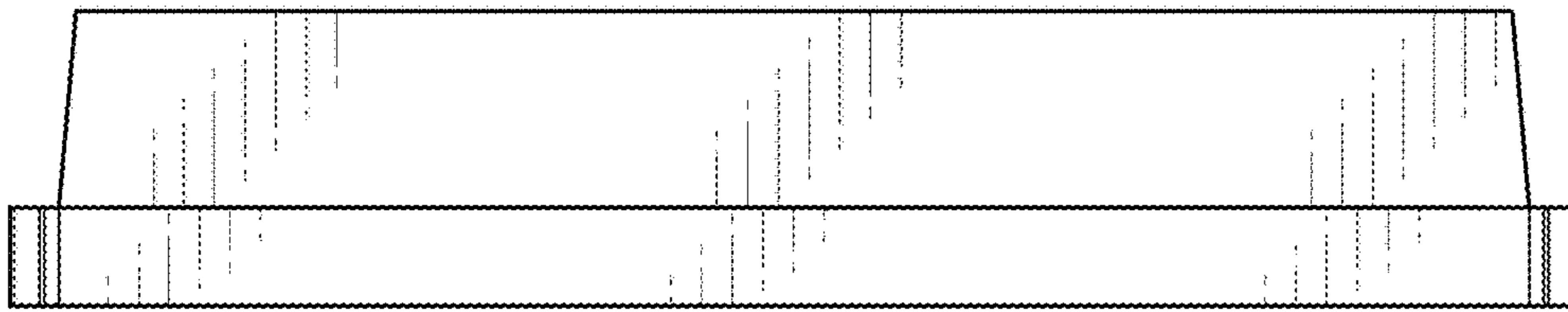


FIG. 4

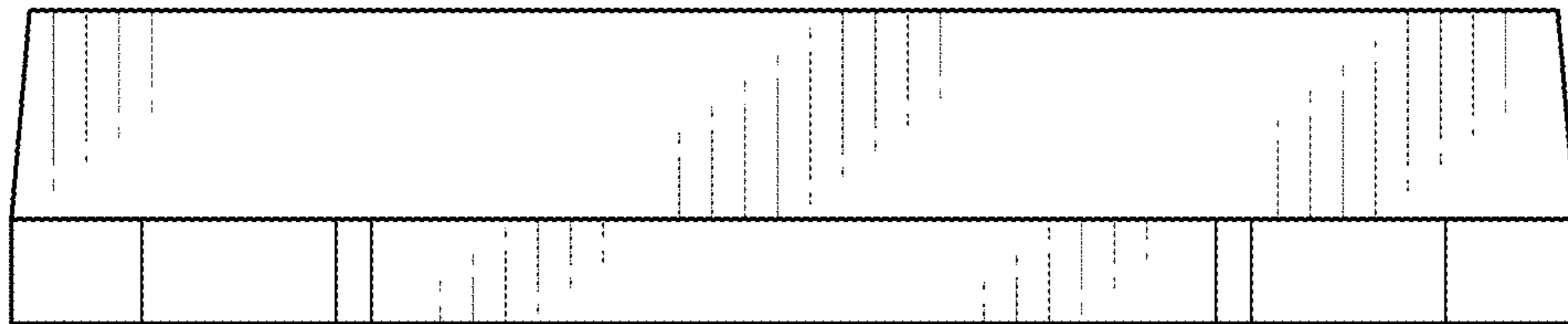


FIG. 5

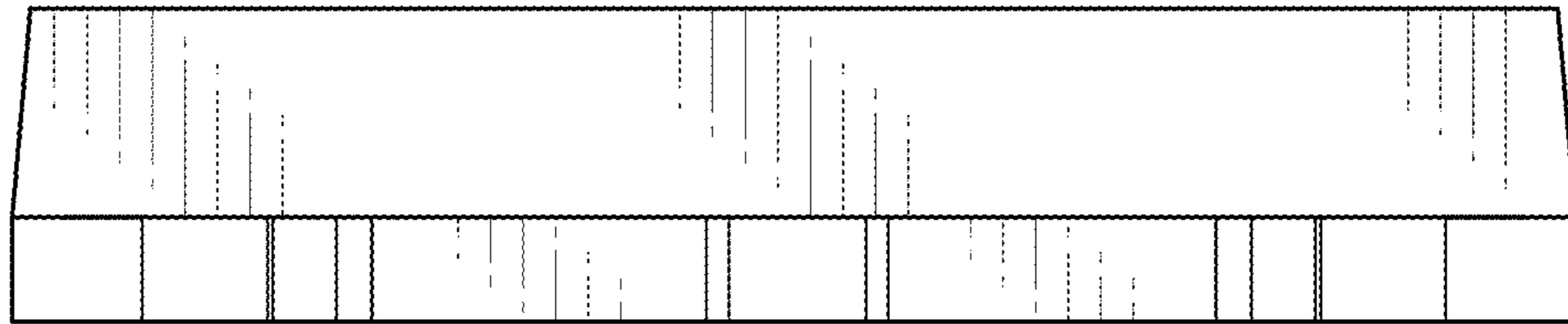


FIG. 6

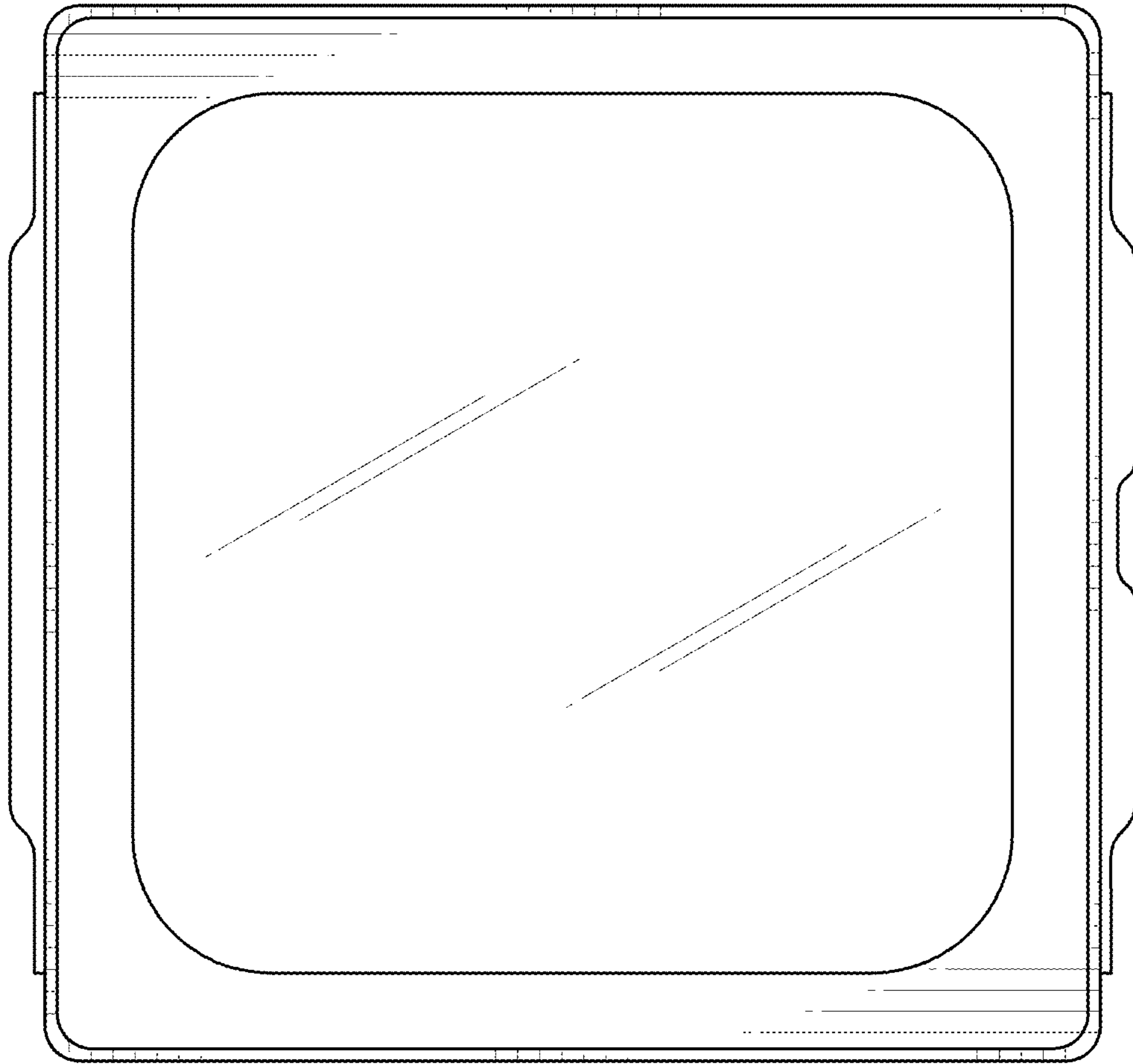


FIG. 7

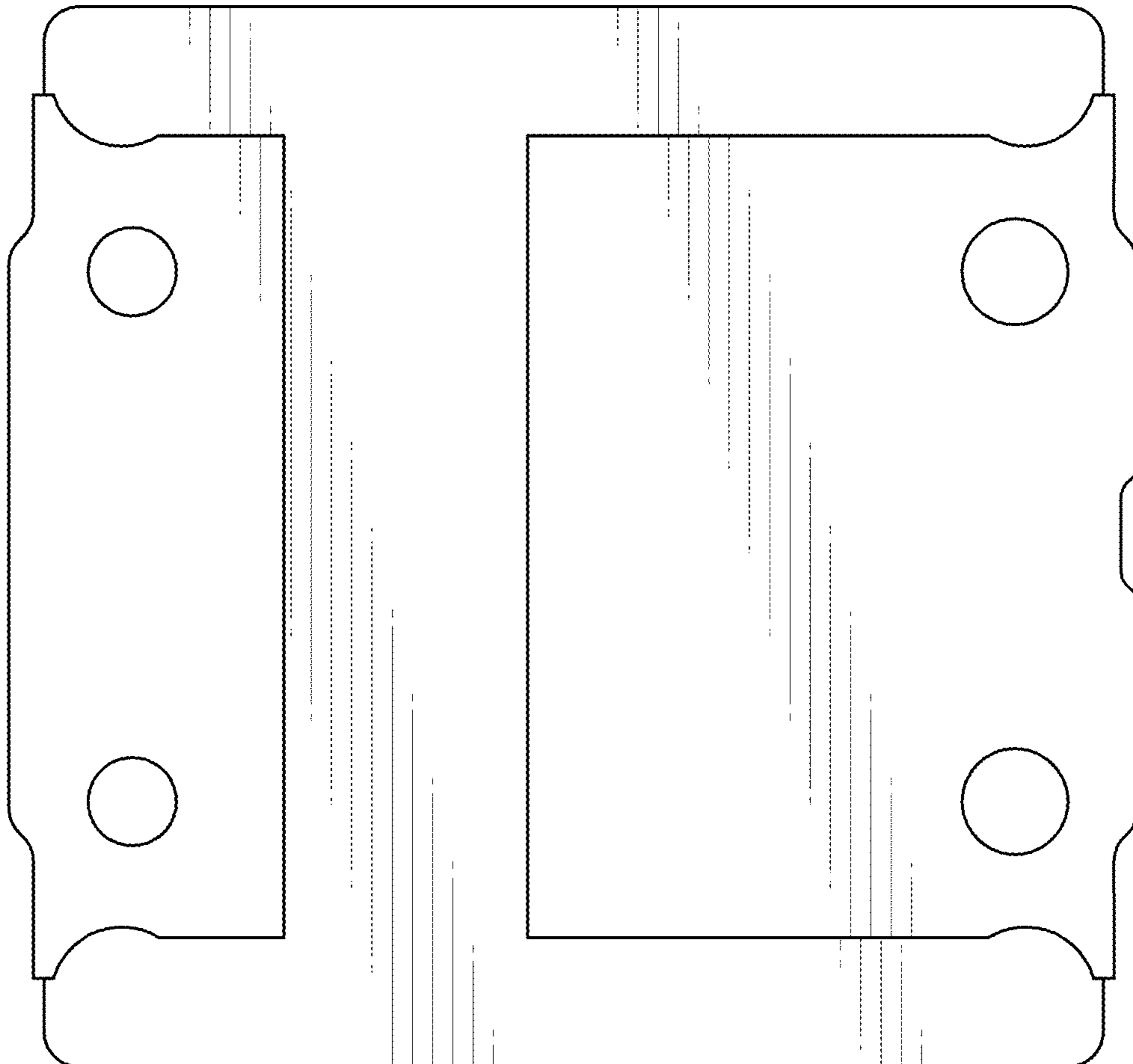


FIG. 8