



US00D782424S

(12) **United States Design Patent**  
**Lin**

(10) **Patent No.:** **US D782,424 S**  
(45) **Date of Patent:** **\*\* Mar. 28, 2017**

- (54) **PANEL**
- (71) Applicant: **CHYNG HONG ELECTRONIC CO., LTD.**, Taichung (TW)
- (72) Inventor: **Mu-Chun Lin**, Taichung (TW)
- (73) Assignee: **CHYNG HONG ELECTRONICS CO., LTD.**, Taichung (TW)
- (\*\*) Term: **15 Years**
- (21) Appl. No.: **29/544,440**
- (22) Filed: **Nov. 3, 2015**
- (51) **LOC (10) Cl.** ..... **13-03**
- (52) **U.S. Cl.**  
USPC ..... **D13/177**
- (58) **Field of Classification Search**  
USPC ..... D13/162, 177, 184; D14/188, 240, 257,  
D14/313, 441, 445; 174/66; 361/695  
CPC ..... H01H 13/83; H02G 3/14; H05K 7/1432  
See application file for complete search history.

- D659,108 S \* 5/2012 Lin ..... D13/177
- D659,653 S \* 5/2012 Lin ..... D13/177
- 8,410,362 B1 \* 4/2013 Lin ..... H02G 3/14  
174/66
- D722,060 S \* 2/2015 Kwon ..... D14/445
- D770,396 S \* 11/2016 Lin ..... D13/177
- D771,577 S \* 11/2016 Lin ..... D13/177
- 2004/0228090 A1 \* 11/2004 Blackwell ..... H05K 7/1457  
361/695
- 2004/0240177 A1 \* 12/2004 Suzuki ..... H05K 7/20581  
361/695
- 2009/0021910 A1 \* 1/2009 Lai ..... H05K 7/20181  
361/695
- 2013/0148297 A1 \* 6/2013 Wei ..... H05K 7/20727  
361/695
- 2016/0285295 A1 \* 9/2016 Marinov ..... H05K 7/20909

\* cited by examiner

*Primary Examiner* — Selina Sikder  
(74) *Attorney, Agent, or Firm* — Ming Chow; Sinorica, LLC

(57) **CLAIM**

I claim the ornamental design for a panel, as shown and described.

(56) **References Cited**

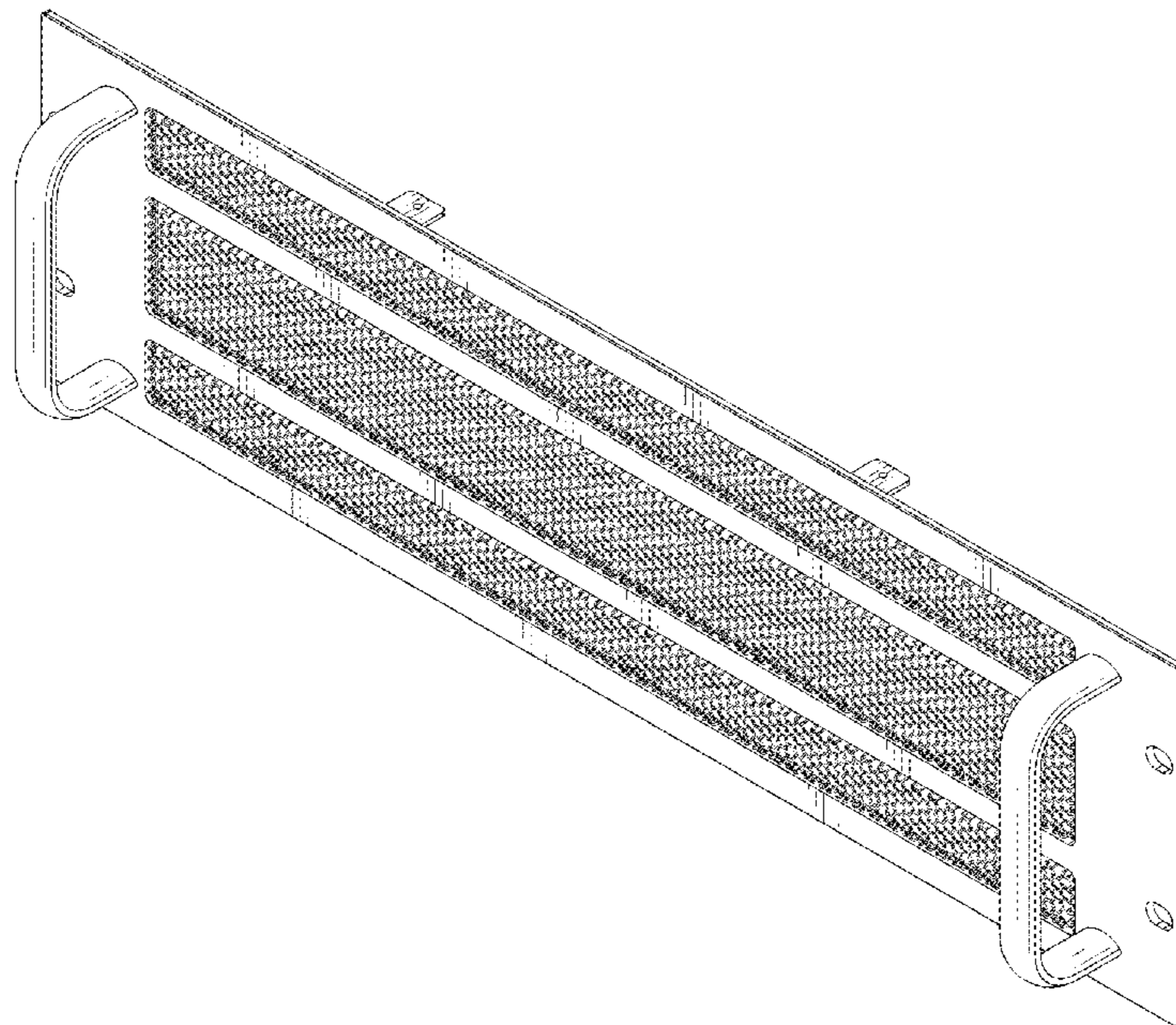
**U.S. PATENT DOCUMENTS**

- D359,496 S \* 6/1995 Hirsbrunner ..... D13/177
- D382,880 S \* 8/1997 Cienkus ..... D13/177
- D394,845 S \* 6/1998 Hirsbrunner ..... D13/184
- D395,654 S \* 6/1998 Mackie ..... D13/110
- D424,526 S \* 5/2000 Yang ..... D13/177
- 6,075,698 A \* 6/2000 Hogan ..... H05K 7/20581  
165/104.34
- 6,714,411 B2 \* 3/2004 Thompson ..... H05K 7/20581  
165/104.33
- D619,108 S \* 7/2010 Lin ..... D13/177

**DESCRIPTION**

FIG. 1 is a front perspective view of a panel showing my new design;  
FIG. 2 is a front elevational view thereof;  
FIG. 3 is a rear elevational view thereof;  
FIG. 4 is a left side elevational view thereof;  
FIG. 5 is a right side elevational view thereof;  
FIG. 6 is a top plan view thereof; and,  
FIG. 7 is a bottom plan view thereof.

**1 Claim, 5 Drawing Sheets**



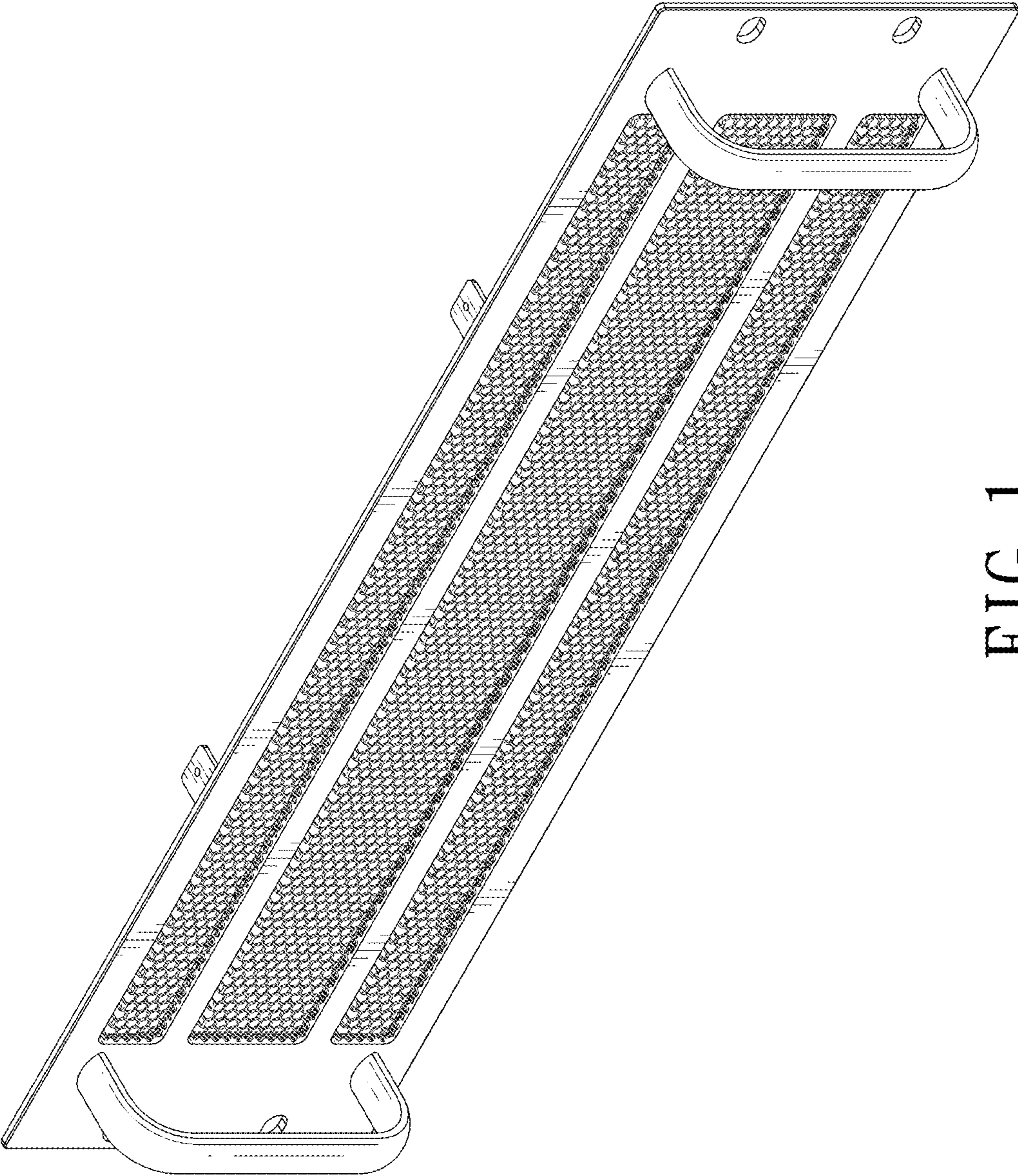


FIG. 1

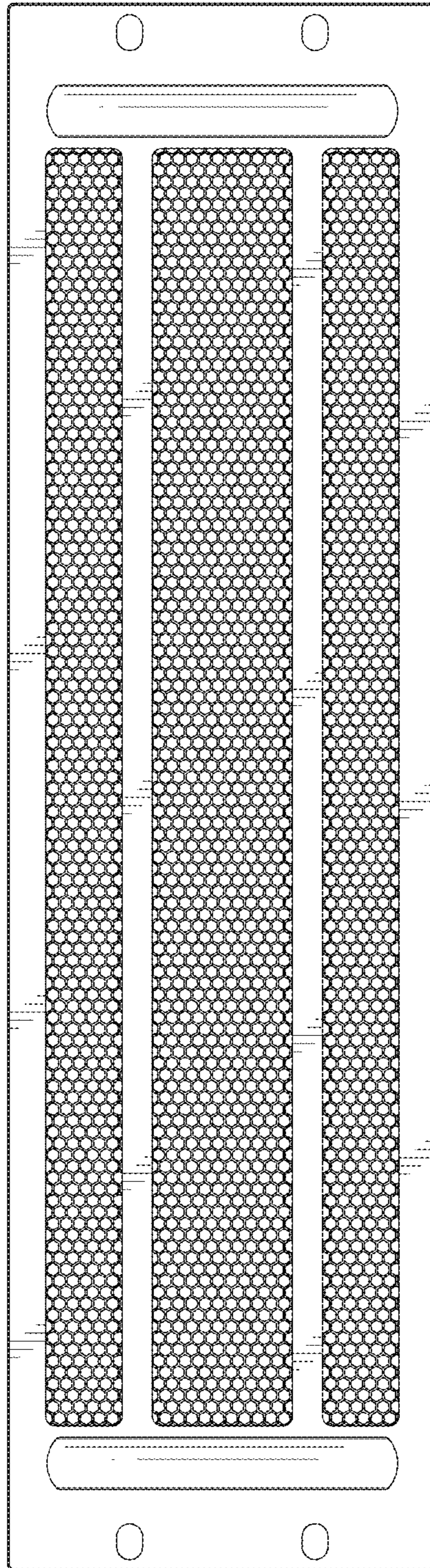


FIG. 2

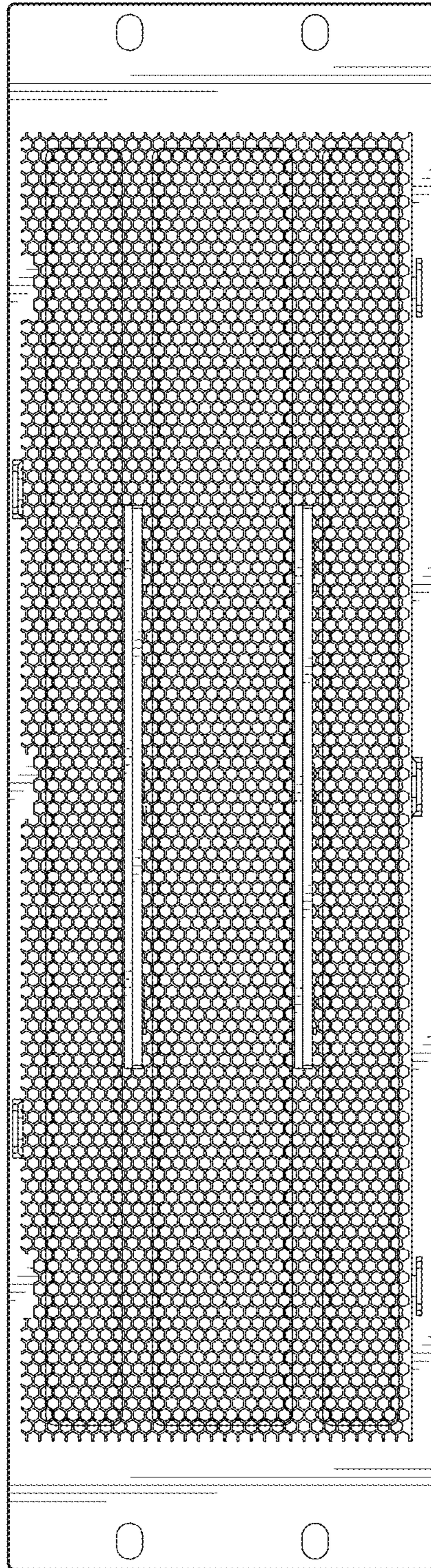


FIG. 3

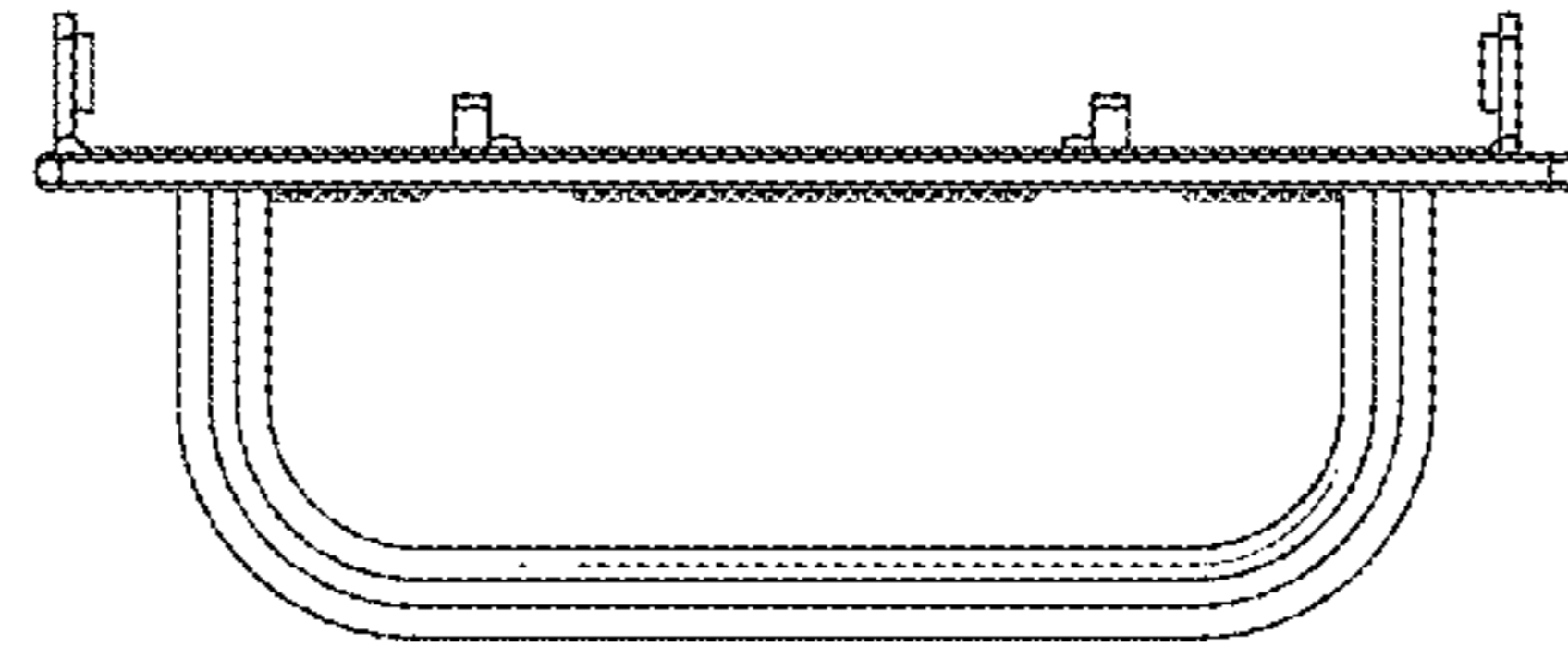


FIG. 5

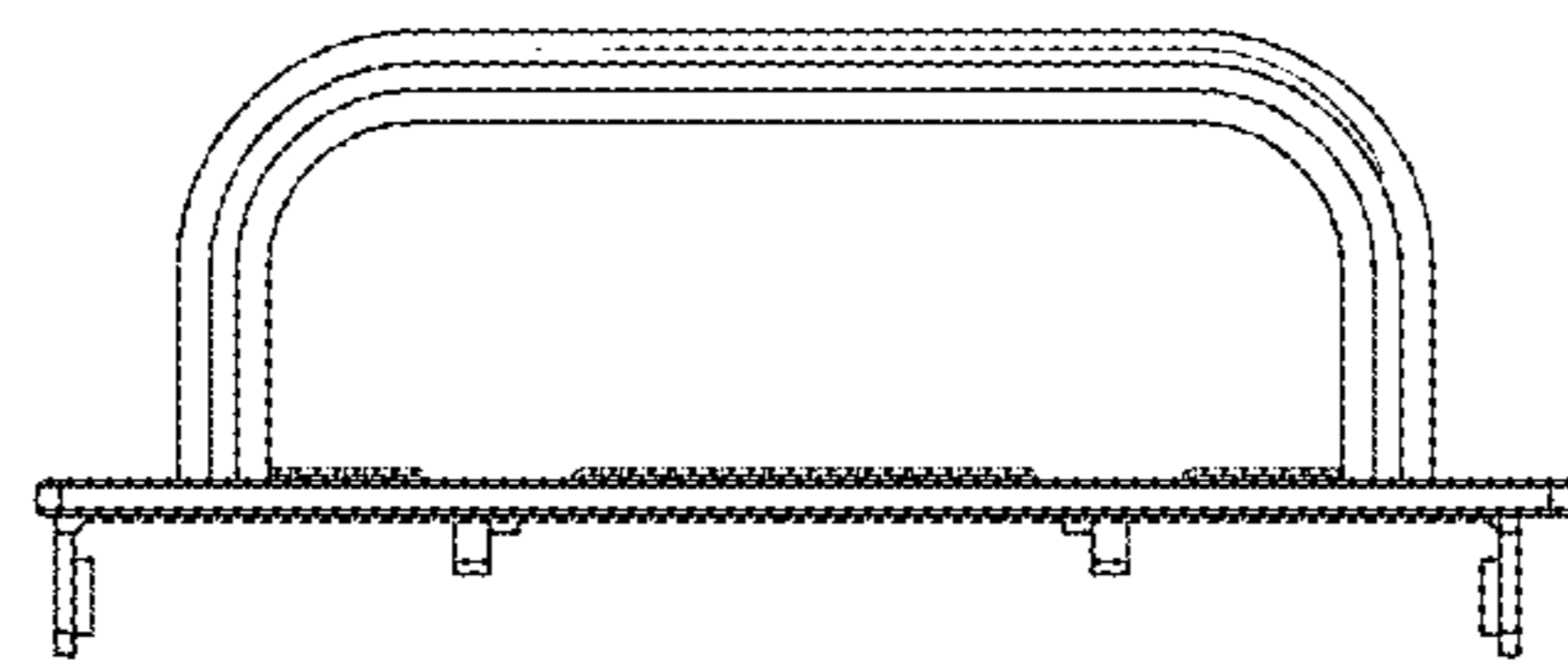


FIG. 4

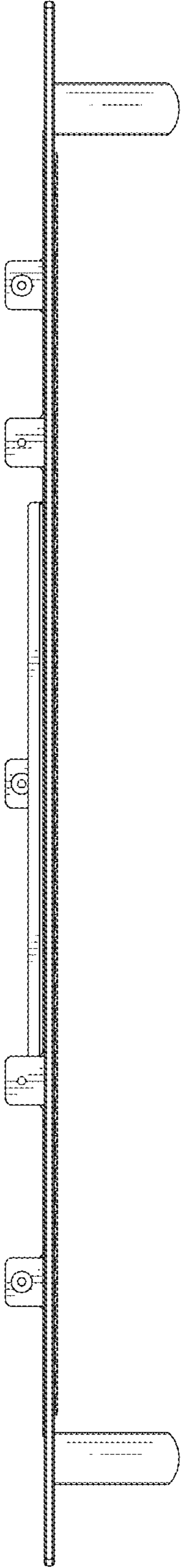


FIG. 6

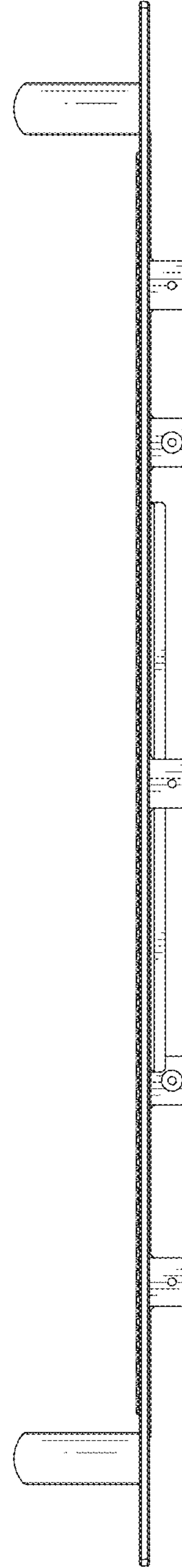


FIG. 7