



US00D782423S

(12) **United States Design Patent**
Lee et al.

(10) **Patent No.:** **US D782,423 S**
(45) **Date of Patent:** **** Mar. 28, 2017**

(54) **RETROFITTABLE SWITCH GUARD**

(71) Applicant: **Eaton Corporation**, Cleveland, OH (US)

(72) Inventors: **Davin Robert Lee**, Watertown, WI (US); **Richard William Fitzgerald**, Franklin, WI (US); **Robert W. Nickerson**, Germantown, WI (US); **Dana Kathryn Leland**, Milwaukee, WI (US)

(73) Assignee: **Eaton Corporation**, Cleveland, OH (US)

(**) Term: **15 Years**

(21) Appl. No.: **29/528,509**

(22) Filed: **May 29, 2015**

Related U.S. Application Data

(63) Continuation of application No. 14/264,208, filed on Apr. 29, 2014.

(51) **LOC (10) Cl.** **13-03**

(52) **U.S. Cl.**
USPC **D13/173**

(58) **Field of Classification Search**
USPC D13/173, 177
CPC H01H 9/287; H01H 27/002; H01H 23/04; H01H 2300/024
See application file for complete search history.

(56) **References Cited**

U.S. PATENT DOCUMENTS

2,141,936 A * 12/1938 Schmitt H01H 23/14
174/66
3,732,388 A * 5/1973 Taylor H01H 23/025
200/303

4,102,471 A * 7/1978 Lore H02B 1/06
174/67
4,904,833 A * 2/1990 Sato H01H 3/503
200/1 V
D314,556 S * 2/1991 Aggson D13/160
5,486,660 A 1/1996 Fasano
5,521,344 A * 5/1996 De Leo H01H 9/283
200/43.14
D372,224 S * 7/1996 Larned 200/43.19
5,999,072 A 12/1999 Slavik
(Continued)

FOREIGN PATENT DOCUMENTS

EP 0694947 A1 1/1996

Primary Examiner — Selina Sikder

(74) *Attorney, Agent, or Firm* — Ziolkowski Patent Solutions Group, SC

(57) **CLAIM**

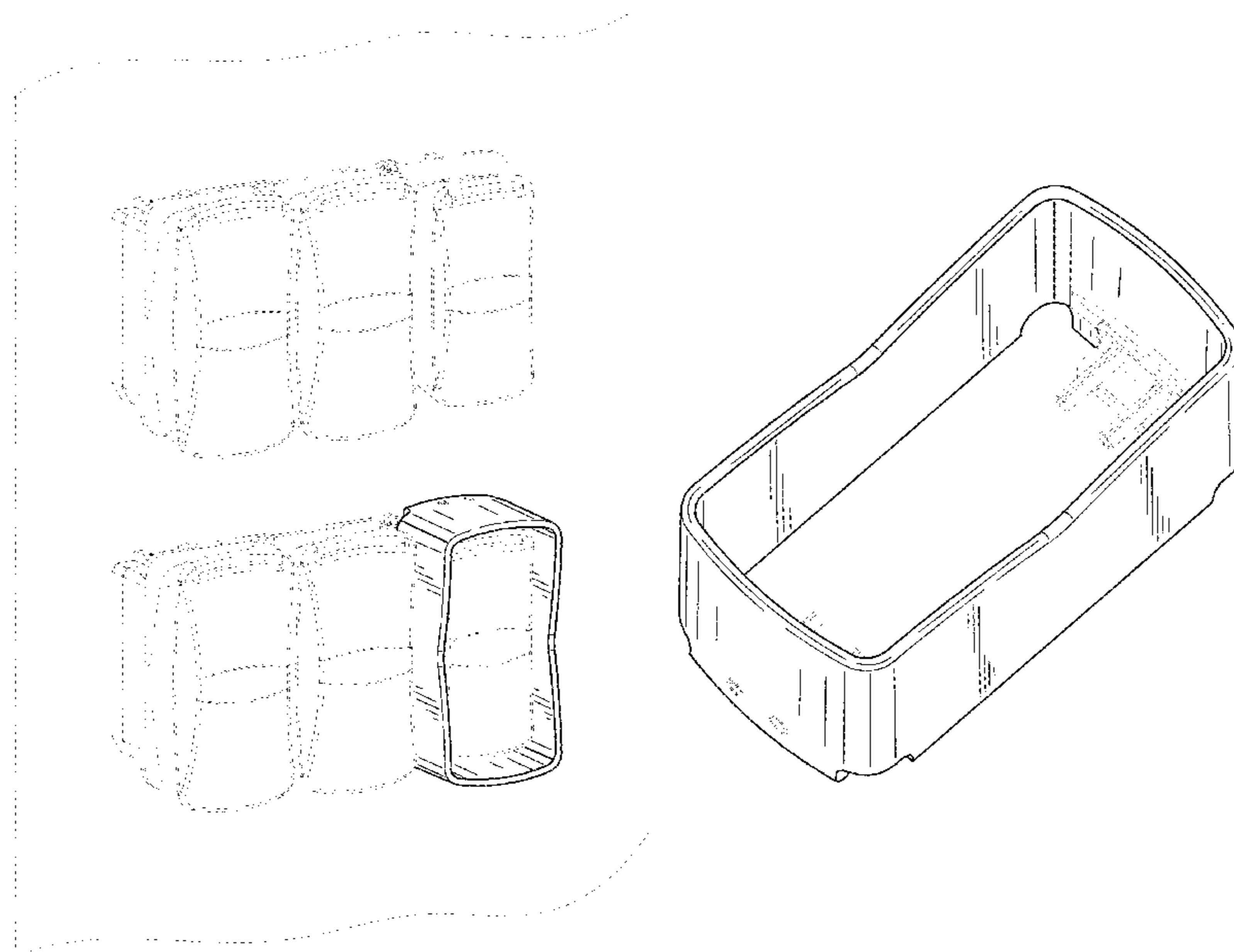
The ornamental design for a retrofittable switch guard, as shown and described herein.

DESCRIPTION

FIG. 1 is a perspective view of a retrofittable switch guard in accordance with the present invention, with the retrofittable switch guard shown positioned about a rocker switch; FIG. 2 is a perspective view thereof; FIG. 3 is a left side elevational view thereof; FIG. 4 is a right side elevational view thereof; FIG. 5 is a front elevational view thereof; FIG. 6 is a back elevational view thereof; FIG. 7 is a top view thereof; and, FIG. 8 is a bottom view thereof.

The broken lines in the drawing views are included for the purpose of illustrating portions of the retrofittable switch guard that form no part of the claimed design.

1 Claim, 5 Drawing Sheets



(56)

References Cited

U.S. PATENT DOCUMENTS

D453,923 S * 2/2002 Olson D13/173
6,365,851 B1 * 4/2002 Gasper H01H 9/08
200/43.14
6,528,744 B2 * 3/2003 Bremner H01H 3/20
200/334
D707,639 S * 6/2014 Rego D13/173
9,177,734 B2 * 11/2015 Todd H01H 9/02
9,230,757 B2 * 1/2016 Rego H01H 23/04
2008/0190746 A1 * 8/2008 Gauzin H01H 3/20
200/43.16
2010/0126838 A1 * 5/2010 Lee H01H 23/168
200/339
2013/0161962 A1 6/2013 Fitzgerald et al.
2015/0255229 A1 * 9/2015 Sonobe H01H 9/0264
200/334
2015/0311010 A1 * 10/2015 Lee H01H 9/287
200/43.18

* cited by examiner

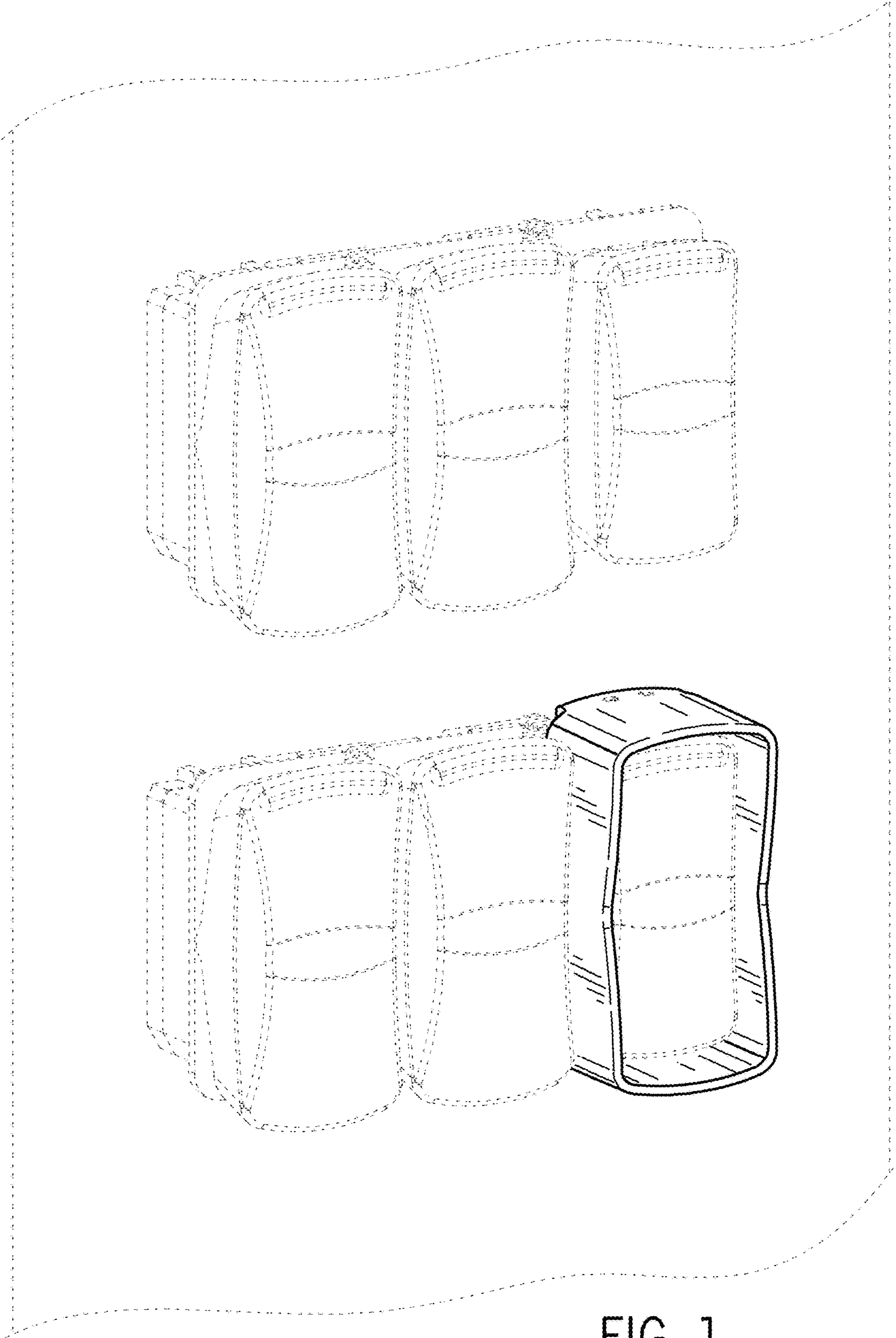


FIG. 1

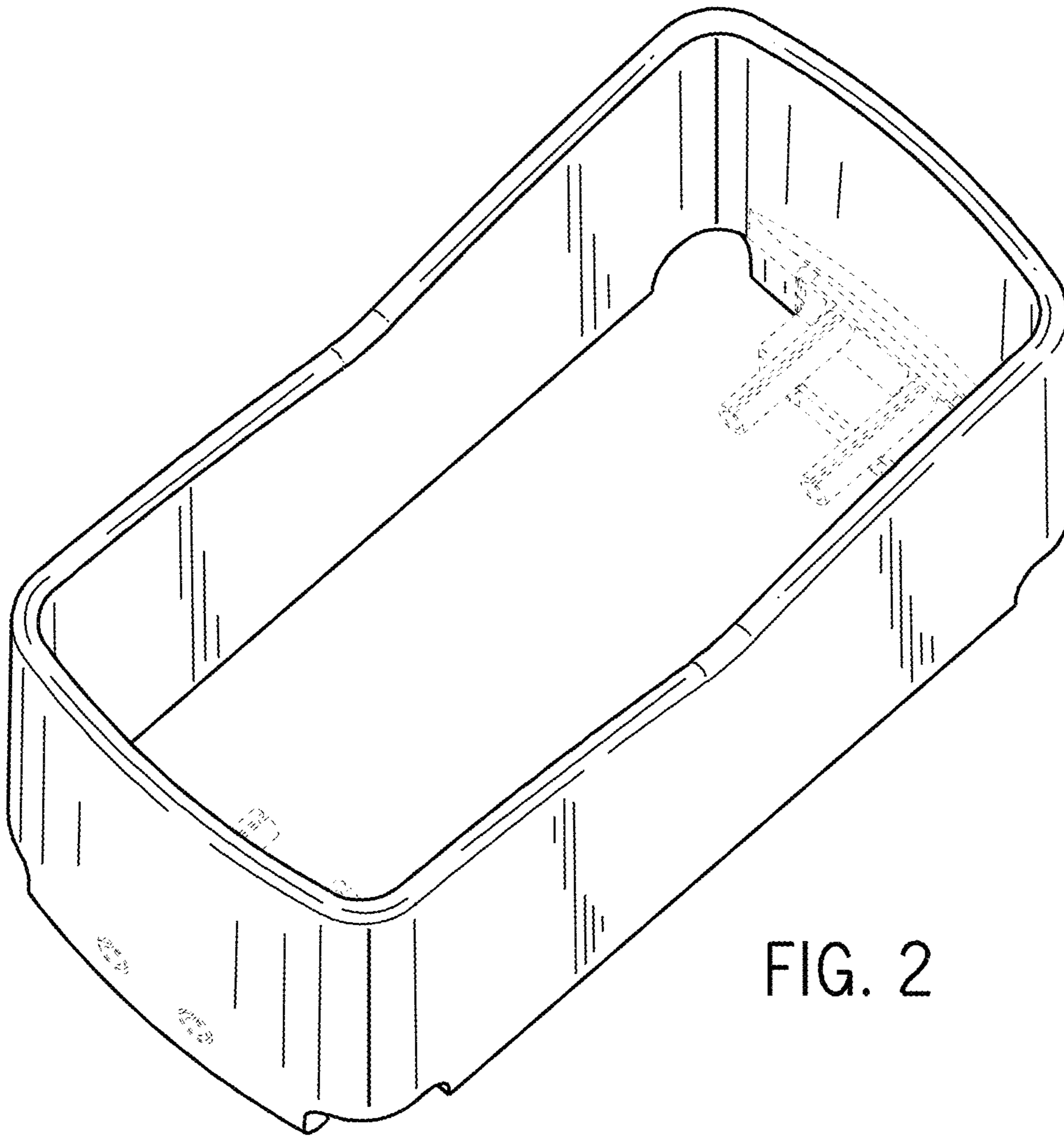


FIG. 2

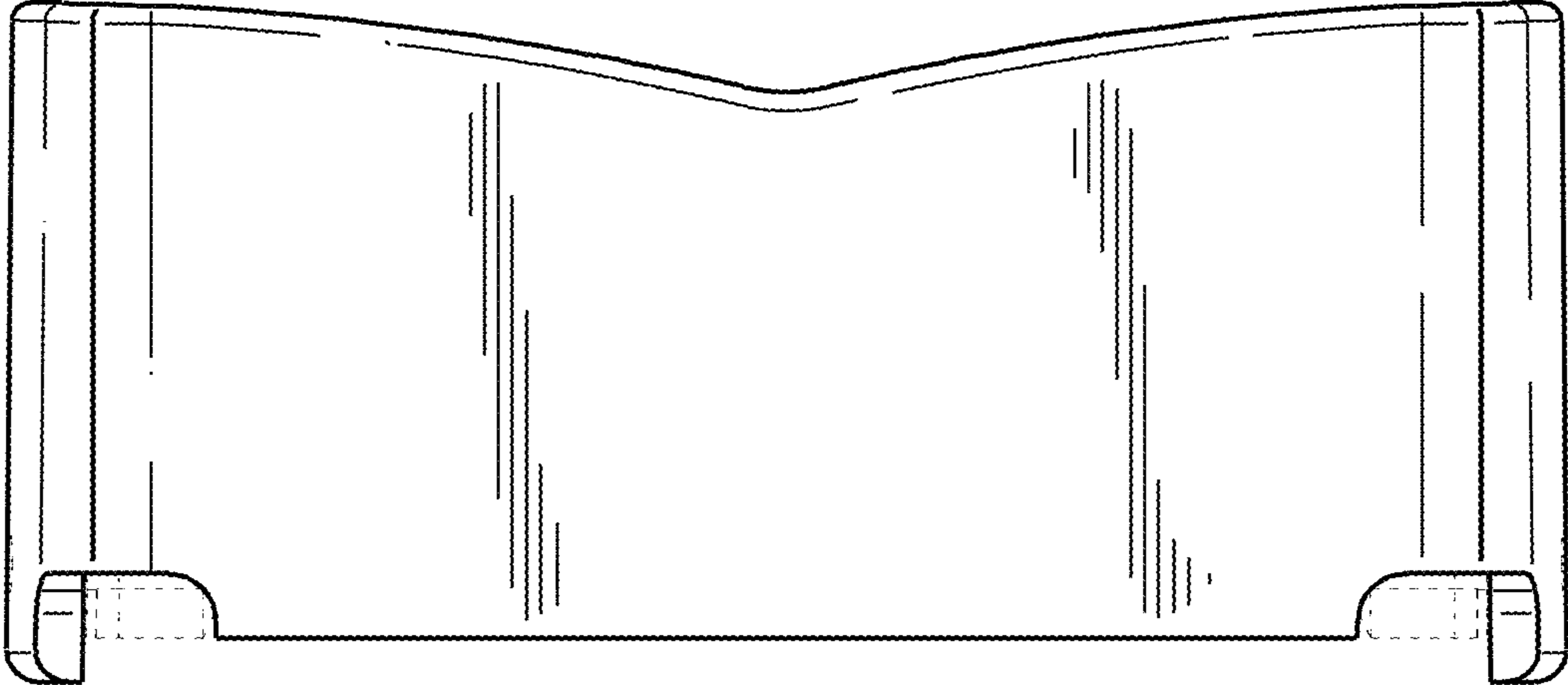


FIG. 3

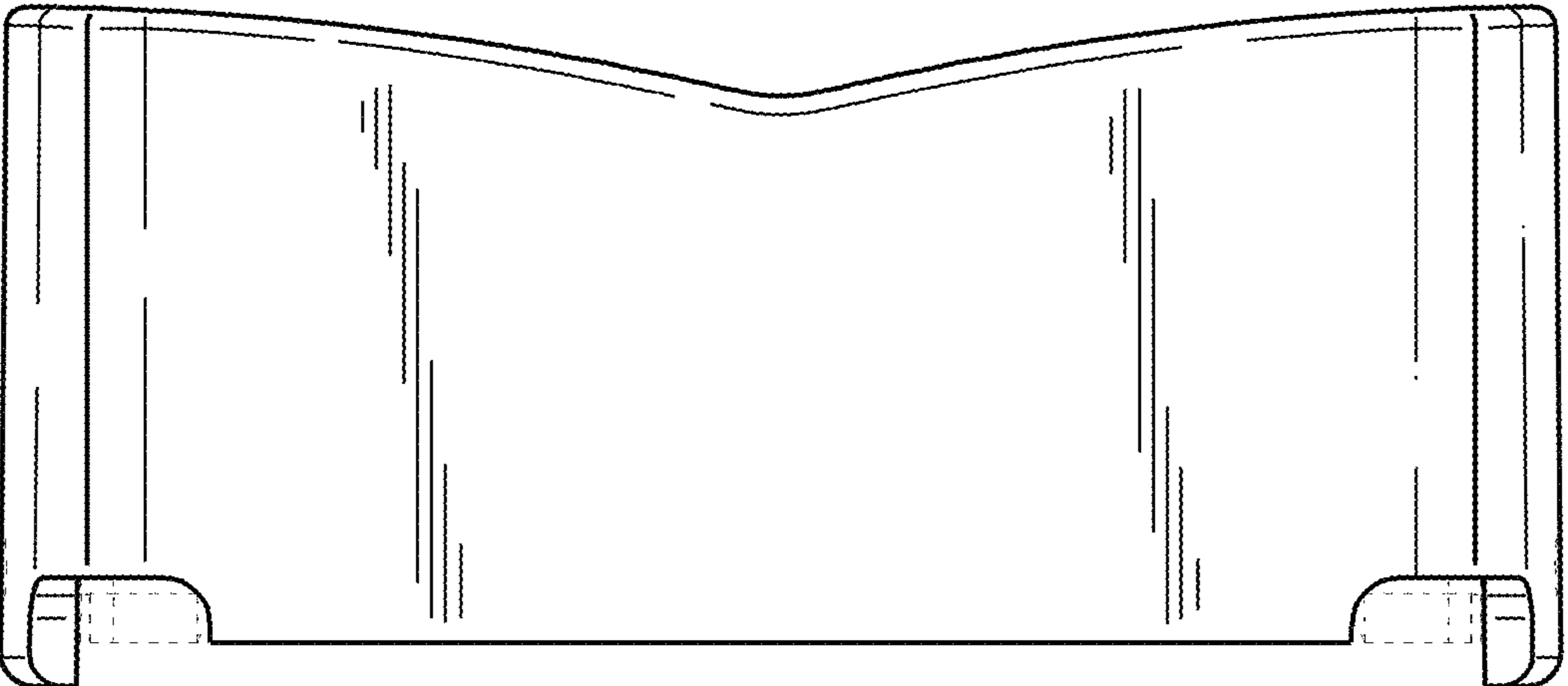


FIG. 4

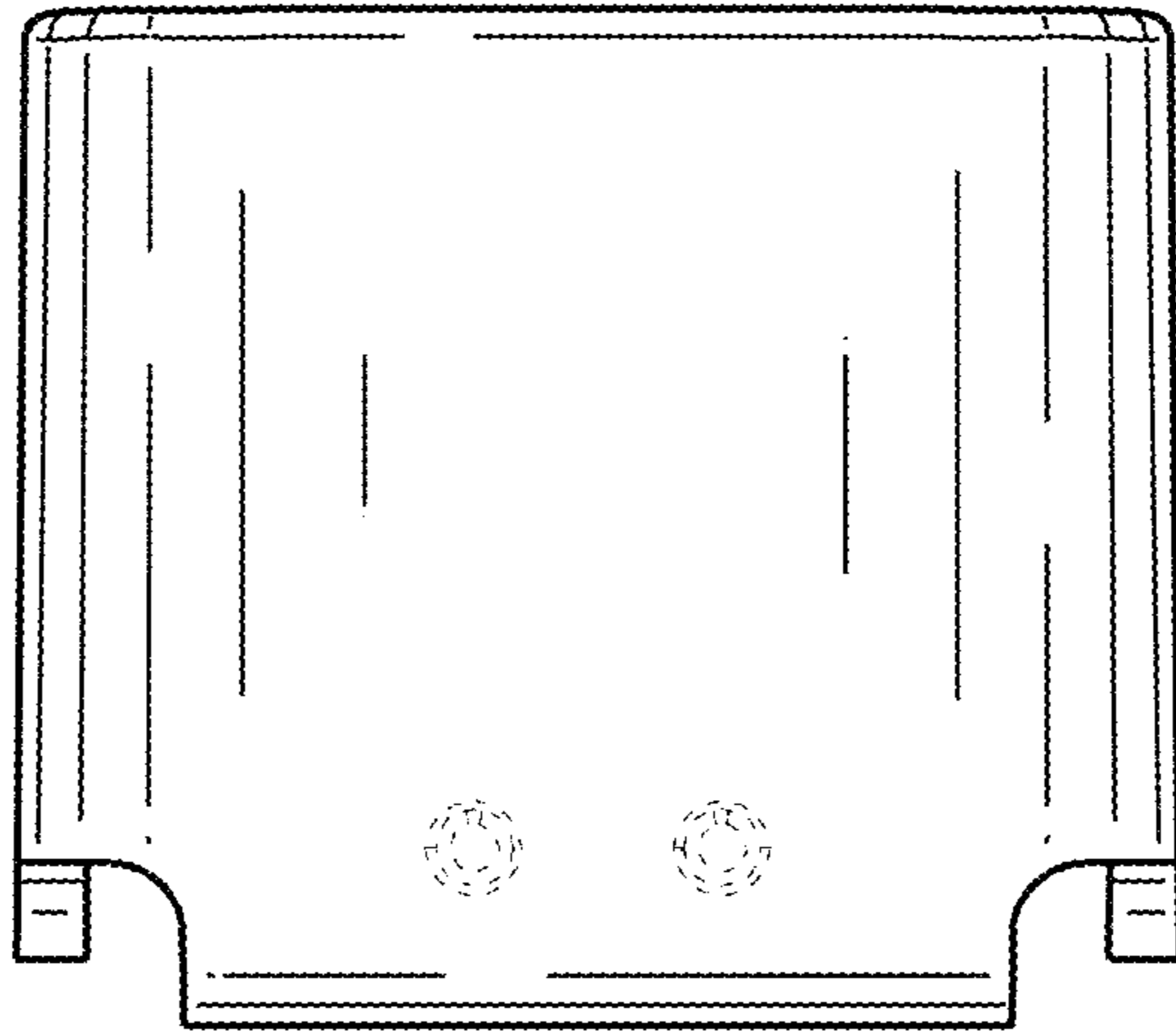


FIG. 5

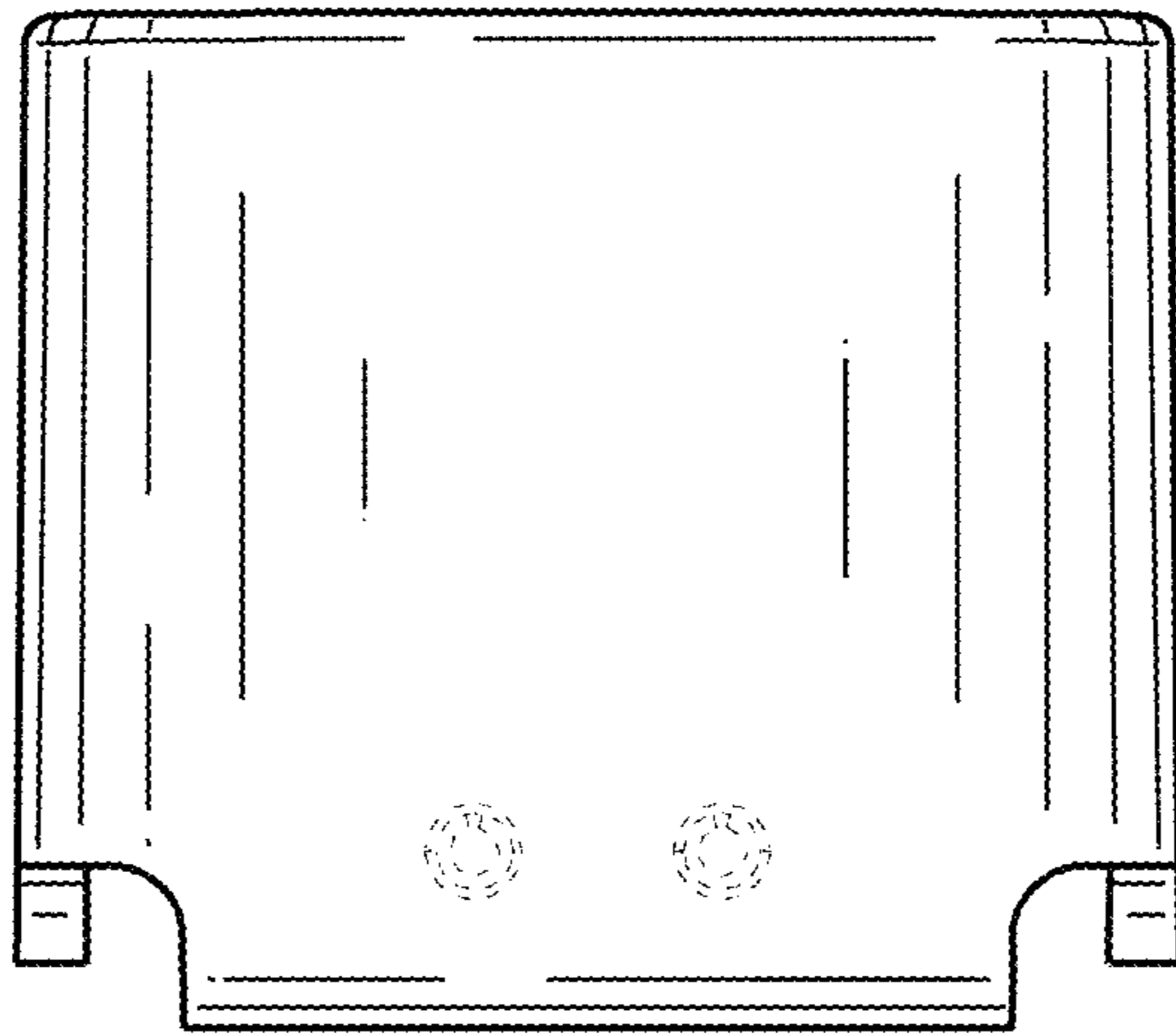


FIG. 6

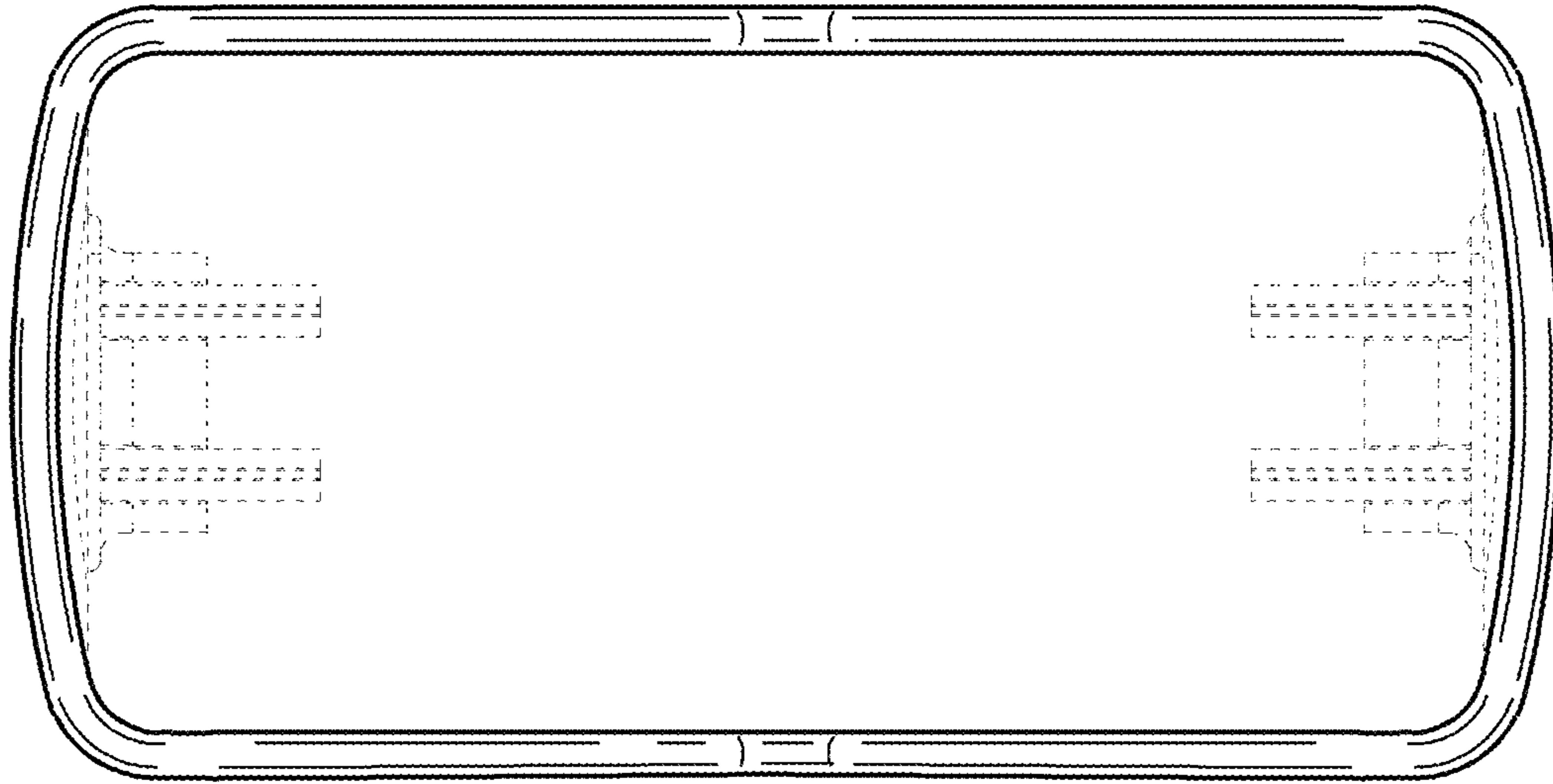


FIG. 7

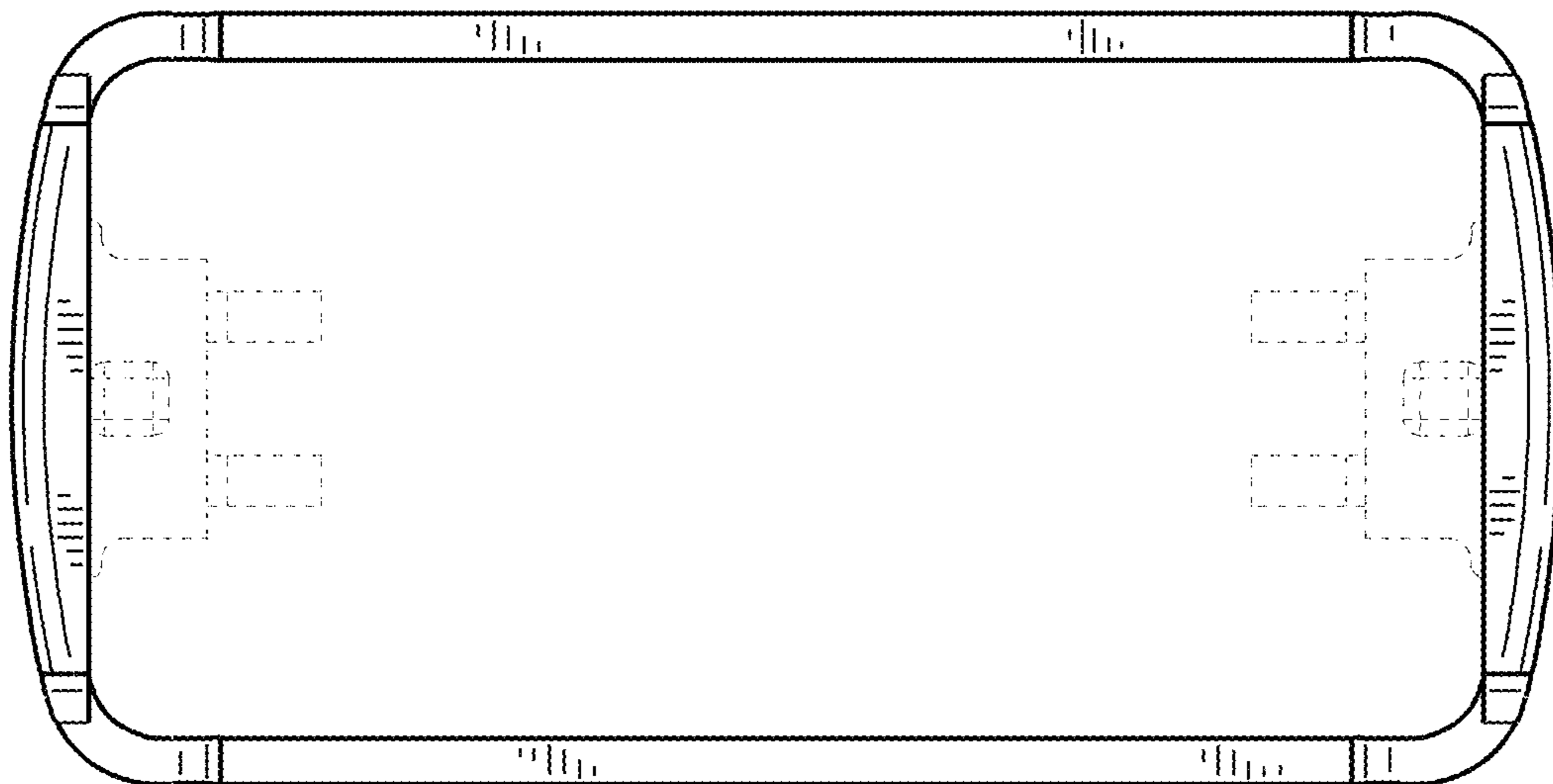


FIG. 8