



US00D782420S

(12) **United States Design Patent** (10) **Patent No.:** **US D782,420 S**
Lee (45) **Date of Patent:** **** Mar. 28, 2017**

(54) **POWER CORD**
(71) Applicant: **Seung Sang Lee**, Los Angeles, CA (US)
(72) Inventor: **Seung Sang Lee**, Los Angeles, CA (US)
(**) Term: **14 Years**
(21) Appl. No.: **29/514,402**
(22) Filed: **Jan. 12, 2015**
(51) **LOC (10) Cl.** **13-03**
(52) **U.S. Cl.**
USPC **D13/138.1**
(58) **Field of Classification Search**
USPC D13/137.1-137.4, 138.1-138.2,
D13/139.1-139.8, 146, 110, 108, 154;
439/694, 344, 620.21, 172, 692; 320/111;
363/146
CPC H01R 13/62; H01R 13/5845; H01R 13/6675;
H01R 13/502; H01R 13/652; H02J
7/0042; A61B 5/14551
See application file for complete search history.

D573,946 S * 7/2008 Ledbetter D13/110
D581,878 S * 12/2008 Liu D13/154
D627,728 S * 11/2010 Smith D13/108
D655,244 S * 3/2012 Au D13/108
D697,029 S * 1/2014 Chiu D13/110
D732,476 S * 6/2015 Ammann D13/146
D734,261 S * 7/2015 Kelly D13/110
D738,308 S * 9/2015 Sumwalt D13/138.1
D740,751 S * 10/2015 Akana D13/110
2003/0148665 A1* 8/2003 Su H01R 13/652
439/692
2010/0117597 A1* 5/2010 Wang H02J 7/0042
320/111

* cited by examiner

Primary Examiner — Rhea Shields
(74) *Attorney, Agent, or Firm* — East West Law Group;
Heedong Chae

(57) **CLAIM**

The ornamental design for a power cord, as shown and described.

DESCRIPTION

FIG. 1 is a perspective view of a power cord showing my new design;
FIG. 2 is an another perspective view thereof;
FIG. 3 is a front elevational view thereof;
FIG. 4 is a rear elevational view thereof;
FIG. 5 is a left side elevational view thereof;
FIG. 6 is a right side elevational view thereof; and
FIG. 7 is a top plan view thereof; and,
FIG. 8 is a bottom plan view thereof.
In the drawings, the broken lines are for the purpose of illustrating environment only and form no part of the claimed design.

1 Claim, 7 Drawing Sheets

(56) **References Cited**
U.S. PATENT DOCUMENTS
2,301,258 A * 11/1942 Corlew H01R 13/62
439/694
5,462,457 A * 10/1995 Schroepfer H01R 13/5845
439/344
5,660,567 A * 8/1997 Nierlich A61B 5/14551
439/620.21
5,684,689 A * 11/1997 Hahn H01R 13/6675
363/146
D400,173 S * 10/1998 Starec D13/138.1
6,302,717 B1 * 10/2001 Cheung H01R 13/502
439/172

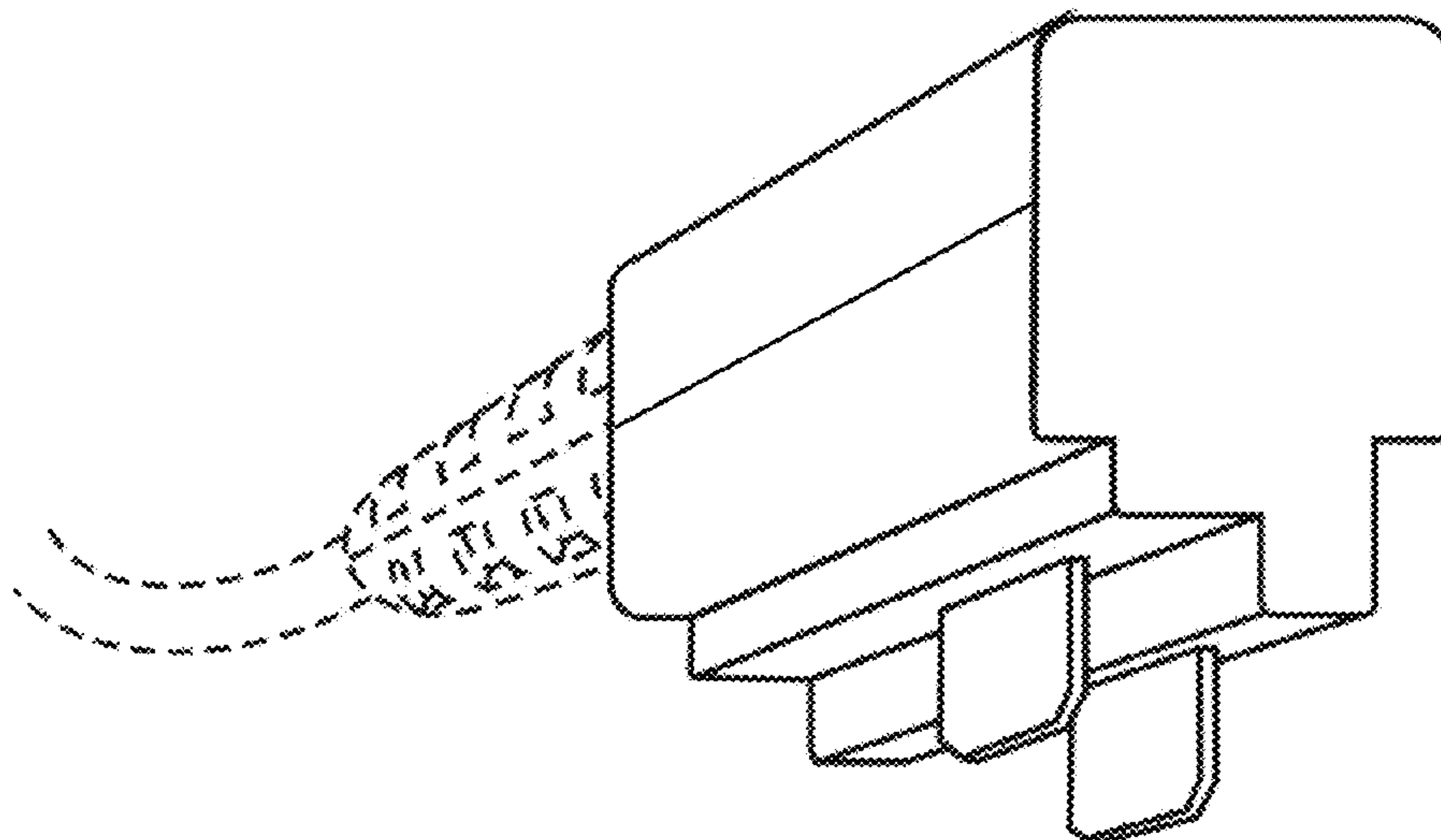


FIG. 1

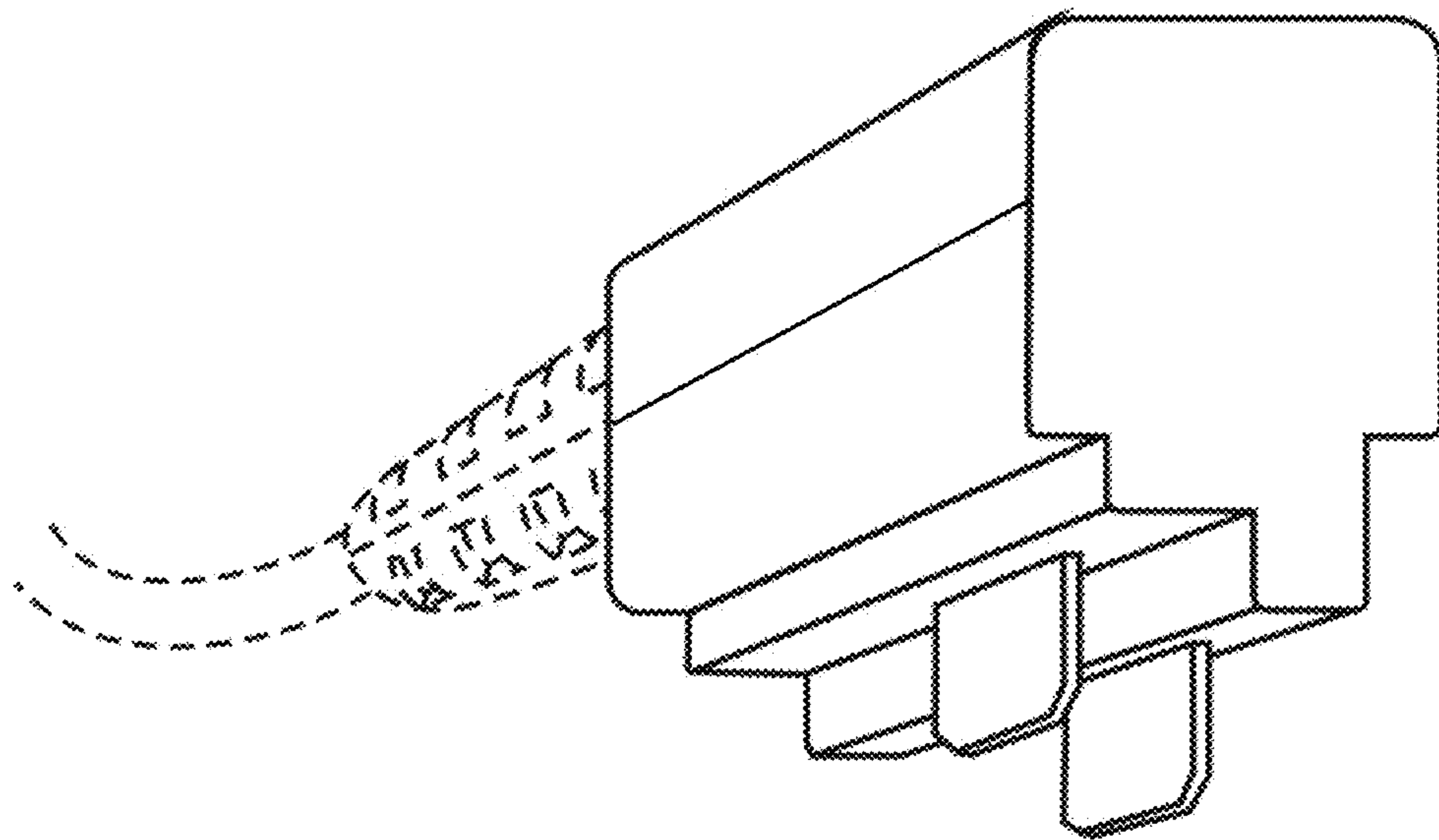


FIG. 2

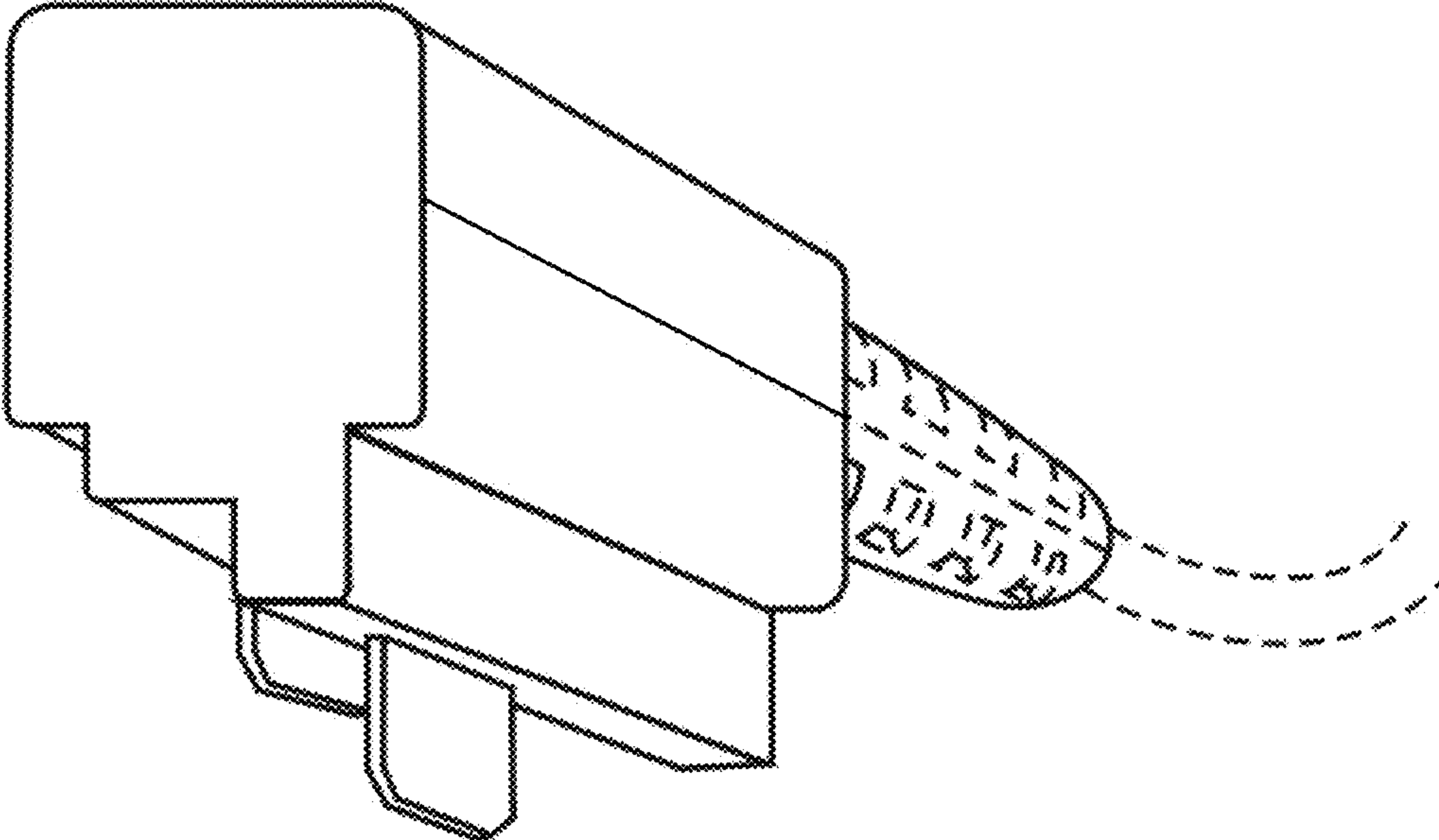


FIG. 3

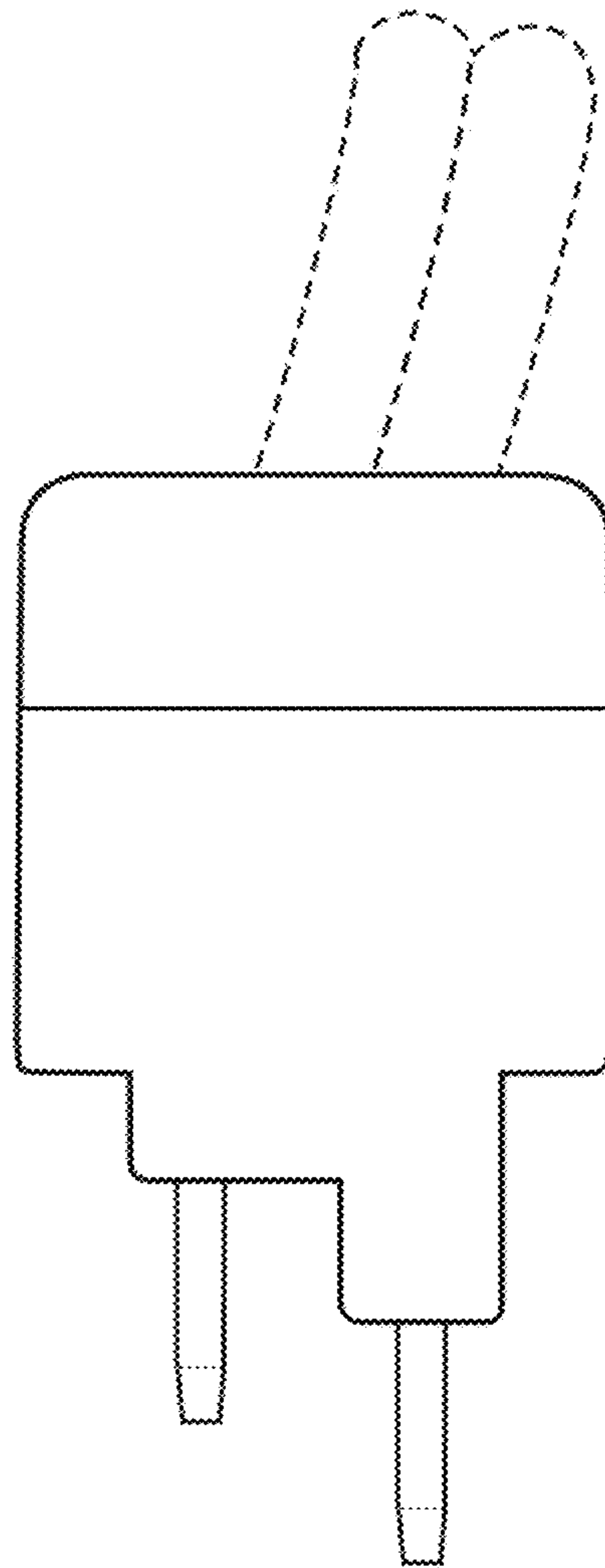


FIG. 4

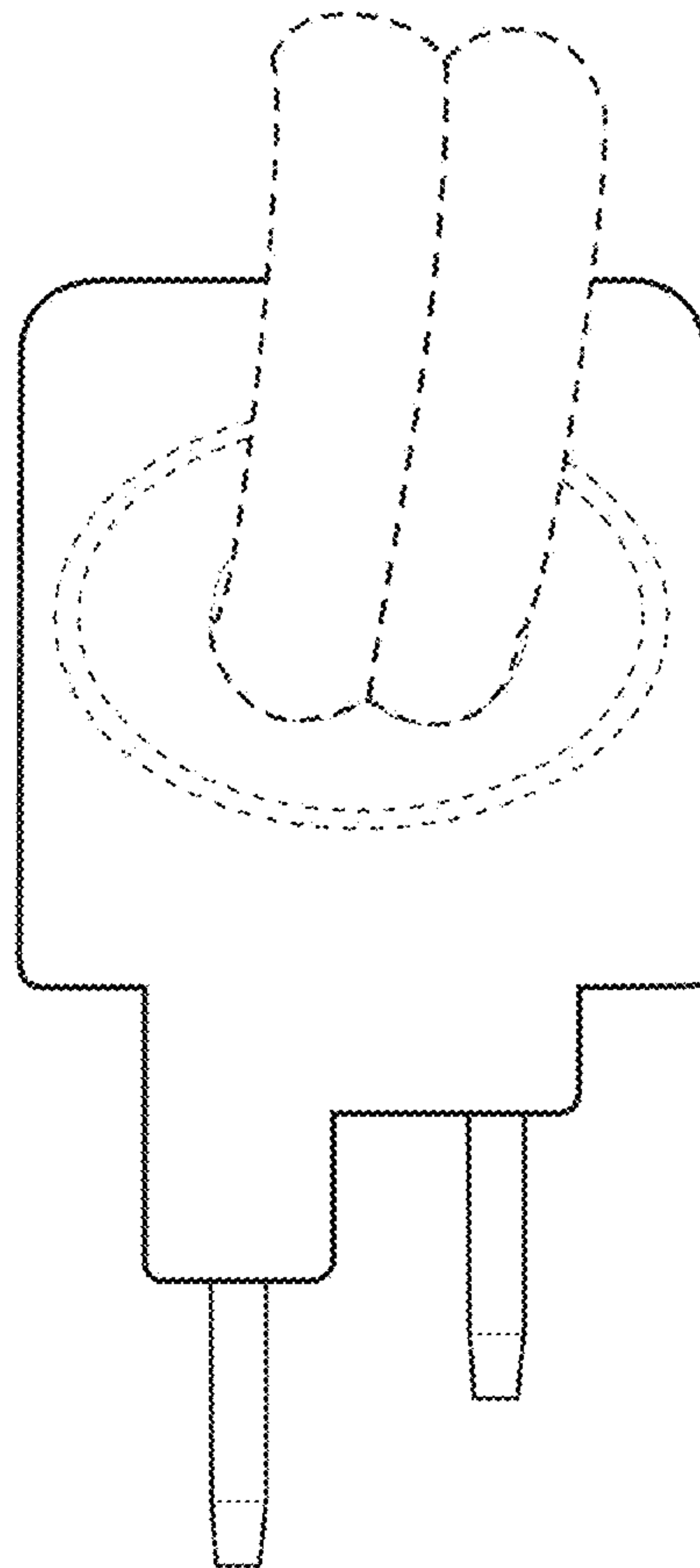


FIG. 5

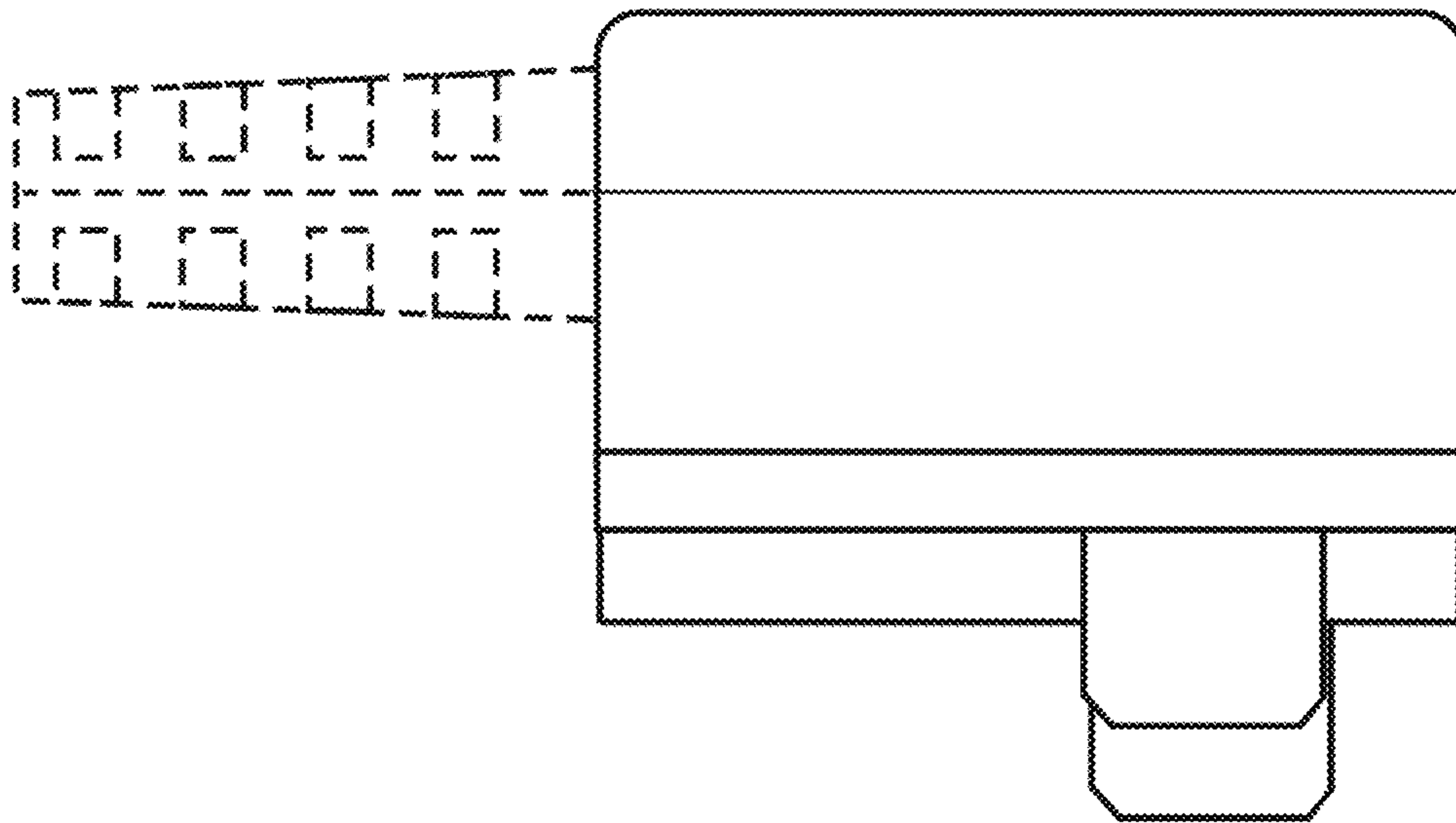


FIG. 6

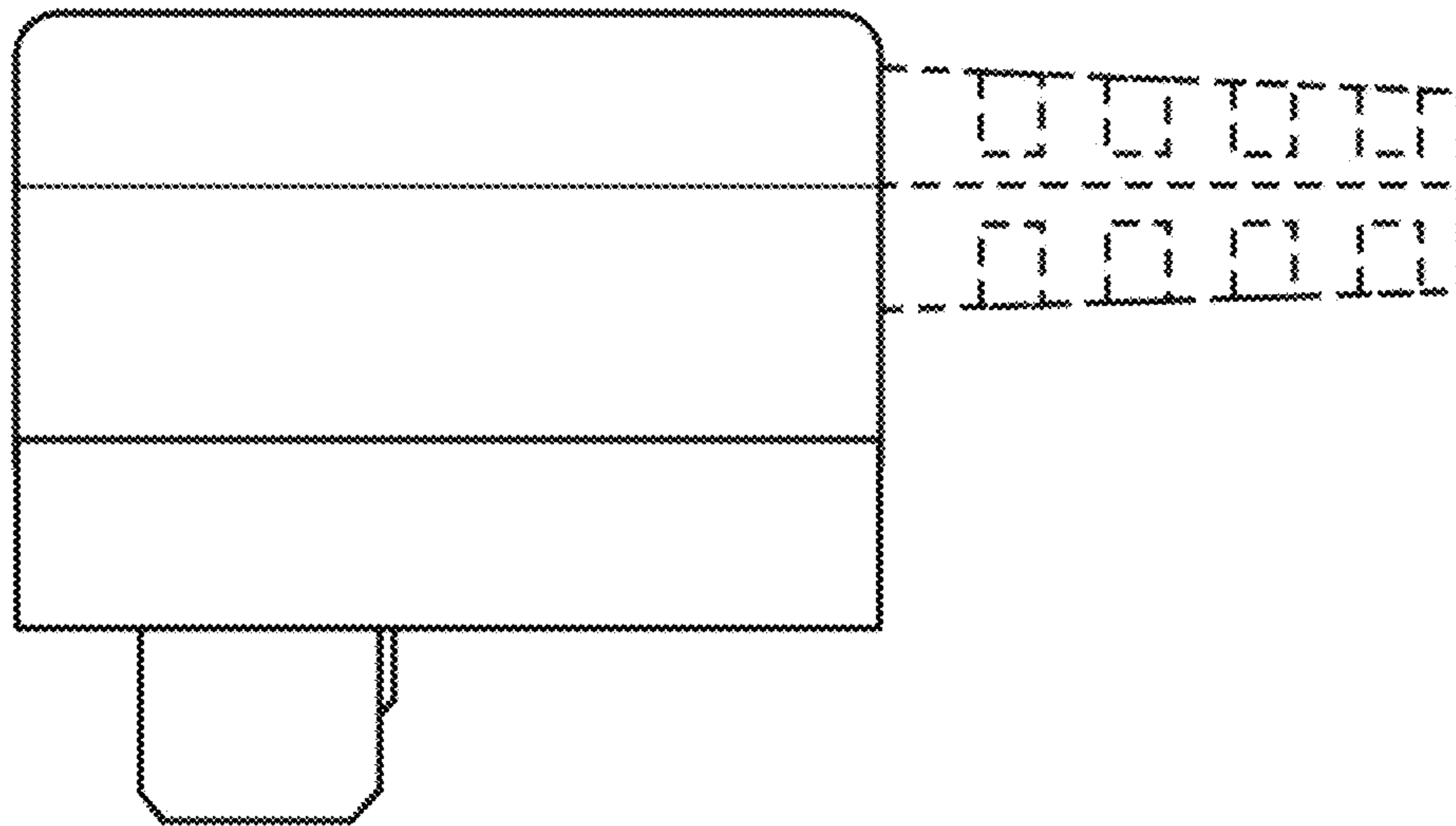


FIG. 7

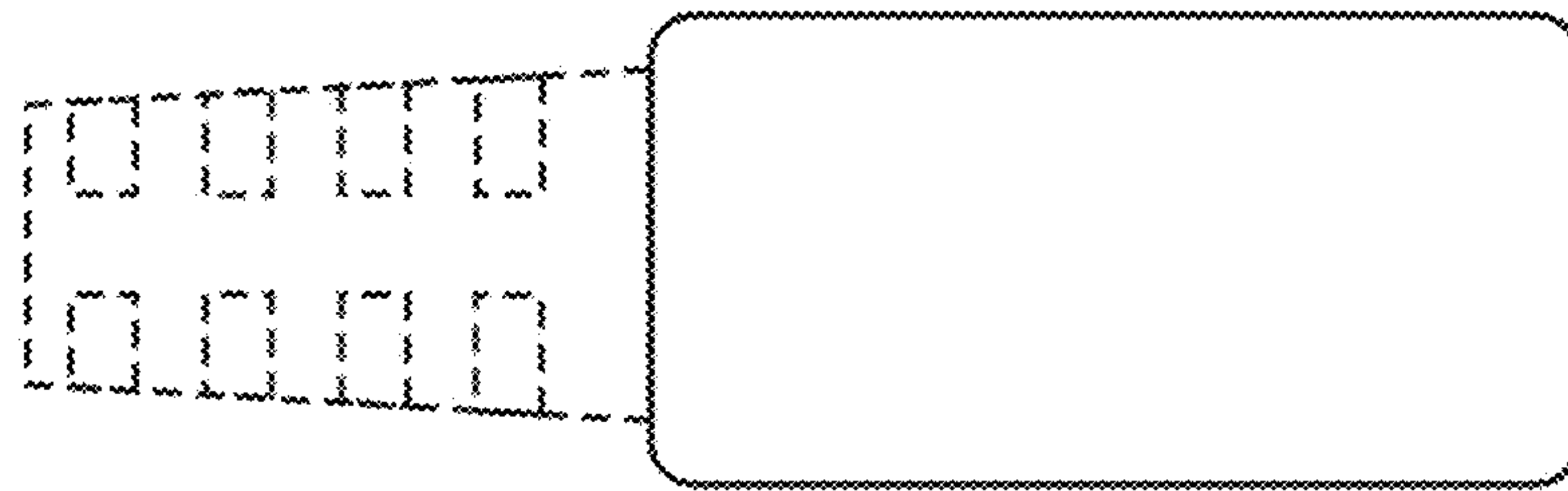


FIG. 8

