



US00D782419S

(12) **United States Design Patent**
Willette

(10) **Patent No.:** **US D782,419 S**

(45) **Date of Patent:** **** Mar. 28, 2017**

(54) **FEMALE KEYED LAMP PLUG**
(71) Applicant: **Christopher C. Willette**, Tequesta, FL
(US)
(72) Inventor: **Christopher C. Willette**, Tequesta, FL
(US)

(**) Term: **14 Years**

(21) Appl. No.: **29/500,240**

(22) Filed: **Aug. 22, 2014**

(51) **LOC (10) Cl.** **13-03**

(52) **U.S. Cl.**
USPC **D13/134**

(58) **Field of Classification Search**
USPC D13/101, 103, 110, 118, 123, 133-136,
D13/146, 147, 149, 151-156, 173, 182,
D13/184, 199; D26/1-3, 27, 113, 142
CPC A61L 9/20; B01J 19/12; F21S 8/00; F21V
19/00; H01H 85/00; H01J 5/48; H01J
5/50; H01J 5/54; H01J 19/48; H01R 4/24;
H01R 13/00; H01R 13/66; H01R 24/00;
H01R 33/00; H01R 33/05; H01R 33/08
See application file for complete search history.

(56) **References Cited**

U.S. PATENT DOCUMENTS

2,925,511 A	2/1960	Skellett	
D289,206 S	4/1987	Scoville, Jr. et al.	
D296,325 S	6/1988	Hugin	
D316,611 S	4/1991	Spina	
D452,214 S *	12/2001	Vieno	D13/133
D459,301 S	6/2002	Fang Wong	
D487,252 S	3/2004	Schweitzer	
D518,778 S	4/2006	Wardenburg	
D527,346 S *	8/2006	Brodin	D13/146
D537,414 S	2/2007	Saito	
D542,735 S *	5/2007	Keilholz	D13/134
D546,762 S *	7/2007	Kovacs	D13/134

D547,724 S	7/2007	Ciancanelli et al.	
D558,673 S	1/2008	Easley	
D577,337 S	9/2008	Zayas	
D583,761 S	12/2008	Schenck	
D585,837 S *	2/2009	Kuehne	D13/146

(Continued)

Primary Examiner — Thomas Johannes
Assistant Examiner — Shawn T Gingrich
(74) *Attorney, Agent, or Firm* — Akerman LLP; Michael
K. Dixon

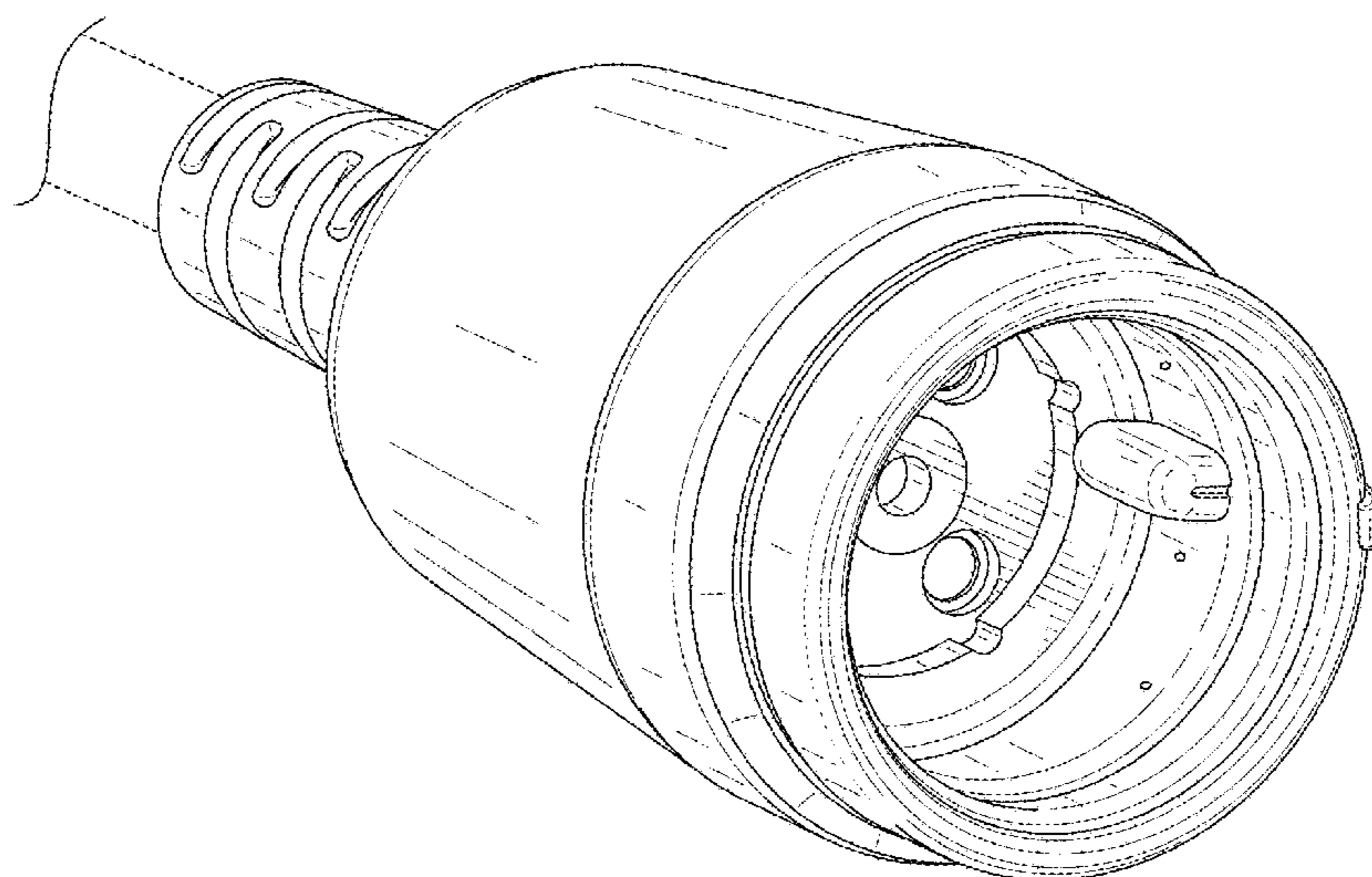
(57) **CLAIM**

The ornamental design for a female keyed lamp plug, as shown and described.

DESCRIPTION

FIG. 1 is a perspective view of a female keyed lamp plug according to the invention.
FIG. 2 is a front view of the female keyed lamp plug of FIG. 1.
FIG. 3 is a top view of the female keyed lamp plug of FIG. 1.
FIG. 4 is a bottom view of the female keyed lamp plug of FIG. 1.
FIG. 5 is a left side view of the female keyed lamp plug of FIG. 1. The right side view is identical to the left side view; and,
FIG. 6 is a rear view of the female keyed lamp plug of FIG. 1.
The broken line portion of the figure drawings is included to show portions of the article that forms no part of the claimed design. The female keyed lamp plug is shown with symbolic break in its length, represented by a curved break line. The appearance of any portion of the article beyond the break lines forms no part of the claimed design.
This design is directed to a female keyed lamp plug for electrical devices.

1 Claim, 6 Drawing Sheets



(56)

References Cited

U.S. PATENT DOCUMENTS

D593,706 S 6/2009 Zayas et al.
D616,822 S * 6/2010 Zayas D13/134
D625,438 S * 10/2010 Lai D26/2
D632,833 S 2/2011 Lee
D638,572 S 5/2011 Lee
D647,226 S * 10/2011 Huang D26/2
D679,413 S 4/2013 Bucher et al.
D694,189 S * 11/2013 Ledinger D13/146
D700,577 S * 3/2014 Ding D13/134
D709,643 S 7/2014 Kohler et al.
9,062,870 B2 6/2015 Hoang
D751,506 S 3/2016 Liu
2004/0150998 A1 * 8/2004 Fan F21S 4/10
362/267
2005/0052867 A1 3/2005 Wardenburg
2008/0076281 A1 3/2008 Ciancanelli et al.
2008/0188131 A1 8/2008 Zayas
2009/0156037 A1 6/2009 Zayas et al.
2013/0340460 A1 12/2013 Andros et al.

* cited by examiner

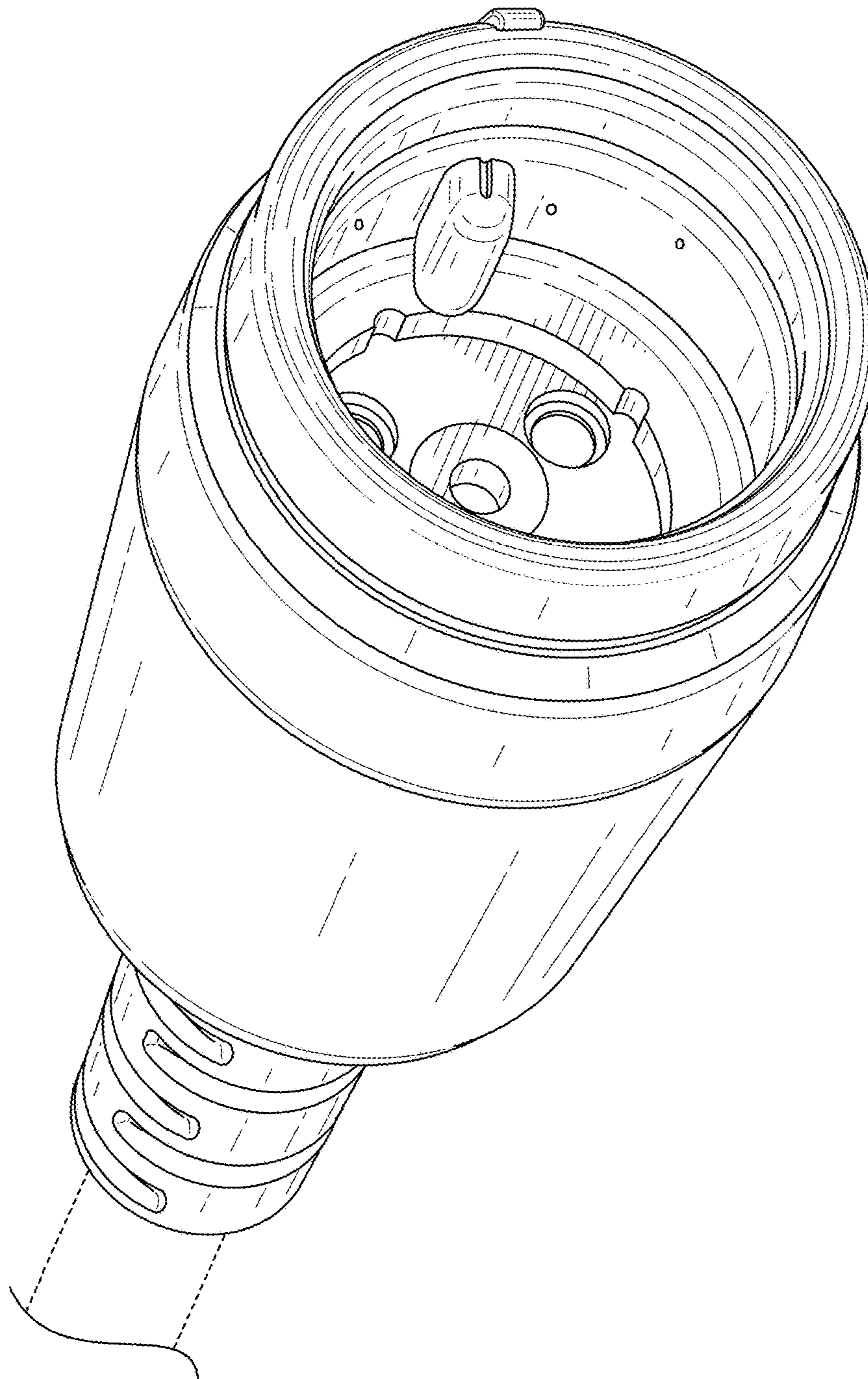


FIG. 1

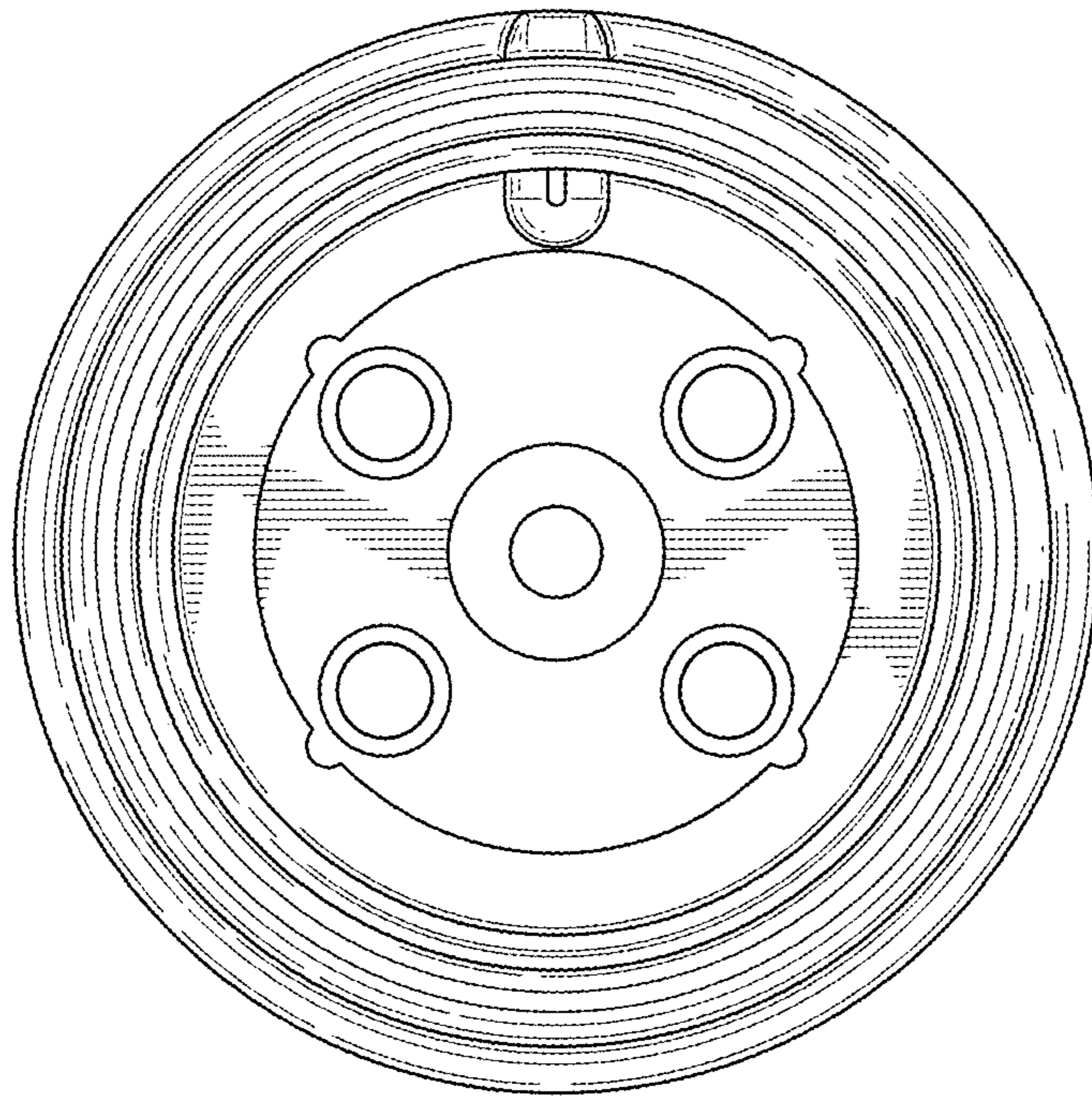


FIG. 2

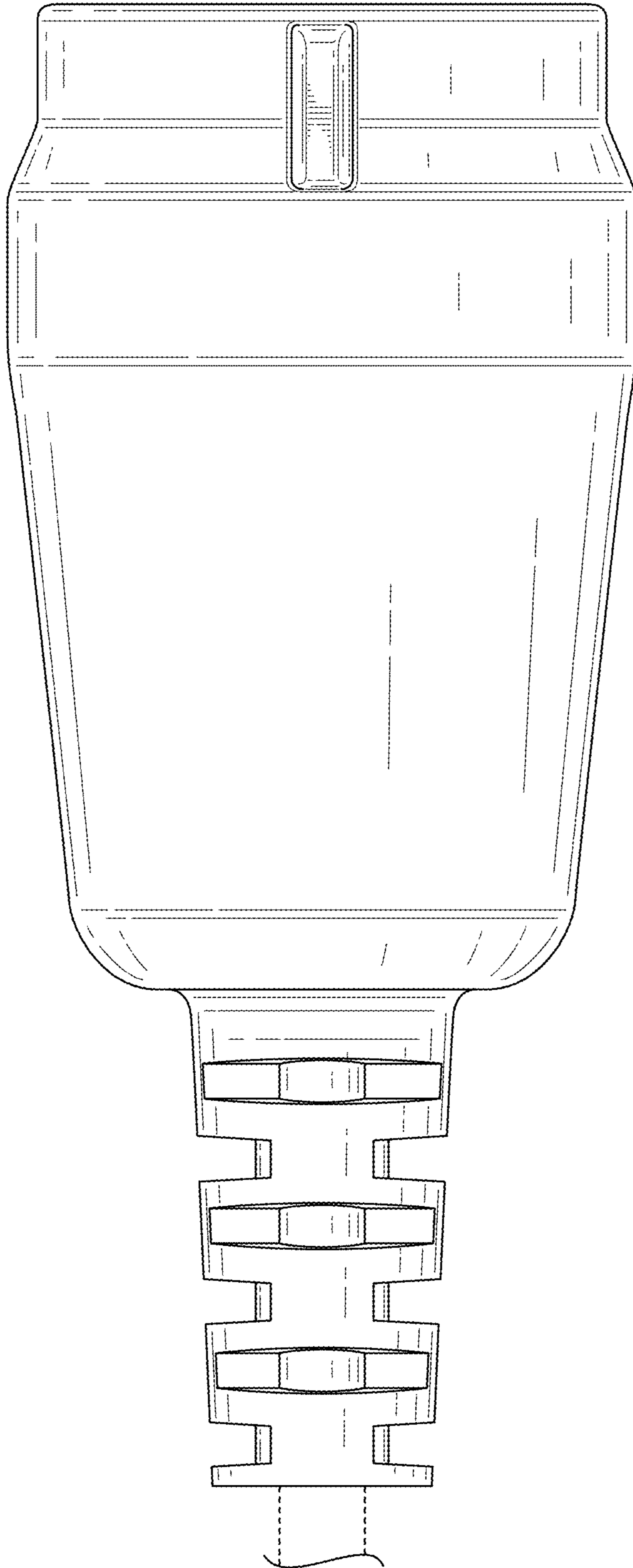


FIG. 3

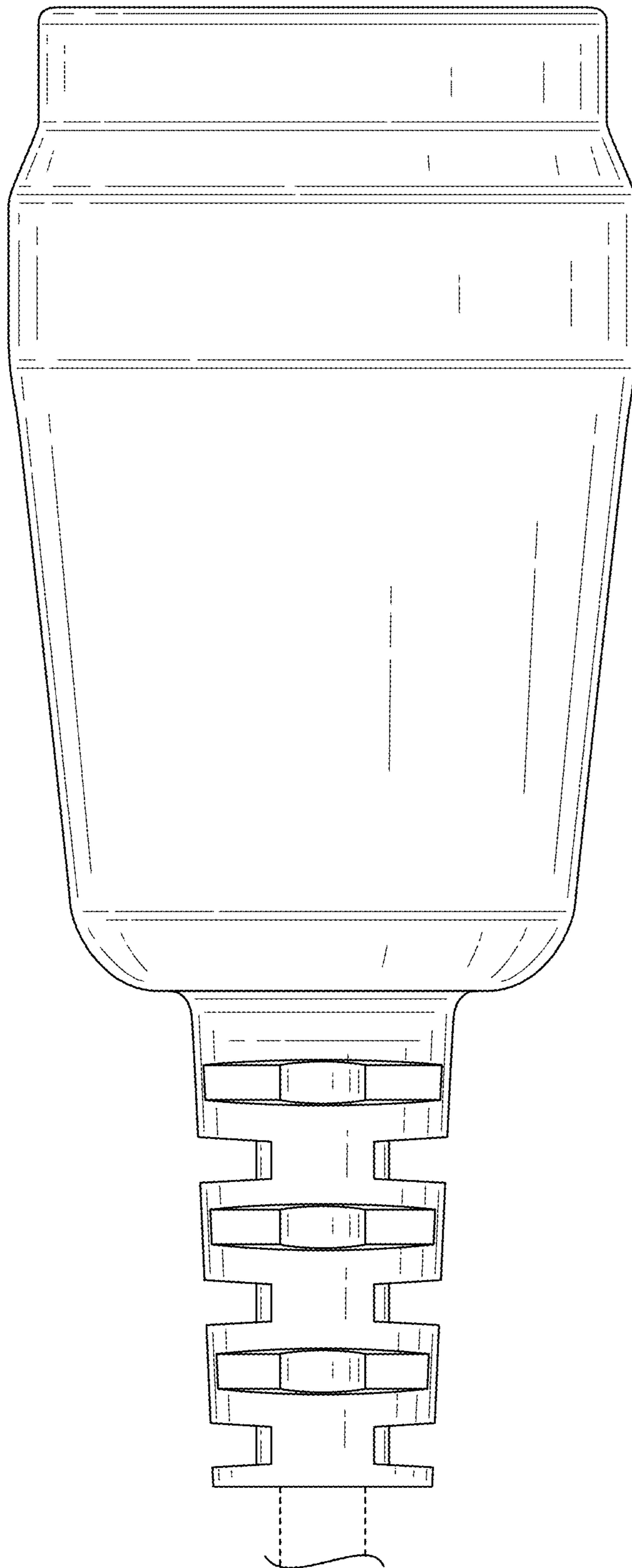


FIG. 4

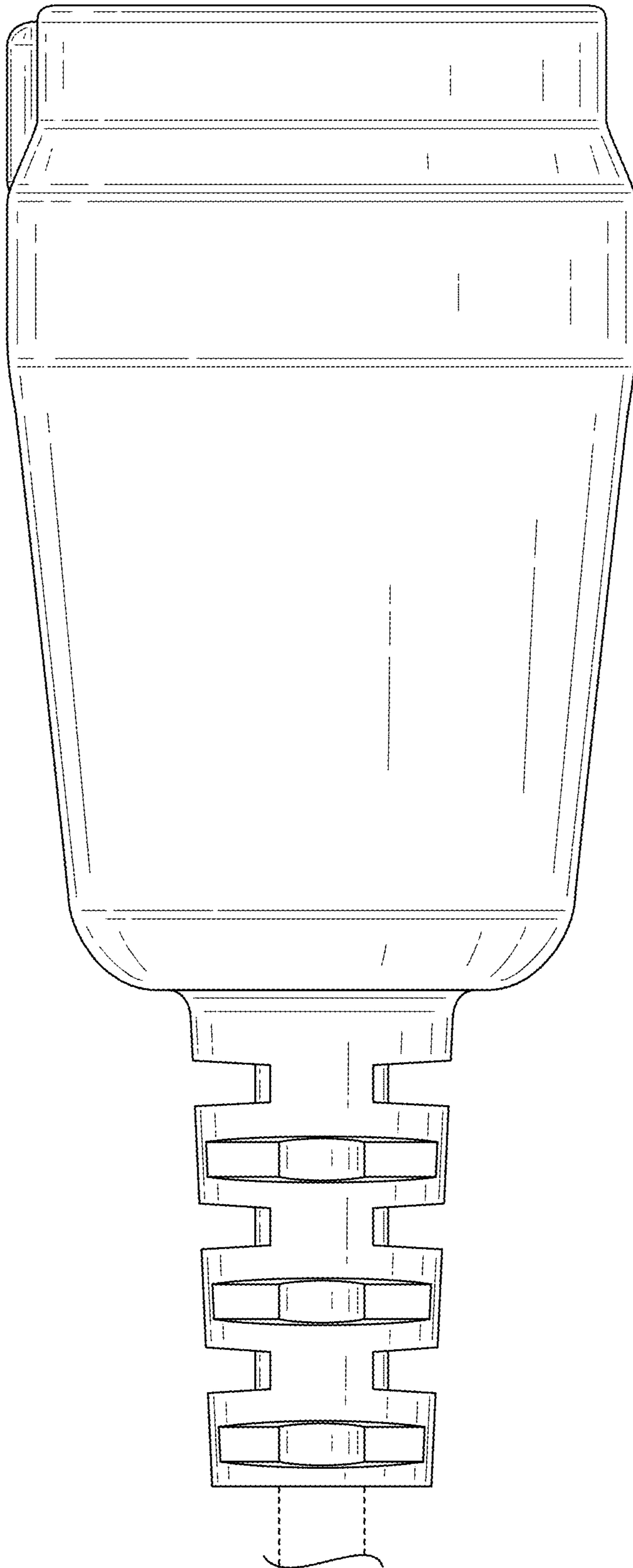


FIG. 5

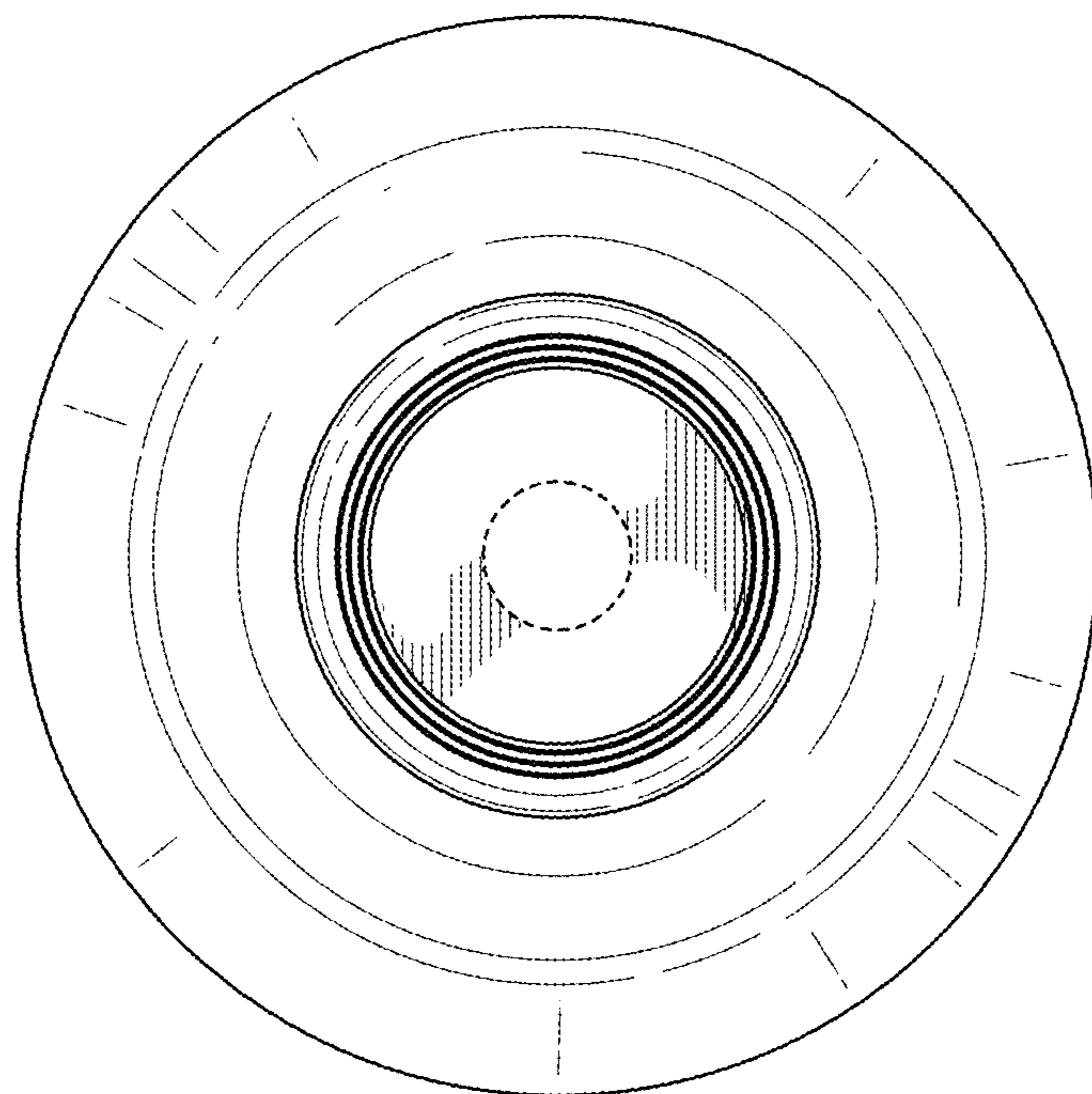


FIG. 6