



US00D782410S

(12) **United States Design Patent**
Li et al.

(10) **Patent No.:** **US D782,410 S**
(45) **Date of Patent:** **** Mar. 28, 2017**

(54) **PORTABLE POWER SUPPLY**

(71) Applicants: **HONGFUJIN PRECISION ELECTRONICS(CHONGQING)CO. LTD**, Chongqing (CN); **HON HAI PRECISION INDUSTRY CO., LTD.**, New Taipei (TW)

(72) Inventors: **Yao Li**, Shenzhen (CN); **Chih-Kang Cho**, New Taipei (TW); **Te-Hsu Wang**, New Taipei (TW)

(73) Assignees: **HONGFUJIN PRECISION ELECTRONICS (CHONGQING) CO. LTD**, Chongqing (CN); **HON HAI PRECISION INDUSTRY CO., LTD.**, New Taipei (TW)

(**) Term: **15 Years**

(21) Appl. No.: **29/548,969**

(22) Filed: **Dec. 17, 2015**

(30) **Foreign Application Priority Data**

Dec. 11, 2015 (CN) 2015 3 0522752

(51) **LOC (10) Cl.** **13-02**

(52) **U.S. Cl.**
USPC **D13/103; D13/108**

(58) **Field of Classification Search**
USPC D13/102-106, 110, 118-119, 184, 199, D13/107-109, 103; 429/170, 176, 163, 429/96-100; D14/372, 356, 432
CPC Y02E 60/12; Y02E 60/122; Y02E 60/124; Y02E 60/50; H02J 2007/0062; H02J 7/00; H02J 7/0003; H02J 7/0011; H02J 7/0013; H02J 7/0054; H02J 7/0055; H02J 7/0057; H01M 2200/30; H01M 2250/30; H01M 2250/40; H01M 10/44; H01M 10/46; H01M 10/465; H01M 10/482;

H01M 10/4257; H01M 10/0436; H01M 10/48; H01M 2/20; H01M 2/202; H01M 2/206; H01M 2/02; H01M 2/022; H01M 2/0202; H01M 2/0207; H01M 2/0212; H01M 2/1061; H01M 2/1022; H01M 2/1055; H01M 2/1066; H01M 2/105; H01M 2/204

See application file for complete search history.

(56) **References Cited**

U.S. PATENT DOCUMENTS

D715,219 S * 10/2014 Cypress D13/103
D729,727 S * 5/2015 Lin D13/103
D763,185 S * 8/2016 Wen D13/103
D763,188 S * 8/2016 Park D13/108
D768,069 S * 10/2016 Hoshikawa D13/103

(Continued)

Primary Examiner — Rosemary K Tarcza

Assistant Examiner — Christy Nemeth

(74) *Attorney, Agent, or Firm* — Zhigang Ma

(57) **CLAIM**

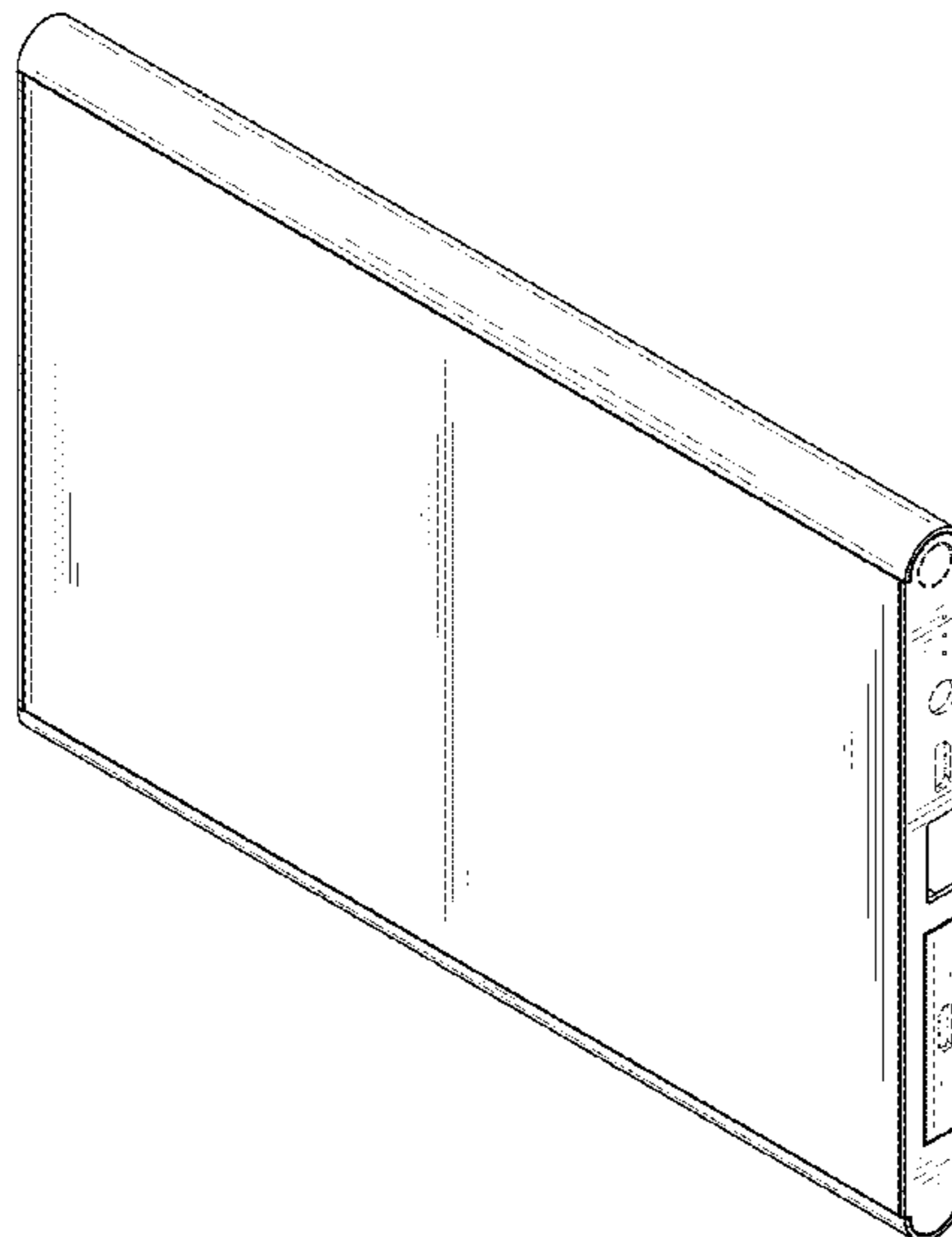
The ornamental design for a portable power supply, as shown and described.

DESCRIPTION

FIG. 1 is a perspective view of a portable power supply showing our new design;
FIG. 2 is a front elevational view thereof;
FIG. 3 is a rear elevational view thereof;
FIG. 4 is a left side elevational view thereof;
FIG. 5 is a right side elevational view thereof;
FIG. 6 is a top plan view thereof; and,
FIG. 7 is a bottom plan view thereof.

The broken lines in the drawings are employed to show unclaimed portions of the portable power supply, and form no part of the claimed design.

1 Claim, 7 Drawing Sheets



(56)

References Cited

U.S. PATENT DOCUMENTS

2009/0297891 A1* 12/2009 Byun H01M 2/22
429/7
2011/0151945 A1* 6/2011 Jiang H01M 2/1066
455/575.1
2012/0106015 A1* 5/2012 Kwak H01M 2/0207
361/103
2016/0164146 A1* 6/2016 Na H01M 10/425
429/7

* cited by examiner

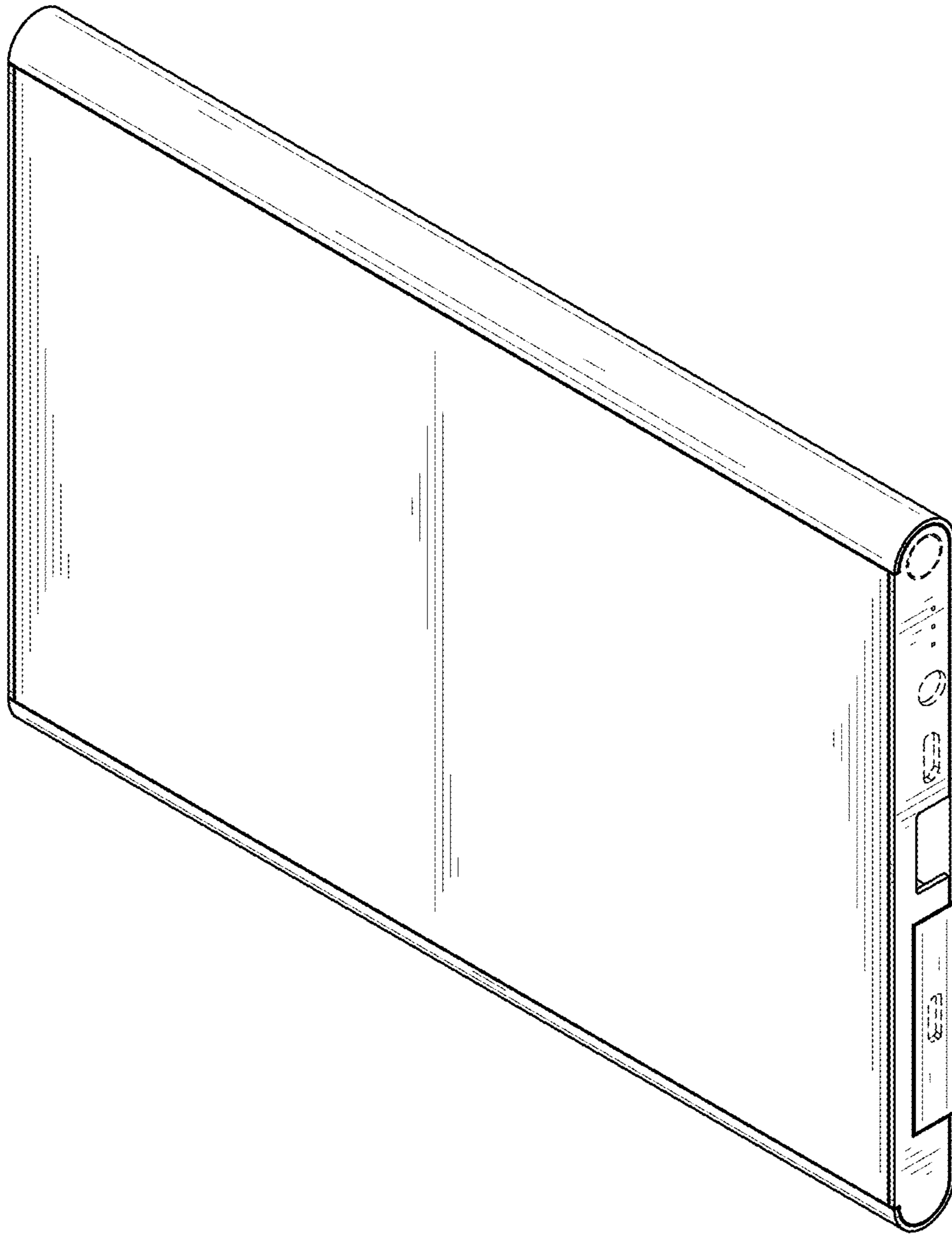


FIG. 1

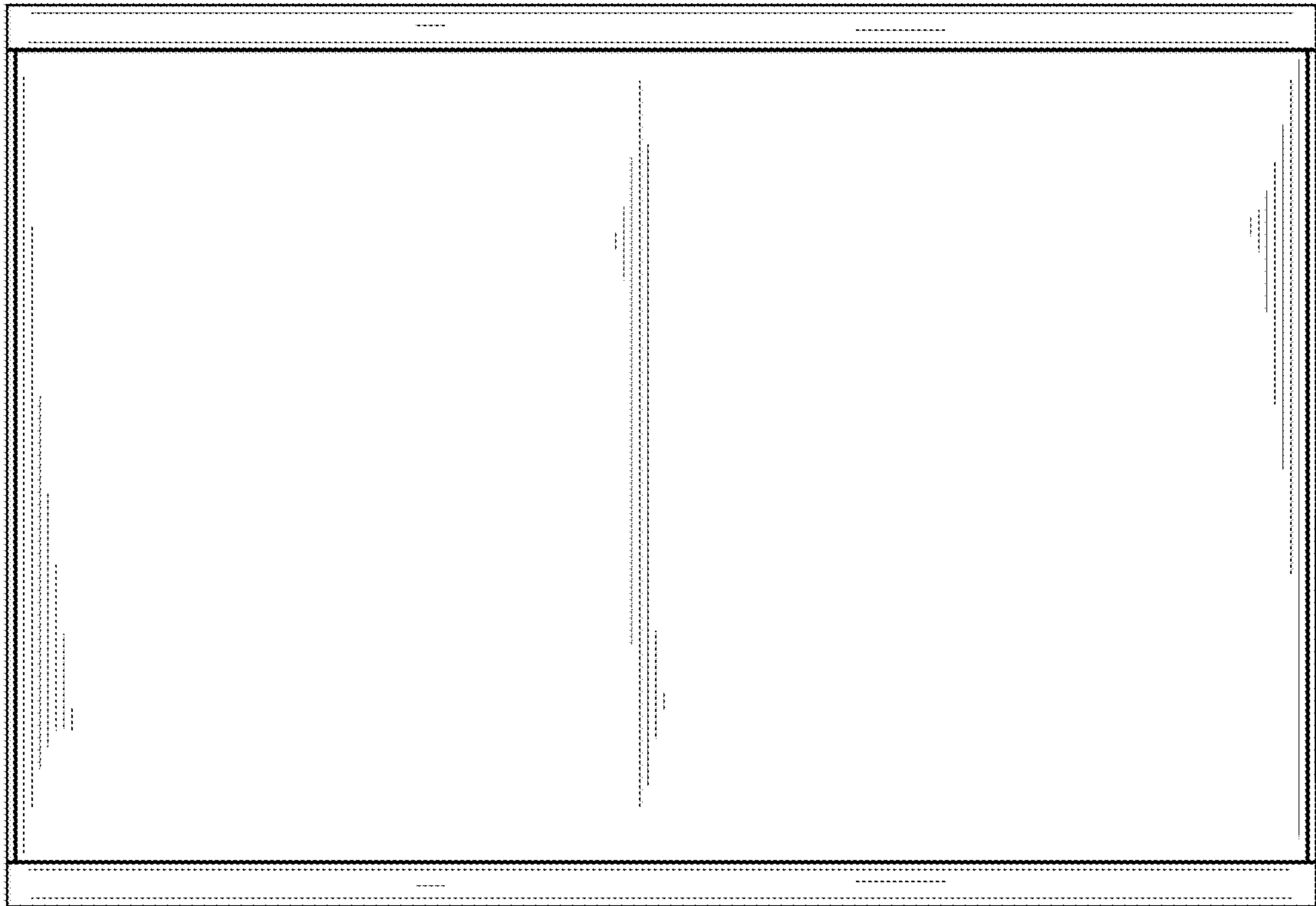


FIG. 2

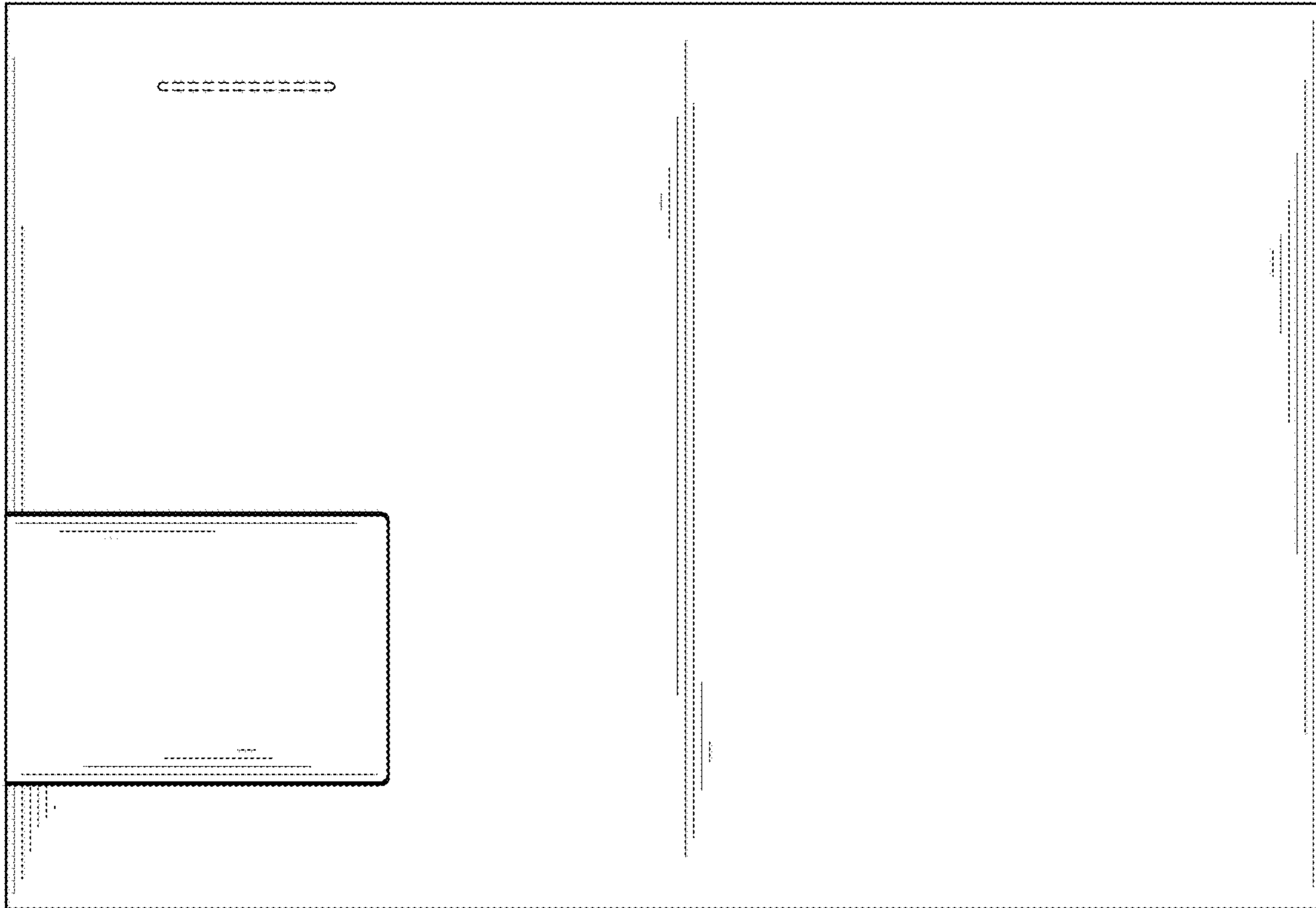


FIG. 3



FIG. 4

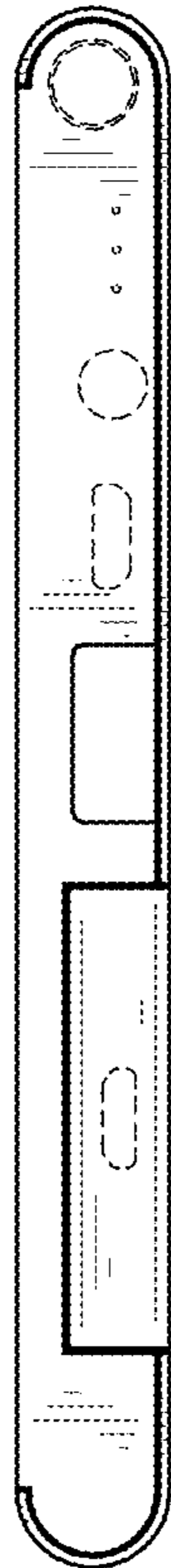


FIG. 5



FIG. 6



FIG. 7