



US00D782407S

(12) **United States Design Patent** (10) **Patent No.:** **US D782,407 S**
Nagase (45) **Date of Patent:** **** Mar. 28, 2017**

- (54) **TIRE FOR AUTOMOBILE**
- (71) Applicant: **Sumitomo Rubber Industries, Ltd.**,
Kobe-shi, Hyogo (JP)
- (72) Inventor: **Hiroki Nagase**, Kobe (JP)
- (73) Assignee: **SUMITOMO RUBBER INDUSTRIES, LTD.**, Kobe-shi (JP)
- (**) Term: **15 Years**
- (21) Appl. No.: **29/549,255**
- (22) Filed: **Dec. 21, 2015**
- (51) **LOC (10) Cl.** **12-15**
- (52) **U.S. Cl.**
USPC **D12/605**
- (58) **Field of Classification Search**
USPC D12/605, 604
CPC B60C 13/00; B60C 1/00
See application file for complete search history.

- D735,123 S * 7/2015 Iwabuchi D12/605
- D735,124 S * 7/2015 Iwabuchi D12/605
- D739,344 S * 9/2015 Kuwano D12/605
- D750,555 S * 3/2016 Iwabuchi D12/605
- D754,063 S * 4/2016 Iwabuchi D12/605
- D768,066 S * 10/2016 Sato D12/605
- D769,806 S * 10/2016 Yasunaga D12/605
- D769,807 S * 10/2016 Ishikawa D12/605
- D773,986 S * 12/2016 Nakamura D12/605
- D773,987 S * 12/2016 Ishikawa D12/605
- D773,988 S * 12/2016 Itoi D12/605

* cited by examiner

Primary Examiner — George D. Kirschbaum
Assistant Examiner — Clese Moore, Jr.
 (74) *Attorney, Agent, or Firm* — Birch, Stewart, Kolasch & Birch, LLP

(57) **CLAIM**

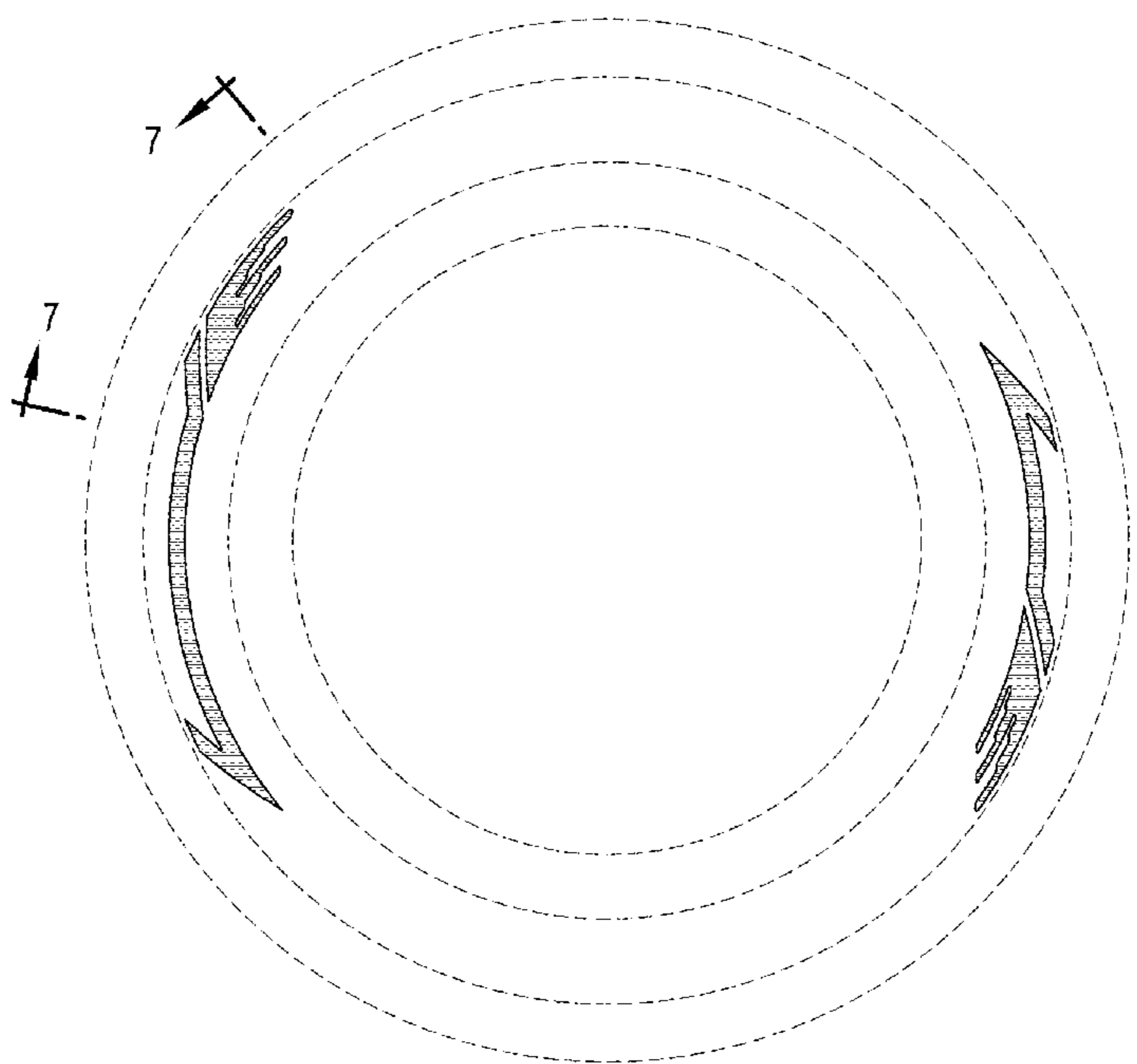
The ornamental design for a tire for automobile, as shown and described.

DESCRIPTION

FIG. 1 is a front view of a tire for automobile showing my new design;
 FIG. 2 is a rear view thereof;
 FIG. 3 is a top view thereof;
 FIG. 4 is a bottom view thereof;
 FIG. 5 is a right side view thereof;
 FIG. 6 is a left side view thereof; and,
 FIG. 7 is a partial enlarged view of the portion 7-7 of FIG. 1.
 The broken lines shown illustrate portions of the tire for automobile that form no part of the claimed design.

1 Claim, 7 Drawing Sheets

- (56) **References Cited**
- U.S. PATENT DOCUMENTS
- D385,834 S * 11/1997 Ratliff, Jr. D12/605
 - D569,337 S * 5/2008 Iwabuchi D12/605
 - D596,118 S * 7/2009 Frappart D12/605
 - D632,641 S * 2/2011 Sato D12/605
 - D647,474 S * 10/2011 Takahashi D12/605
 - D671,066 S * 11/2012 Morito D12/605
 - D683,695 S * 6/2013 Takeshima D12/605
 - D693,761 S * 11/2013 Nakamura D12/605
 - D700,886 S * 3/2014 Matsumoto D12/605
 - D708,121 S * 7/2014 Iwabuchi D12/605
 - D711,816 S * 8/2014 Iwabuchi D12/605
 - D732,468 S * 6/2015 Schoepner D12/605



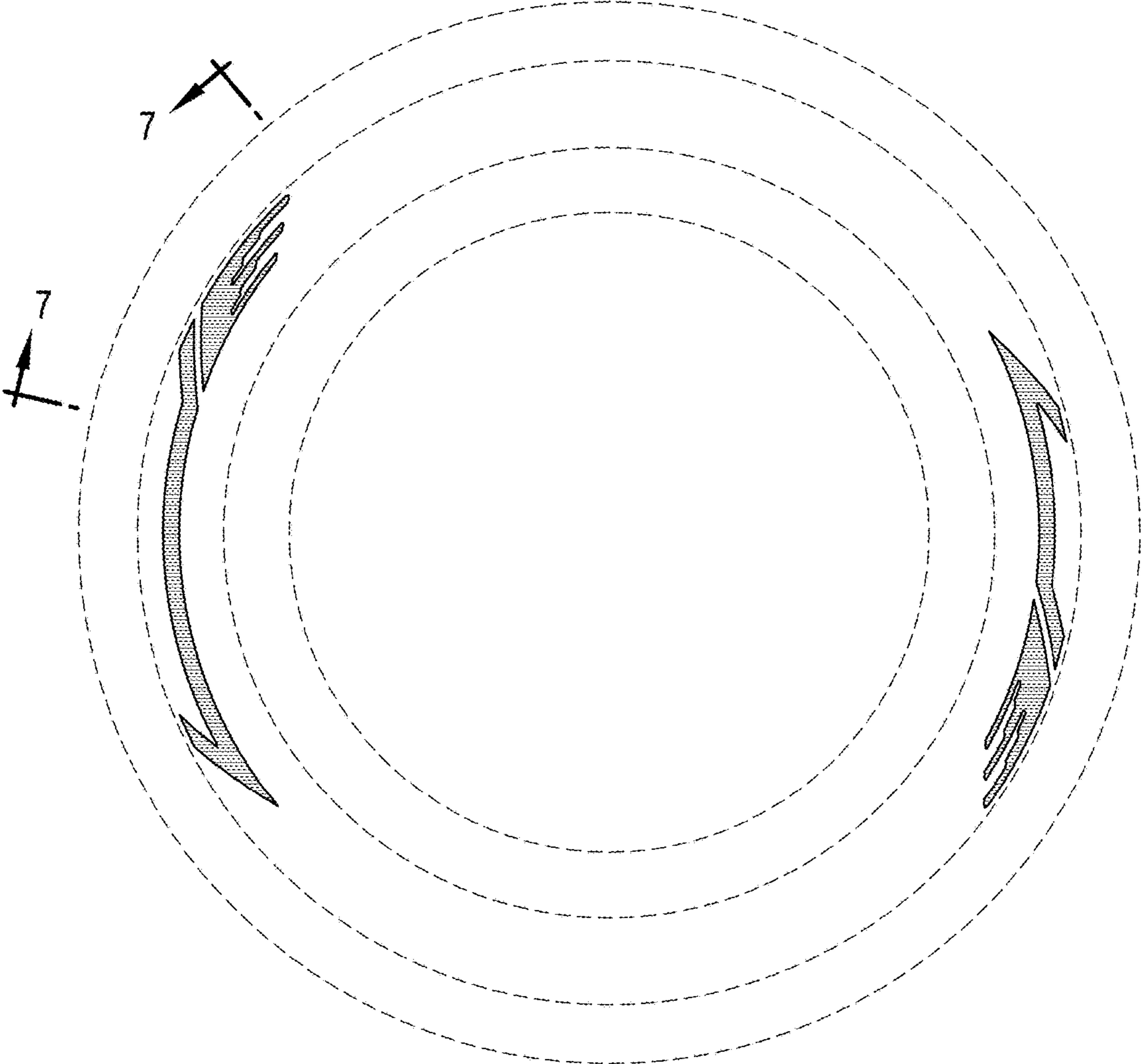


FIG.1

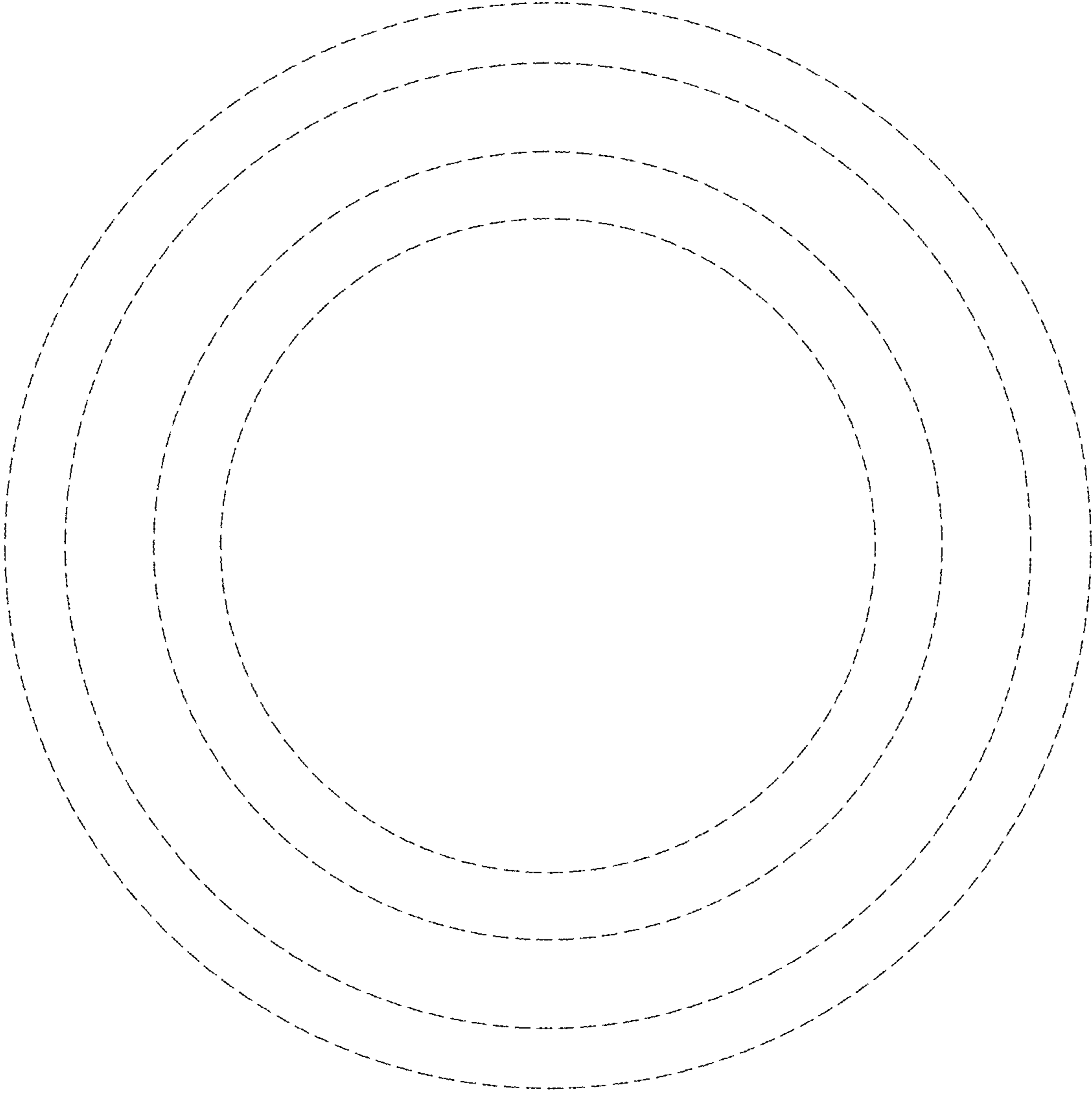


FIG.2

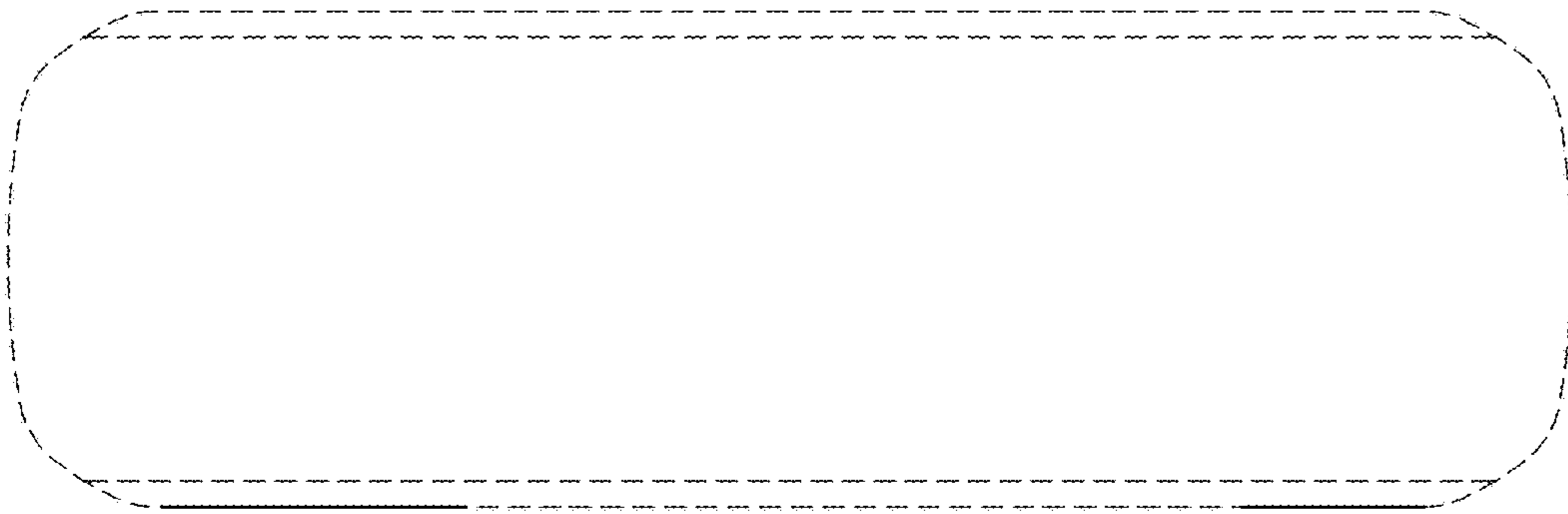


FIG.3



FIG.4

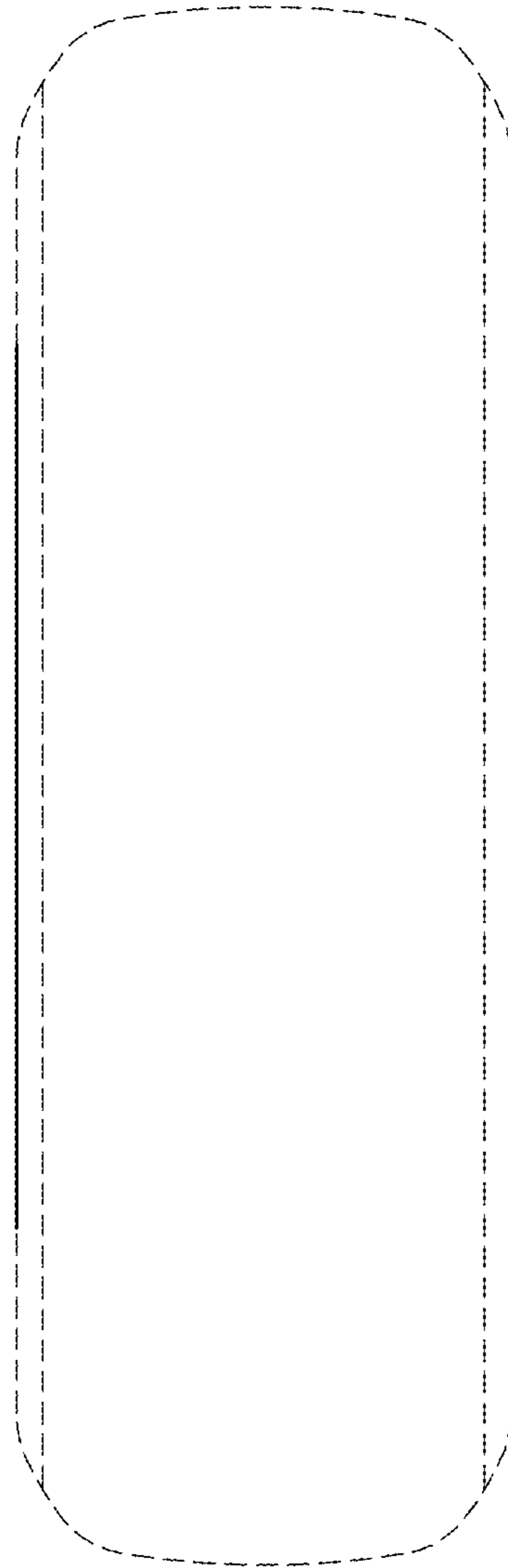


FIG.5

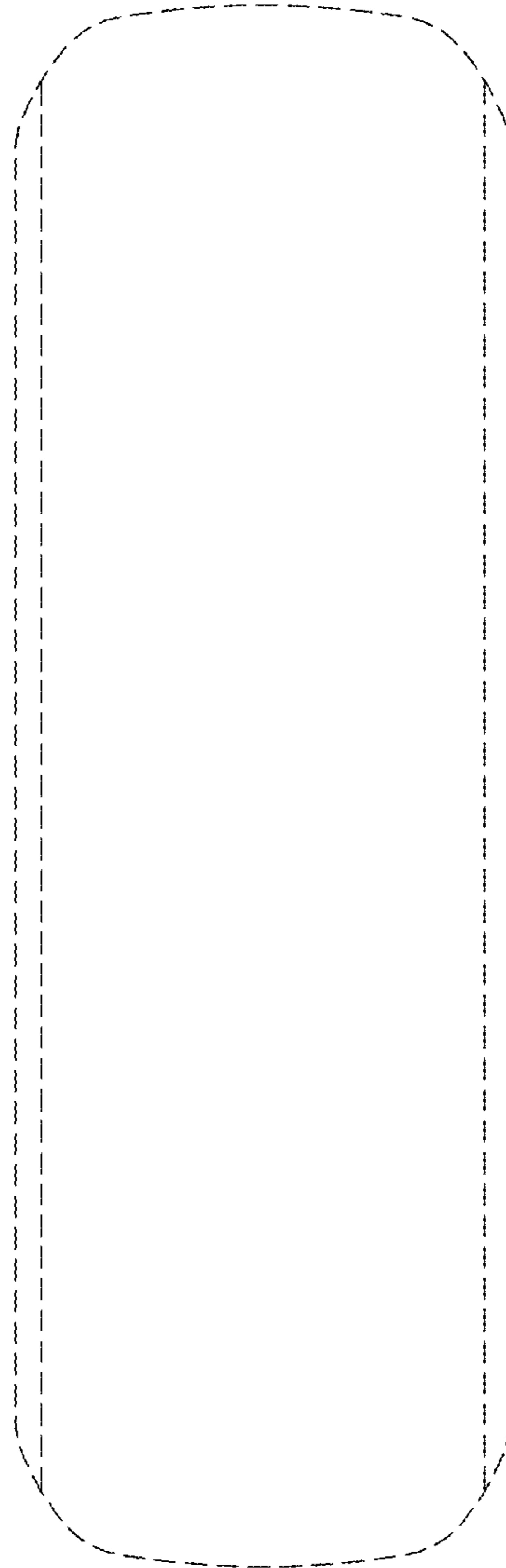


FIG.6

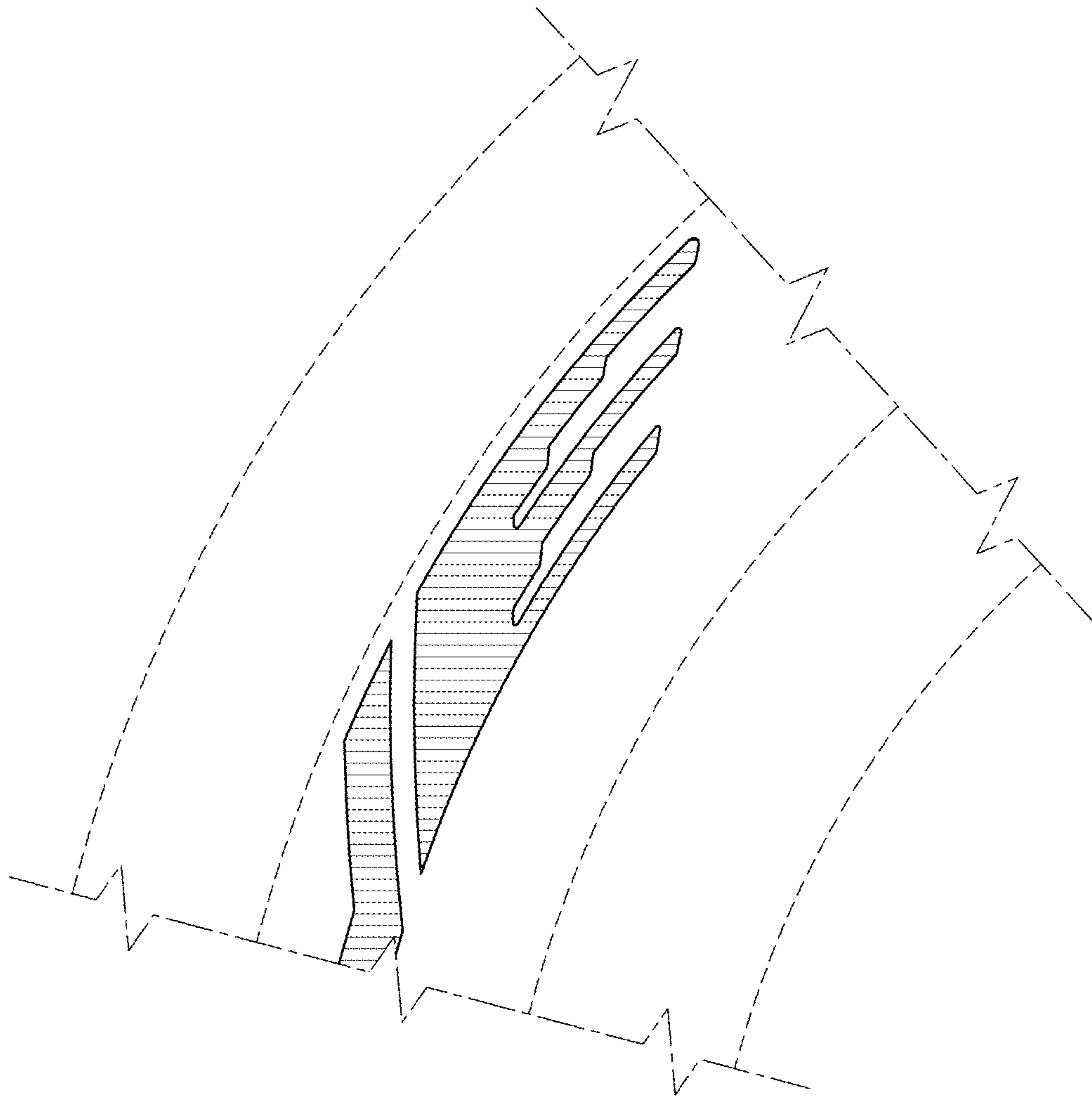


FIG.7