



US00D782403S

(12) **United States Design Patent**
Spinnler et al.

(10) **Patent No.:** **US D782,403 S**

(45) **Date of Patent:** **** Mar. 28, 2017**

(54) **TIRE TREAD**

(71) Applicants: **COMPAGNIE GENERALE DES
ETABLISSEMENTS MICHELIN,**
Clermont-Ferrand (FR); **Michelin
Recherche et Technique S.A.,**
Granges-Paccot (CH)

(72) Inventors: **Olivier Spinnler,** Clermont-Ferrand
(FR); **Arnaud Frappart,**
Clermont-Ferrand (FR)

(73) Assignees: **COMPAGNIE GENERALE DES
ETABLISSEMENTS MICHELIN**
(FR); **MICHELIN RECHERCHE ET
TECHNIQUE S.A.** (CH)

(**) Term: **15 Years**

(21) Appl. No.: **29/546,051**

(22) Filed: **Nov. 18, 2015**

(30) **Foreign Application Priority Data**

May 18, 2015 (FR) 2015-2385

(51) **LOC (10) Cl.** **12-15**

(52) **U.S. Cl.**
USPC **D12/594**

(58) **Field of Classification Search**

USPC D12/579, 587, 588, 594, 600, 601, 900
CPC . B60C 11/03; B60C 11/0306; B60C 11/0309;
B60C 11/0311; B60C 11/0332; B60C
11/0337; B60C 11/11; B60C 11/12
See application file for complete search history.

(56) **References Cited**

U.S. PATENT DOCUMENTS

5,327,953 A * 7/1994 Ichiki B29D 30/0606
152/209.25
D390,173 S * 2/1998 Aoki D12/600

D410,420 S * 6/1999 de Barsy D12/600
D458,584 S * 6/2002 Young D12/600
D628,958 S * 12/2010 Fleckner D12/600
D647,038 S * 10/2011 Jacobs D12/587
D759,582 S * 6/2016 Nobunaga D12/588
D760,152 S * 6/2016 Reim D12/587
D765,583 S * 9/2016 Wang D12/579
2014/0326379 A1 * 11/2014 Tanaka B60C 11/0309
152/209.8

* cited by examiner

Primary Examiner — Robert M Spear

(74) *Attorney, Agent, or Firm* — Dickinson Wright PLLC

(57) **CLAIM**

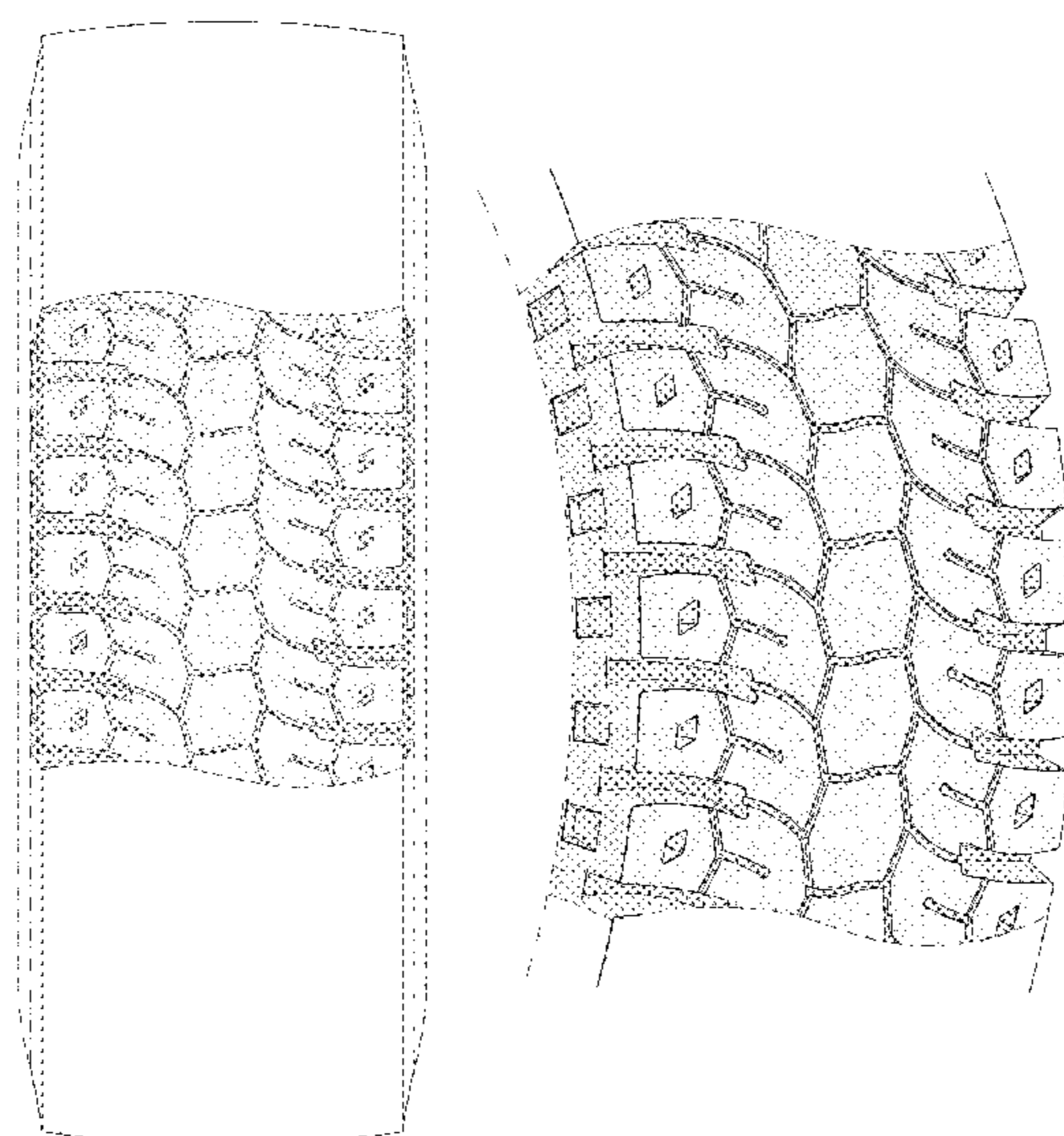
The ornamental design for a tire tread, as shown and described.

DESCRIPTION

FIG. 1 is a perspective view of the tire tread of our design; FIG. 2 is a front elevation view of the tire tread of our design; FIG. 3 is a side elevation view of the tire tread of our design; FIG. 4 is a side elevation view of the tire tread of our design, taken from the opposite side of that shown in FIG. 3; and, FIG. 5 is an enlarged, partial view of FIG. 1.

In the drawings, the broken line disclosure of the tire sidewall and inner bead depicts environmental structure and forms no part of the claimed design. The dash-dot lines represent the peripheral boundary between the claimed tire tread and the unclaimed sidewall. The tread pattern is understood to repeat uniformly throughout the circumference of the tire as shown schematically in solid lines.

1 Claim, 5 Drawing Sheets



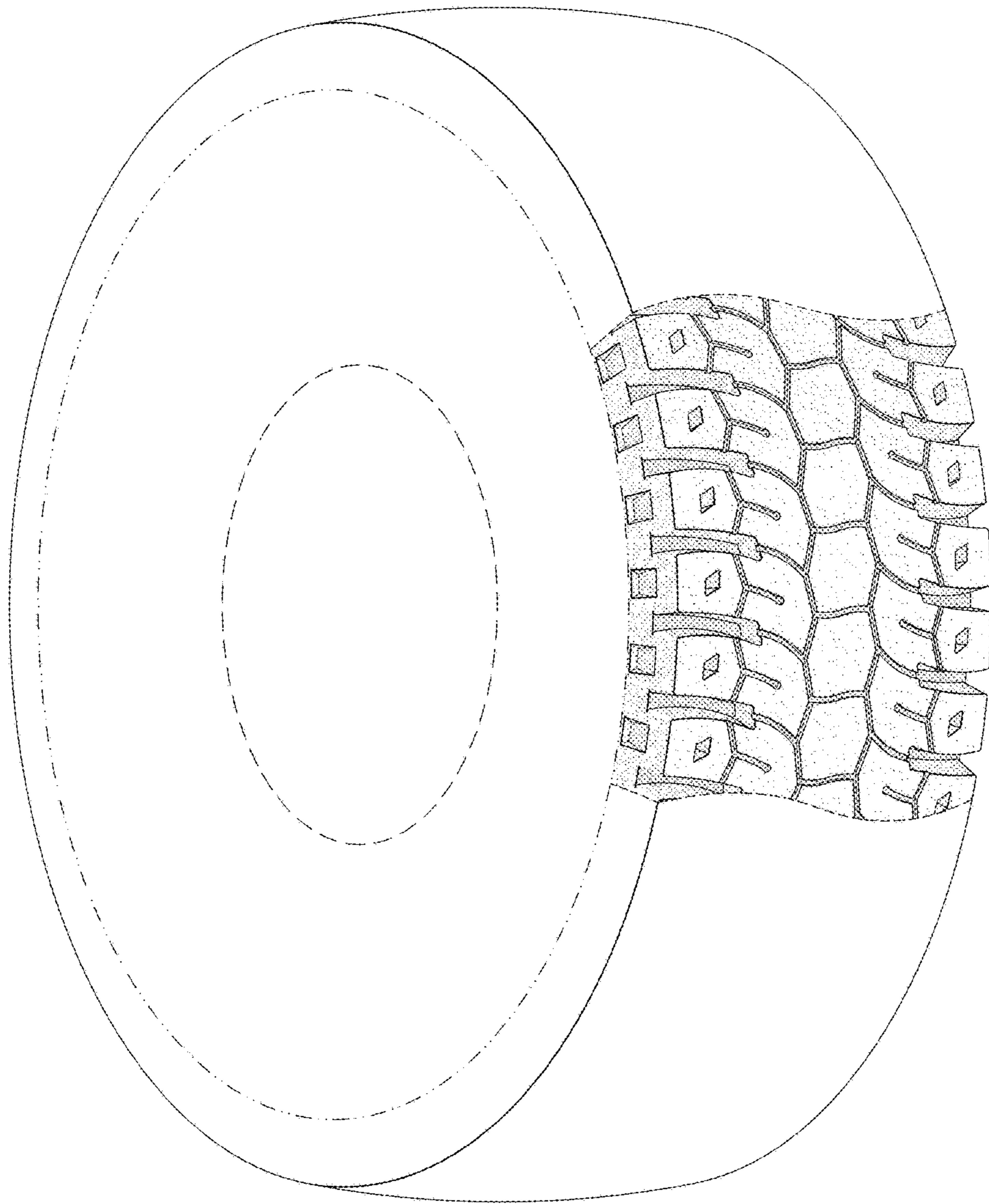


FIG. 1

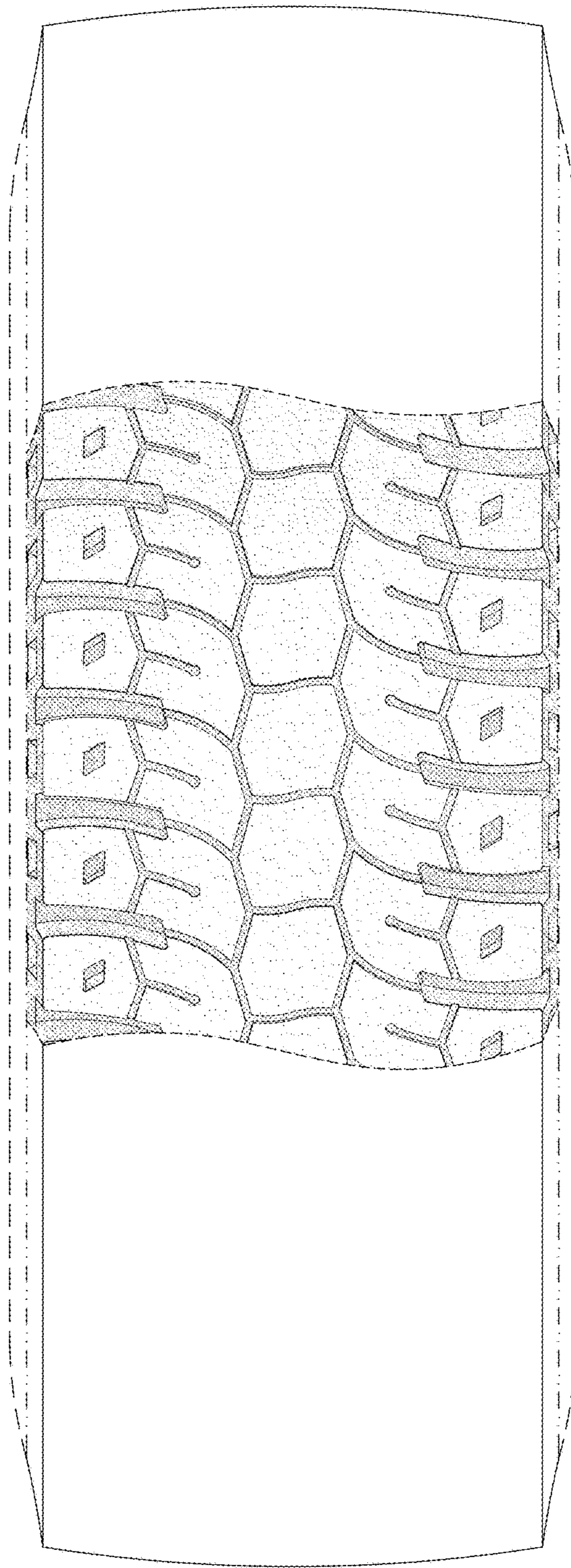


FIG. 2

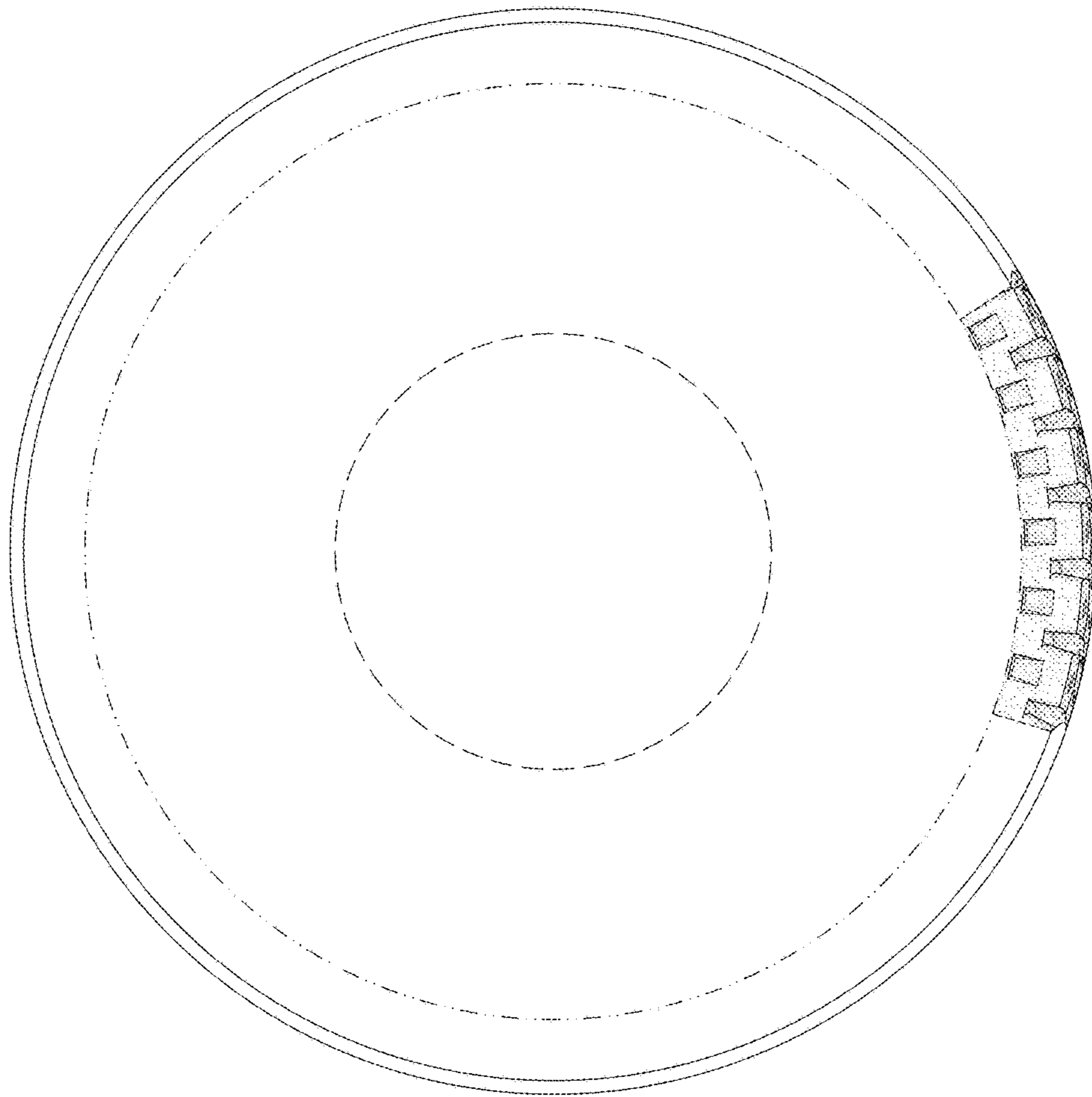


FIG. 3

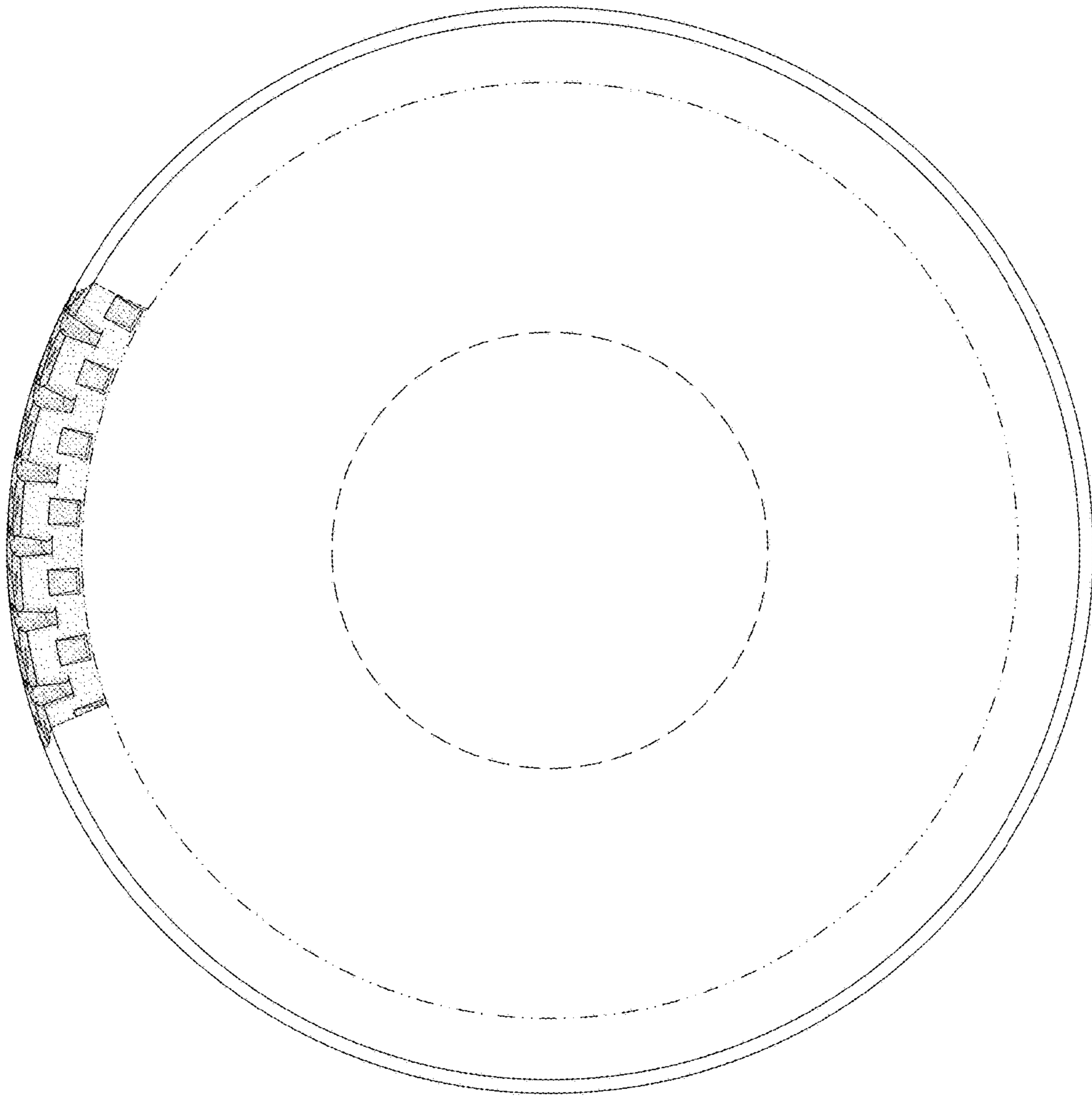


FIG. 4

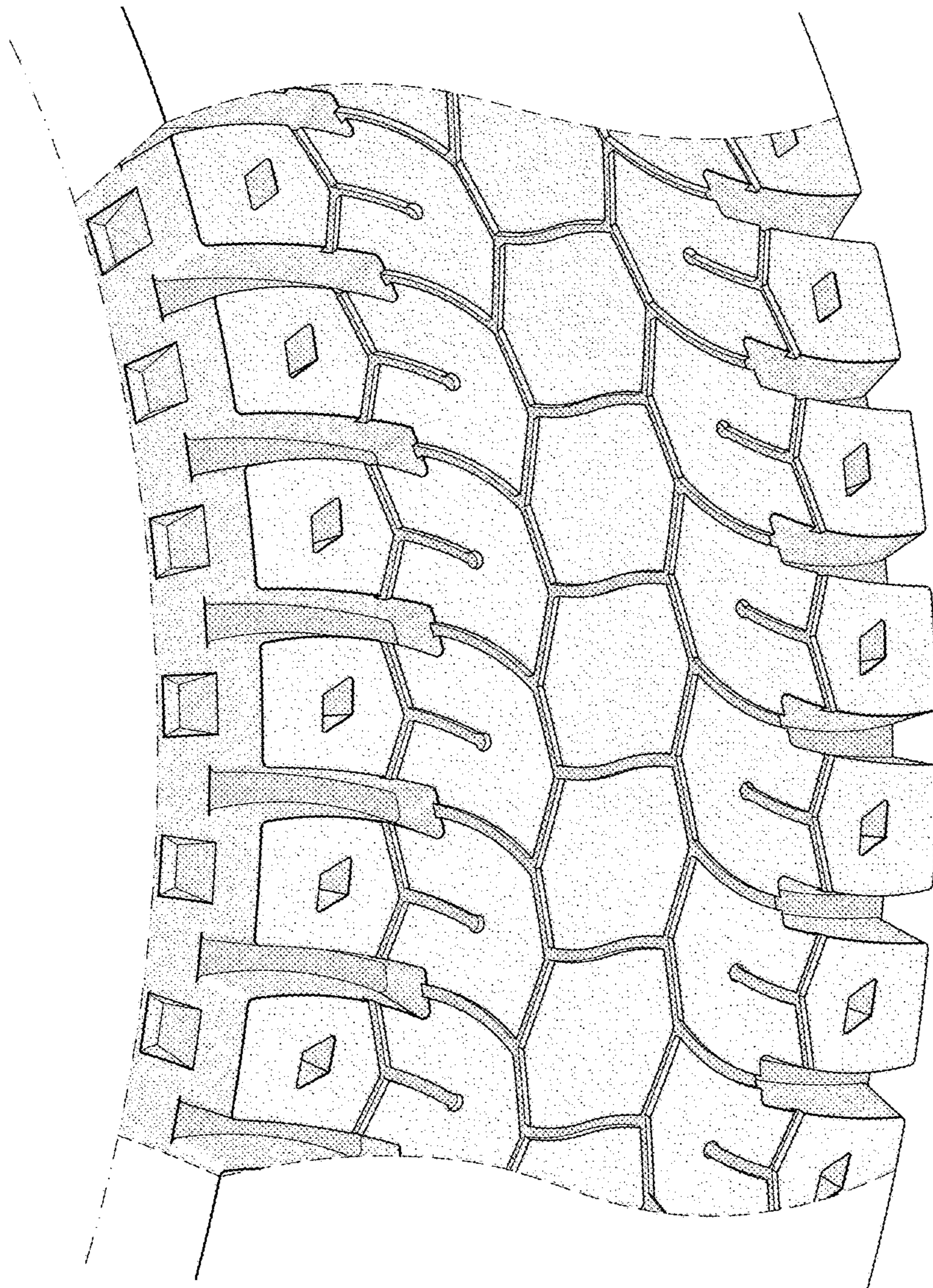


FIG. 5