



US00D782402S

(12) **United States Design Patent**  
**Kline et al.**

(10) **Patent No.:** **US D782,402 S**  
(45) **Date of Patent:** **\*\* Mar. 28, 2017**

- (54) **TIRE**
- (71) Applicant: **Maxam Tire North America**, Danvers, MA (US)
- (72) Inventors: **Troy Kline**, Peabody, MA (US);  
**Matthew Fagan**, Quincy, MA (US)
- (73) Assignee: **Maxam Tire North America Inc.**, Danvers, MA (US)

D615,920 S 5/2010 Kline  
 D631,821 S 2/2011 Kline  
 D727,837 S \* 4/2015 Ferlin ..... D12/579

(\*\*) Term: **15 Years**  
 (21) Appl. No.: **29/535,547**

- (22) Filed: **Aug. 7, 2015**
- (51) **LOC (10) Cl.** ..... **12-15**
- (52) **U.S. Cl.**  
USPC ..... **D12/593**; D12/598
- (58) **Field of Classification Search**  
USPC ..... D12/568-604, 900  
CPC ..... B60C 1/0016; B60C 11/0306; B60C 11/0302; B60C 3/06; B60C 9/17  
See application file for complete search history.

(56) **References Cited**  
**U.S. PATENT DOCUMENTS**

57,363	A	3/1921	Lambert	
1,395,576	A	11/1921	Jennings	
1,524,718	A	2/1925	Leach	
3,770,038	A	* 11/1973	Wolfe	..... B60C 11/0311 152/209.12
5,343,916	A	9/1994	Duddey	
D401,896	S	* 12/1998	Chandler	..... D12/501
D450,020	S	* 11/2001	Takagi	..... D12/579
D452,463	S	* 12/2001	Warchol	..... D12/595
D498,203	S	* 11/2004	Shapiro	..... D12/501
D499,065	S	* 11/2004	Shapiro	..... D12/501
6,845,796	B2	1/2005	Katoh	

**OTHER PUBLICATIONS**

Maxam MS708TR Tire found online [Jun. 3, 2016] [http://www.maxamtire.com/products/otr/MS708\\_TR/](http://www.maxamtire.com/products/otr/MS708_TR/).  
 \*  
 Undated prior art tire brochure/photo—Crocodile.  
 Undated prior art tire brochure/photo—GPX tire.  
 Undated prior art tire brochure/photo—GPX-2.  
 Undated prior art tire brochure/photo—McLaren.  
 Undated prior art tire brochure/photo—Setco.  
 Undated prior art tire brochure/photo—SG-Revolution.  
 Undated prior art tire brochure/photo—Solideal.  
 Undated prior art tire brochure/photo—Ty-Cushion.  
 Design U.S. Appl. No. 29/535,544, filed Aug. 7, 2015.  
 Design U.S. Appl. No. 29/535,545, filed Aug. 7, 2015.  
 Design U.S. Appl. No. 29/535,548, filed Aug. 7, 2015.

\* cited by examiner

*Primary Examiner* — Robert M Spear  
*Assistant Examiner* — John Voytek

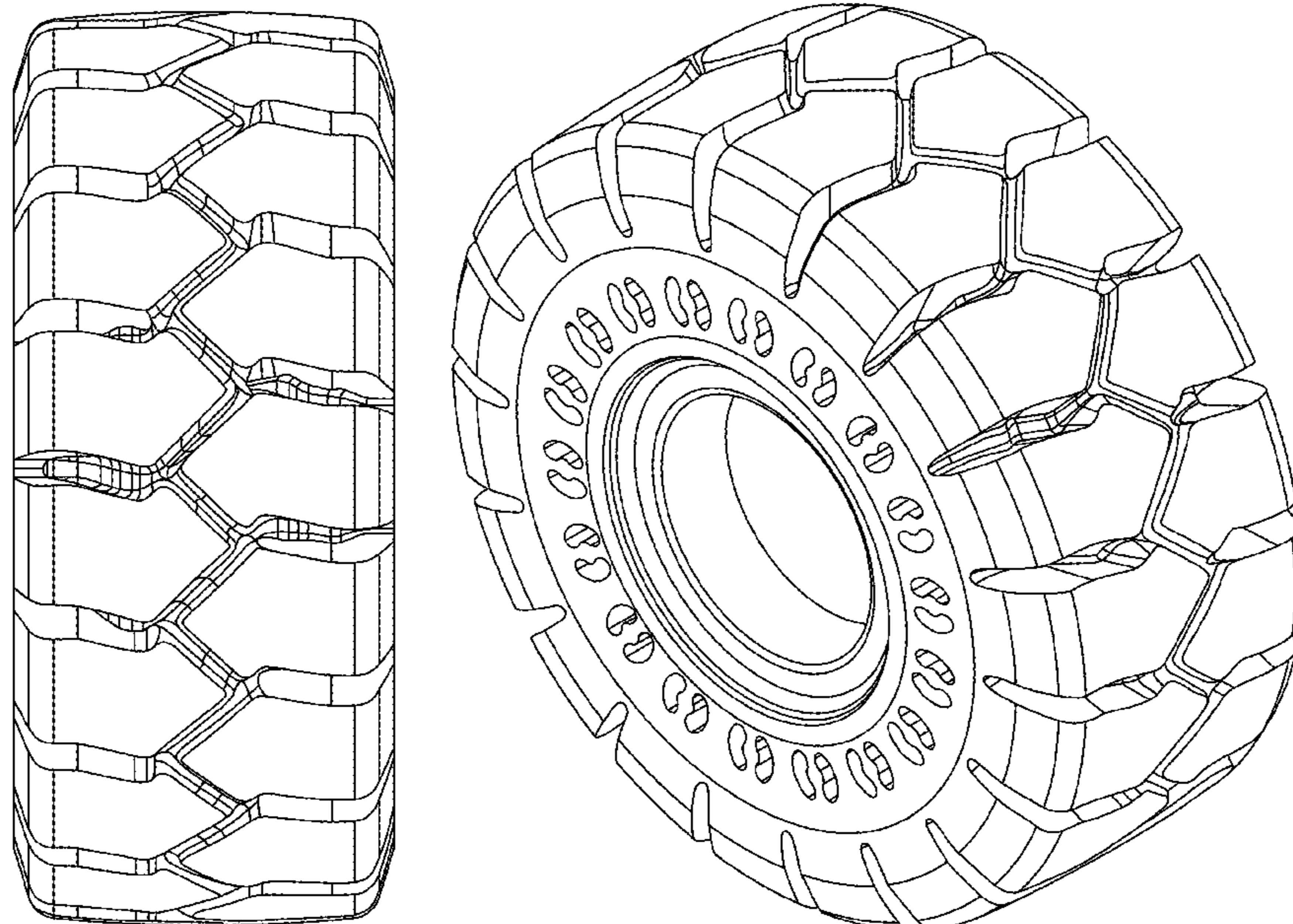
(57) **CLAIM**

The ornamental design for a tire, as shown and described.

**DESCRIPTION**

FIG. 1 is a first side view of the tire;  
 FIG. 2 is a front view of the tire, the back view of the tire being identical thereto;  
 FIG. 3 is a second side view of the tire, opposite the first side of FIG. 1; and,  
 FIG. 4 is a perspective view of the tire.

**1 Claim, 4 Drawing Sheets**



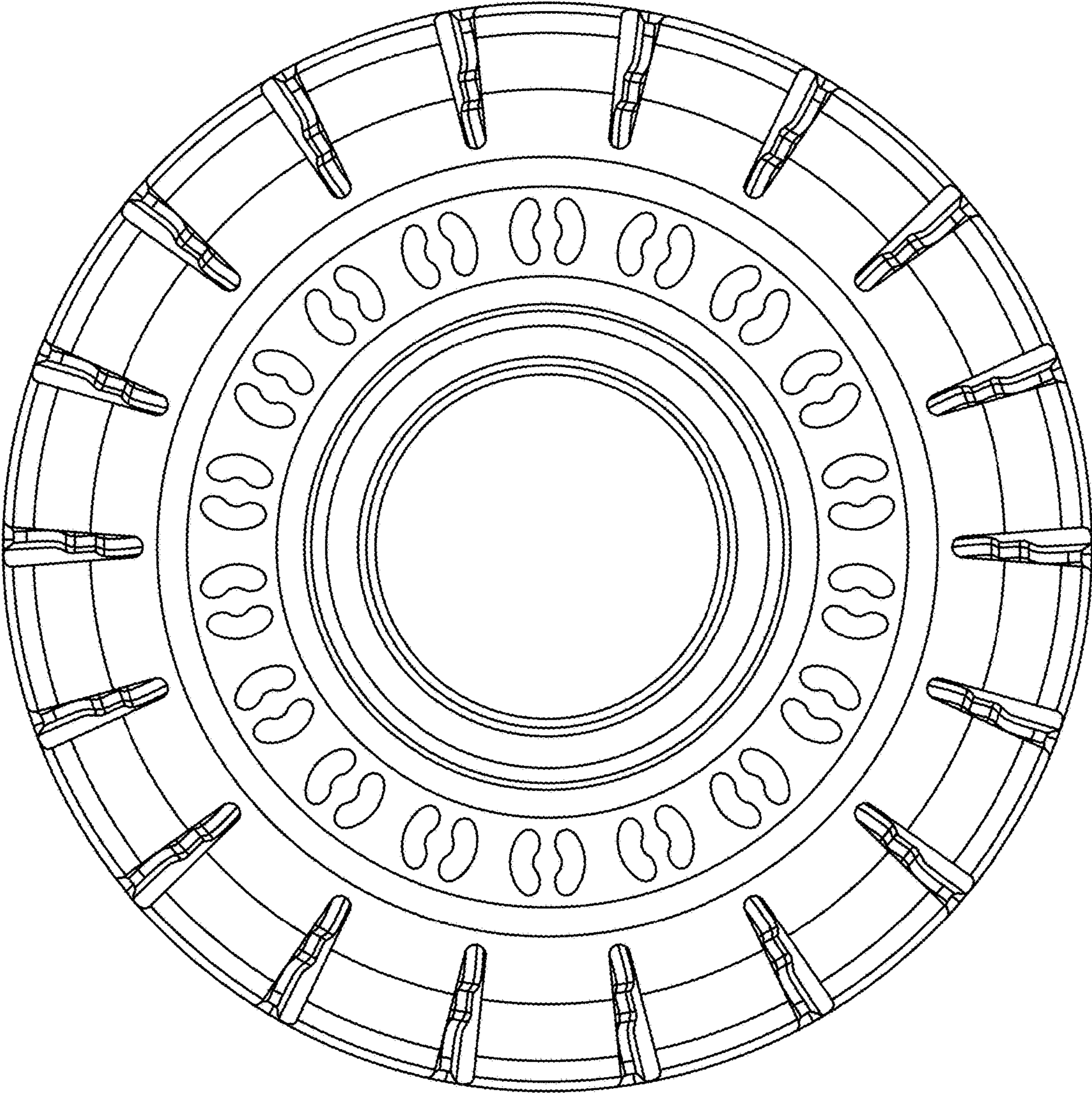


FIG. 1

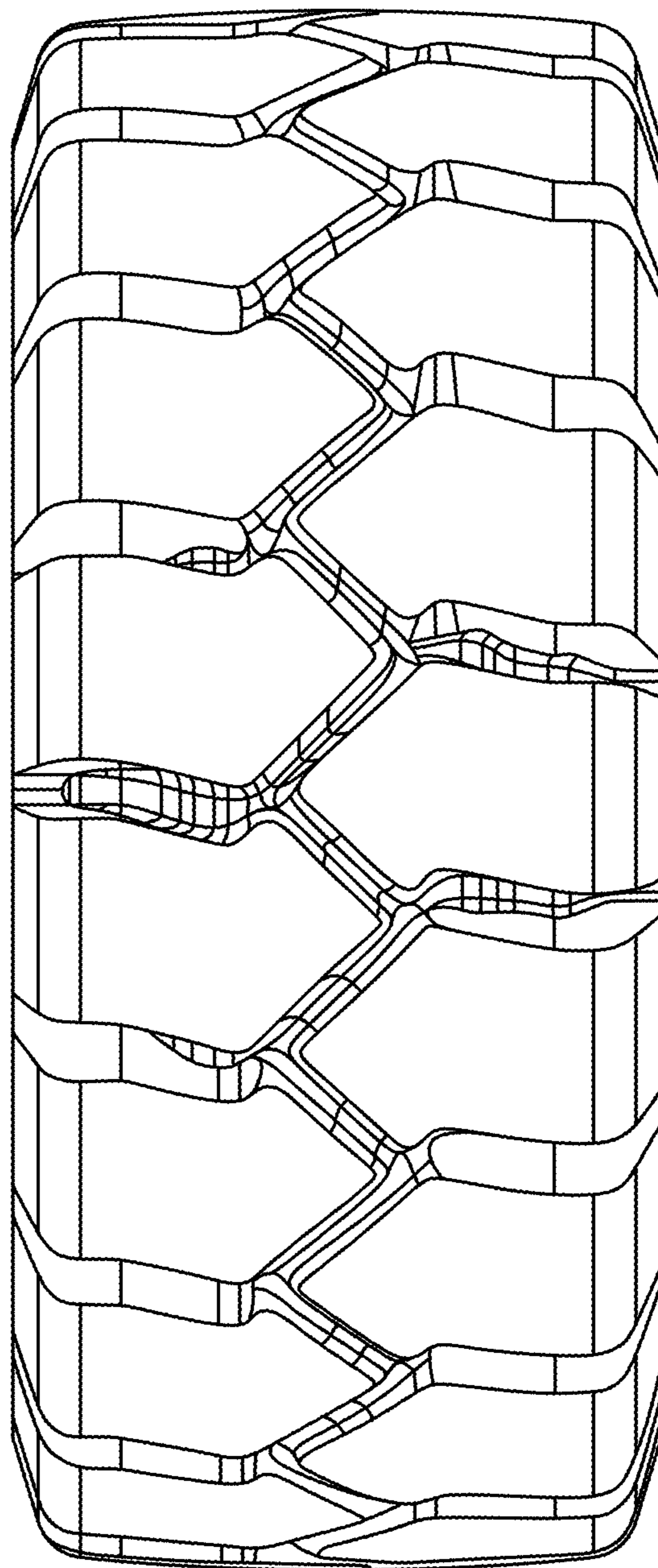


FIG. 2

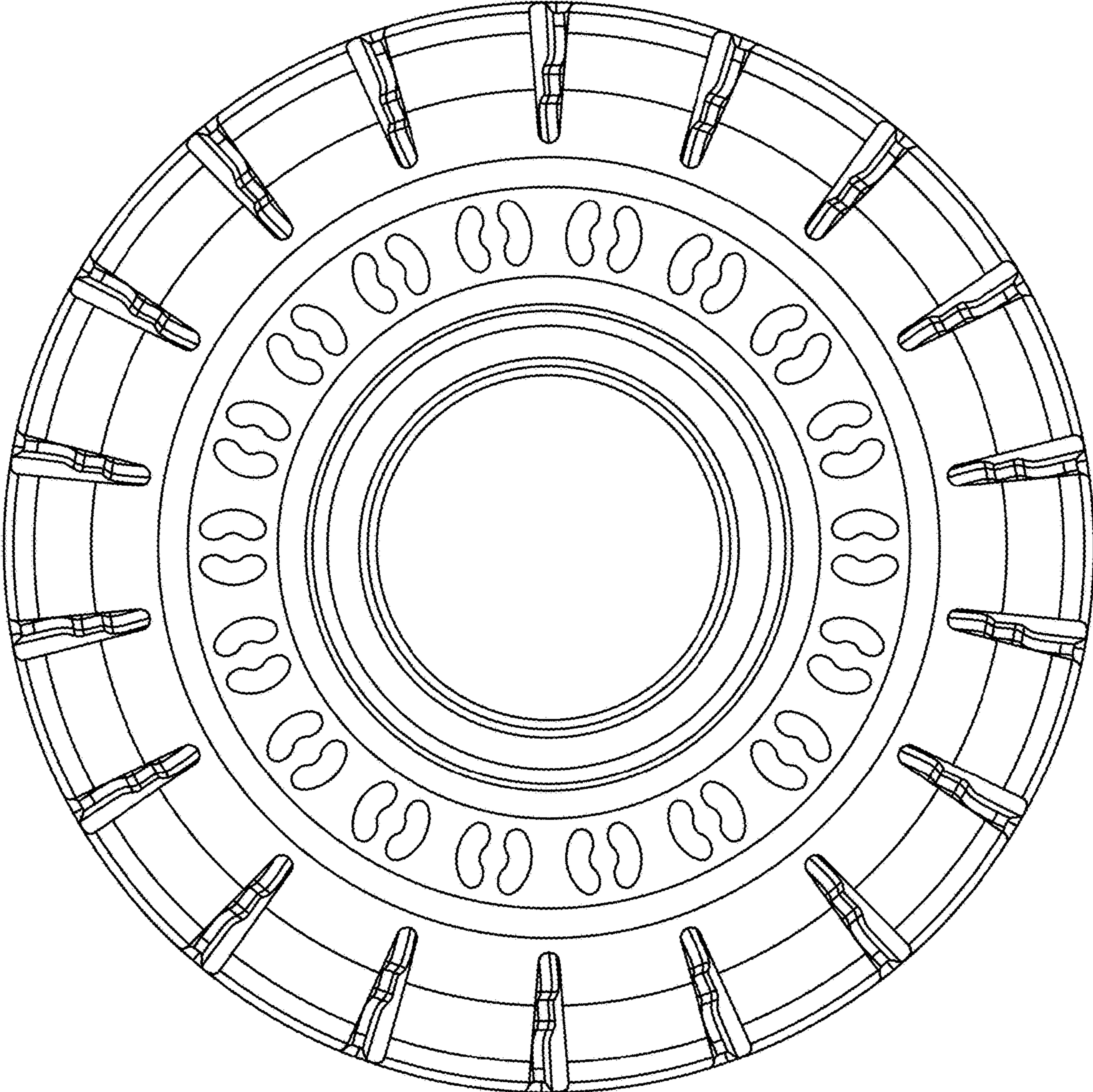


FIG. 3

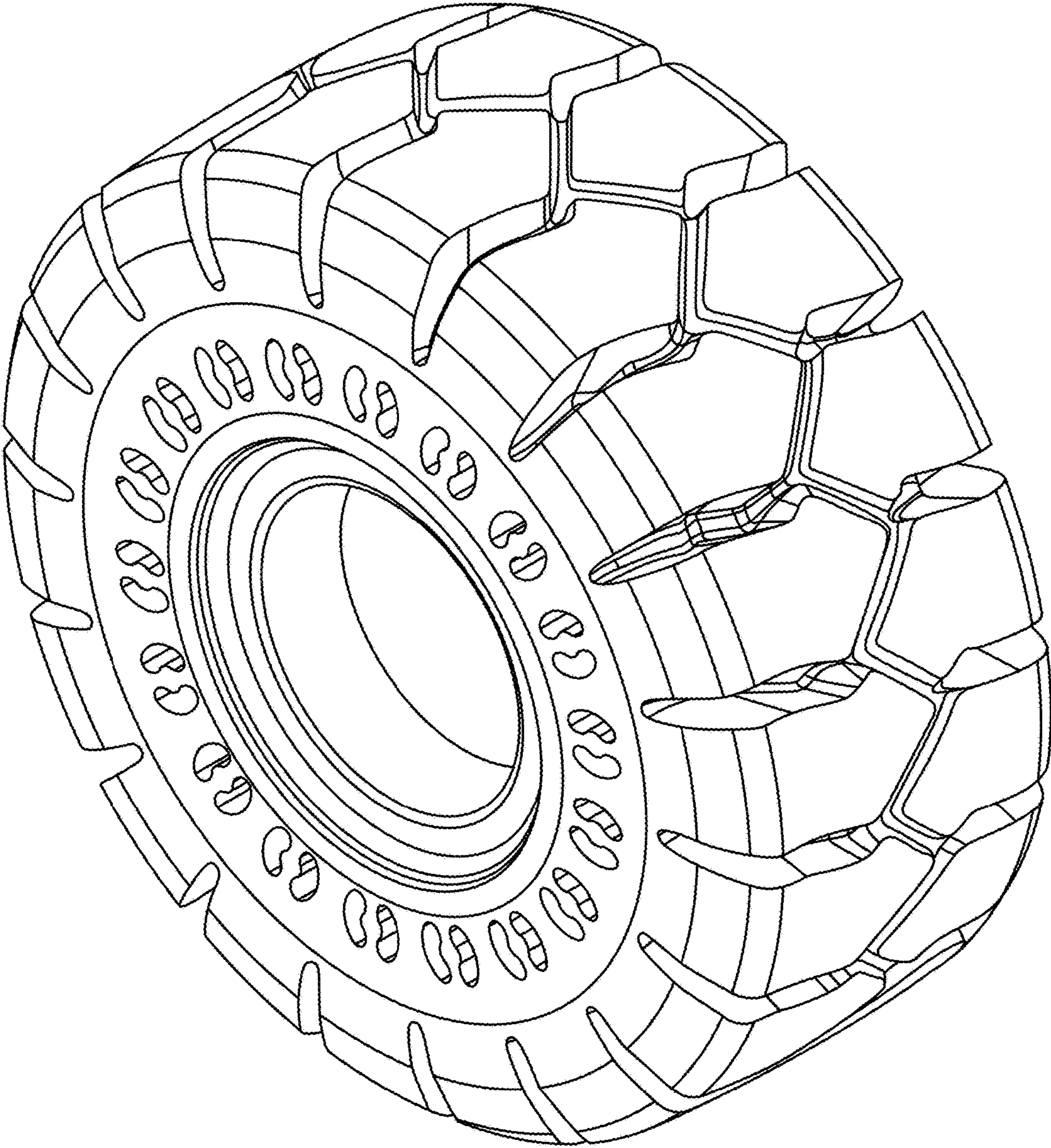


FIG. 4