



US00D782396S

(12) **United States Design Patent**
Whyte

(10) **Patent No.:** **US D782,396 S**

(45) **Date of Patent:** **** Mar. 28, 2017**

- (54) **TIRE**
- (71) Applicant: **Silverstone, Inc.**, Omaha, NE (US)
- (72) Inventor: **Tom Whyte**, Omaha, NE (US)
- (73) Assignee: **Silverstone, Inc.**, Omaha, NE (US)
- (**) Term: **14 Years**
- (21) Appl. No.: **29/500,549**
- (22) Filed: **Aug. 26, 2014**
- (51) **LOC (10) Cl.** **12-15**
- (52) **U.S. Cl.**
USPC **D12/539**
- (58) **Field of Classification Search**
USPC D12/509, 533-603; 152/209.18, 209.25,
152/209.1
CPC . B60C 11/03; B60C 11/0302; B60C 11/1218;
B60C 11/1369; B60C 11/1376; B60C
2011/0341; B60C 2011/0346; B60C
2011/0348; B60C 2200/14
See application file for complete search history.

- 4,667,718 A * 5/1987 Fontaine B60C 11/0318
152/209.18
- 5,203,933 A * 4/1993 Nagahisa B60C 11/032
152/209.15
- D425,456 S * 5/2000 Wuesthoff D12/533
- 8,955,564 B2 * 2/2015 Ochi B60C 11/11
152/209.1

* cited by examiner

Primary Examiner — Cathron Brooks

Assistant Examiner — Aula Soroush

(74) *Attorney, Agent, or Firm* — Thomas | Horstemeyer,
LLP

(57) **CLAIM**

The ornamental design for a tire, as shown and described.

DESCRIPTION

FIG. 1 is a side perspective view of tire showing my new design;
 FIG. 2 is a front elevational view thereof;
 FIG. 3 is another side perspective view thereof;
 FIG. 4 is a right side elevational view thereof;
 FIG. 5 is a left side elevational view thereof; and,
 FIG. 6 is an enlarged view thereof, showing a section of the tire in FIG. 2.

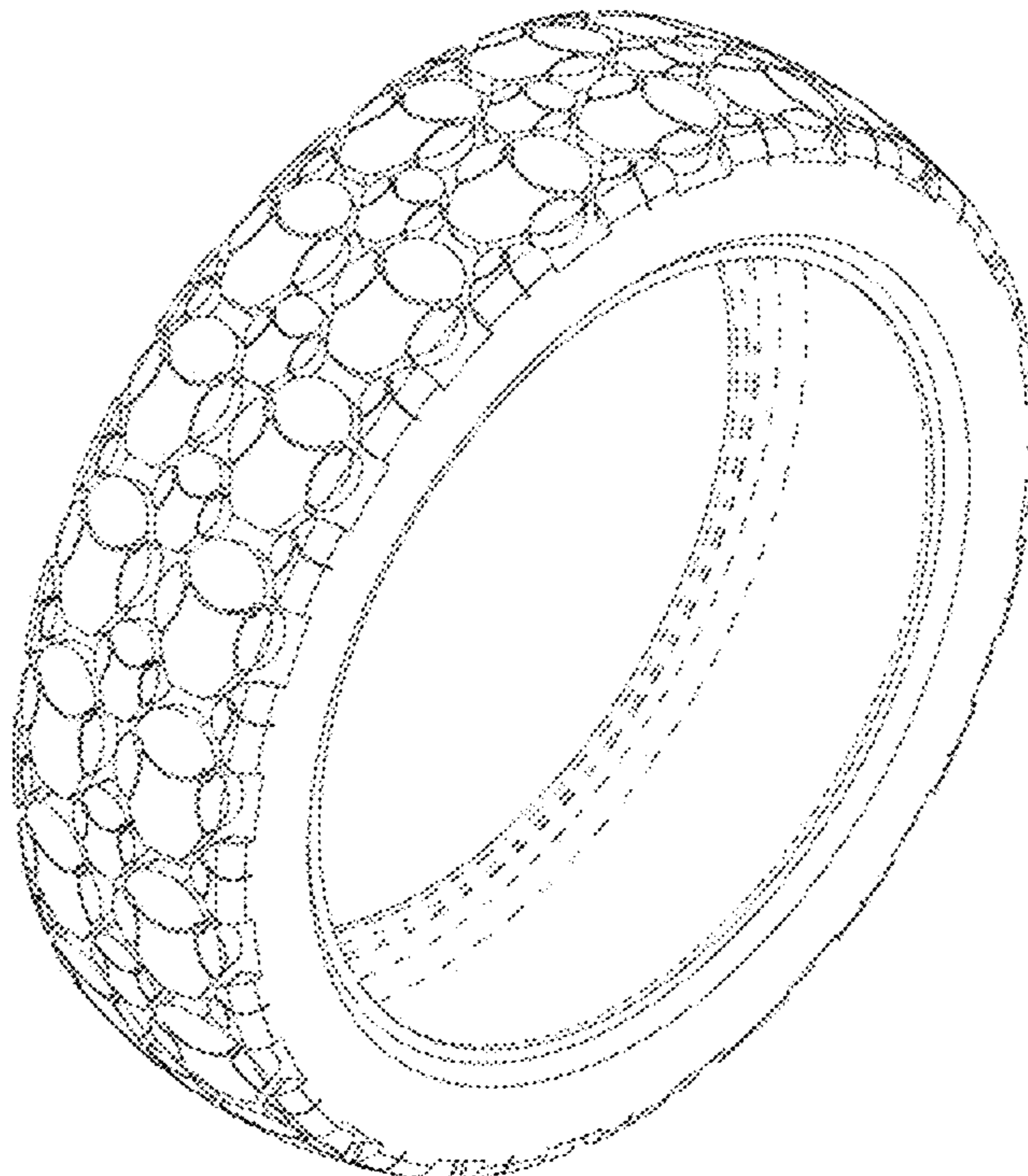
The broken lines illustrate portions of the tire that form no part of the claimed design. Additionally, the areas between the broken lines form no part of the claimed design.

(56) **References Cited**

U.S. PATENT DOCUMENTS

- D49,535 S * 8/1916 Boyd D12/541
- D52,329 S * 8/1918 Leab D12/541
- D63,251 S * 11/1923 Broadwell 152/209.22
- D64,950 S * 6/1924 Broadwell D12/541
- D67,082 S * 4/1925 Gruber D12/539
- D108,714 S * 3/1938 Ellis D12/539

1 Claim, 6 Drawing Sheets



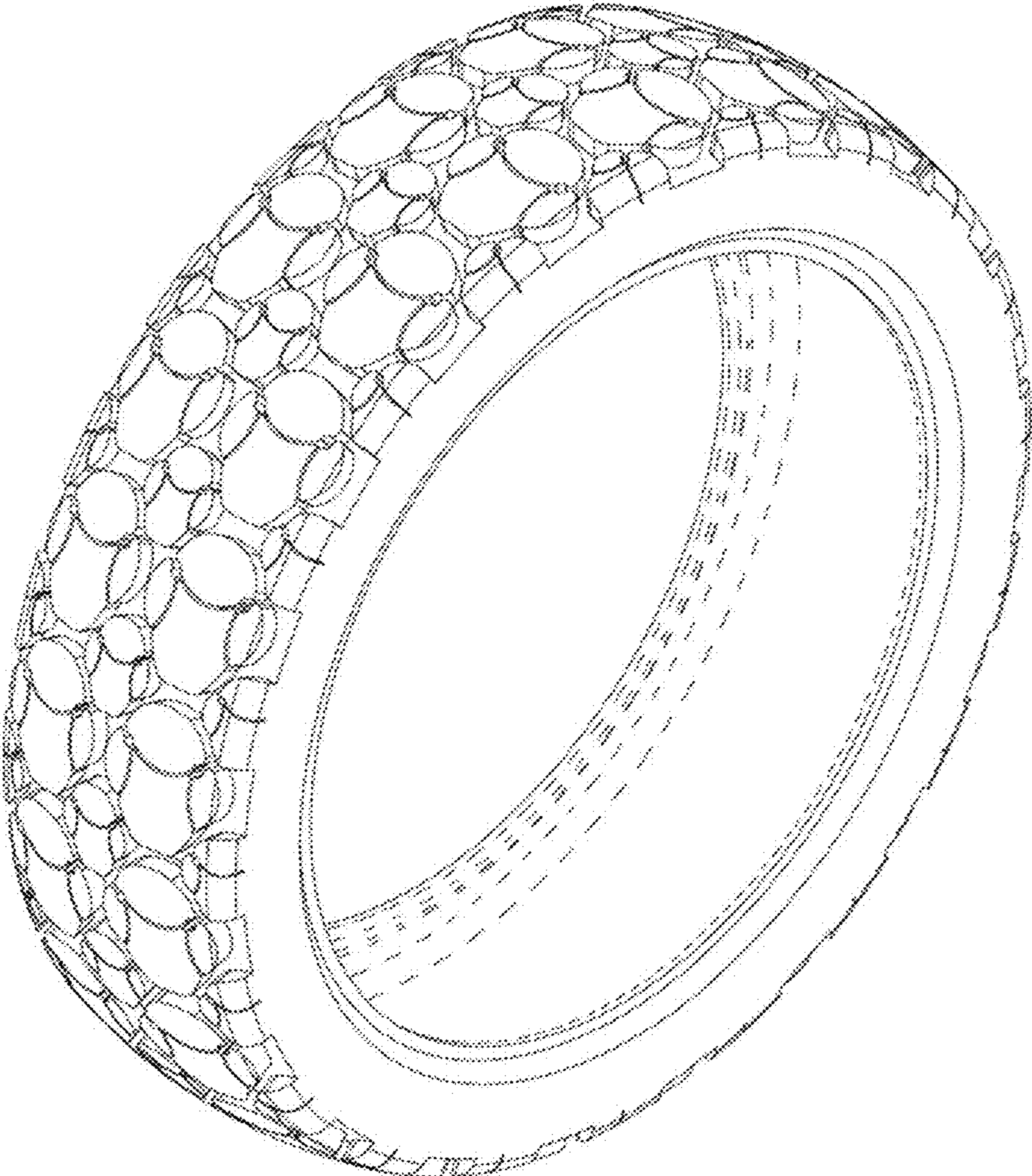


FIG. 1

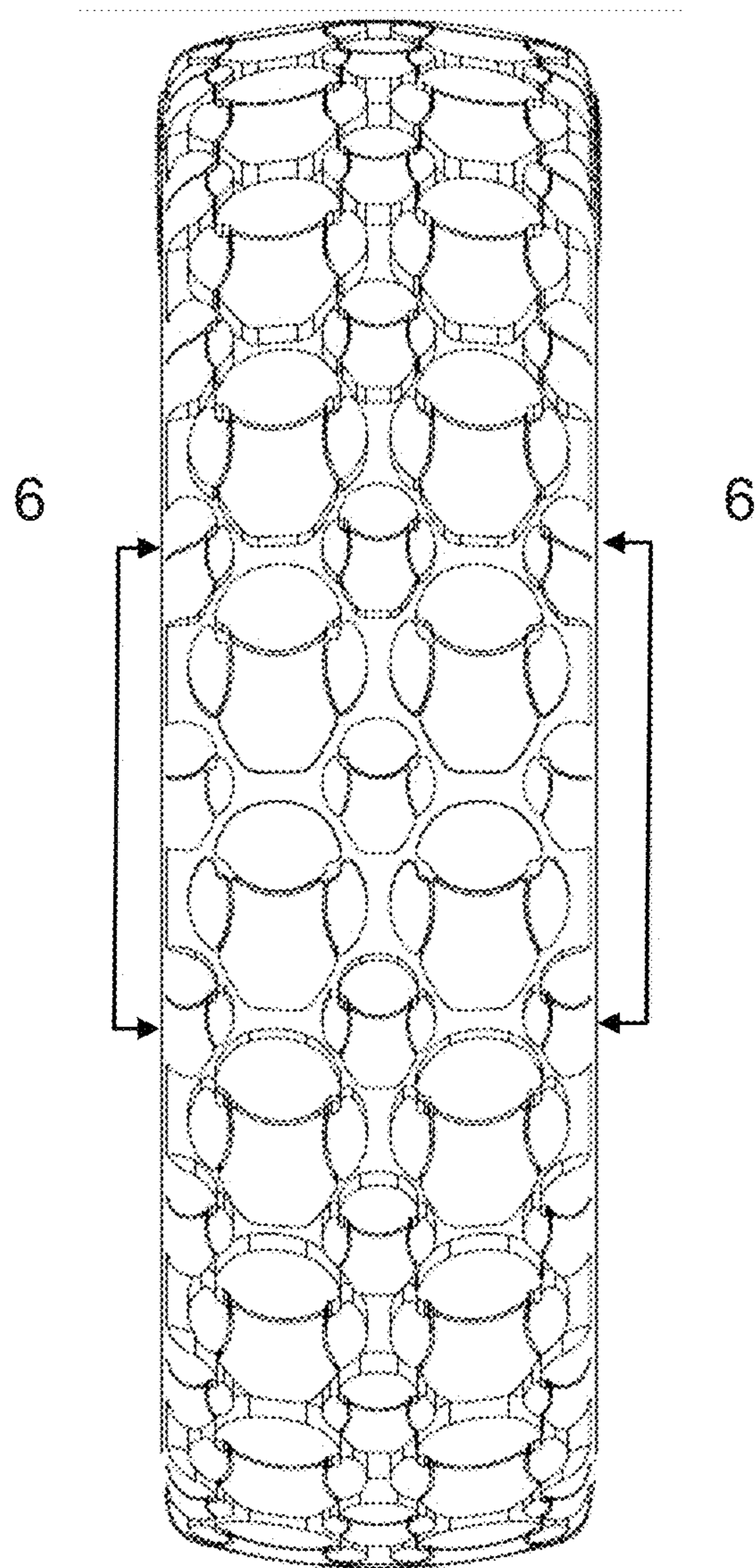


FIG. 2

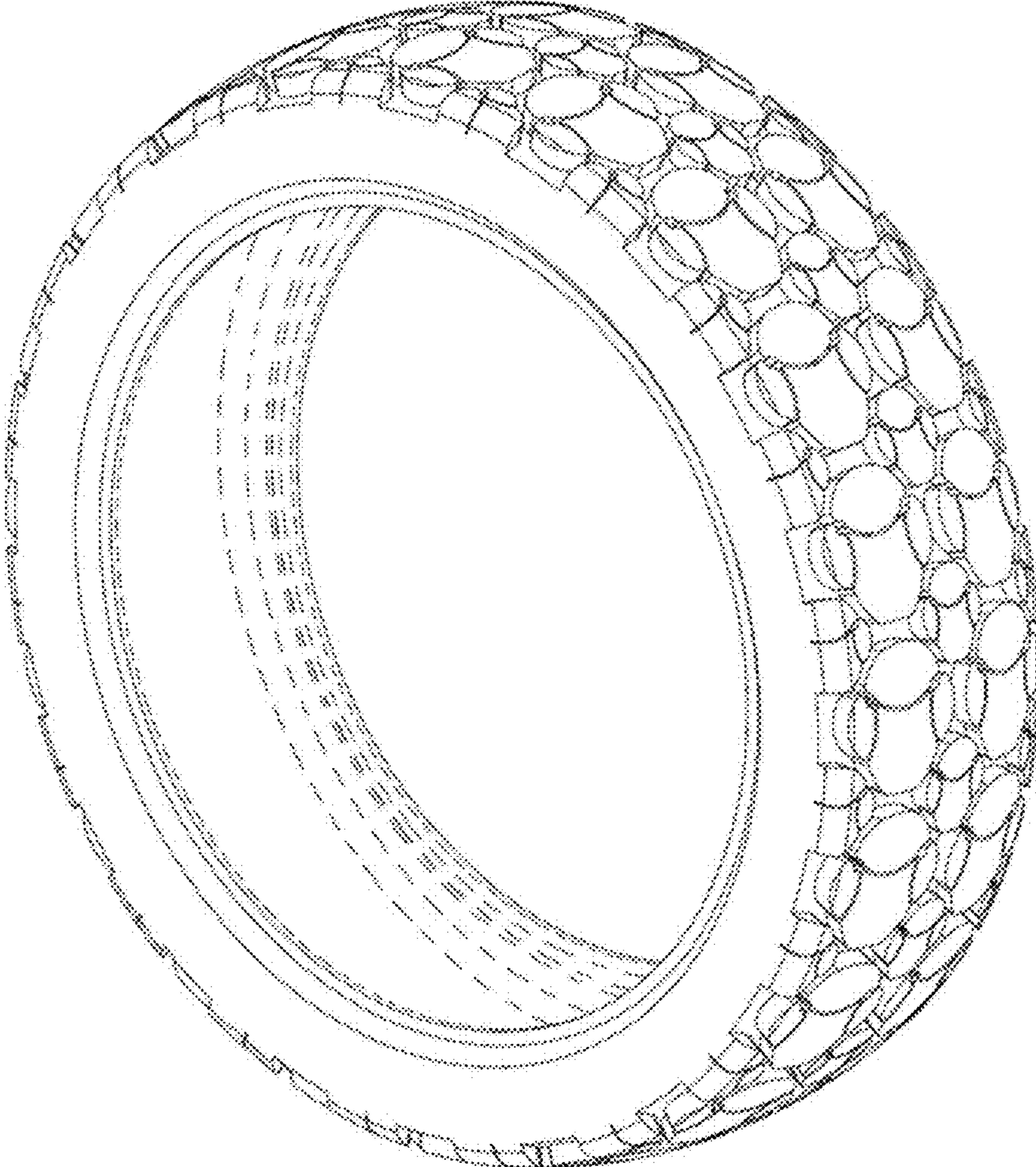


FIG. 3

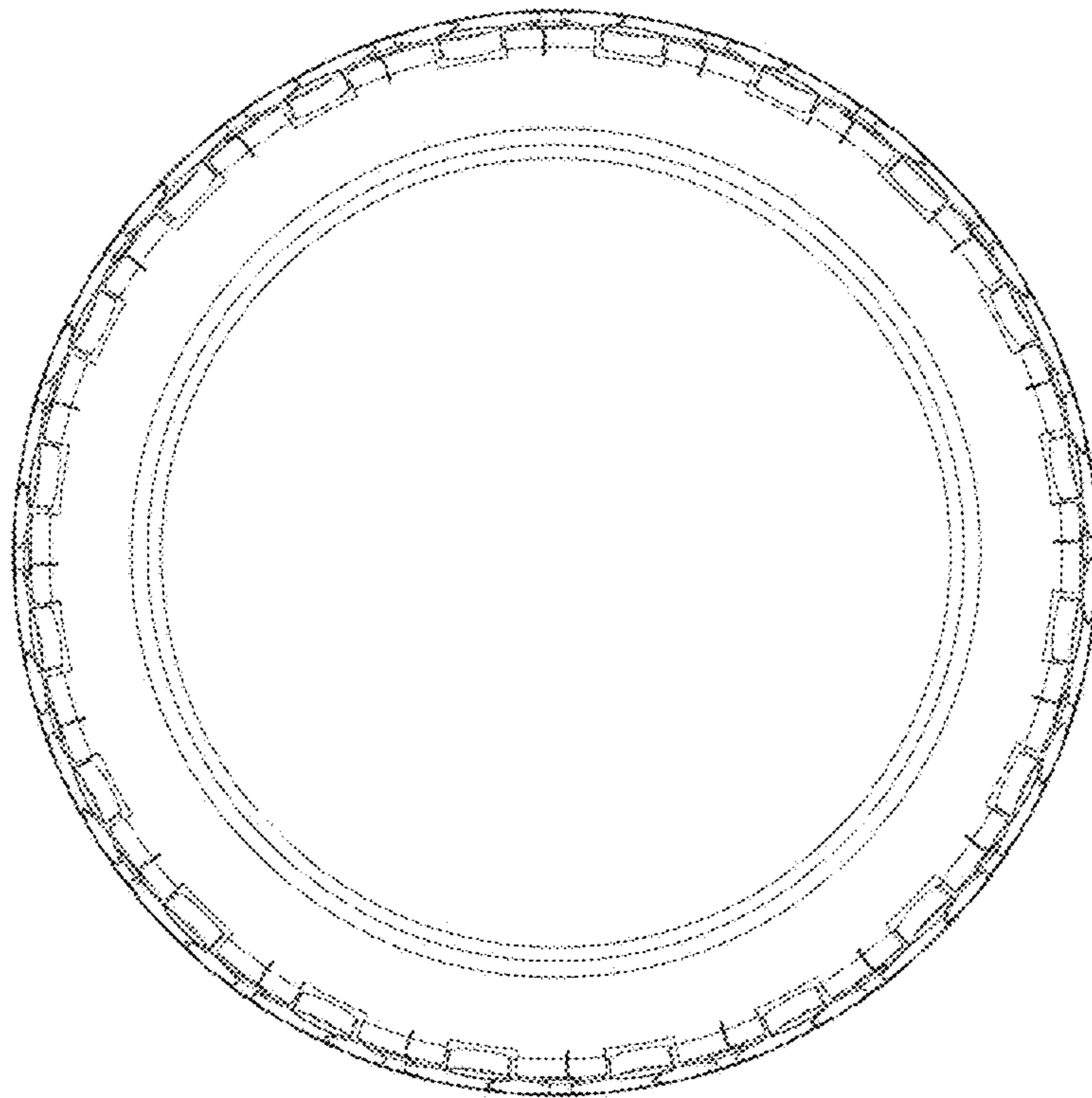


FIG. 4

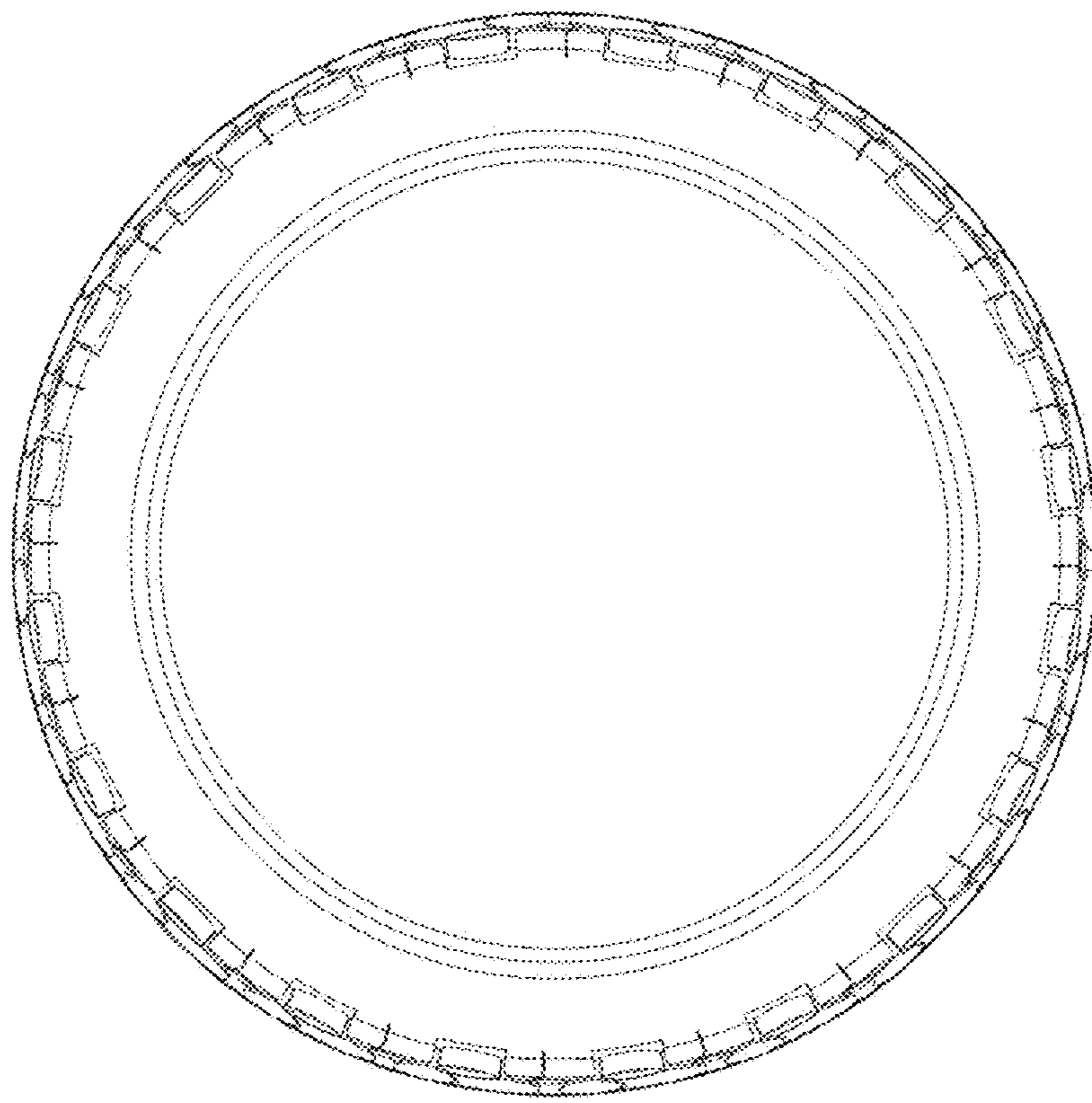


FIG. 5

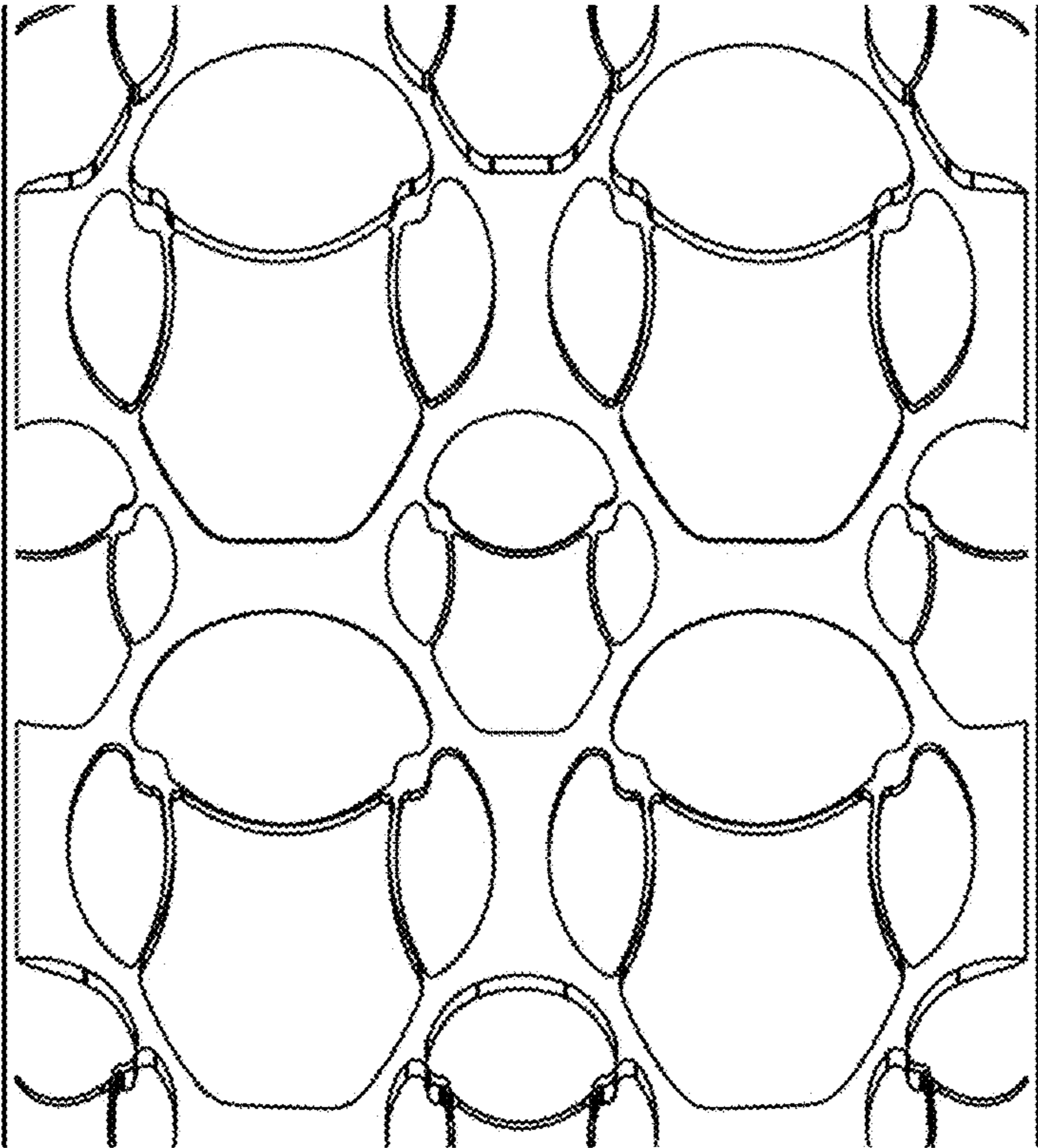


FIG. 6