



US00D782390S

(12) **United States Design Patent** (10) **Patent No.:** **US D782,390 S**
Chang et al. (45) **Date of Patent:** **** Mar. 28, 2017**

(54) **CHAIR REST SEPARATION APPARATUS**

(71) Applicants: **Grace Chang**, Arlington, TX (US);
Arthur Chang, Arlington, TX (US)

(72) Inventors: **Grace Chang**, Arlington, TX (US);
Arthur Chang, Arlington, TX (US)

(**) Term: **14 Years**

(21) Appl. No.: **29/525,789**

(22) Filed: **May 2, 2015**

(51) **LOC (10) Cl.** **12-16**

(52) **U.S. Cl.**
USPC **D12/416**

(58) **Field of Classification Search**
USPC D12/415-420, 400, 191, 106, 195, 345,
D12/96, 99
CPC B60R 7/08; B60R 7/04
See application file for complete search history.

(56) **References Cited**

U.S. PATENT DOCUMENTS

3,233,563	A *	2/1966	Mauchline	B60N 3/002 108/135
D338,780	S *	8/1993	Rance	D12/416
D346,066	S *	4/1994	Smith	D12/416
D365,820	S *	1/1996	Bentley	D12/416
6,652,024	B2 *	11/2003	Prasatek	B60N 2/462 297/188.08
D685,718	S *	7/2013	Williams	D12/416
9,174,561	B1 *	11/2015	Ferlisi Wilson	B60N 3/00

* cited by examiner

Primary Examiner — Katrina A Betton
(74) *Attorney, Agent, or Firm* — Warren V. Norred;
Norred Law, PLLC.

(57) **CLAIM**

The ornamental design for a chair rest separation apparatus, as shown and described.

DESCRIPTION

FIG. 1 is a bottom view of the open invention.
FIG. 2 is a perspective view of the open invention shown mounted.
FIG. 3 is a front elevation view of the closed invention.
FIG. 4 is a front elevation view of the open invention.
FIG. 5 is a perspective front view of the open invention, shown mounted.
FIG. 6 is a side perspective view of the closed invention.
FIG. 7 is a side perspective view of the invention, mounted in an alternative manner; and,
FIG. 8 is a rear perspective view of the open invention, mounted for display.
The invention has an “open” and a “closed” position. Shown in FIG. 4, the open position is the position in which the invention is unfolded so the flaps on its bottom can clasp an armrest. In the closed position, best seen in FIG. 3, the invention folds flat. The invention is used in the open position, and stored in the closed position.

1 Claim, 8 Drawing Sheets

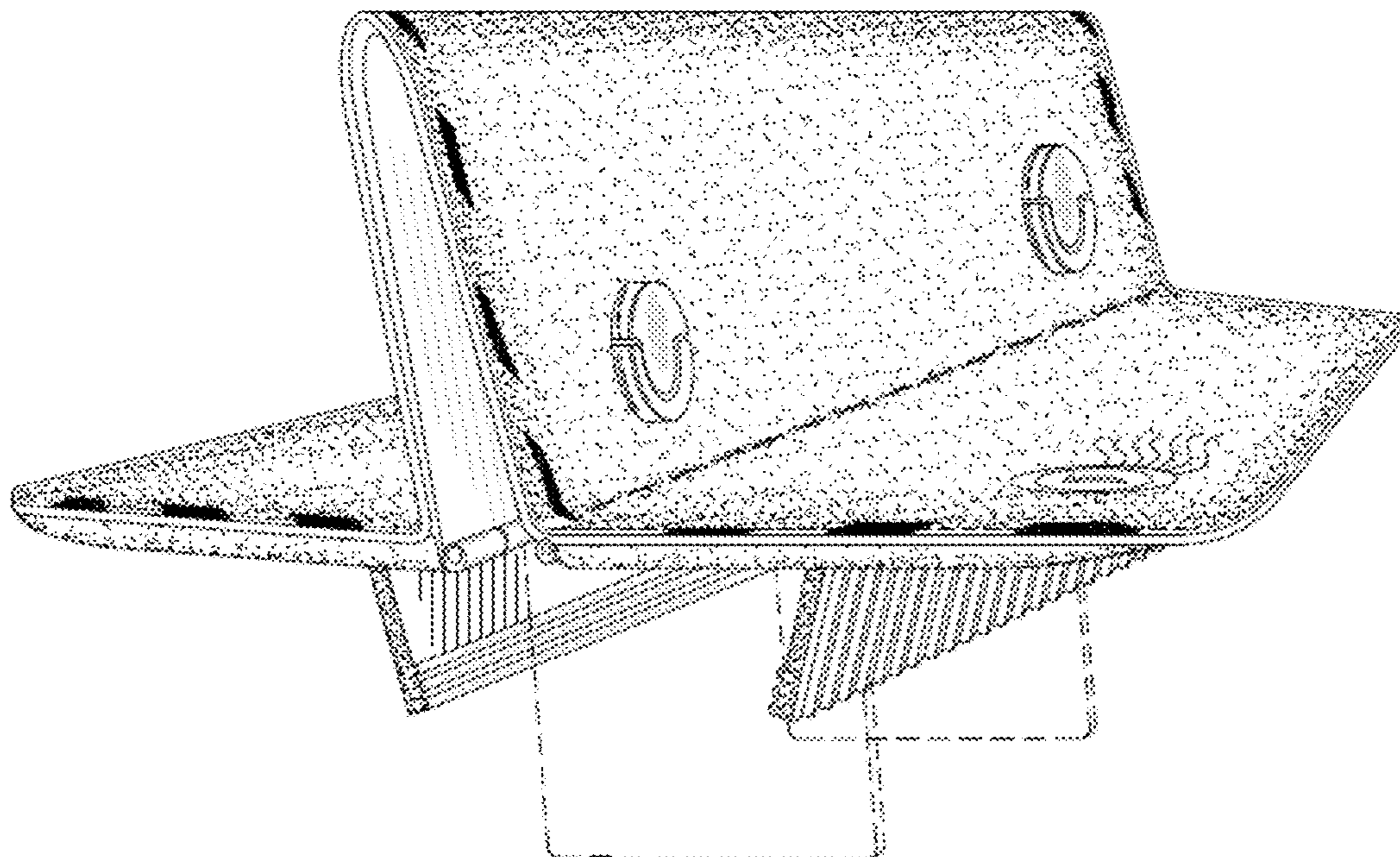


FIG. 1

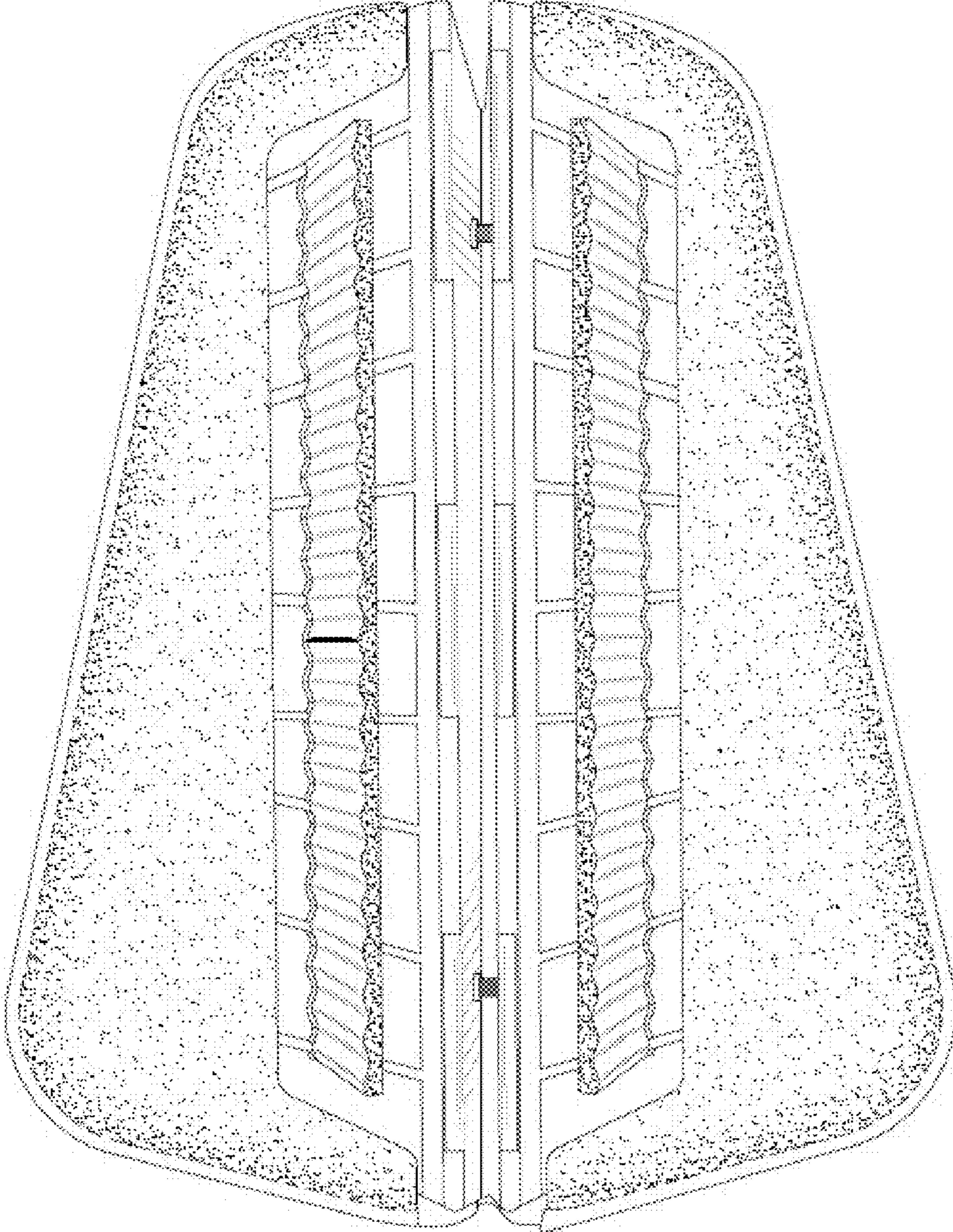


FIG. 2

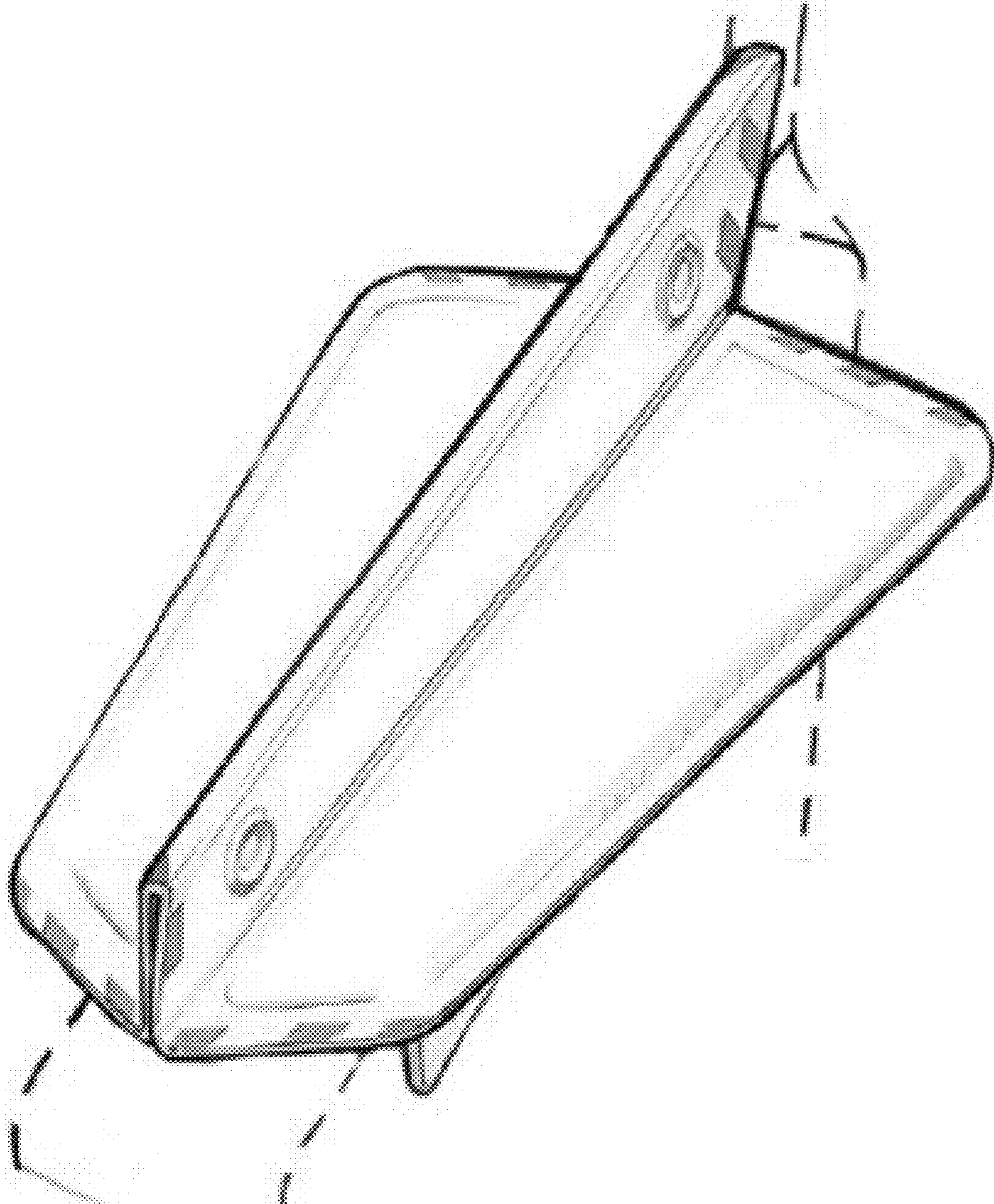


FIG. 3

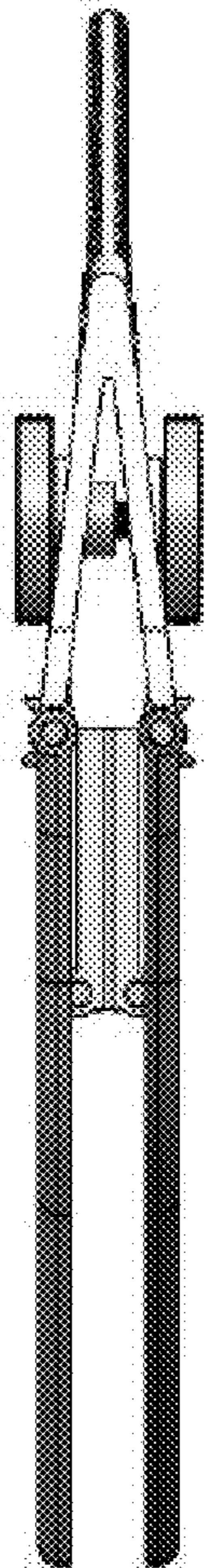


FIG. 4

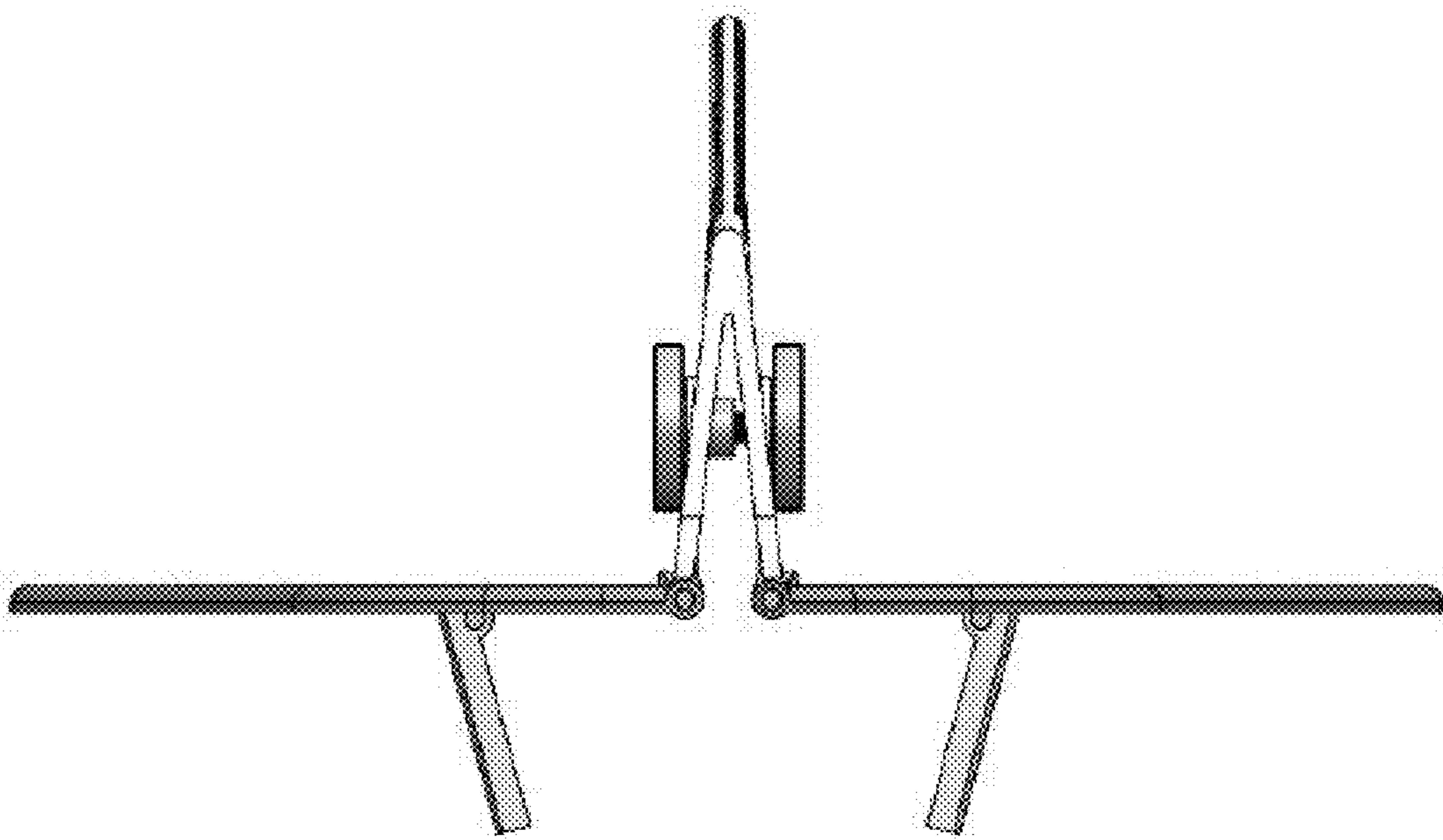


FIG. 5

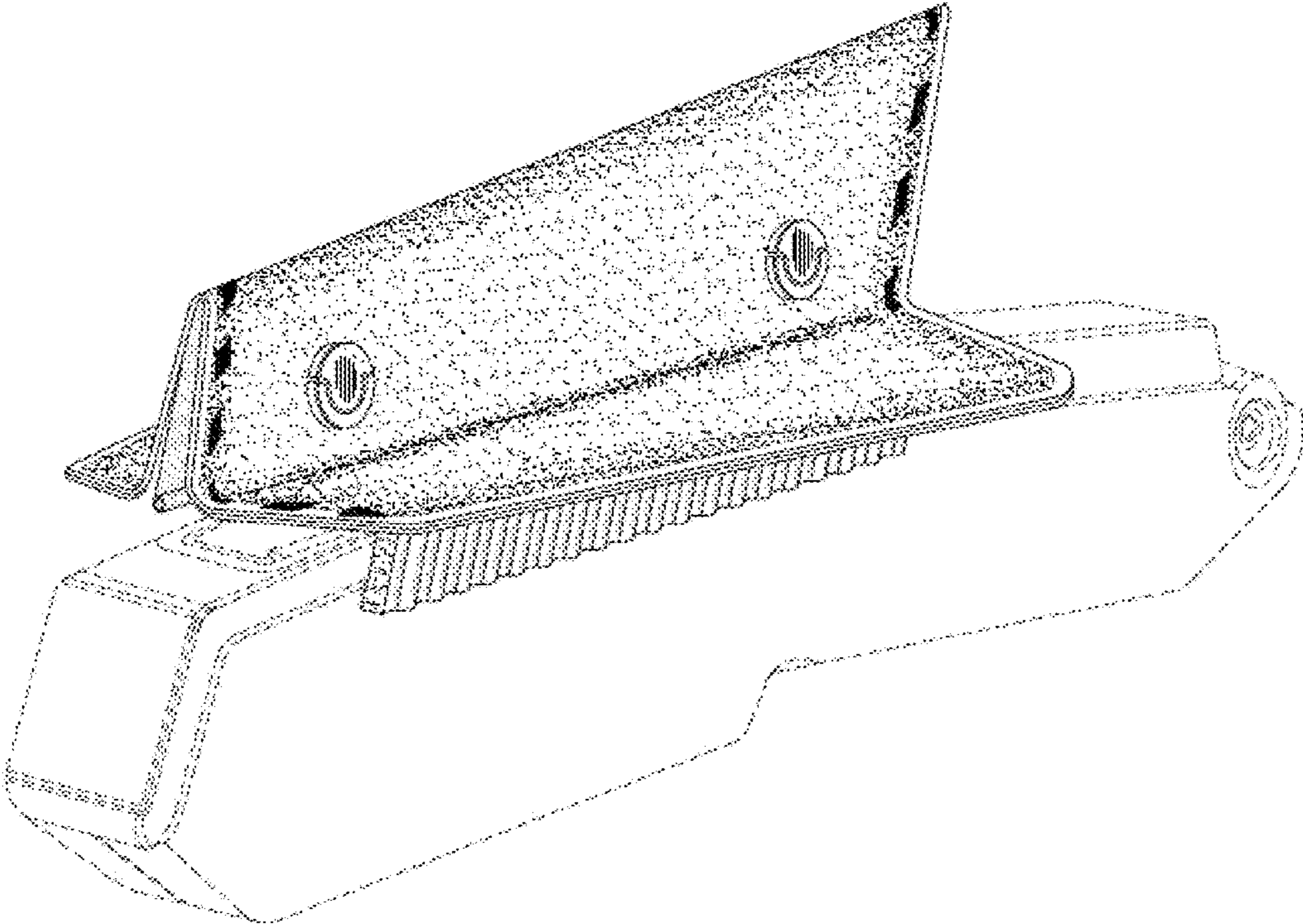


FIG. 6

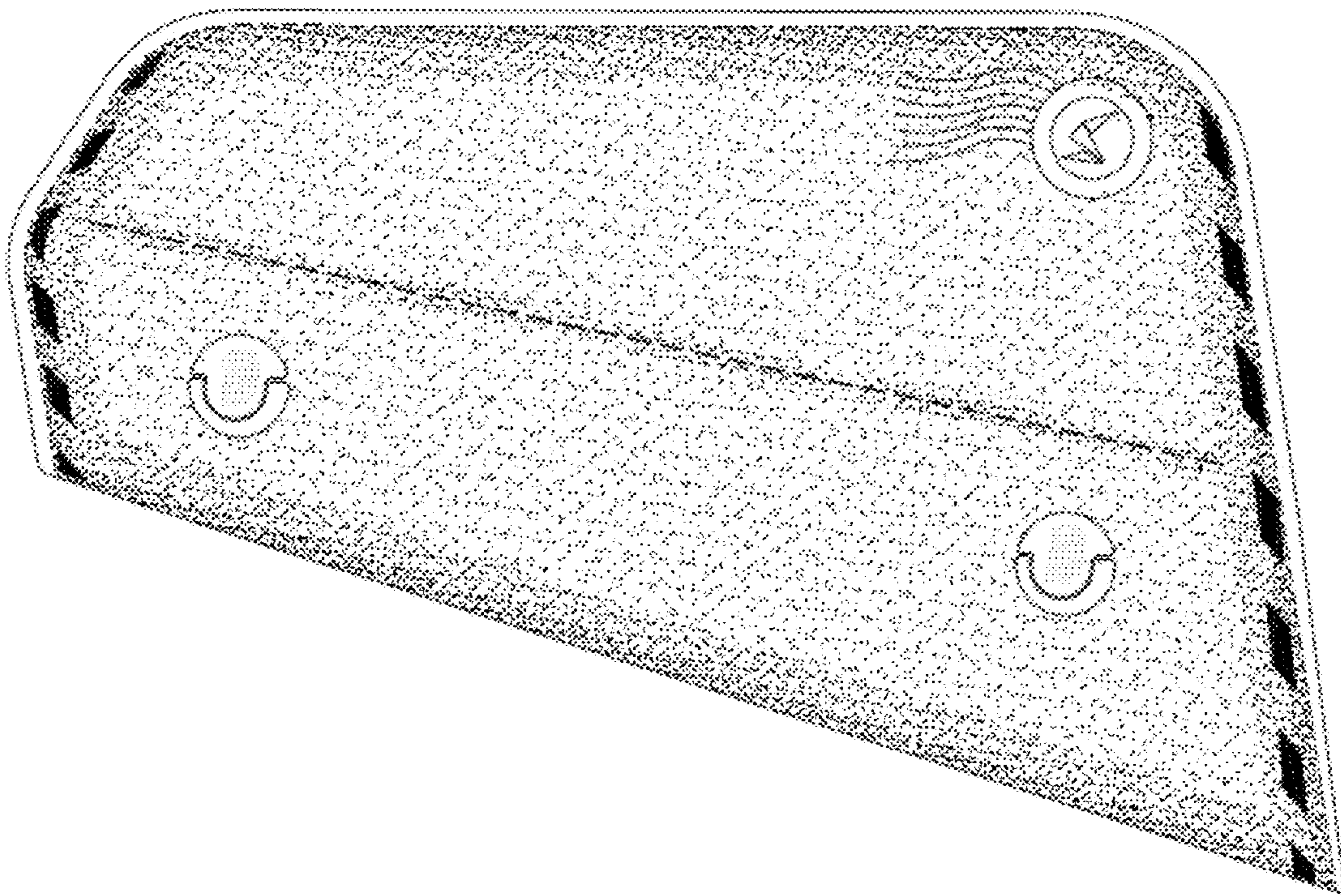


FIG. 7

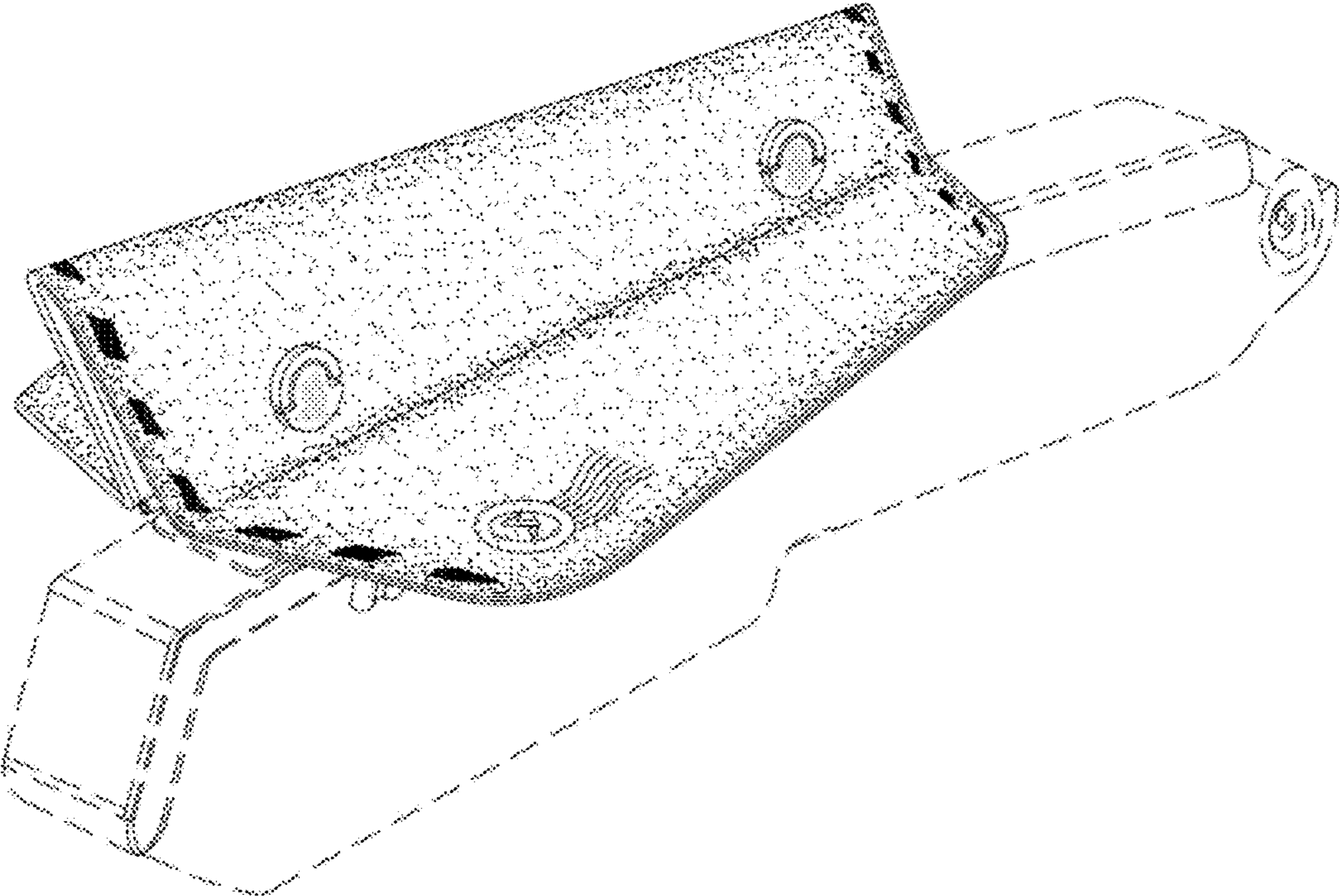


FIG. 8

