



US00D782389S

(12) **United States Design Patent**  
**Currier**

(10) **Patent No.:** **US D782,389 S**

(45) **Date of Patent:** **\*\* Mar. 28, 2017**

- (54) **CAR VENT ORGANIZER**
- (71) Applicant: **TALUS CORPORATION**, Portland, ME (US)
- (72) Inventor: **Jason Currier**, Portland, ME (US)
- (73) Assignee: **Talus Corporation**, Portland, ME (US)
- (\*\*) Term: **15 Years**
- (21) Appl. No.: **29/554,243**
- (22) Filed: **Feb. 9, 2016**
- (51) **LOC (10) Cl.** ..... **12-16**
- (52) **U.S. Cl.**  
USPC ..... **D12/415**
- (58) **Field of Classification Search**  
USPC ..... D12/415-420, 400, 191, 106, 195, 345, D12/96, 99  
CPC ..... B60R 7/04; B60R 7/08  
See application file for complete search history.

- 6,405,909 B1 \* 6/2002 Burnett ..... B60R 7/043 211/64
- D499,287 S \* 12/2004 Clute ..... D6/514
- D650,733 S \* 12/2011 Cooney ..... D12/416
- D654,424 S \* 2/2012 Vadala ..... D12/416
- D770,360 S \* 11/2016 Currier ..... D12/415

\* cited by examiner

*Primary Examiner* — Katrina A Betton

(74) *Attorney, Agent, or Firm* — Tredecim LLC; Sean L. Sweeney

(57) **CLAIM**

The ornamental design for a car vent organizer, as shown and described.

**DESCRIPTION**

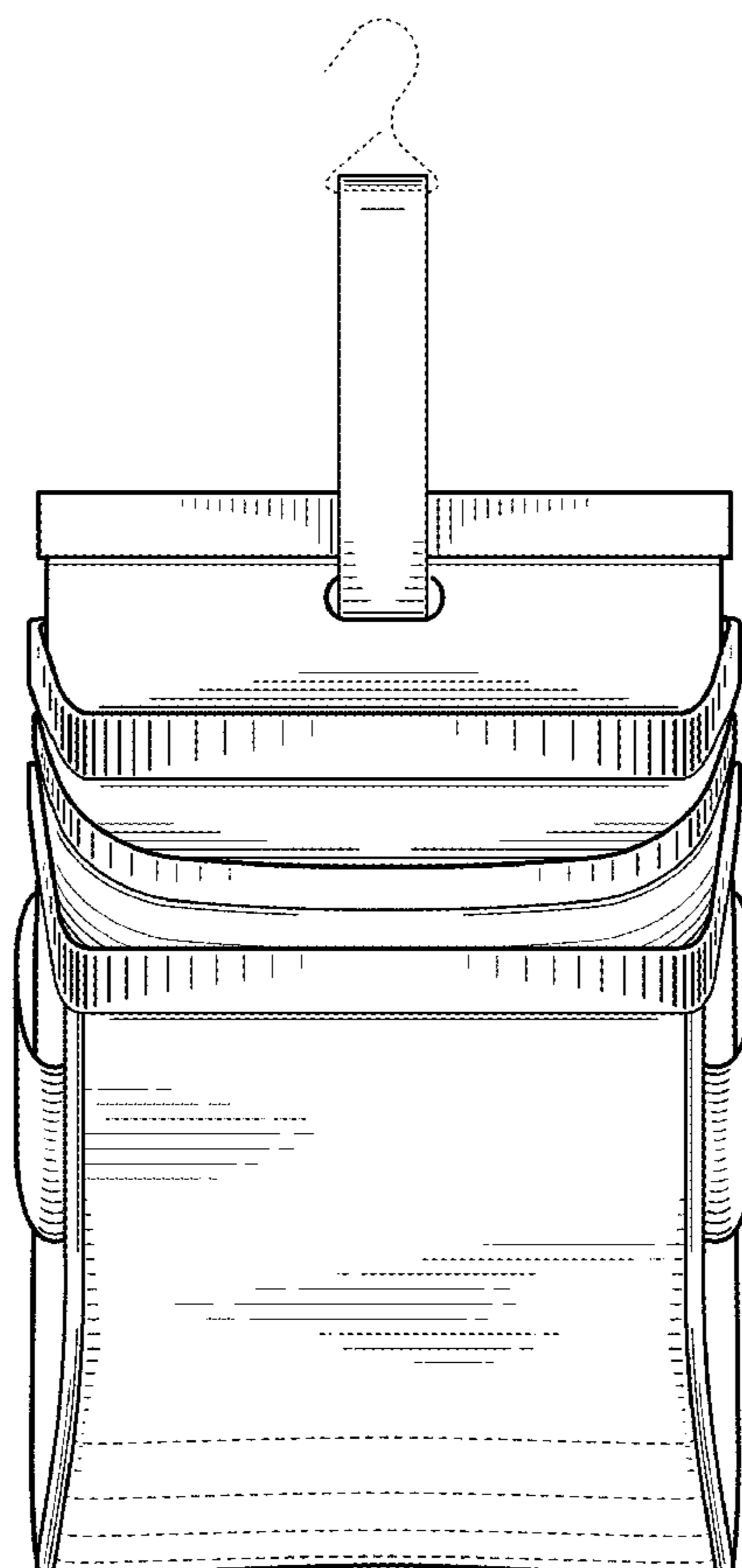
FIG. 1 is a front view of a car vent organizer showing my new design;  
 FIG. 2 is a rear view thereof;  
 FIG. 3 is a left side view thereof;  
 FIG. 4 is a right side view thereof;  
 FIG. 5 is a top view thereof;  
 FIG. 6 is a bottom view thereof; and,  
 FIG. 7 is a perspective front view thereof.  
 The dashed lines are for illustrative purposes only and form no part of the claimed design.

**1 Claim, 7 Drawing Sheets**

(56) **References Cited**

U.S. PATENT DOCUMENTS

- D328,974 S \* 9/1992 King ..... D3/318
- D339,013 S \* 9/1993 Wright ..... D19/91
- D344,180 S \* 2/1994 Garcia ..... D12/416



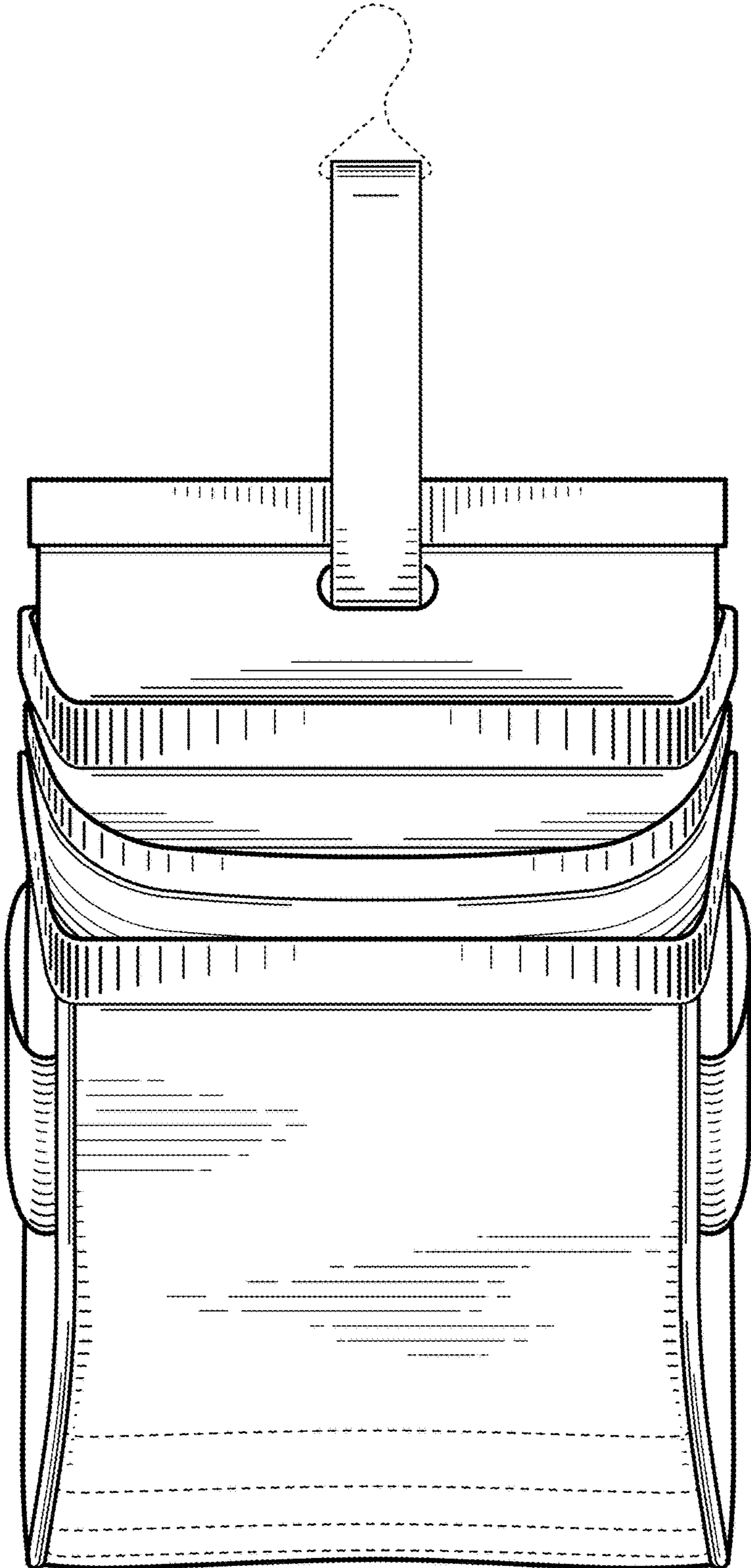


FIG. 1

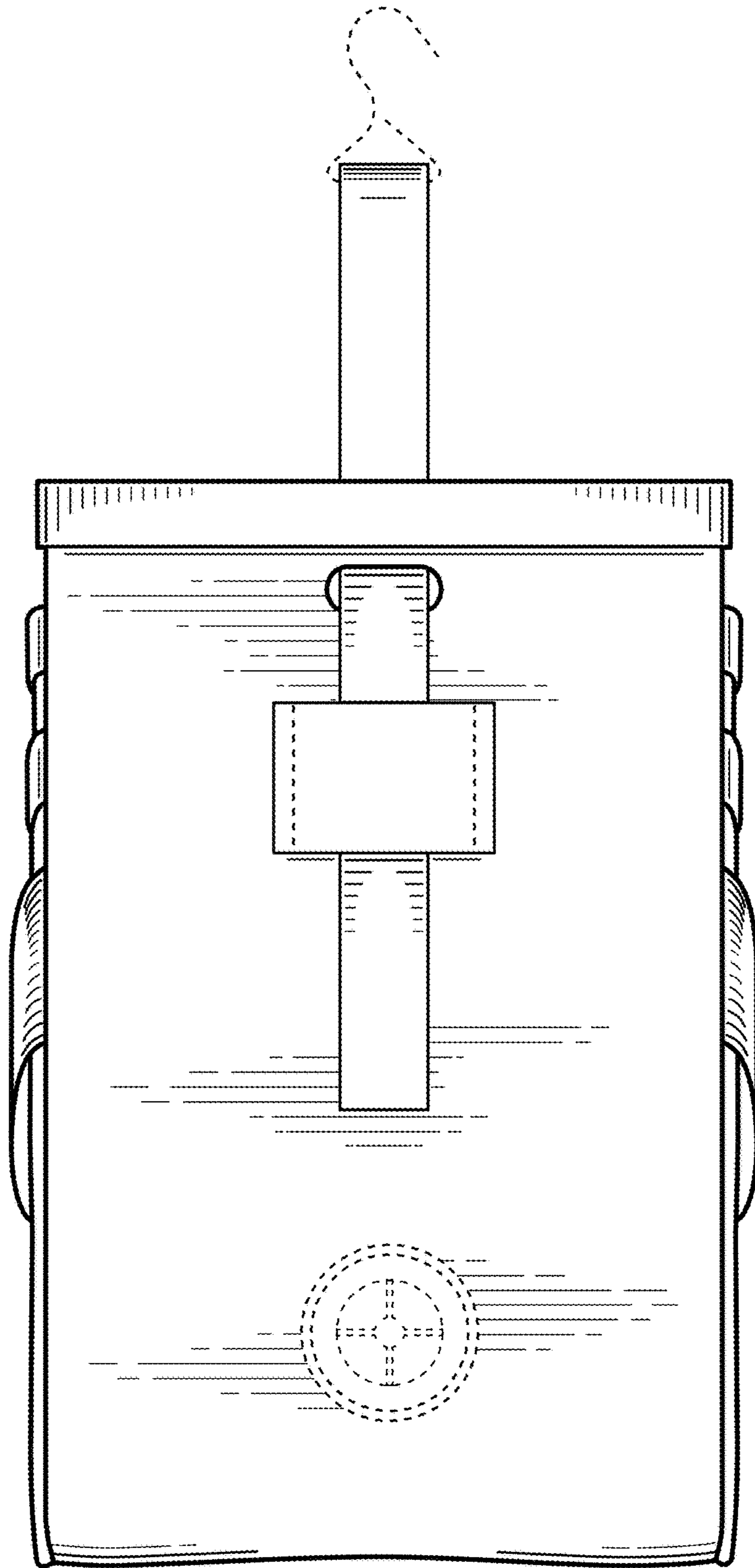


FIG. 2

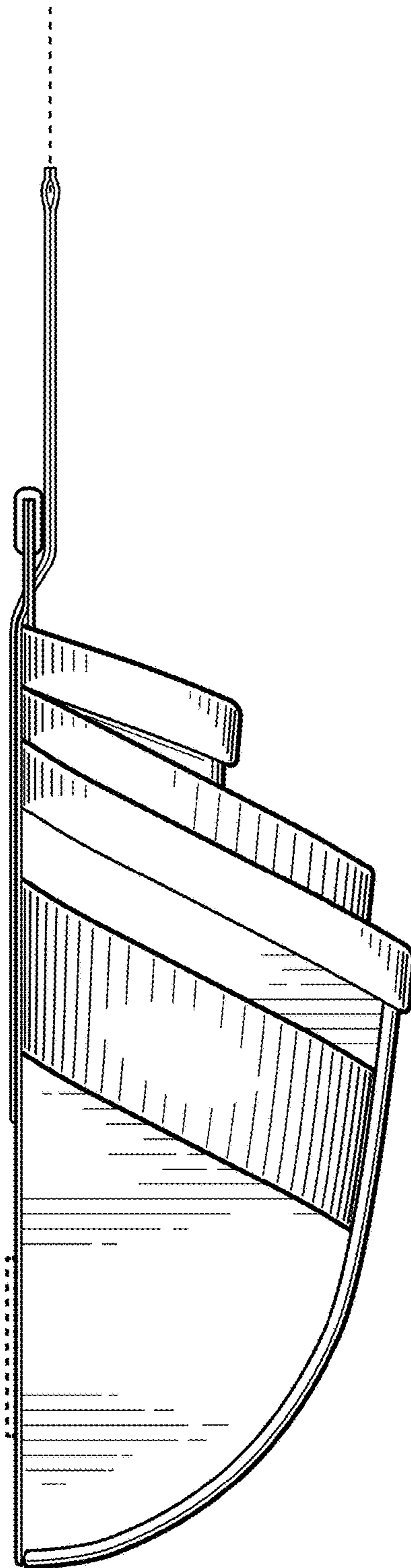


FIG. 3

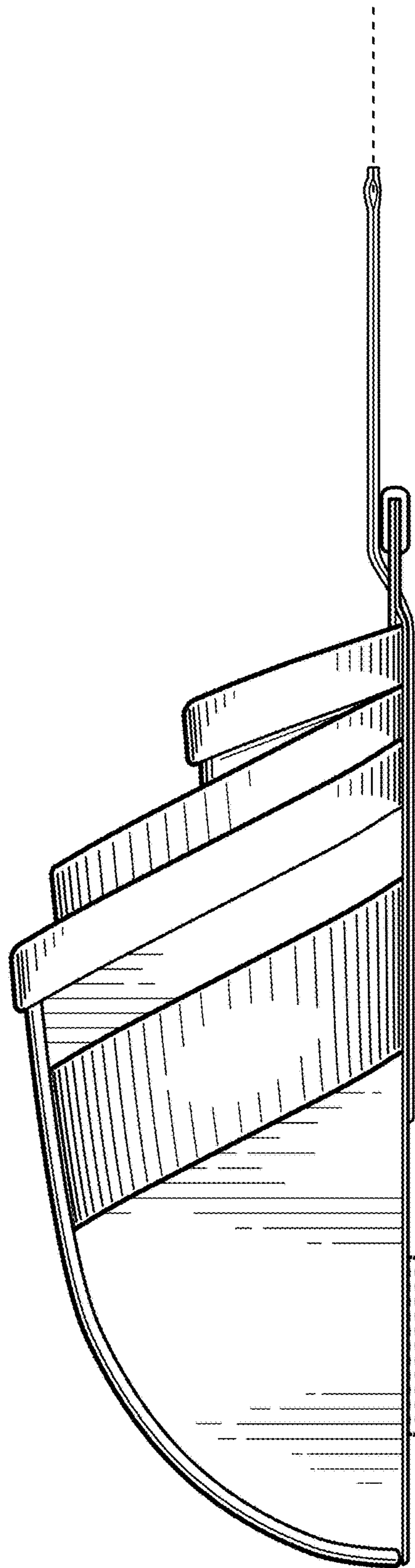


FIG. 4

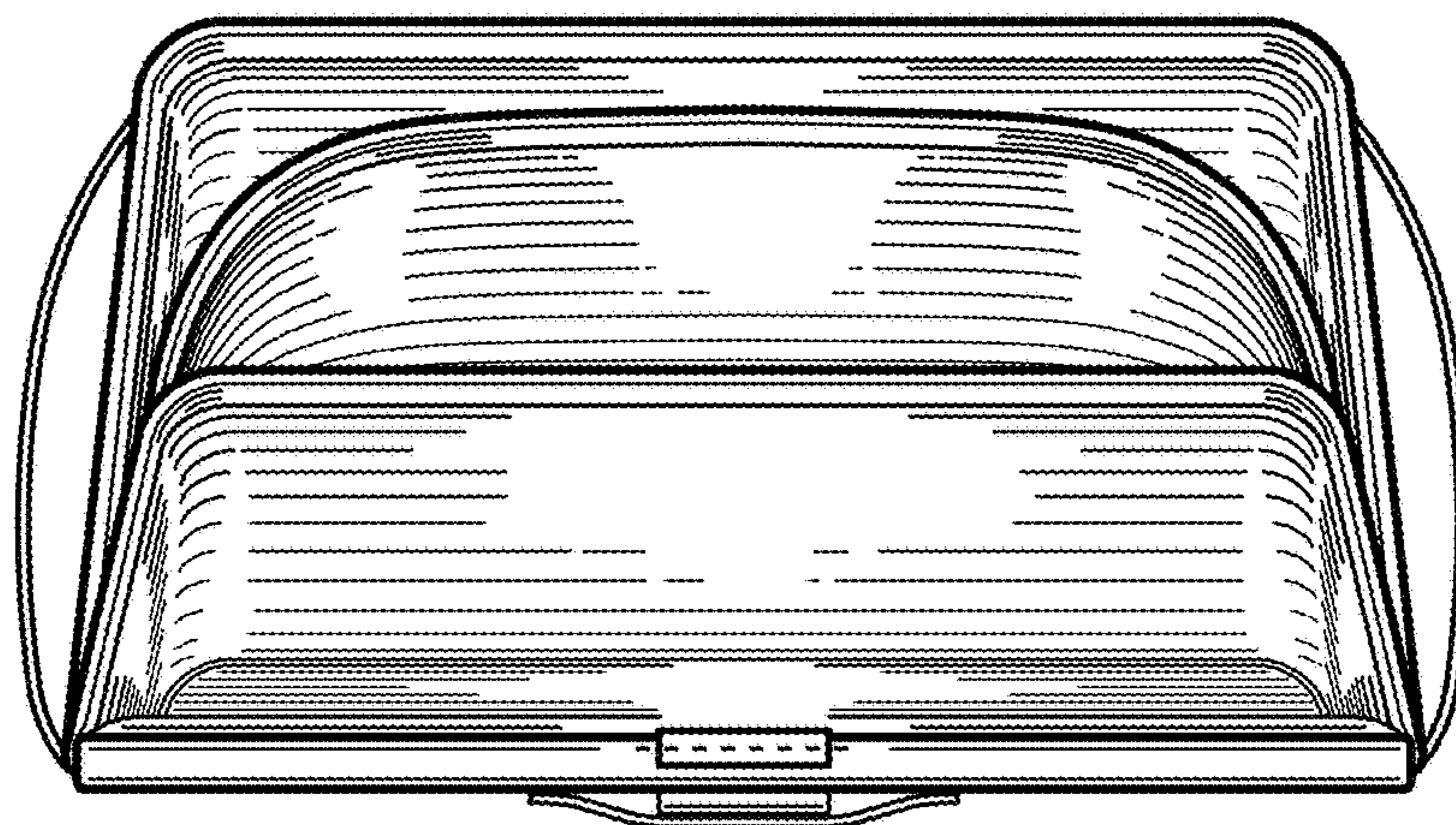


FIG. 5

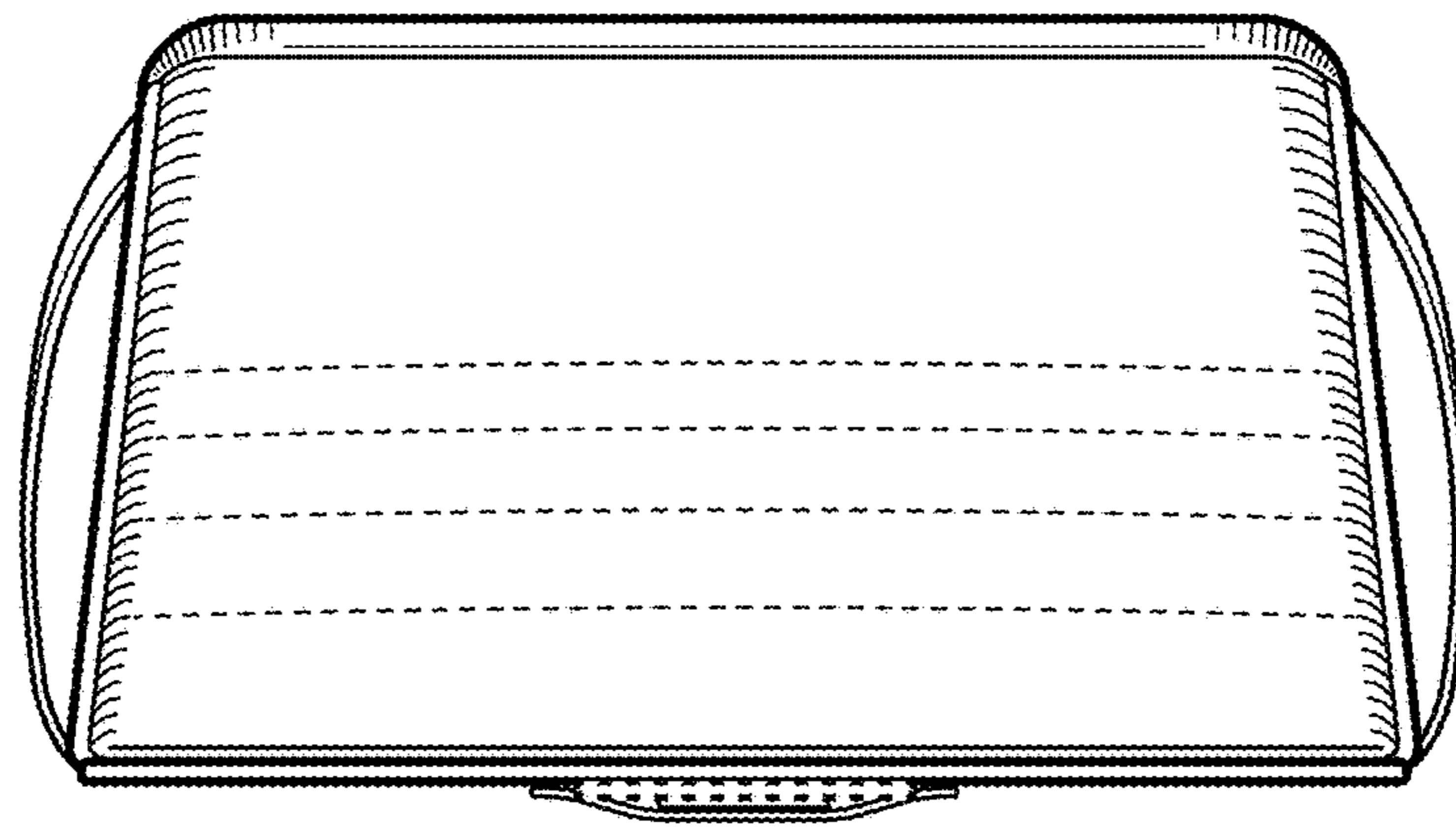


FIG. 6

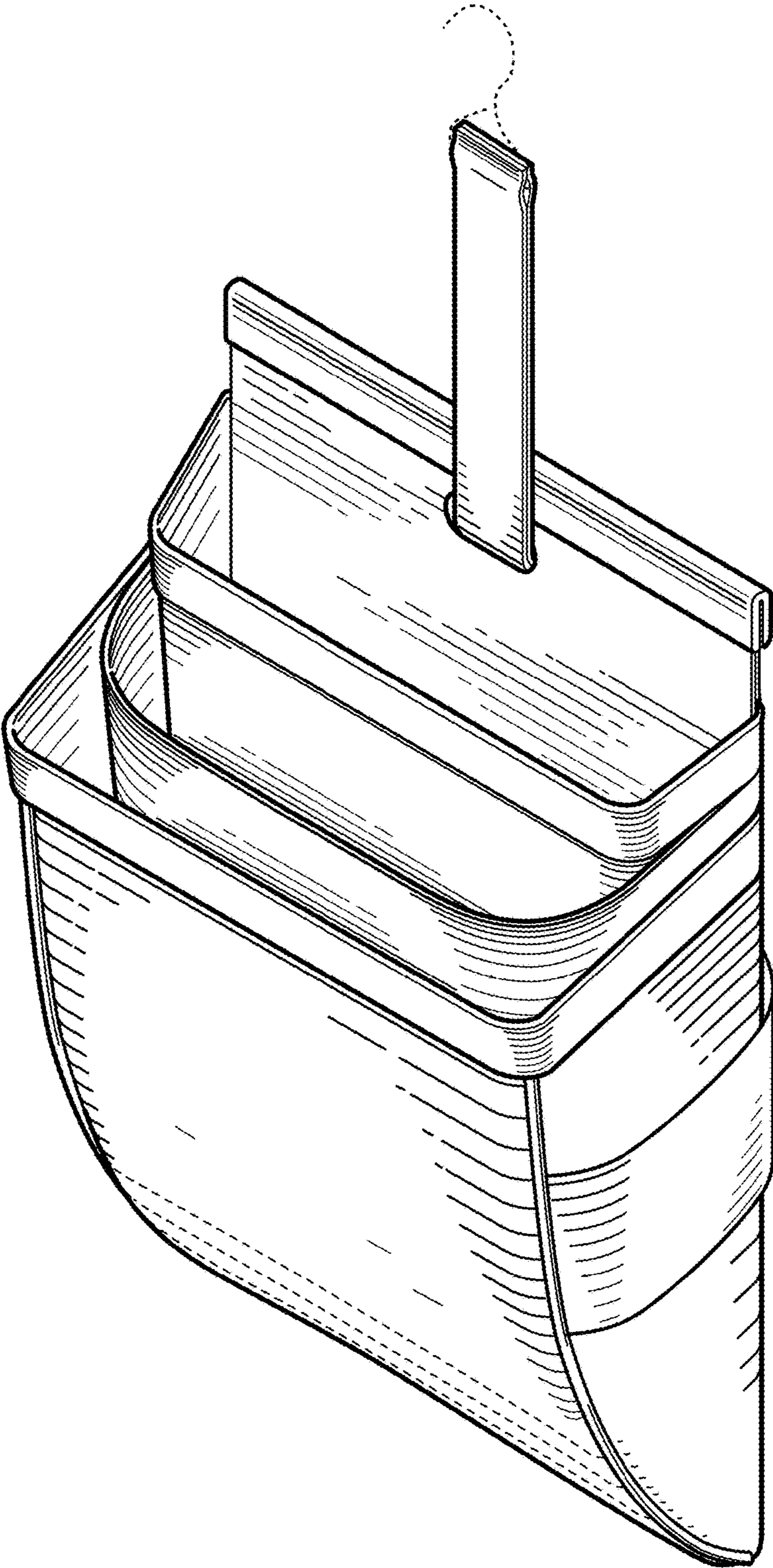


FIG. 7