



US00D782386S

(12) **United States Design Patent**
Zhao

(10) **Patent No.:** **US D782,386 S**
(45) **Date of Patent:** **** Mar. 28, 2017**

- (54) **AUTOMOBILE WHEEL**
- (71) Applicant: **WAH HUNG GROUP INC.**, Monterey Park, CA (US)
- (72) Inventor: **John Zhao**, Monterey Park, CA (US)
- (73) Assignee: **Wah Hung Group Inc.**, Monterey Park, CA (US)
- (**) Term: **15 Years**
- (21) Appl. No.: **29/558,770**
- (22) Filed: **Mar. 21, 2016**
- (51) **LOC (10) Cl.** **12-16**
- (52) **U.S. Cl.**
USPC **D12/211**
- (58) **Field of Classification Search**
USPC D12/204–213
CPC B60B 7/00; B60B 7/02; B60B 7/04; B60B 7/01; B60B 7/06; B60B 3/02; B60B 3/04; B60B 3/06; B60B 3/10; B60B 1/00; B60B 1/08; B60B 1/10; B60B 1/12
See application file for complete search history.

D726,621 S 4/2015 Alfonso
D754,581 S * 4/2016 Gallert D12/209
D763,164 S * 8/2016 Chung D12/211

OTHER PUBLICATIONS

Search Results for IN/ernie and IN/alfonso on Dec. 21, 2014.
Search results of IN/john and TTL/wheel and IN/zhao on Feb. 10, 2016.
U.S. Appl. No. 29/508,262, Ernie Alfonso, filed Nov. 4, 2014.
U.S. Appl. No. 29/508,266, Ernie Alfonso, filed Nov. 4, 2014.
U.S. Appl. No. 29/508,268, Ernie Alfonso, filed Nov. 4, 2014.
U.S. Appl. No. 29/508,269, Ernie Alfonso, filed Nov. 4, 2014.
U.S. Appl. No. 29/508,270, Ernie Alfonso, filed Nov. 4, 2014.
U.S. Appl. No. 29/508,271, Ernie Alfonso, filed Nov. 4, 2014.
U.S. Appl. No. 29/544,270, filed Nov. 2, 2015, Ernie Alfonso.
U.S. Appl. No. 29/544,262, filed Nov. 2, 2015, Ernie Alfonso.
U.S. Appl. No. 29/544,267, filed Nov. 2, 2015, Ernie Alfonso.
U.S. Appl. No. 29/544,268, filed Nov. 2, 2015, Ernie Alfonso.
U.S. Appl. No. 29/544,272, filed Nov. 2, 2015, Ernie Alfonso.

* cited by examiner

Primary Examiner — Stacia Cadmus
(74) *Attorney, Agent, or Firm* — Payam Moradian

(57) **CLAIM**

I claim the ornamental design for an automobile wheel, as shown and described.

DESCRIPTION

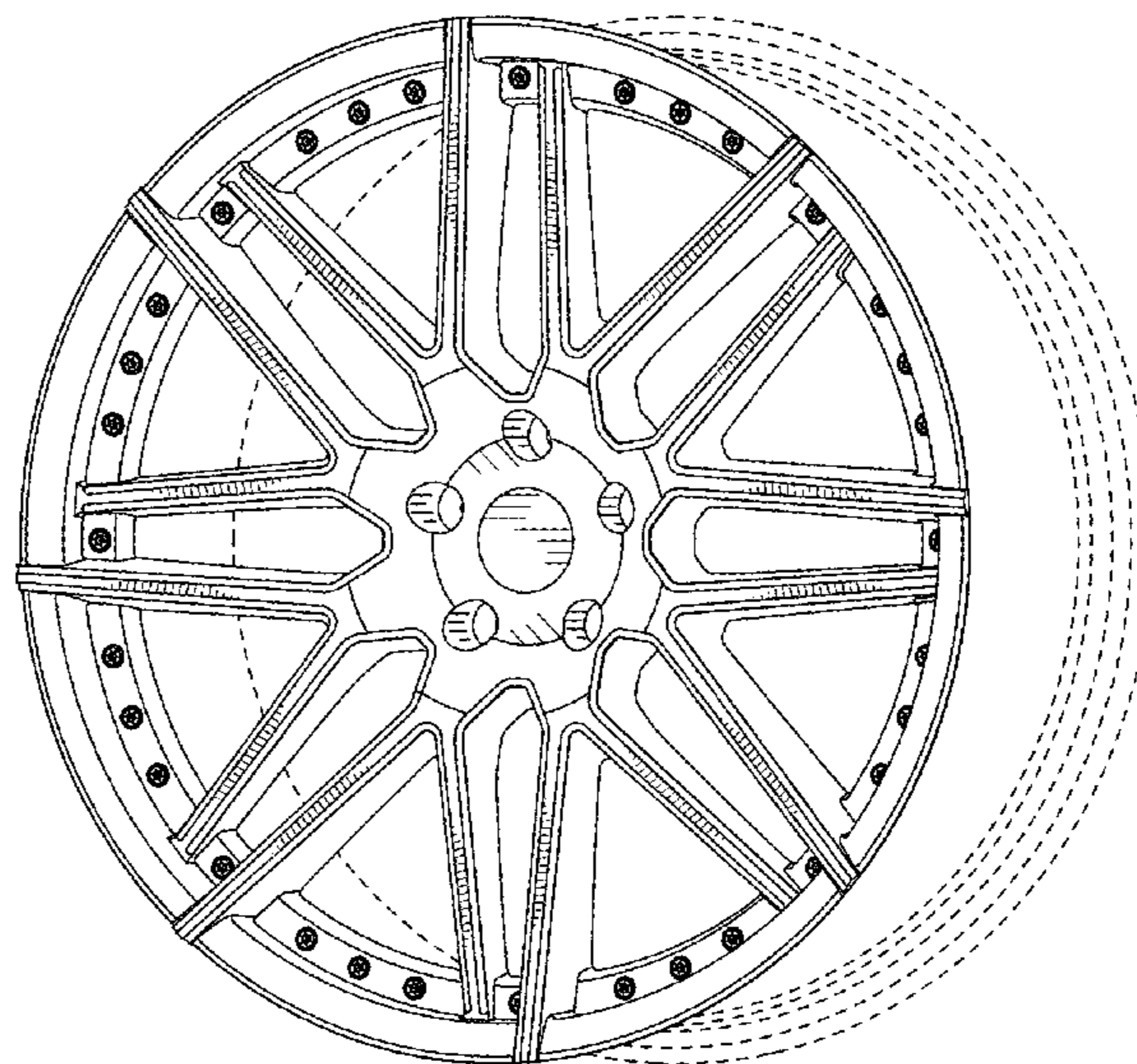
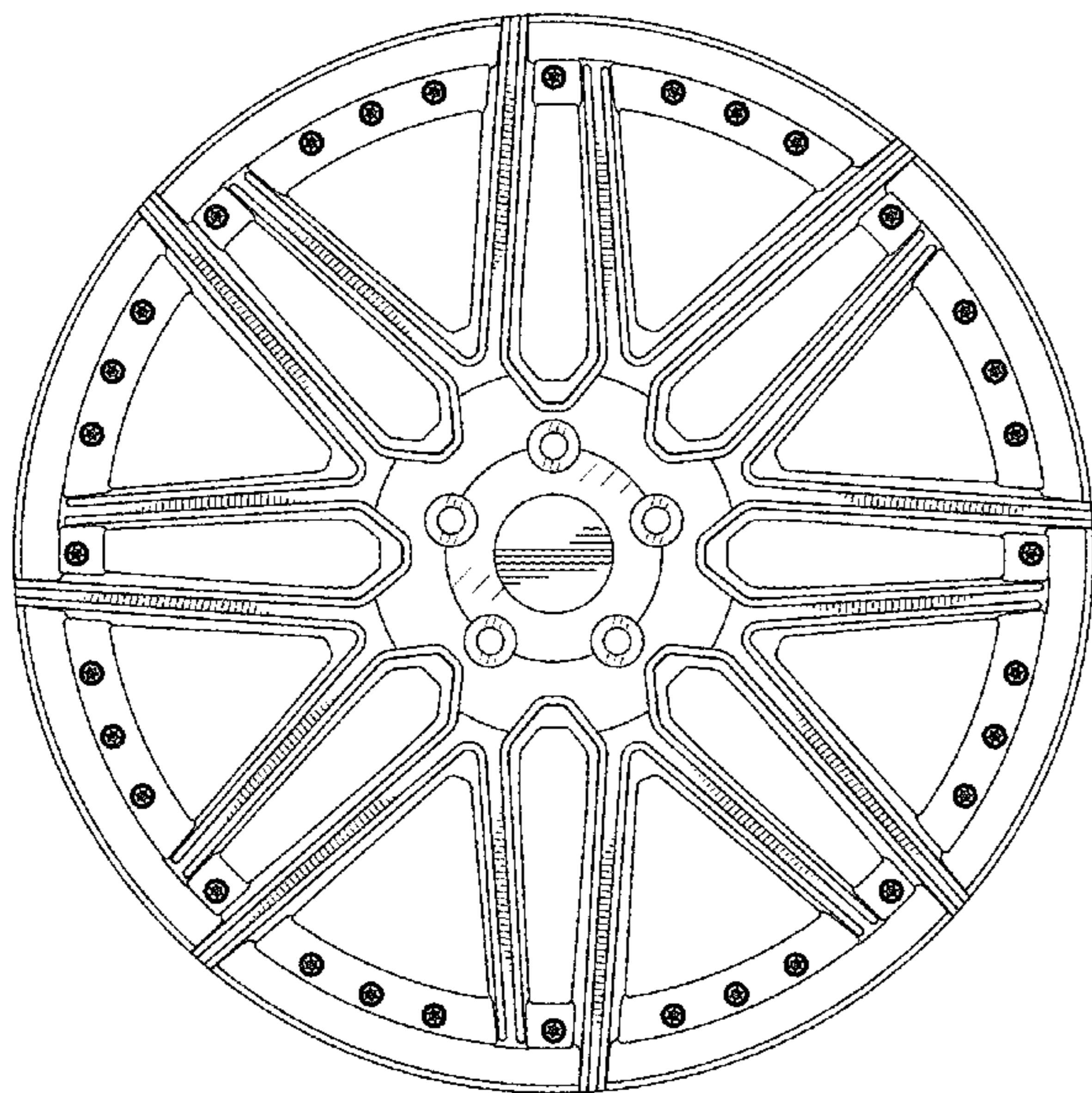
FIG. 1 is a front elevational view of an automobile wheel; and,
FIG. 2 is a perspective view thereof.
In the drawings, the broken lines depict environmental subject matter only and form no part of the claimed design.

1 Claim, 2 Drawing Sheets

(56) **References Cited**

U.S. PATENT DOCUMENTS

D606,922 S * 12/2009 Thorsten D12/211
D630,992 S * 1/2011 Cortes D12/211
D670,225 S * 11/2012 Muller D12/211
D670,226 S * 11/2012 Muller D12/211
D686,134 S * 7/2013 Amezketa D12/211
D708,110 S * 7/2014 Borkert D12/211



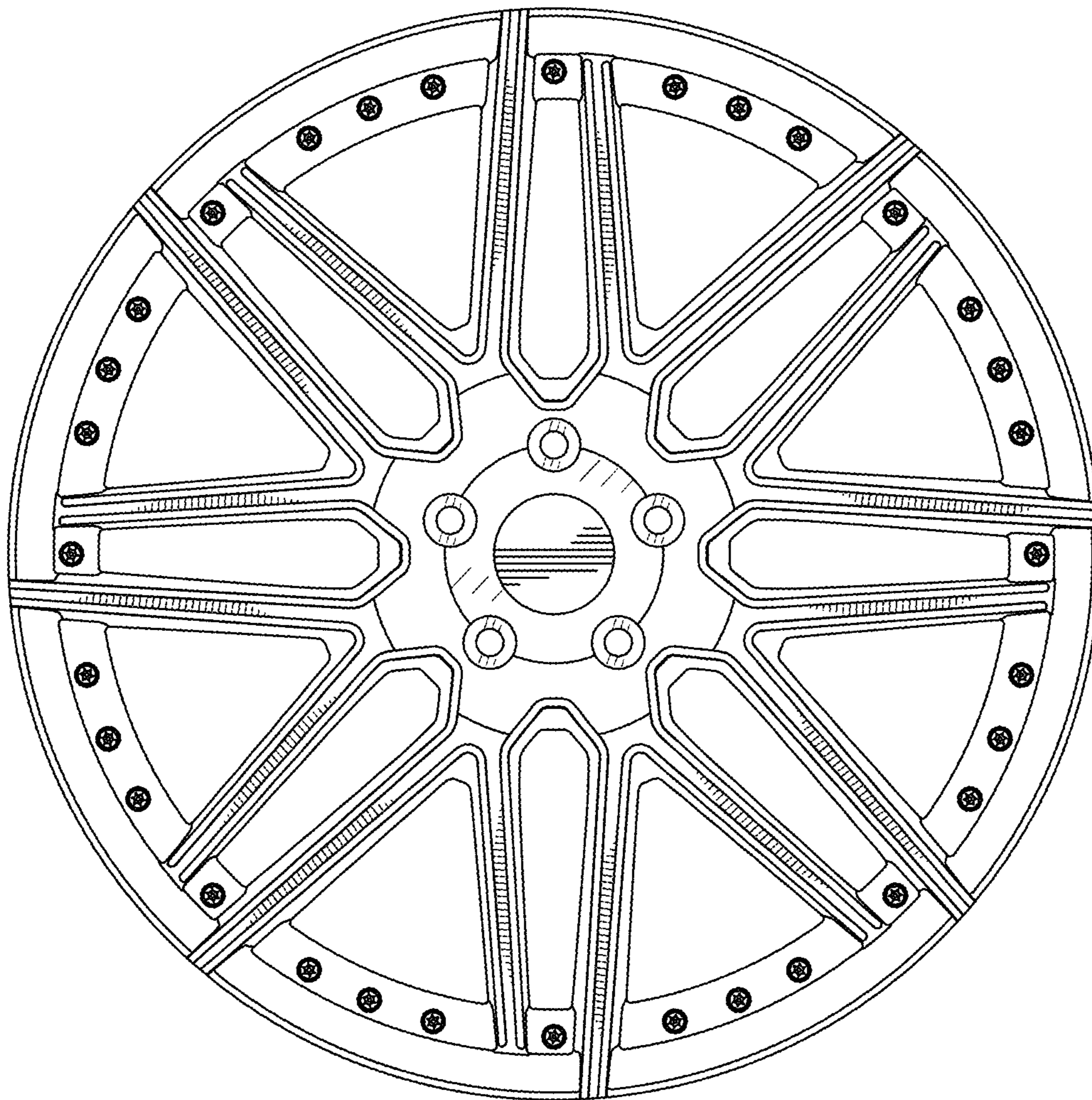


FIG. 1

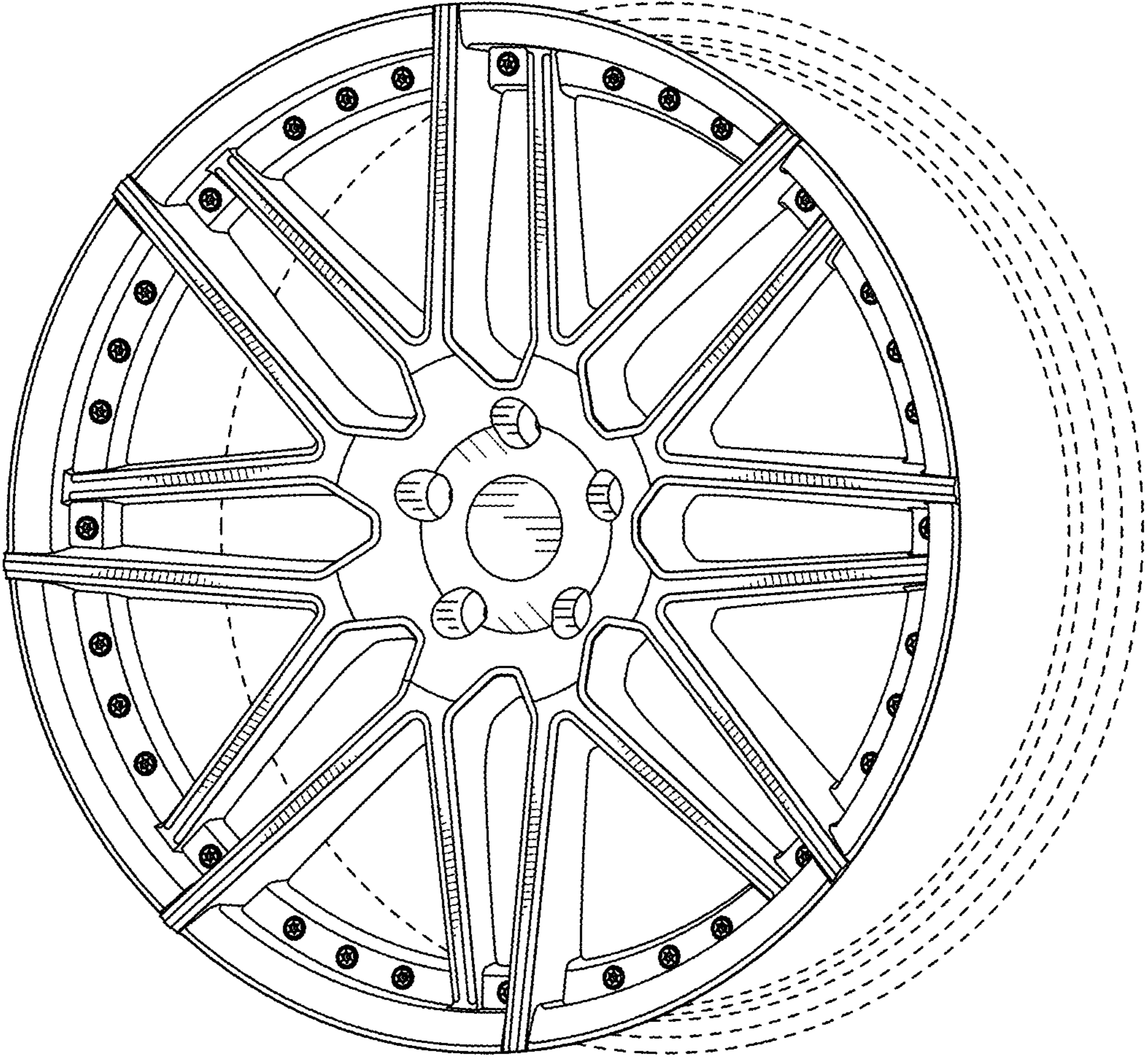


FIG.2