



US00D782381S

(12) **United States Design Patent**  
**Conway et al.**

(10) **Patent No.:** **US D782,381 S**  
(45) **Date of Patent:** **\*\* Mar. 28, 2017**

(54) **HOOD SIDE PANEL**  
(71) Applicants: **Scott M. Conway**, Flower Mound, TX  
(US); **Derek S. Sancer**, Corinth, TX  
(US)

D403,636 S 1/1999 Meryman et al.  
D403,639 S 1/1999 Gale et al.  
D411,494 S 6/1999 Meryman et al.  
(Continued)

(72) Inventors: **Scott M. Conway**, Flower Mound, TX  
(US); **Derek S. Sancer**, Corinth, TX  
(US)

OTHER PUBLICATIONS

“AeroCab,” Kenworth Truck Company, Kirkland, Washington,  
1993, 5-page brochure.

(Continued)

(73) Assignee: **PACCAR Inc**, Bellevue, WA (US)

*Primary Examiner* — Rosemary K Tarcza

*Assistant Examiner* — Yolanda Robinson

(\*\*) Term: **15 Years**

(74) *Attorney, Agent, or Firm* — Christensen O’Connor  
Johnson Kindness PLLC

(21) Appl. No.: **29/540,119**

(57) **CLAIM**

(22) Filed: **Sep. 21, 2015**

The ornamental design for a hood side panel, as shown and  
described.

(51) **LOC (10) Cl.** ..... **12-16**

(52) **U.S. Cl.**  
USPC ..... **D12/196**

**DESCRIPTION**

(58) **Field of Classification Search**  
USPC .... D12/90, 91, 92, 181, 184, 194, 196, 400;  
D21/424, 433, 434; 296/180.1, 181.2;  
180/89.12, 449  
CPC ..... B62D 25/02; B62D 25/10; B62D 25/16;  
B62D 25/161; B62D 23/005  
See application file for complete search history.

FIG. 1 is a perspective view of a hood side panel showing  
our new design;  
FIG. 2 is a front view of the hood side panel shown in FIG.  
**1**;  
FIG. 3 is a top view of the hood side panel shown in FIG.  
**1**;  
FIG. 4 is a left side view of the hood side panel shown in  
FIG. 1; and,  
FIG. 5 is a right side view of the hood side panel shown in  
FIG. 1.

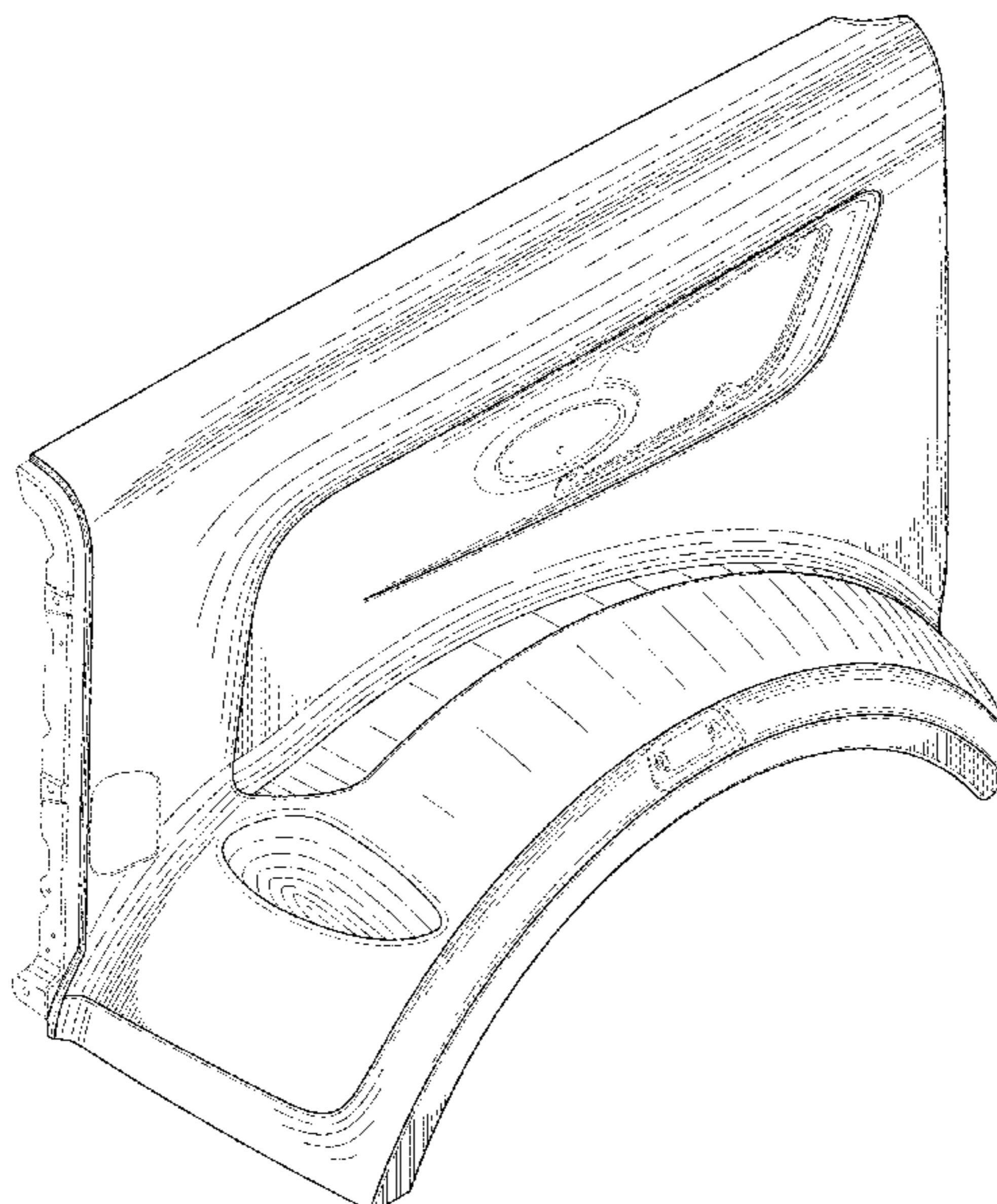
(56) **References Cited**

U.S. PATENT DOCUMENTS

D50,345 S 2/1917 Green  
D50,346 S 2/1917 Green  
D366,638 S 1/1996 Tucker et al.  
D366,640 S 1/1996 Tucker et al.  
D378,812 S \* 4/1997 Aycock ..... D12/167  
D382,239 S 8/1997 Logan et al.  
D382,841 S 8/1997 Norwood et al.  
D382,844 S 8/1997 Norwood et al.  
D395,860 S 7/1998 Meryman et al.  
D401,198 S 11/1998 Mueller et al.

The broken lines shown in the figures represent portions of  
the hood side panel that form no part of the claimed design.  
FIGS. 1-5 illustrate a first embodiment of our novel design  
for use on one side of a vehicle. Our novel design also  
includes a second embodiment suitable for use on the  
opposite side of a vehicle, which is mirror symmetrical to  
FIGS. 1-5 and therefore not separately illustrated.

**1 Claim, 5 Drawing Sheets**



(56)

References Cited

U.S. PATENT DOCUMENTS

D412,689 S 8/1999 Onopa  
 D422,251 S \* 4/2000 Bader ..... D12/173  
 D431,806 S 10/2000 Damon et al.  
 D433,980 S 11/2000 Conway et al.  
 D434,358 S 11/2000 Conway et al.  
 D435,816 S \* 1/2001 Delashaw ..... D12/173  
 D436,563 S \* 1/2001 Delashaw ..... D12/173  
 D443,853 S 6/2001 Barraclough et al.  
 D446,175 S 8/2001 Hoyle, Jr.  
 D450,277 S 11/2001 Onopa  
 D460,023 S 7/2002 Beigel  
 D465,749 S 11/2002 Beigel  
 D466,450 S 12/2002 Maher et al.  
 D478,300 S 8/2003 Chiang  
 D482,993 S 12/2003 Conway et al.  
 D484,077 S \* 12/2003 Conway ..... D12/173  
 D488,112 S 4/2004 Satou  
 D490,749 S 6/2004 Satou et al.  
 D491,858 S 6/2004 Velazco  
 D492,921 S 7/2004 Perfetti et al.  
 D494,900 S 8/2004 Satou  
 D495,633 S 9/2004 Chiang  
 D497,581 S \* 10/2004 Conway ..... D12/173  
 D502,901 S 3/2005 Delashaw et al.  
 D502,904 S 3/2005 Delashaw et al.  
 D504,642 S 5/2005 Perfetti et al.  
 D511,727 S 11/2005 Shaw et al.  
 D512,666 S 12/2005 Chiang  
 D514,483 S 2/2006 Chiang  
 D517,965 S 3/2006 Metros et al.  
 D518,761 S 4/2006 Chiang  
 D523,793 S \* 6/2006 Beigel ..... D12/173  
 D524,204 S 7/2006 Beigel  
 D531,947 S 11/2006 Angelo et al.  
 D532,350 S 11/2006 Angelo et al.  
 D532,352 S 11/2006 Angelo et al.  
 D540,725 S \* 4/2007 Gunter ..... D12/173  
 D540,727 S 4/2007 Elliott et al.  
 D545,250 S 6/2007 Angelo et al.  
 D545,251 S 6/2007 Angelo et al.  
 D545,254 S \* 6/2007 Angelo ..... D12/173  
 D545,255 S 6/2007 Angelo et al.  
 D560,575 S 1/2008 Simons et al.  
 D560,582 S 1/2008 Simons et al.  
 D560,583 S \* 1/2008 Simons ..... D12/196  
 D563,281 S \* 3/2008 Simons ..... D12/173  
 D563,849 S 3/2008 Medina et al.  
 D563,850 S 3/2008 Rosen et al.  
 D563,851 S \* 3/2008 Rosen ..... D12/173  
 D563,852 S \* 3/2008 Rosen ..... D12/173  
 D563,853 S 3/2008 Rosen et al.  
 D564,427 S \* 3/2008 Beigel ..... D12/173  
 D566,635 S 4/2008 Rosen et al.  
 D571,696 S 6/2008 Rosen et al.  
 D578,453 S \* 10/2008 Raghavendran ..... D12/173  
 D588,512 S \* 3/2009 Raghavendran ..... D12/173  
 D592,574 S 5/2009 Larson  
 D597,003 S 7/2009 Yamazaki et al.  
 D605,986 S 12/2009 Raghavendran et al.  
 D619,941 S 7/2010 Krauss  
 D621,754 S \* 8/2010 Angelo ..... D12/173  
 D622,188 S \* 8/2010 Angelo ..... D12/196  
 D632,234 S 2/2011 Peltola et al.  
 D643,352 S 8/2011 Hjorten et al.  
 D647,016 S 10/2011 Medina et al.  
 D647,832 S 11/2011 Medina et al.  
 D654,401 S 2/2012 Peltola et al.  
 D654,417 S \* 2/2012 Peltola ..... D12/196  
 D685,294 S 7/2013 Hanson et al.  
 D708,104 S \* 7/2014 Conway ..... D12/196  
 D709,421 S \* 7/2014 Conway ..... D12/196  
 D709,422 S \* 7/2014 Peltola ..... D12/196  
 D709,423 S \* 7/2014 Peltola ..... D12/196

D709,424 S \* 7/2014 Conway ..... D12/196  
 D709,425 S \* 7/2014 Conway ..... D12/196  
 2013/0025954 A1 \* 1/2013 Miller ..... B62D 25/10  
 180/69.21

OTHER PUBLICATIONS

“AeroCab,” Kenworth Truck Company, Kirkland, Washington, as early as 1995, 3-page brochure.  
 “C500B,” Kenworth Truck Company, Kirkland, Washington, as early as 1990, 4-page brochure.  
 “Class Pays, Medium Duty,” Peterbilt Motors Company, Denton, Texas, Sep. 2000, 12-page brochure.  
 “Class Pays, Truck Models,” Peterbilt Motors Company, Denton, Texas, Mar. 2005, 24-page brochure.  
 “Class Pays,” Peterbilt Motors Company, Denton, Texas, Nov. 1998, 10-page brochure.  
 Class Pays, Peterbilt Motors Company, Denton, Texas, Sep. 1997, 10-page brochure.  
 Class Pays, Construction Trucks, Peterbilt Motors Company, Denton, Texas, Nov. 2003, 16-page brochure.  
 “Kenworth Truck Models,” Kenworth Truck Company, Kirkland, Washington, 2010, 16-page brochure.  
 “Model 330,” Peterbilt Motors Company, Denton, Texas, Oct. 1997, 3-page brochure.  
 “Model 357 Heavy Haul,” Peterbilt Motors Company, Denton, Texas, Mar. 2005, 2-page brochure.  
 “Model 357 Standard Specifications,” Peterbilt Motors Company, Newark, California, Sep. 1986, 6-page brochure.  
 “Model 357, New Sloped Hood,” Peterbilt Motors Company, Denton, Texas, May 2002, 2-page brochure.  
 “Model 357,” Peterbilt Motors Company, Denton, Texas, May 1994, 3-page brochure.  
 “Model 357-115,” Peterbilt Motors Company, Denton, Texas, Mar. 2005, 2-page brochure.  
 “Model 375 Standard Specifications,” Peterbilt Motors Company, Newark, California, Sep. 1986, 6-page brochure.  
 “Model 377A/E,” Peterbilt Motors Company, Denton, Texas, Aug. 1997, 2-page brochure.  
 “Model 377A/E,” Peterbilt Motors Company, Denton, Texas, Jan. 1995, 6-page brochure.  
 “Model 378,” Peterbilt Motors Company, Denton, Texas, Mar. 1998, 3-page brochure.  
 “Model 379,” Peterbilt Motors Company, Denton, Texas, Apr. 2005, 2-page brochure.  
 “Model 379,” Peterbilt Motors Company, Denton, Texas, Mar. 1996, 5-page brochure.  
 “Model 385,” Peterbilt Motors Company, Denton, Texas, Oct. 1996, 5-page brochure.  
 “Model 387,” Peterbilt Motors Company, Denton, Texas, Oct. 2002, 2-page brochure.  
 Rest with Class, Peterbilt Motors Company, Newark, California, Apr. 1978, 4-page brochure.  
 “T170 Class 5,” Kenworth Truck Company, Kirkland, Washington, 2008, 4-page brochure.  
 “T2000,” Kenworth Truck Company, Kirkland, Washington, 1999, 20-page brochure.  
 “T2000,” Kenworth Truck Company, Kirkland, Washington, 2002, 20-page brochure.  
 “T2000,” Kenworth Truck Company, Kirkland, Washington, 2005, 20-page brochure.  
 “T270 Class 6 and T370 Class 7,” Kenworth Truck Company, Kirkland, Washington, 2008, 6-page brochure.  
 “T270 Class 6 and T370 Class 7,” Kenworth Truck Company, Kirkland, Washington, 2009, 6-page brochure.  
 “T270 Class 6 and T370 Class 7 Hybrid,” Kenworth Truck Company, Kirkland, Washington, 2009, 6-page brochure.  
 “T300,” Kenworth Truck Company, Kirkland, Washington, 1994, 4-page brochure.  
 “T300,” Kenworth Truck Company, Kirkland, Washington, 2001, 16-page brochure.

(56)

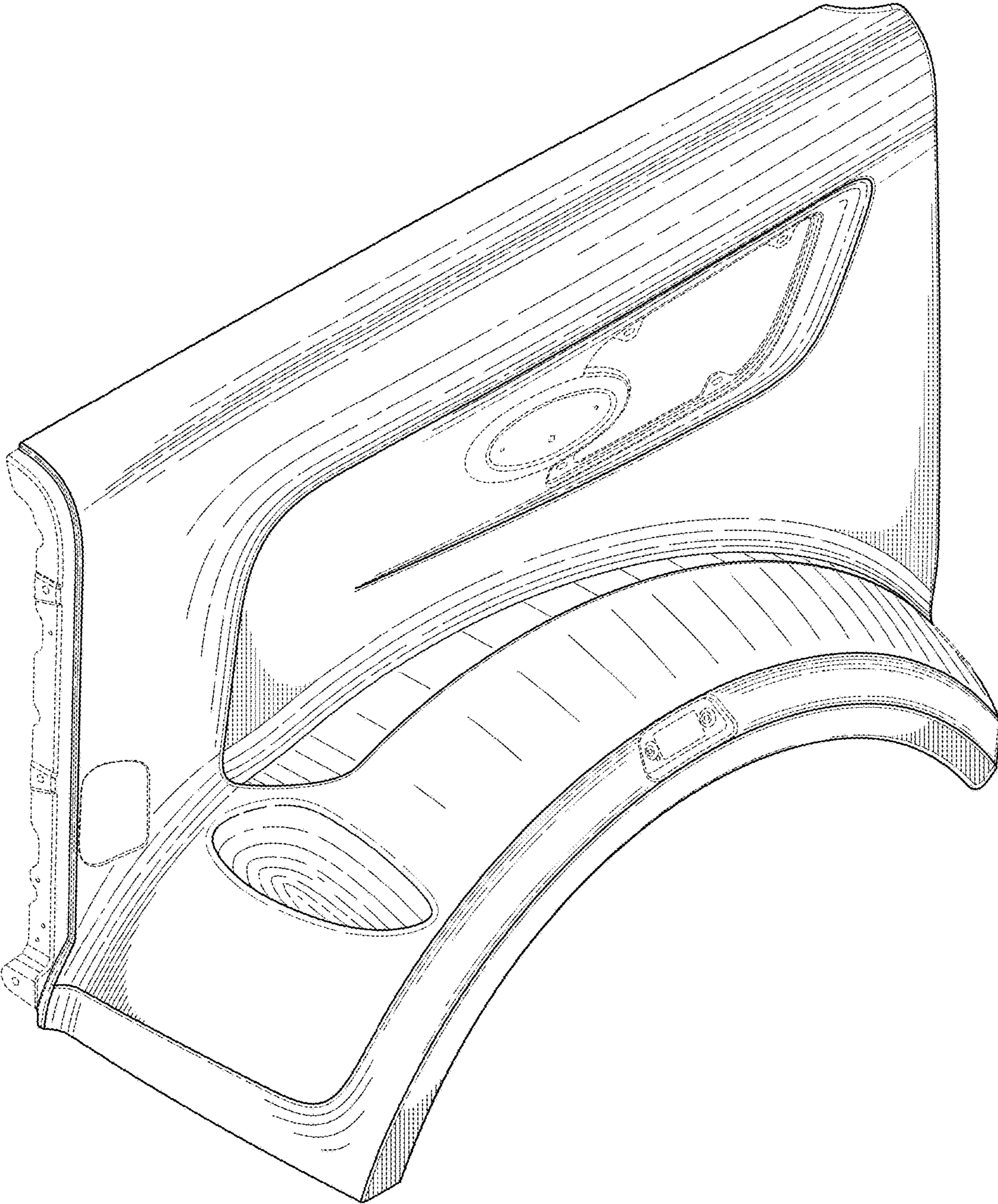
**References Cited**

## OTHER PUBLICATIONS

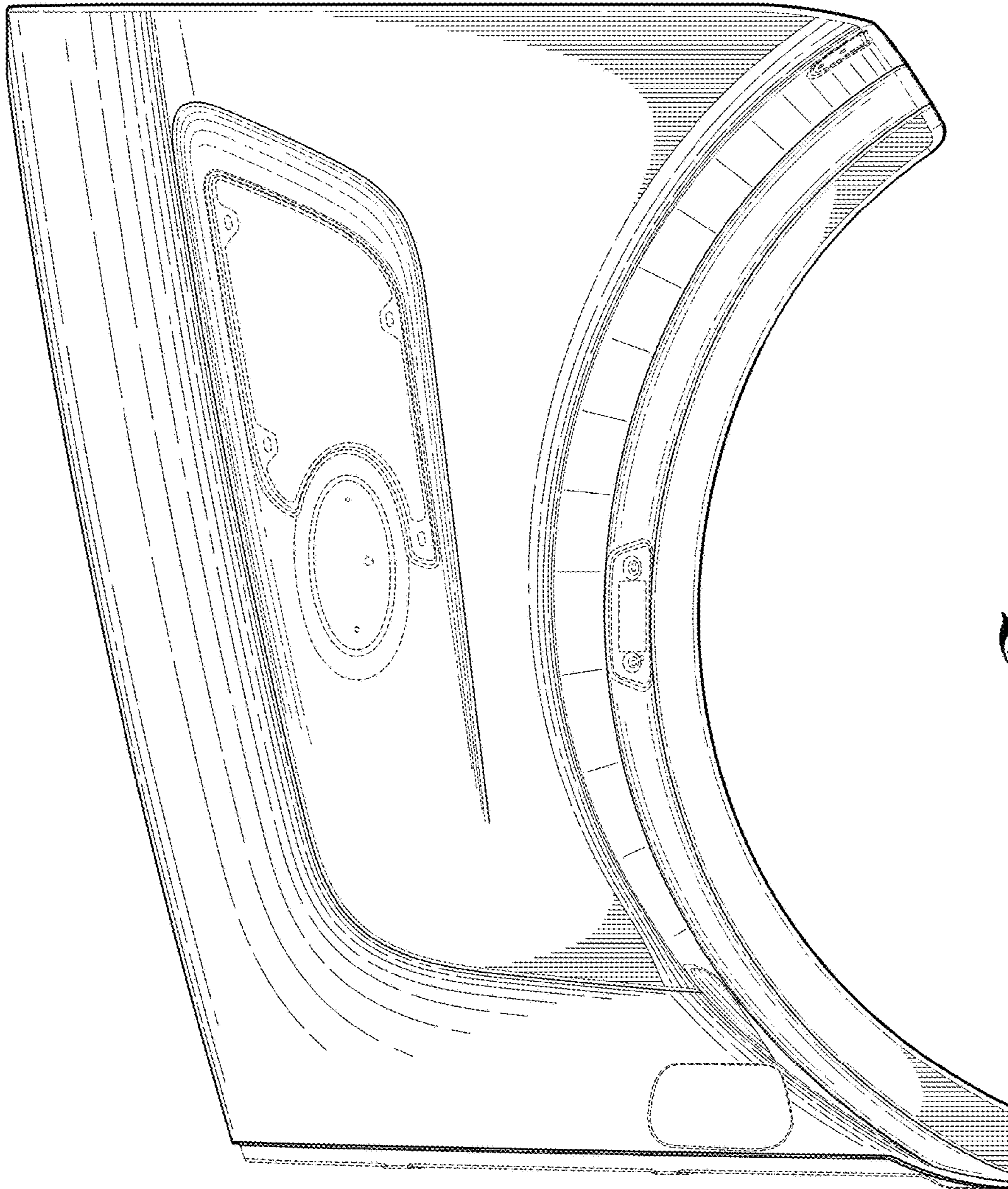
"T300," Kenworth Truck Company, Kirkland, Washington, 2005, 16-page brochure.  
 "T440," Kenworth Truck Company, Kirkland, Washington, 2010, 2-page brochure.  
 "T440," Kenworth Truck Company, Kirkland, Washington, 2010, 6-page brochure.  
 "T470," Kenworth Truck Company, Kirkland, Washington, 2010, 6-page brochure.  
 "T470H," Kenworth Truck Company, Kirkland, Washington, 2009, 2-page brochure.  
 "T600," Kenworth Truck Company, Kirkland, Washington, 1996, 7-page brochure.  
 "T600," Kenworth Truck Company, Kirkland, Washington, 2002, 28-page brochure.  
 "T600," Kenworth Truck Company, Kirkland, Washington, 2005, 24-page brochure.  
 "T600A," Kenworth Truck Company, Kirkland, Washington, 1985, 10-page brochure.  
 "T660," Kenworth Truck Company, Kirkland, Washington, 2007, 36-page brochure.  
 "T660," Kenworth Truck Company, Kirkland, Washington, 2009, 36-page brochure.  
 "T700," Kenworth Truck Company, Kirkland, Washington, 2010, 6-page brochure.  
 "T800," Kenworth Truck Company, Kirkland, Washington, 1996, 7-page brochure.

"T800," Kenworth Truck Company, Kirkland, Washington, 2002, 32-page brochure.  
 "T800," Kenworth Truck Company, Kirkland, Washington, 2003, 32-page brochure.  
 "T800," Kenworth Truck Company, Kirkland, Washington, 2005, 28-page brochure.  
 "T800," Kenworth Truck Company, Kirkland, Washington, 2009, 28-page brochure.  
 "T800B," Kenworth Truck Company, Kirkland, Washington, 1993, 8-page brochure.  
 "The Working Class," Peterbilt Motors Company, Newark, California, Sep. 1976, 6-page brochure.  
 "The World's Best," Kenworth Truck Company, Kirkland, Washington, 1992, 12-page brochure.  
 "Unibilt™ Cab Sleeper System," Peterbilt Motors Company, Denton Texas, Aug. 1994, 6-page brochure.  
 "W900," Kenworth Truck Company, Kirkland, Washington, 1996, 7-page brochure.  
 "W900," Kenworth Truck Company, Kirkland, Washington, 2002, 32-page brochure.  
 "W900," Kenworth Truck Company, Kirkland, Washington, 2005, 28-page brochure.  
 "W900," Kenworth Truck Company, Kirkland, Washington, 2009, 28-page brochure.  
 "W900L Aero Cab," Kenworth Truck Company, Kirkland, Washington, 1994, 2-page brochure.

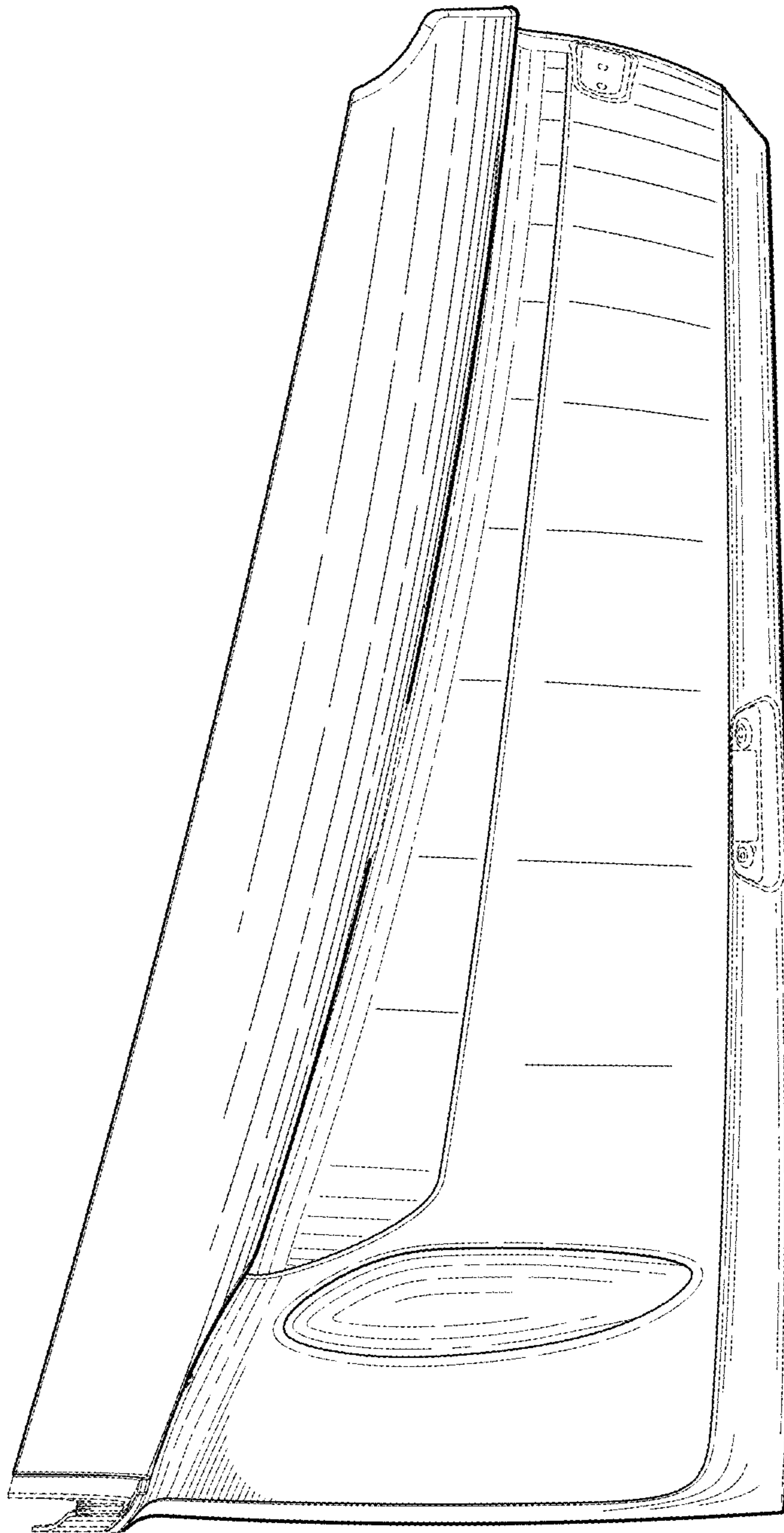
\* cited by examiner



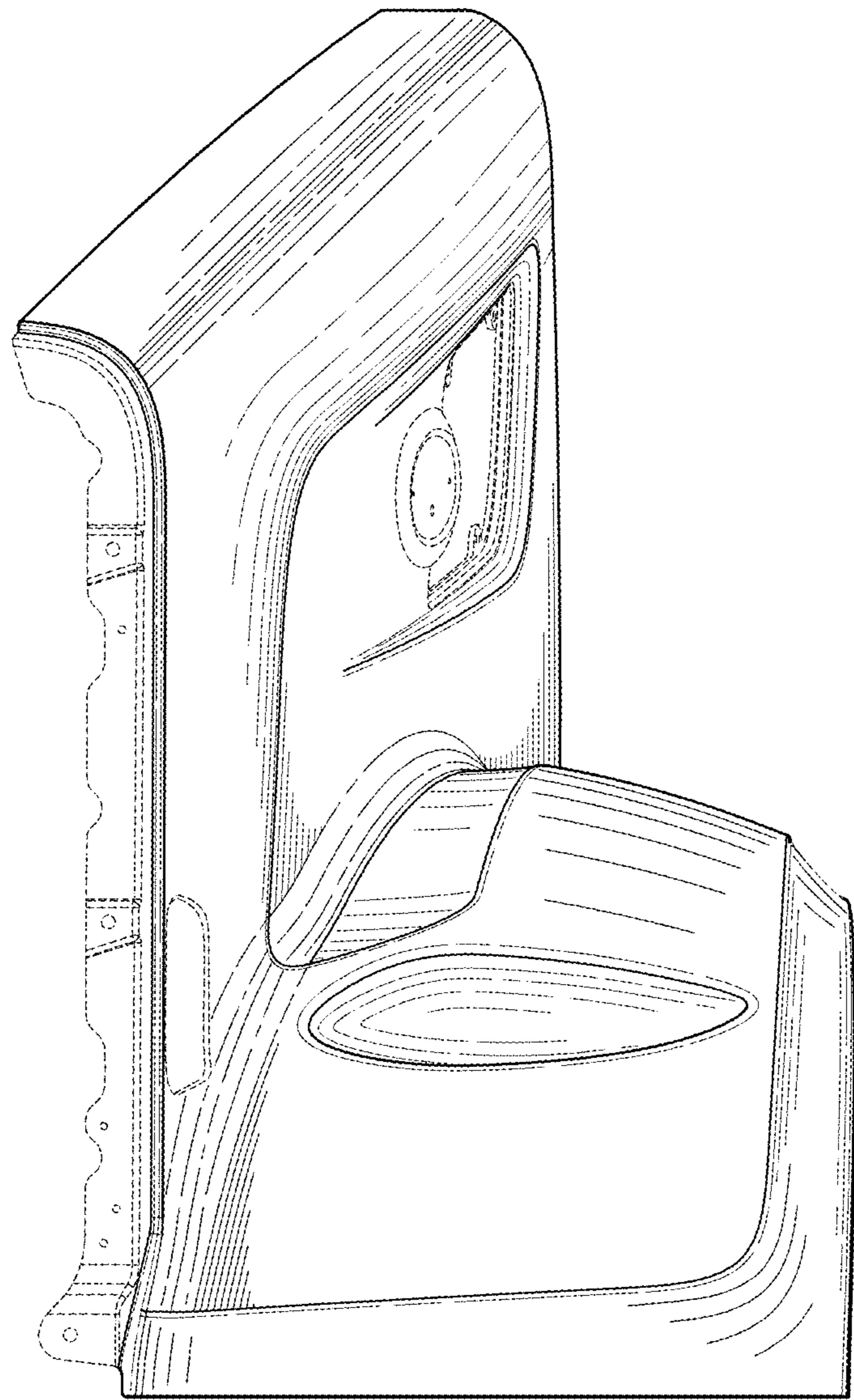
*Fig. 1.*



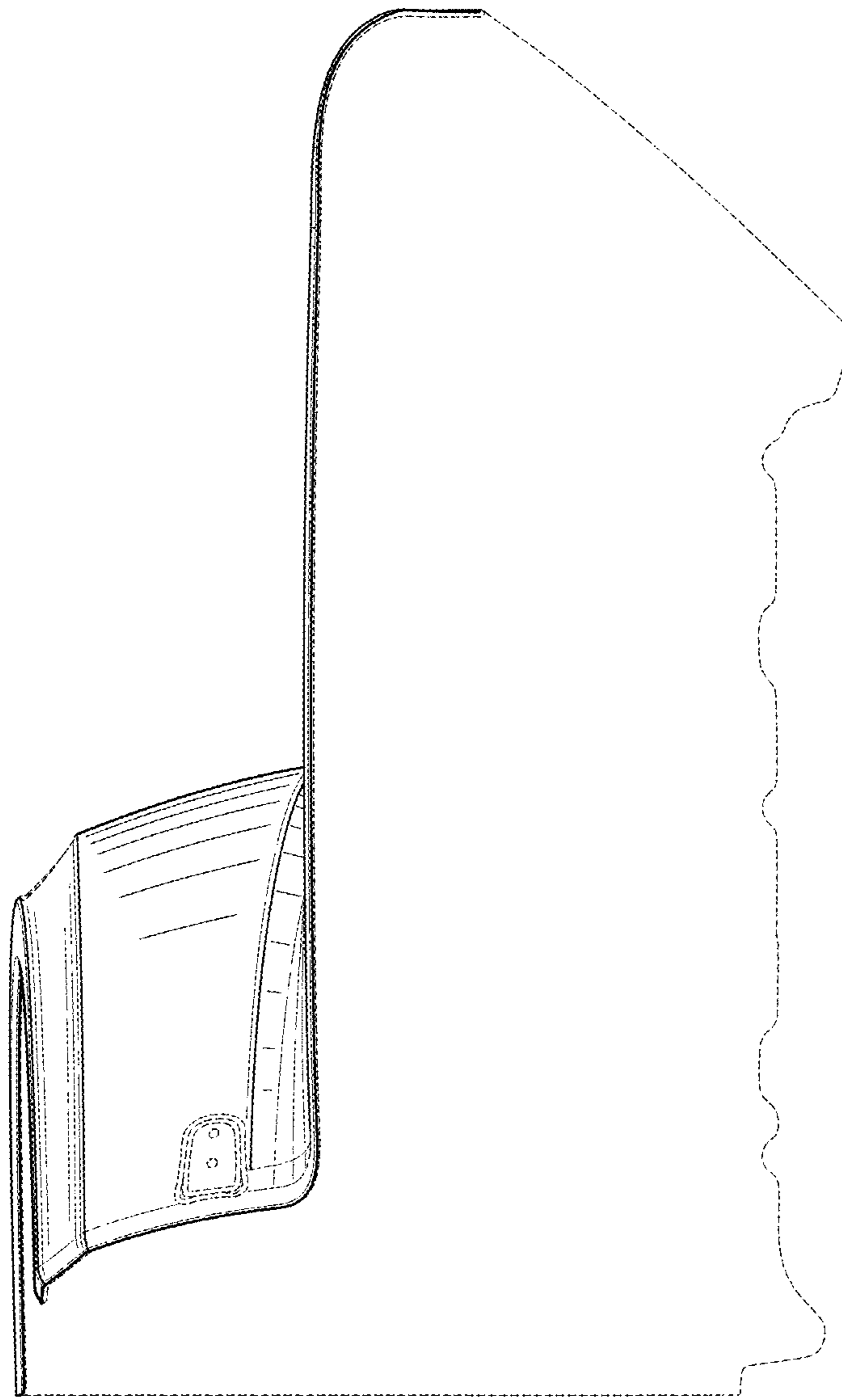
*Fig. 2.*



*Fig. 3.*



*Fig. 4.*



*Fig. 5.*