



US00D782376S

(12) **United States Design Patent**  
**McArt**

(10) **Patent No.:** **US D782,376 S**

(45) **Date of Patent:** **\*\* Mar. 28, 2017**

(54) **REAR SPOILER FOR A VEHICLE**

D754,578 S \* 4/2016 Buck ..... D12/181  
D754,579 S \* 4/2016 Battams ..... D12/181  
D763,751 S \* 8/2016 Varga ..... D12/181

(71) Applicant: **FOREST RIVER, INC.**, Elkhart, IN  
(US)

(72) Inventor: **Kevin F. McArt**, Elkhart, IN (US)

(73) Assignee: **FOREST RIVER, INC.**, Elkhart, IN  
(US)

(\*\*) Term: **15 Years**

(21) Appl. No.: **29/550,949**

(22) Filed: **Jan. 8, 2016**

(51) **LOC (10) Cl.** ..... **12-08**

(52) **U.S. Cl.**  
USPC ..... **D12/181**

(58) **Field of Classification Search**  
USPC ..... D12/181, 191, 196, 400, 190, 88  
CPC ..... B60R 13/04; B60R 13/02  
See application file for complete search history.

(56) **References Cited**

**U.S. PATENT DOCUMENTS**

D599,647 S \* 9/2009 Cubides ..... D8/373  
D683,677 S \* 6/2013 Varga ..... D12/181  
D716,204 S \* 10/2014 Butterworth ..... D12/181  
D721,310 S \* 1/2015 Ito ..... D12/181  
D722,929 S \* 2/2015 Hatter ..... D12/181  
D731,935 S \* 6/2015 Robinson ..... D12/181

**OTHER PUBLICATIONS**

“A Genuine Classic R-Pod By Forest River”, R-Pod Division,  
Forest River Inc., pp. 1-8, 2015.

\* cited by examiner

*Primary Examiner* — Katrina A Betton

(74) *Attorney, Agent, or Firm* — Taft Stettinius &  
Hollister LLP; Stephen F. Rost

(57) **CLAIM**

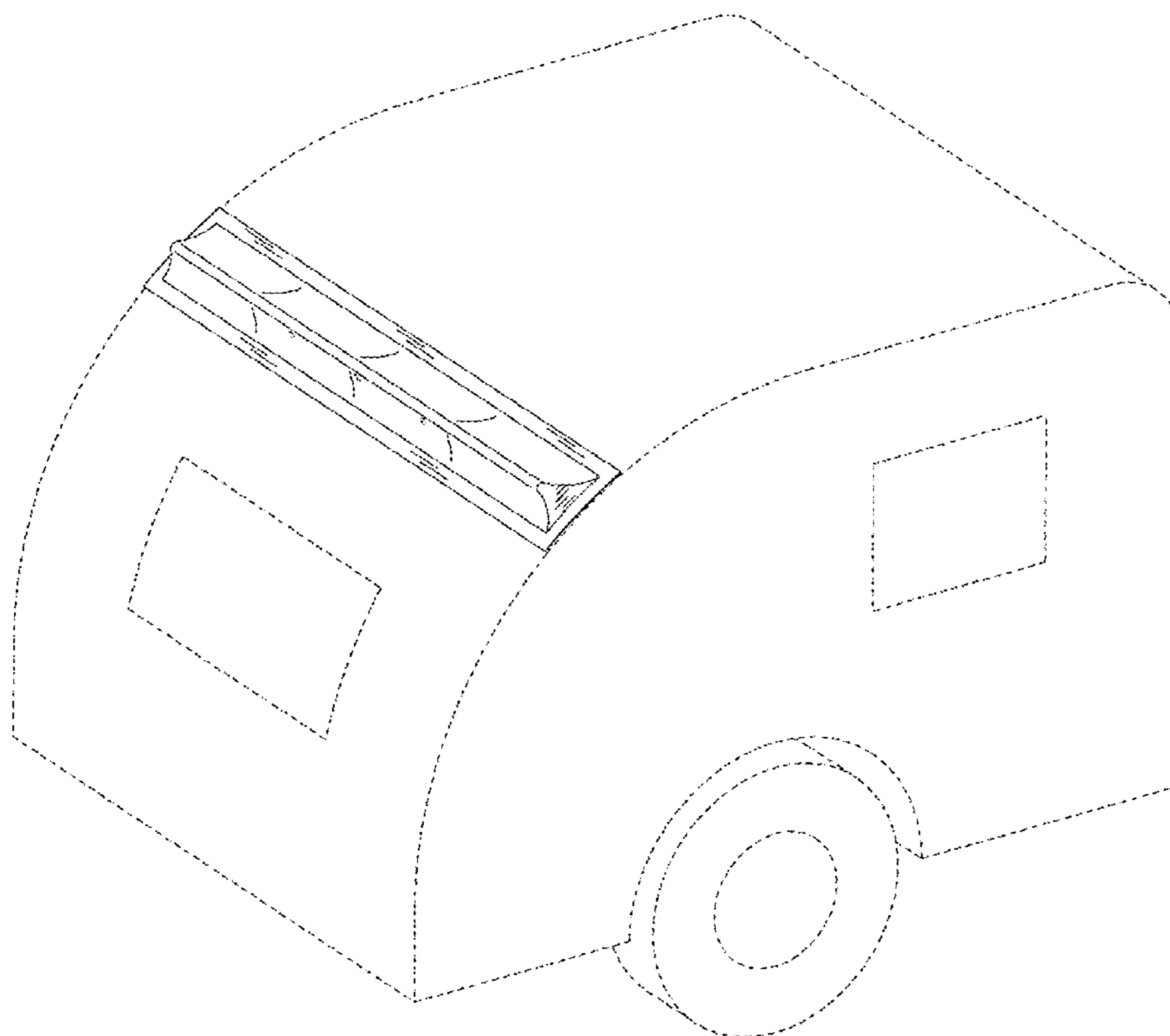
The ornamental design for a rear spoiler for a vehicle, as  
shown and described.

**DESCRIPTION**

FIG. 1 is a perspective view of a rear spoiler for a vehicle  
shown in environmental use according to the present design;  
FIG. 2 is a front view thereof;  
FIG. 3 is a rear view thereof;  
FIG. 4 is a right side view thereof;  
FIG. 5 is a top view thereof; and,  
FIG. 6 is a bottom view thereof.

The broken lines shown represent unclaimed subject matter  
and form no part of the claimed design.

**1 Claim, 3 Drawing Sheets**



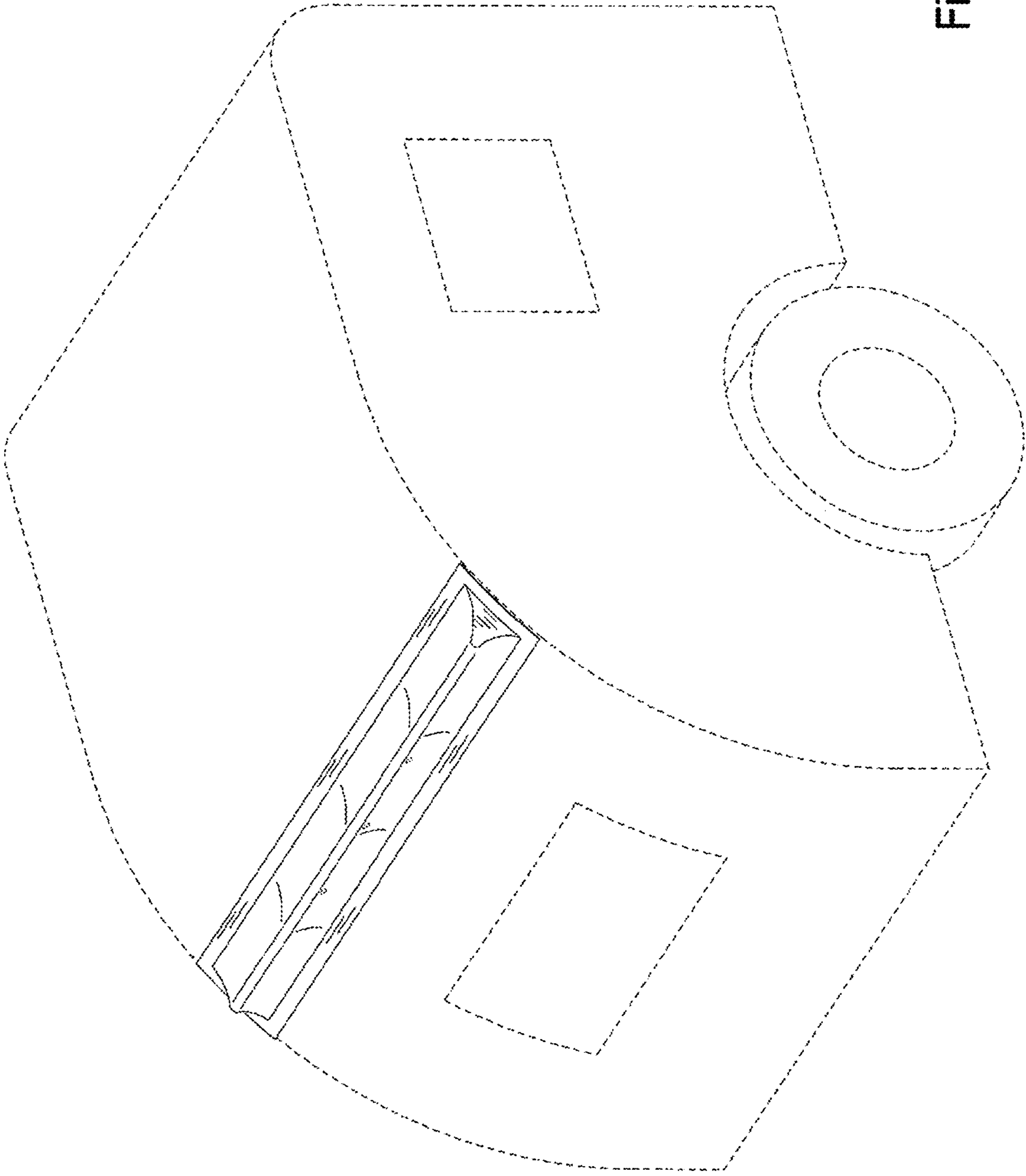


Fig. 1

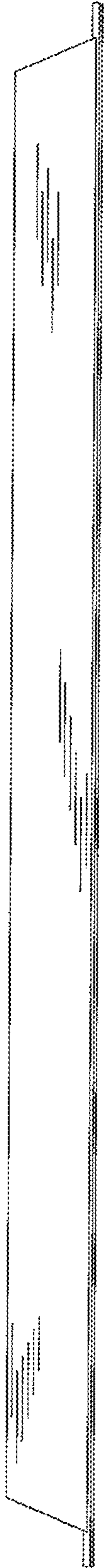


Fig. 2

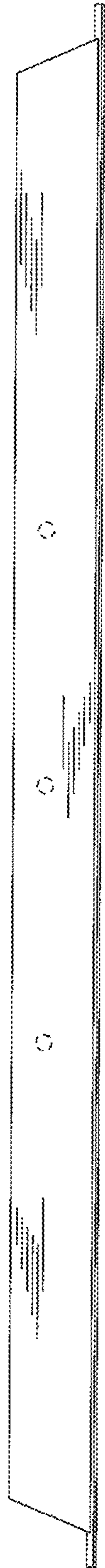


Fig. 3



Fig. 4

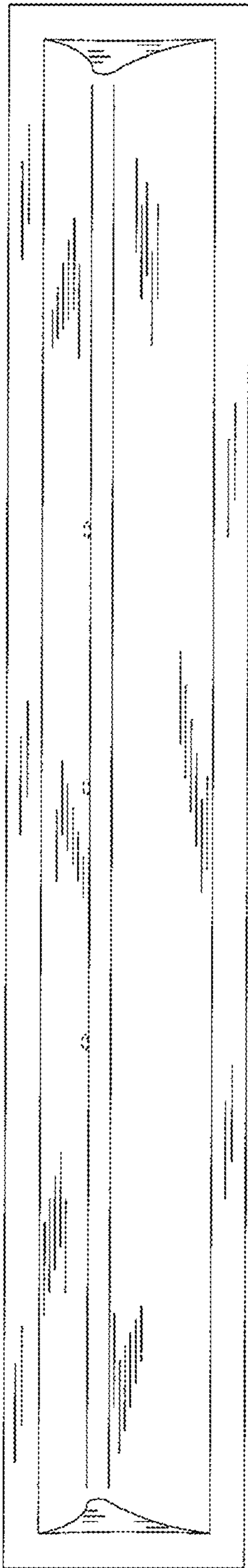


Fig. 5

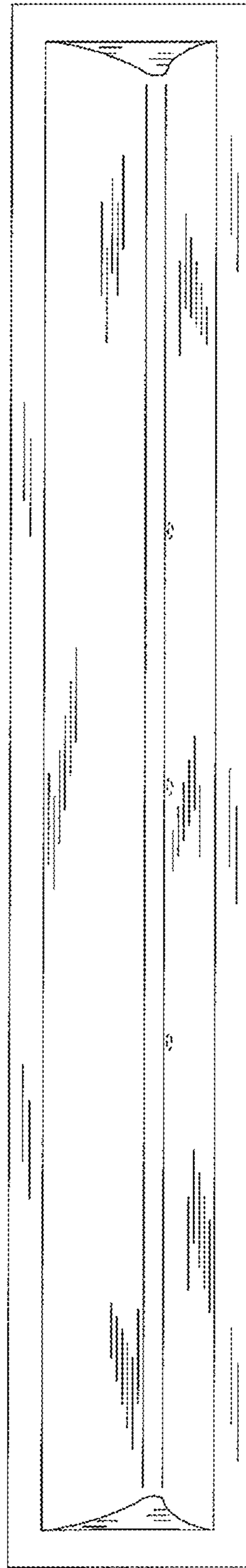


Fig. 6