



US00D782374S

(12) **United States Design Patent**
Wheel

(10) **Patent No.:** **US D782,374 S**

(45) **Date of Patent:** **** Mar. 28, 2017**

(54) **FRONT BUMPER**

(71) Applicant: **Jaguar Land Rover Limited**, Whitley,
Coventry (GB)

(72) Inventor: **Andrew Wheel**, Coventry (GB)

(73) Assignee: **Jaguar Land Rover Limited**, Whitley,
Coventry (GB)

(**) Term: **15 Years**

(21) Appl. No.: **29/527,443**

(22) Filed: **May 19, 2015**

(30) **Foreign Application Priority Data**

Feb. 19, 2015 (EM) 002637587-0002
Feb. 19, 2015 (EM) 002637587-0003

(51) **LOC (10) Cl.** **12-16**

(52) **U.S. Cl.**
USPC **D12/169**

(58) **Field of Classification Search**
USPC D12/169, 216, 90-92, 86, 171, 196, 163;
293/102, 113, 115, 117, 120; 296/180.1,
296/180.2
CPC .. B60R 19/52; B60R 2019/25; B62D 25/0845
See application file for complete search history.

(56) **References Cited**

U.S. PATENT DOCUMENTS

D705,706 S * 5/2014 Kawasaki D12/169
D706,171 S * 6/2014 Bischoff D12/91
D716,695 S * 11/2014 Woolley D12/91
D718,188 S * 11/2014 Wheel D12/91
D718,681 S * 12/2014 Allen D12/169
D730,788 S * 6/2015 Howell D12/169
D735,610 S * 8/2015 Wheel D12/91

D736,683 S * 8/2015 Glover D12/169
D747,242 S * 1/2016 Frascella D12/169
D749,468 S * 2/2016 Frascella D12/169
D749,474 S * 2/2016 Battams D12/169
D753,557 S * 4/2016 Frascella D12/169

* cited by examiner

Primary Examiner — Melody N Brown

(74) *Attorney, Agent, or Firm* — Wood Herron & Evans
LLP

(57) **CLAIM**

The ornamental design for a front bumper, as shown and
described.

DESCRIPTION

FIG. 1 is a right, front perspective view of a front bumper for
a vehicle according to the present invention.

FIG. 2 is a left, rear perspective view of the front bumper
shown in FIG. 1.

FIG. 3 is a front view thereof.

FIG. 4 is a rear view thereof.

FIG. 5 is a left side view thereof.

FIG. 6 is a right side view thereof.

FIG. 7 is a top view thereof; and,

FIG. 8 is another right, front perspective view of the front
bumper shown in FIG. 1, with the front bumper mounted on
a vehicle shown in de-emphasized and half-tone portions so
as to illustrate environmental structures for the vehicle front.
These portions form no part of the claimed invention. More
particularly, in FIG. 8, the front bumper of the present
invention is shown within the broken lines and any elements
shown outside of the broken lines form no part of the
claimed invention, but are instead included to show envi-
ronmental aspects of the claimed invention.

1 Claim, 7 Drawing Sheets

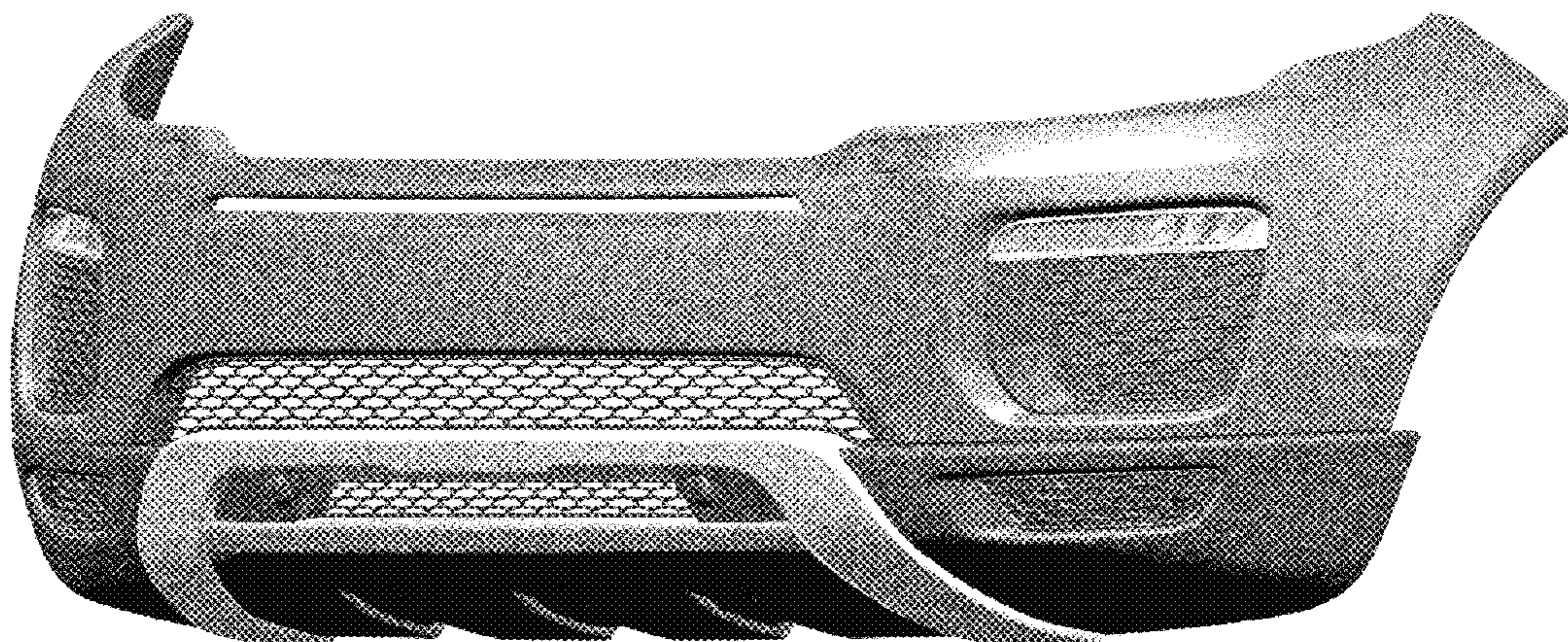




FIG. 1



FIG. 2

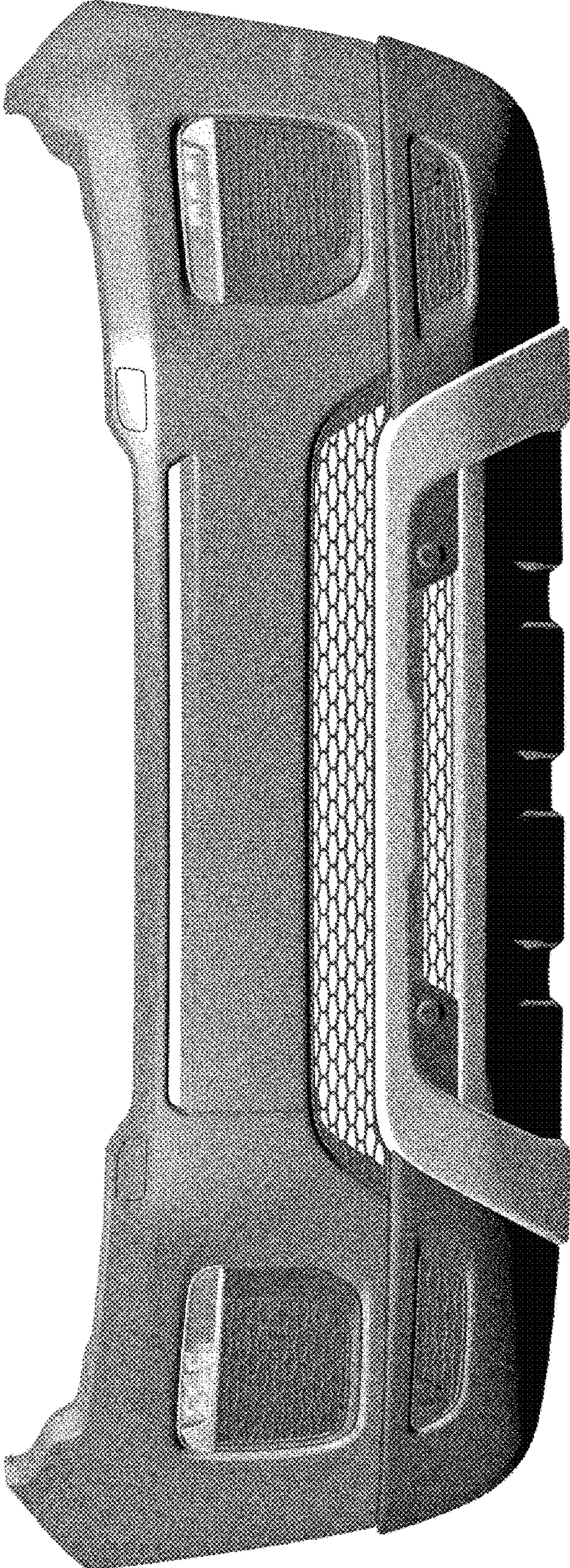


FIG. 3

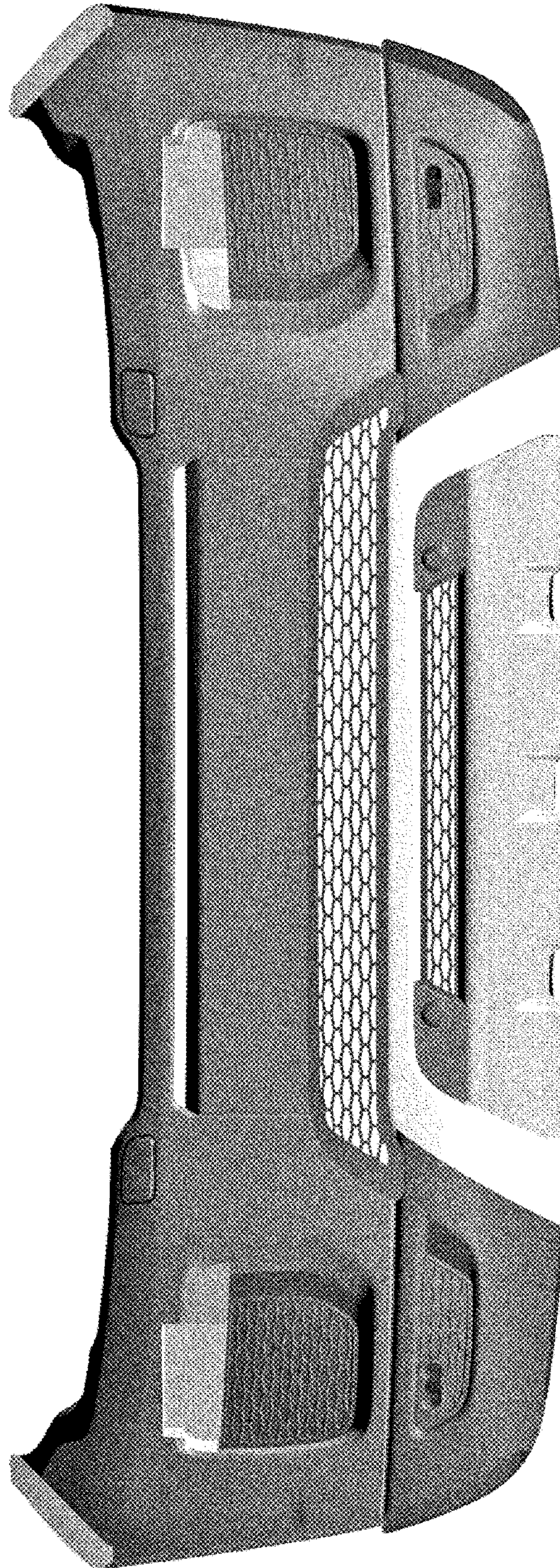


FIG. 4

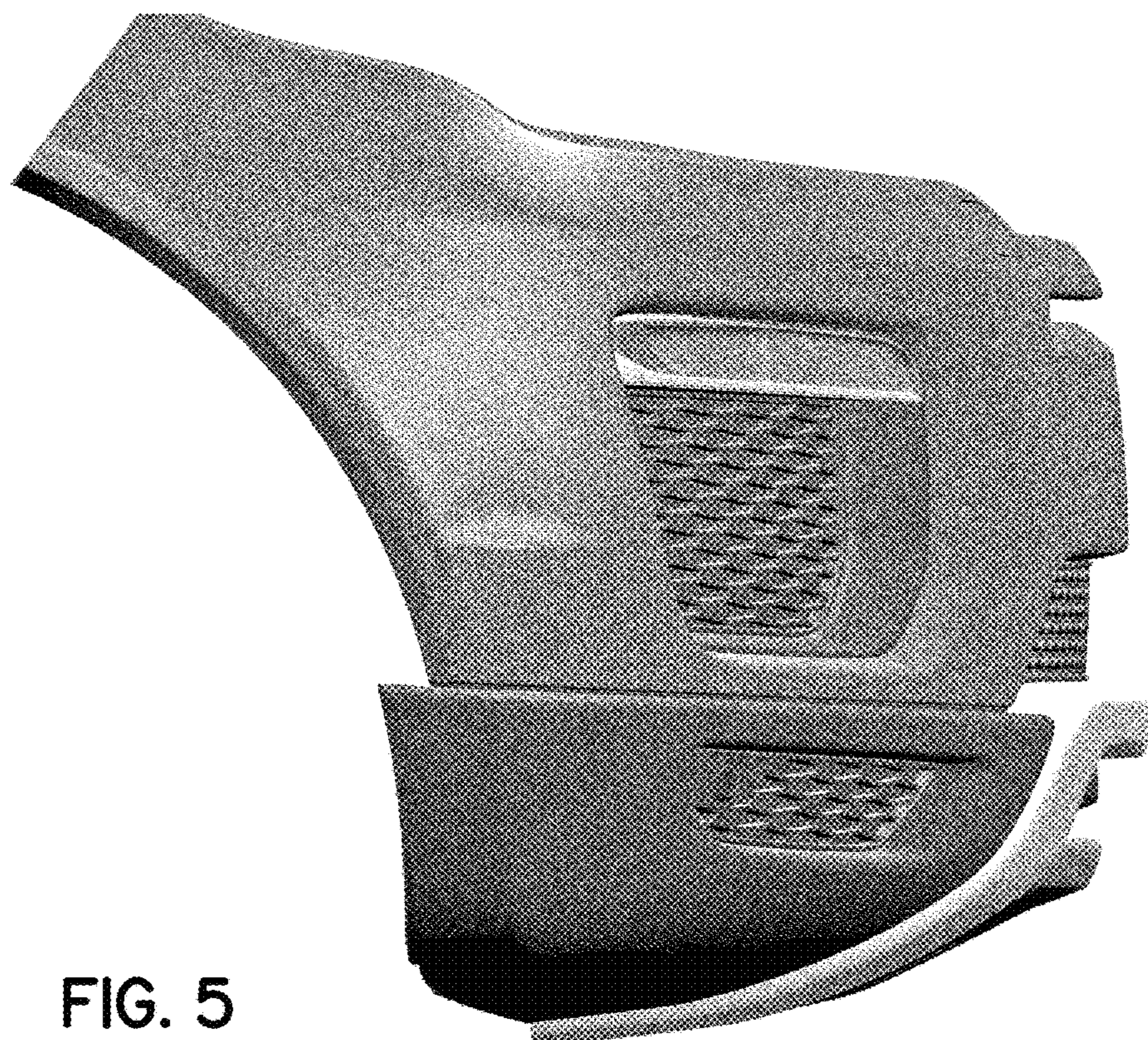


FIG. 5

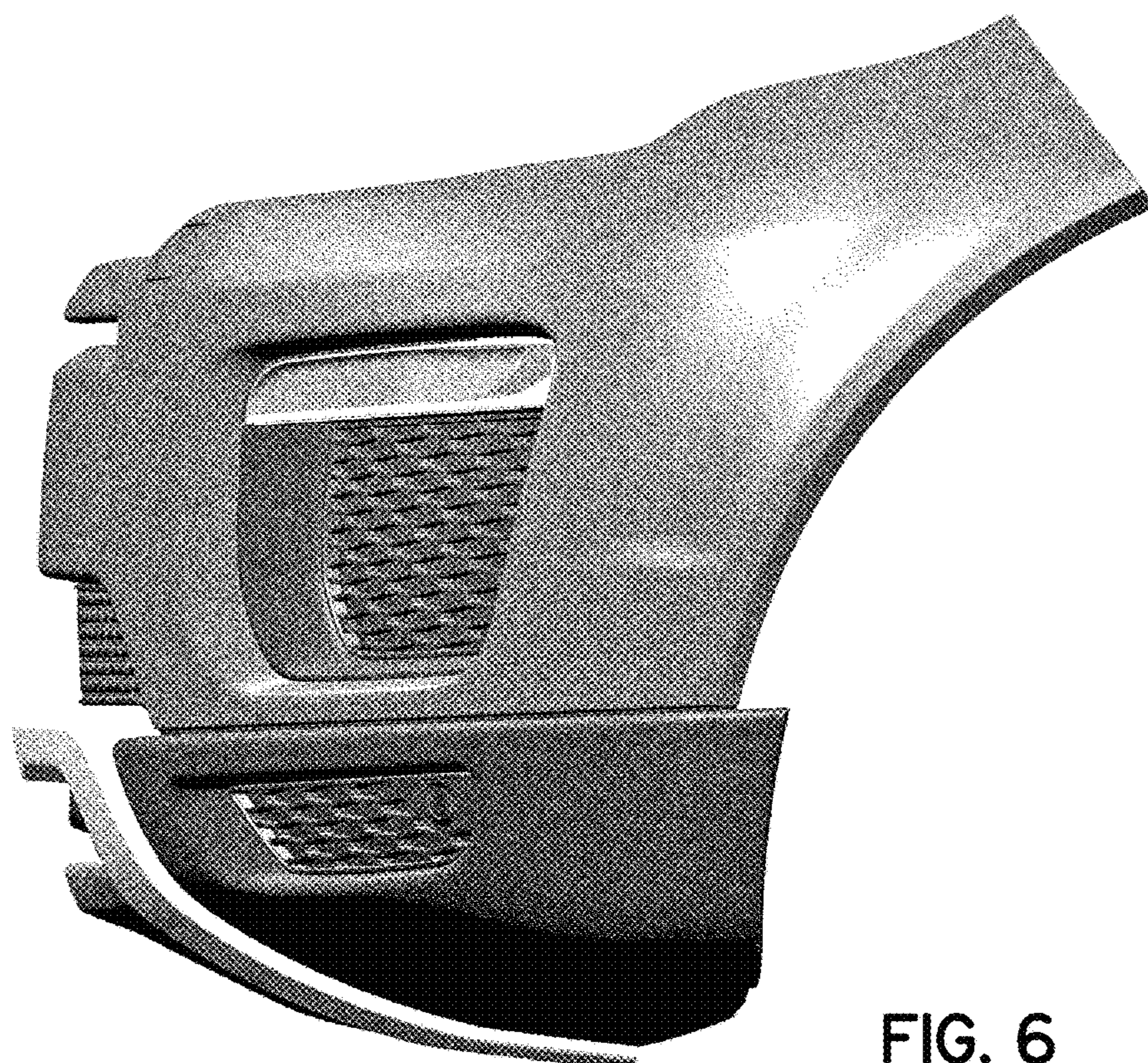


FIG. 6

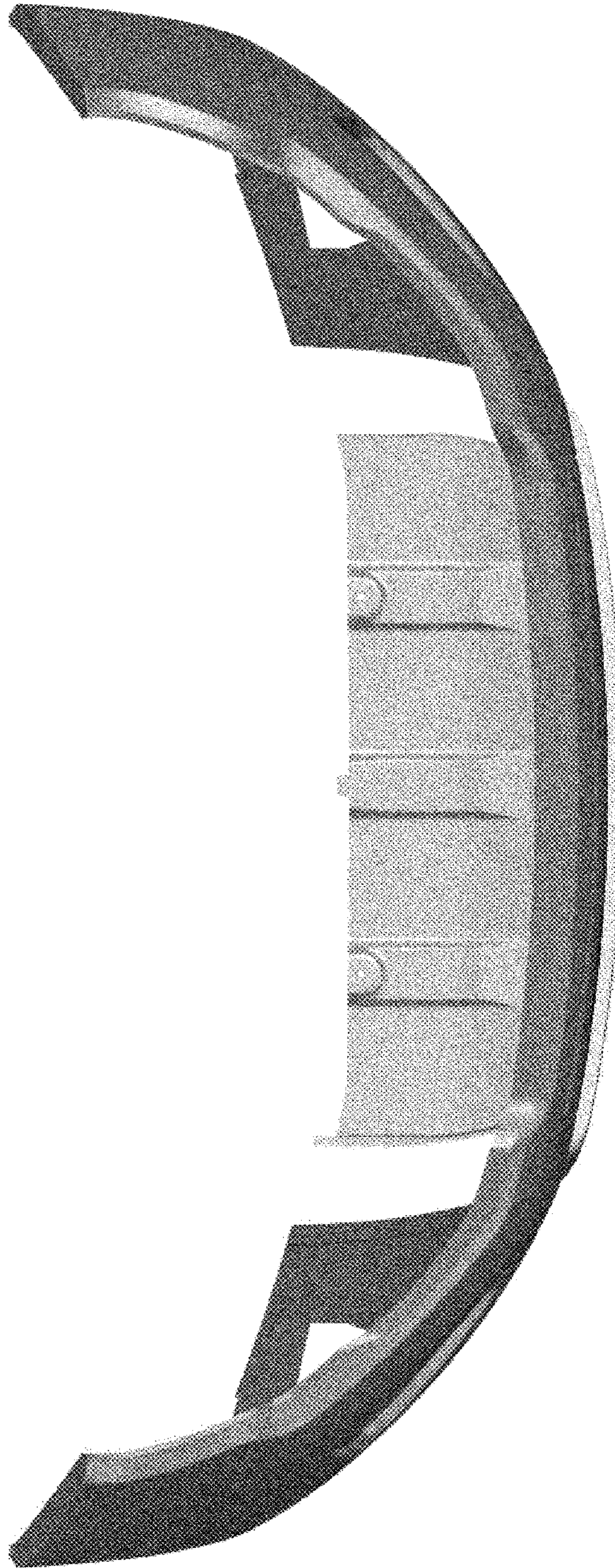


FIG. 7

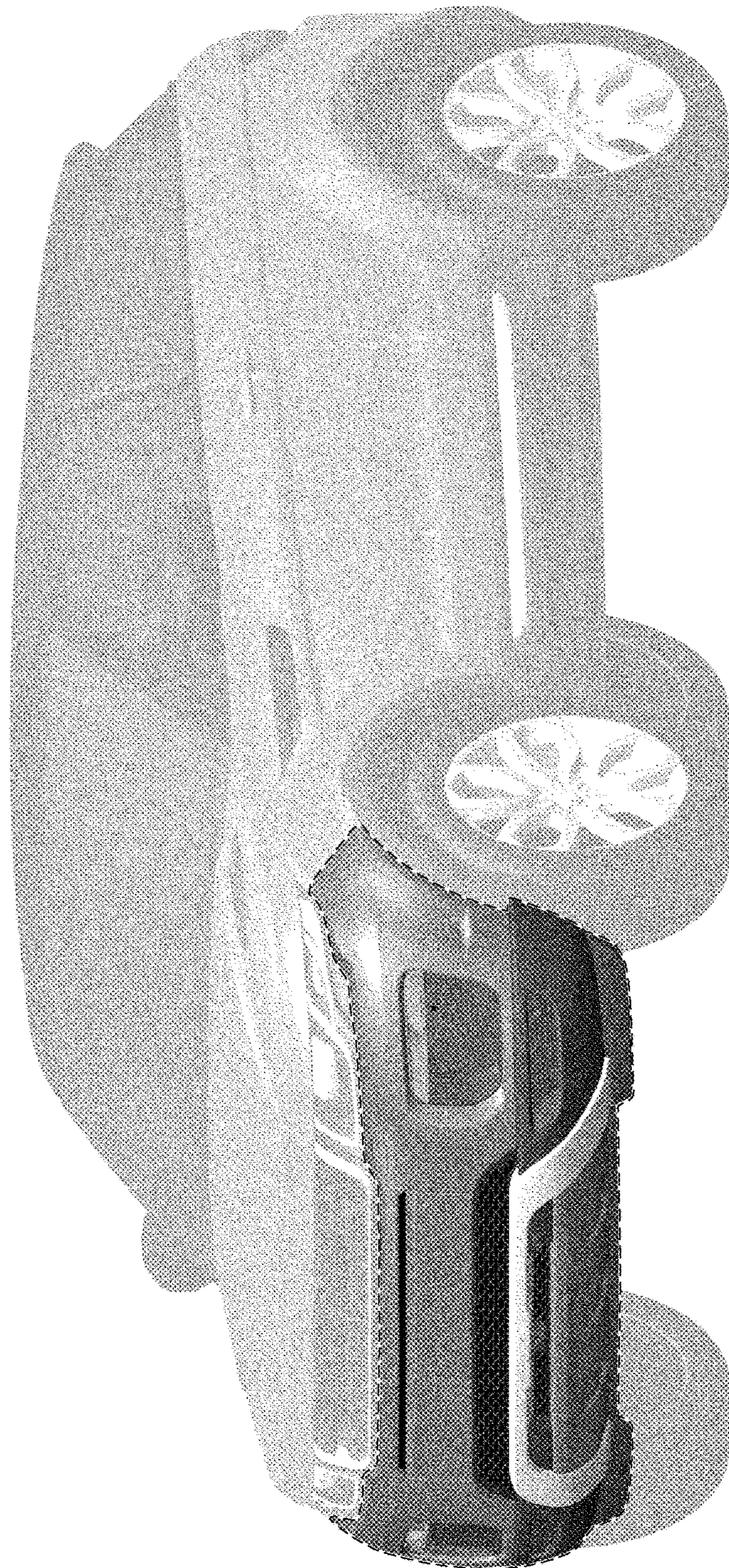


FIG. 8