



US00D782372S

(12) **United States Design Patent** (10) **Patent No.:** **US D782,372 S**
Eddy et al. (45) **Date of Patent:** **** Mar. 28, 2017**

(54) **CHASSIS FOR A WHEELCHAIR** 5,560,627 A * 10/1996 Zatulovsky A61G 5/00
280/42
(71) Applicant: **Medline Industries, Inc.**, Mundelein, IL (US) 5,590,893 A 1/1997 Robinson et al.
D427,949 S * 7/2000 Schlangen D12/128
6,092,822 A 7/2000 Salmon
6,345,835 B1 2/2002 Watkins
(72) Inventors: **Zach Eddy**, Chicago, IL (US); 6,464,243 B2 10/2002 Roche
Nicodemus Winata, Hoffman Estates, IL (US); **Maggie Andersen**, Chicago, IL (US) 6,886,843 B1 5/2005 Papac
7,077,422 B2 7/2006 Haury
7,451,992 B2 11/2008 Willis
(Continued)

(73) Assignee: **Medline Industries, Inc.**, Northfield, IL (US)

(**) Term: **14 Years**

(21) Appl. No.: **29/506,779**

(22) Filed: **Oct. 20, 2014**

Related U.S. Application Data

(63) Continuation of application No. 14/518,641, filed on Oct. 20, 2014.

(51) **LOC (10) Cl.** **12-12**

(52) **U.S. Cl.**
USPC **D12/131**

(58) **Field of Classification Search**
USPC D12/128-133
CPC A61G 5/00-5/14
See application file for complete search history.

(56) **References Cited**

U.S. PATENT DOCUMENTS

3,838,869 A 10/1974 Falkenberg
4,392,690 A 7/1983 Anderson
4,474,385 A 10/1984 Costello
4,648,619 A 3/1987 Jungnell
4,993,732 A 2/1991 Wedemeyer
5,188,383 A 2/1993 Thompson
5,558,358 A * 9/1996 Johnson A61G 5/00
280/250.1

OTHER PUBLICATIONS

Stabley, Michael "NonFinal OA", U.S. Appl. No. 14/518,641, filed Oct. 20, 2014; Mailed Dec. 17, 2015.

(Continued)

Primary Examiner — Charles Hanson

(74) *Attorney, Agent, or Firm* — Philip H. Burrus, IV

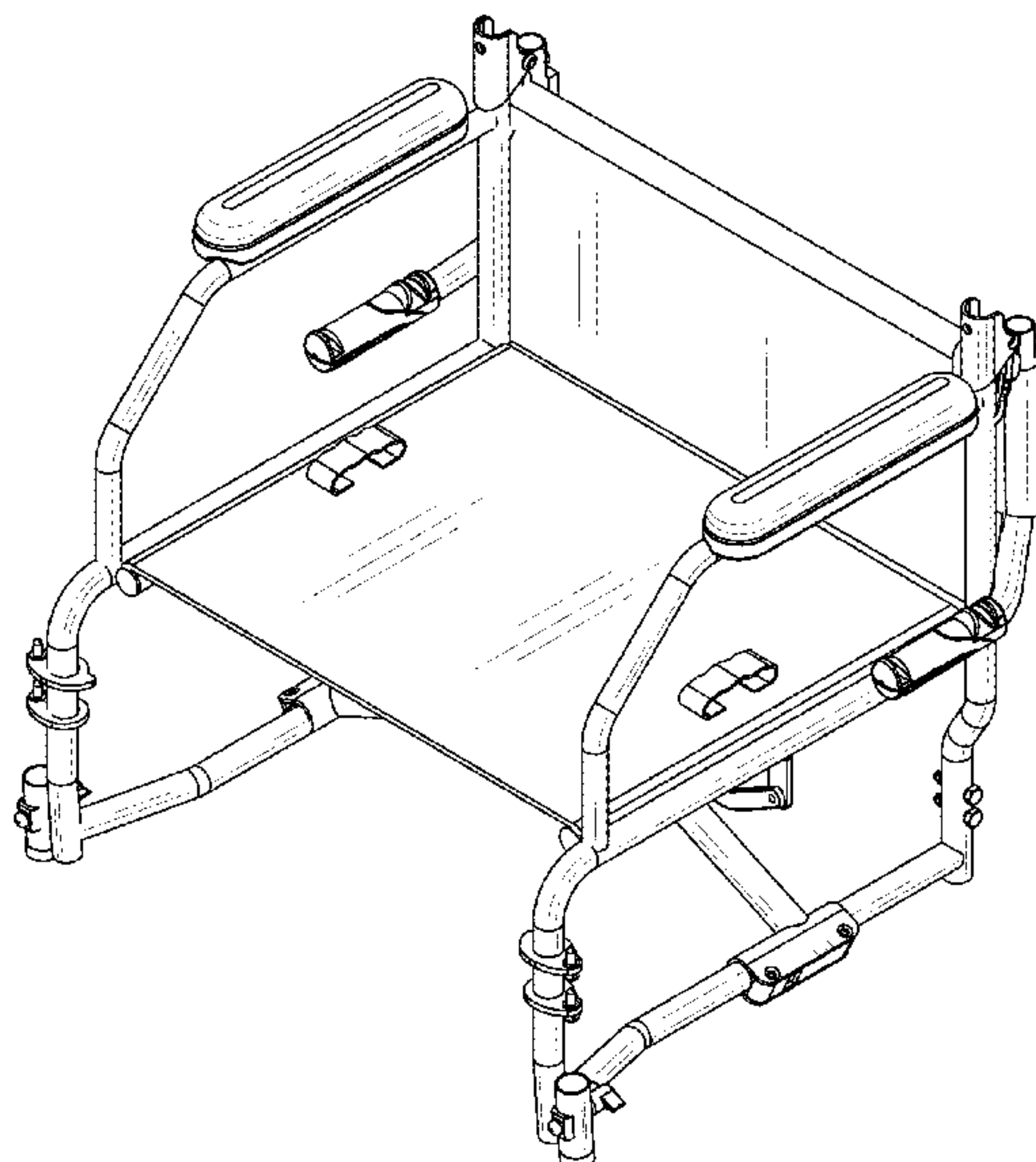
(57) **CLAIM**

The ornamental design for a chassis for a wheelchair, as shown and described.

DESCRIPTION

FIG. 1 is a shaded, front elevation view of a chassis for a wheelchair showing our new design; FIG. 2 is a rear elevation view thereof; FIG. 3 is a bottom plan view thereof; FIG. 4 is a top plan view thereof; FIG. 5 is a right side elevation view thereof; FIG. 6 is a left side elevation view thereof; FIG. 7 is a first perspective view thereof; and, FIG. 8 is a second perspective view thereof. The broken line showing is included for the purpose of illustrating unclaimed subject matter and forms no part of the claimed design.

1 Claim, 8 Drawing Sheets



(56)

References Cited

U.S. PATENT DOCUMENTS

7,537,237	B2	5/2009	Chung et al.	
7,669,881	B2	3/2010	Haury et al.	
D618,141	S *	6/2010	Chan	D12/131
D622,641	S *	8/2010	Chen	D12/131
D623,992	S *	9/2010	Derks	D12/131
D624,459	S *	9/2010	Jacobs	D12/131
D633,830	S *	3/2011	Derks	D12/131
D635,895	S *	4/2011	Jacobs	D12/131
8,186,701	B2	5/2012	Sim et al.	
8,434,775	B2	5/2013	Patmont et al.	
D699,160	S *	2/2014	Yang	D12/131
2007/0018426	A1 *	1/2007	Willis	A61G 5/08 280/304.1
2013/0075991	A1	3/2013	Satou	
2014/0035260	A1	2/2014	Helterbrand	
2015/0250667	A1	9/2015	Thompson	

OTHER PUBLICATIONS

Stabley, Michael R., "Final OA", U.S. Appl. No. 14/518,641, filed Oct. 20, 2014; Mailed Apr. 1, 2016.

Stabley Michael "Notice of Allowance", U.S. Appl. No. 14/518,641, filed Oct. 20, 2014; Mailed Jul. 14, 2016.

Stabley, Michael R "Notice of Allowance", U.S. Appl. No. 14/518,641, filed Oct. 20, 2014; Mailed Oct. 28, 2016.

"Medline Catalog", Bariatric Steel Transport Chairs by Drive/DeVilbiss Healthcare; Medline Catalog; <http://www.medline.com/catalog/catalog.jsp>; Unknown Publication date but believed to be prior to present application filing.

"Medline Catalog", Hybrid 2 Transport Wheelchair Chairs; Medline Catalog; <http://www.medline.com/catalog/catalog.jsp>; Unknown Publication date but believed to be prior to present application filed.

"Medline Catalog", Transport Chair by AliMed; Medline Catalog; <http://www.medline.com/catalog/catalog.jsp>; Unknown Publication date but believed to be prior to present application filed.

* cited by examiner

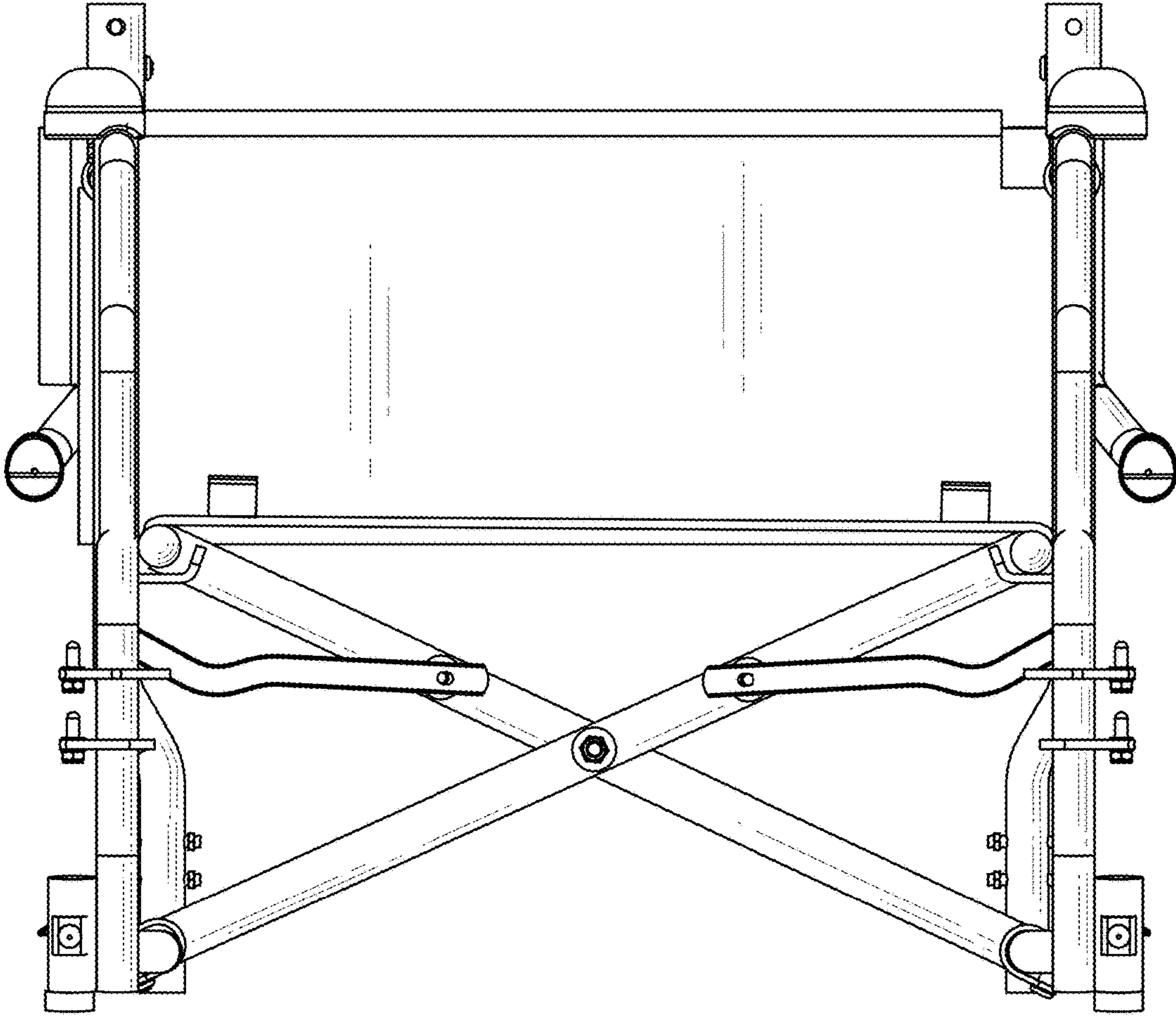


FIG. 1

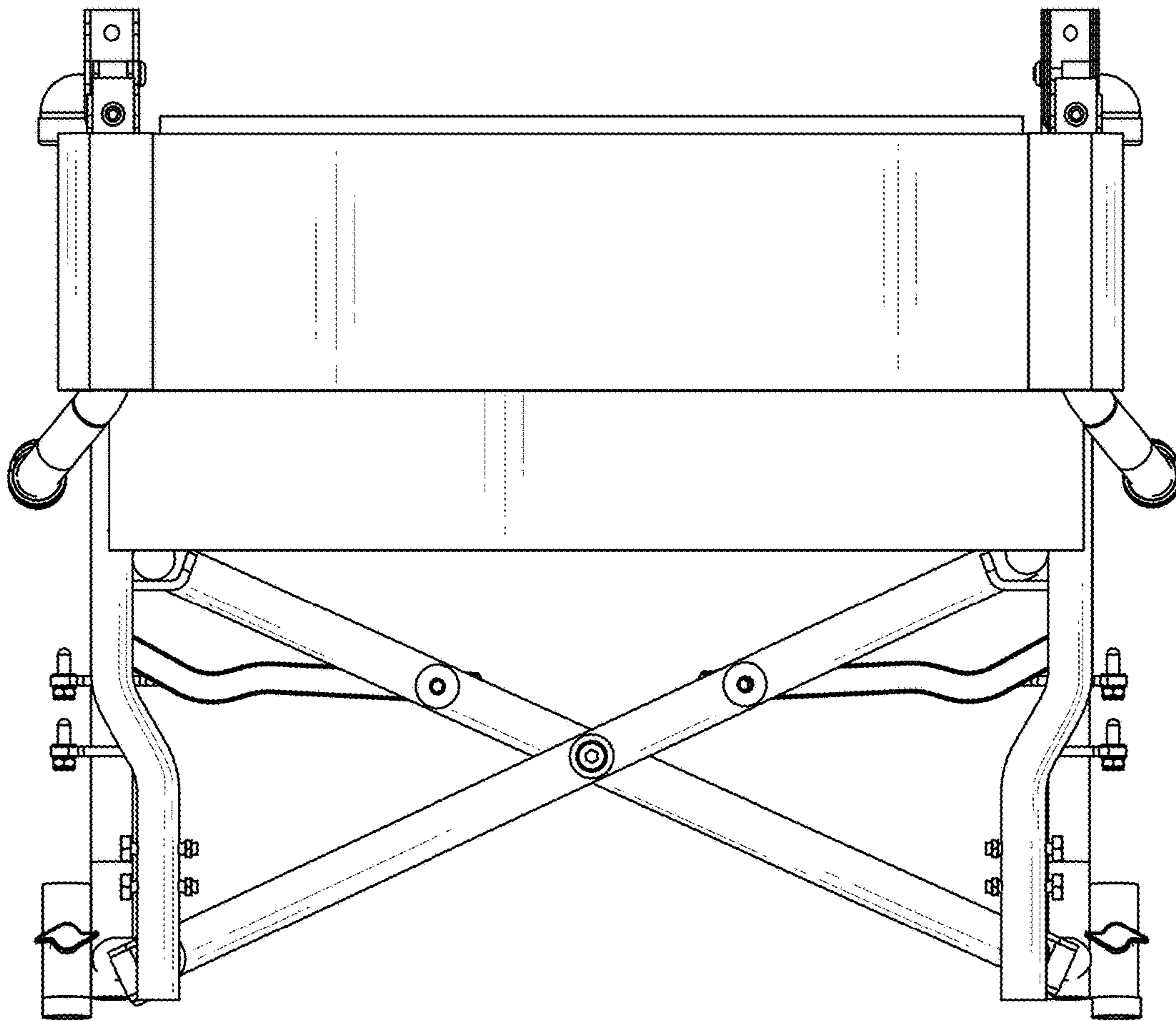


FIG. 2

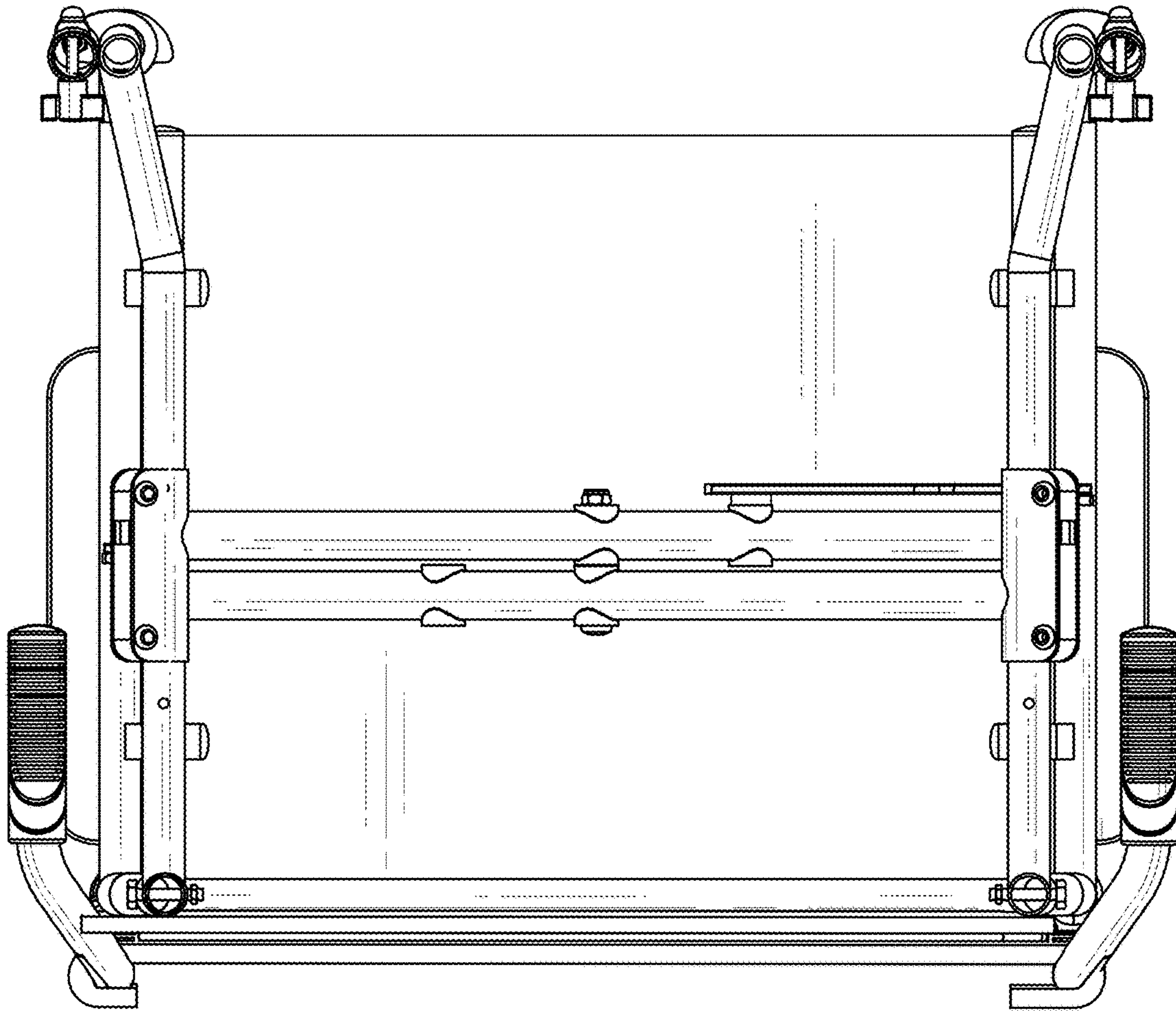


FIG. 3

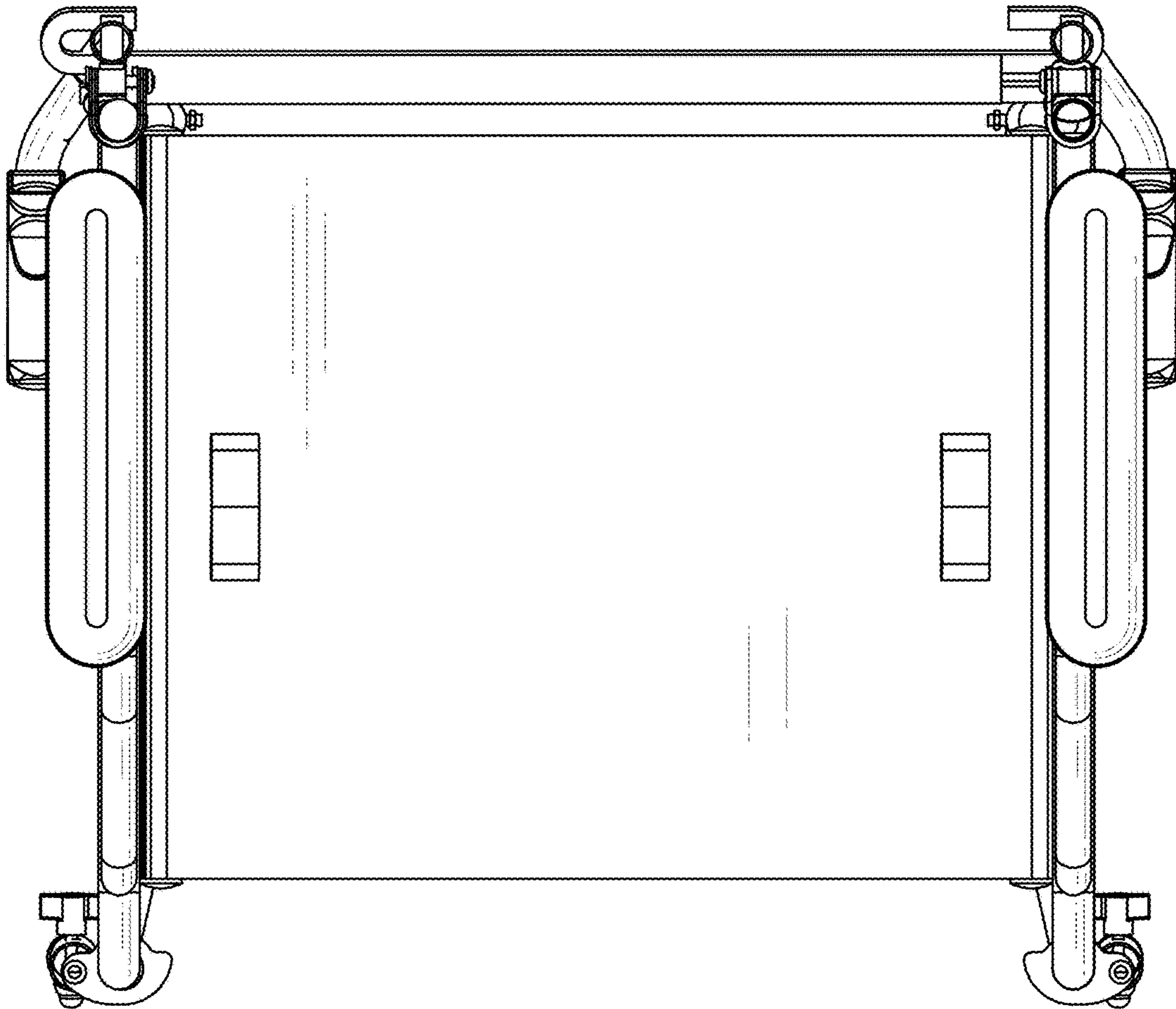


FIG. 4

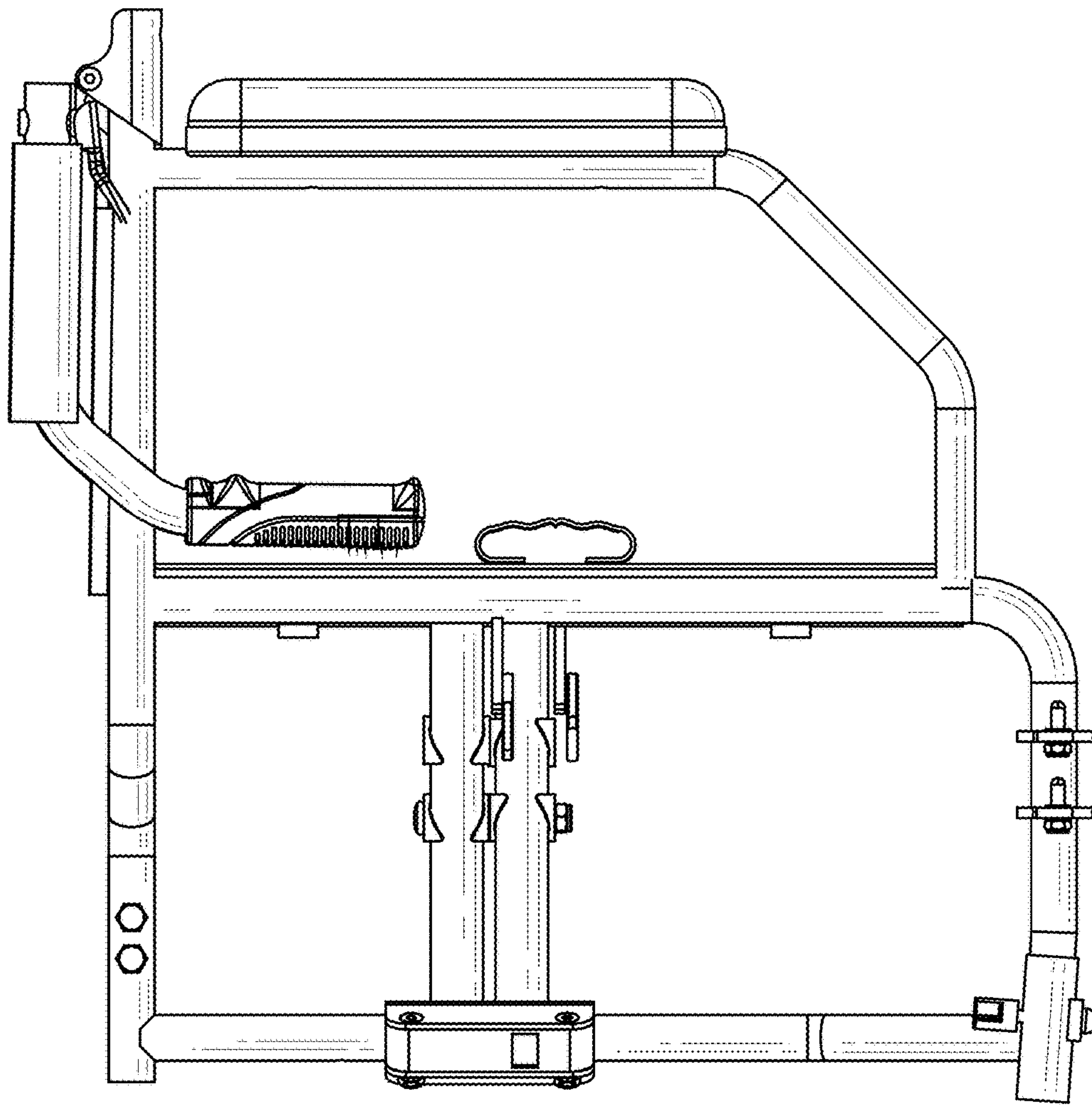


FIG. 5

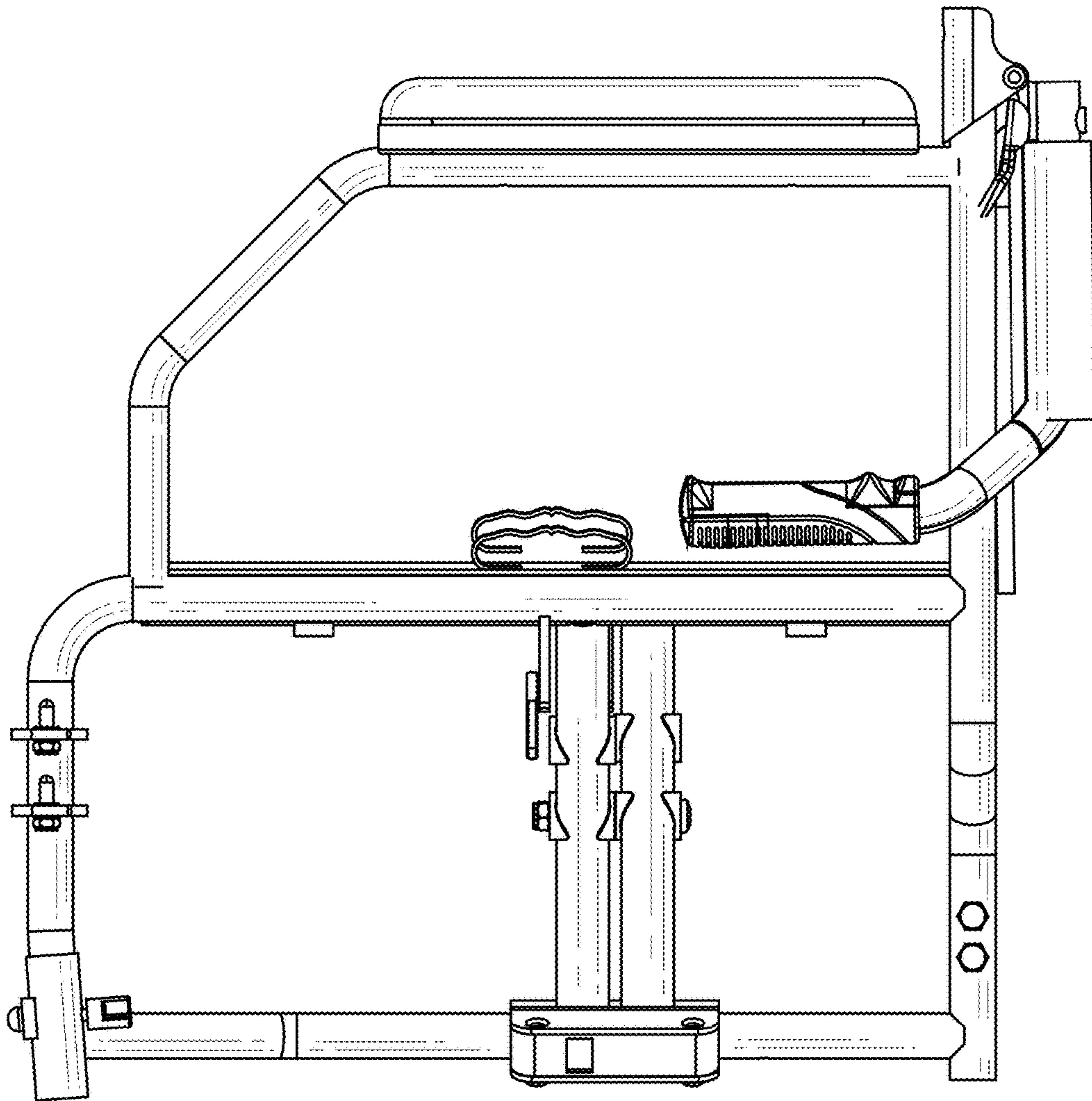


FIG. 6

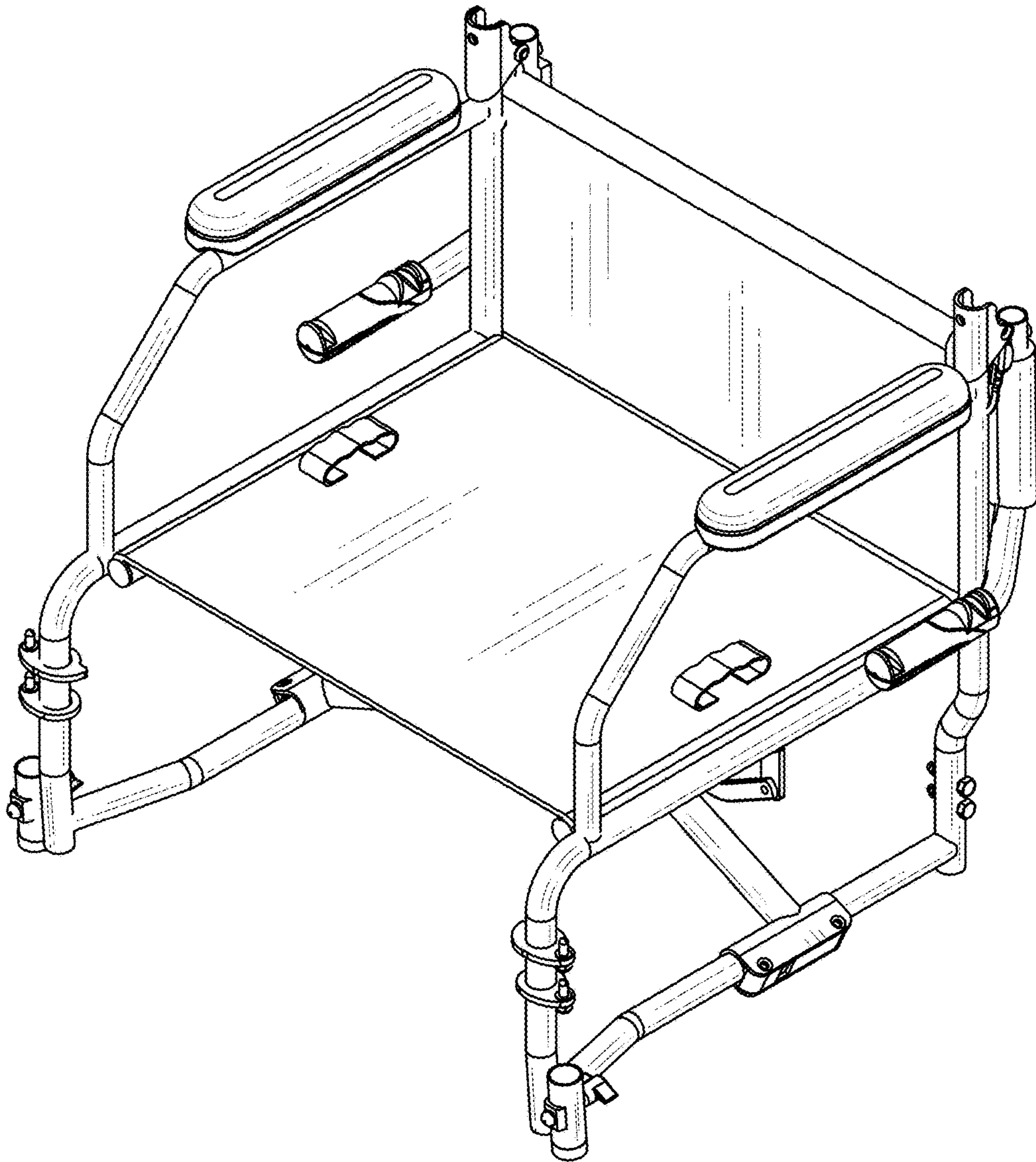


FIG. 7

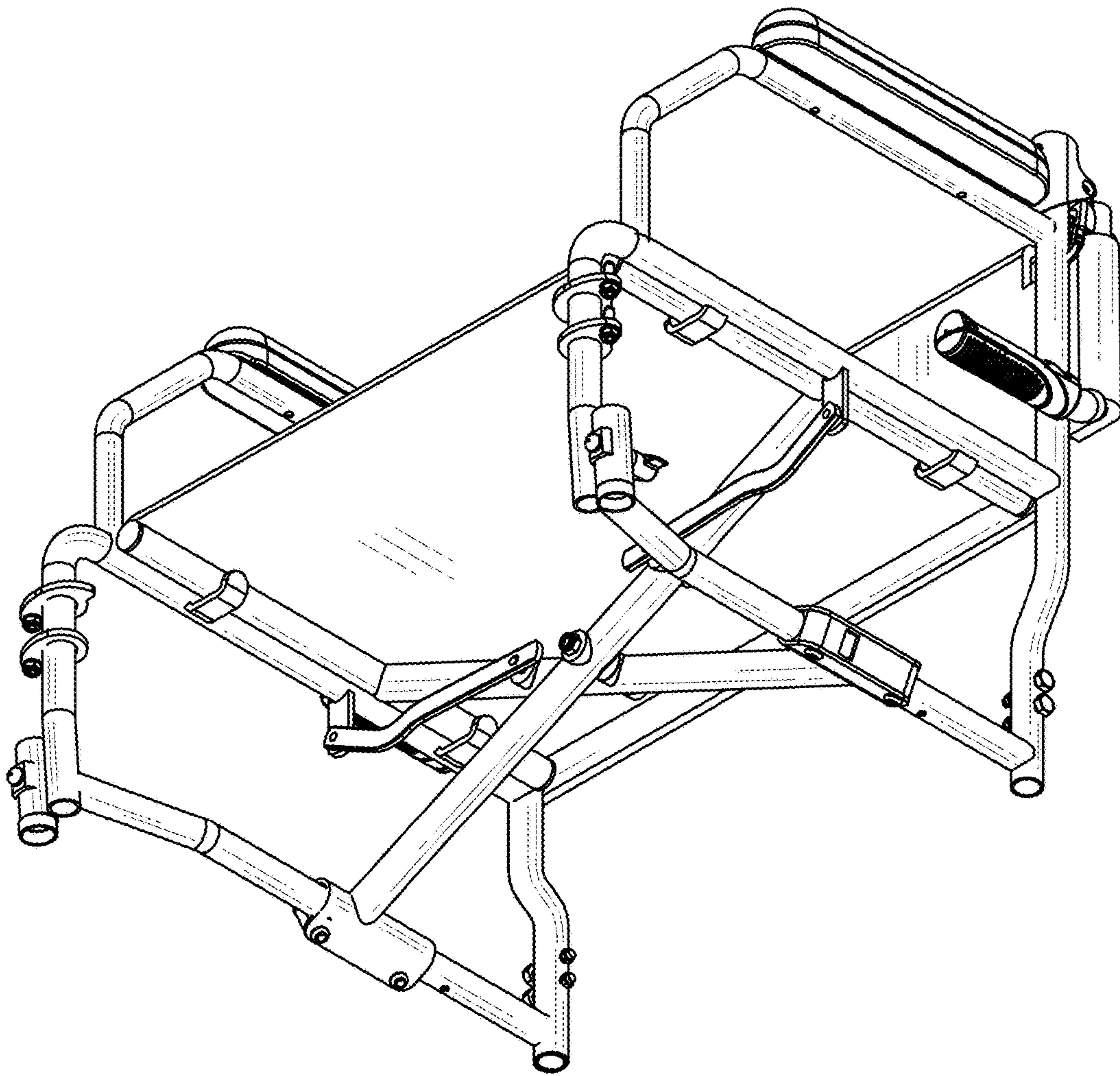


FIG. 8