



US00D782371S

(12) **United States Design Patent**
Clark

(10) **Patent No.:** **US D782,371 S**

(45) **Date of Patent:** **** Mar. 28, 2017**

(54) **STROLLER**

(71) Applicant: **Johnny Clark**, Clinton, TN (US)

(72) Inventor: **Johnny Clark**, Clinton, TN (US)

(**) Term: **15 Years**

(21) Appl. No.: **29/537,734**

(22) Filed: **Aug. 28, 2015**

(51) **LOC (10) Cl.** **12-12**

(52) **U.S. Cl.**
USPC **D12/129**

(58) **Field of Classification Search**
USPC D12/128-133; D6/331, 390-392
CPC B62B 7/00-7/04; B62B 9/00-9/28
See application file for complete search history.

(56) **References Cited**

U.S. PATENT DOCUMENTS

5,125,674	A *	6/1992	Manuszak	B62B 7/12	280/30
5,975,613	A *	11/1999	Sippel	B62B 9/145	296/77.1
7,625,033	B2 *	12/2009	Michelau	B62B 9/147	135/119
D699,063	S *	2/2014	Stitchick	D6/331	
8,657,304	B1 *	2/2014	Fredendall	B62B 3/144	280/33.993
9,027,941	B2 *	5/2015	Cimino	B62B 3/027	280/47.35

2009/0315300	A1 *	12/2009	Siba	B62B 7/10	280/648
2013/0038042	A1 *	2/2013	Cimino	B62B 3/027	280/651
2015/0251681	A1 *	9/2015	Castillo	B62B 9/26	108/27

* cited by examiner

Primary Examiner — Charles Hanson
(74) *Attorney, Agent, or Firm* — Gulf Coast Intellectual Property Group

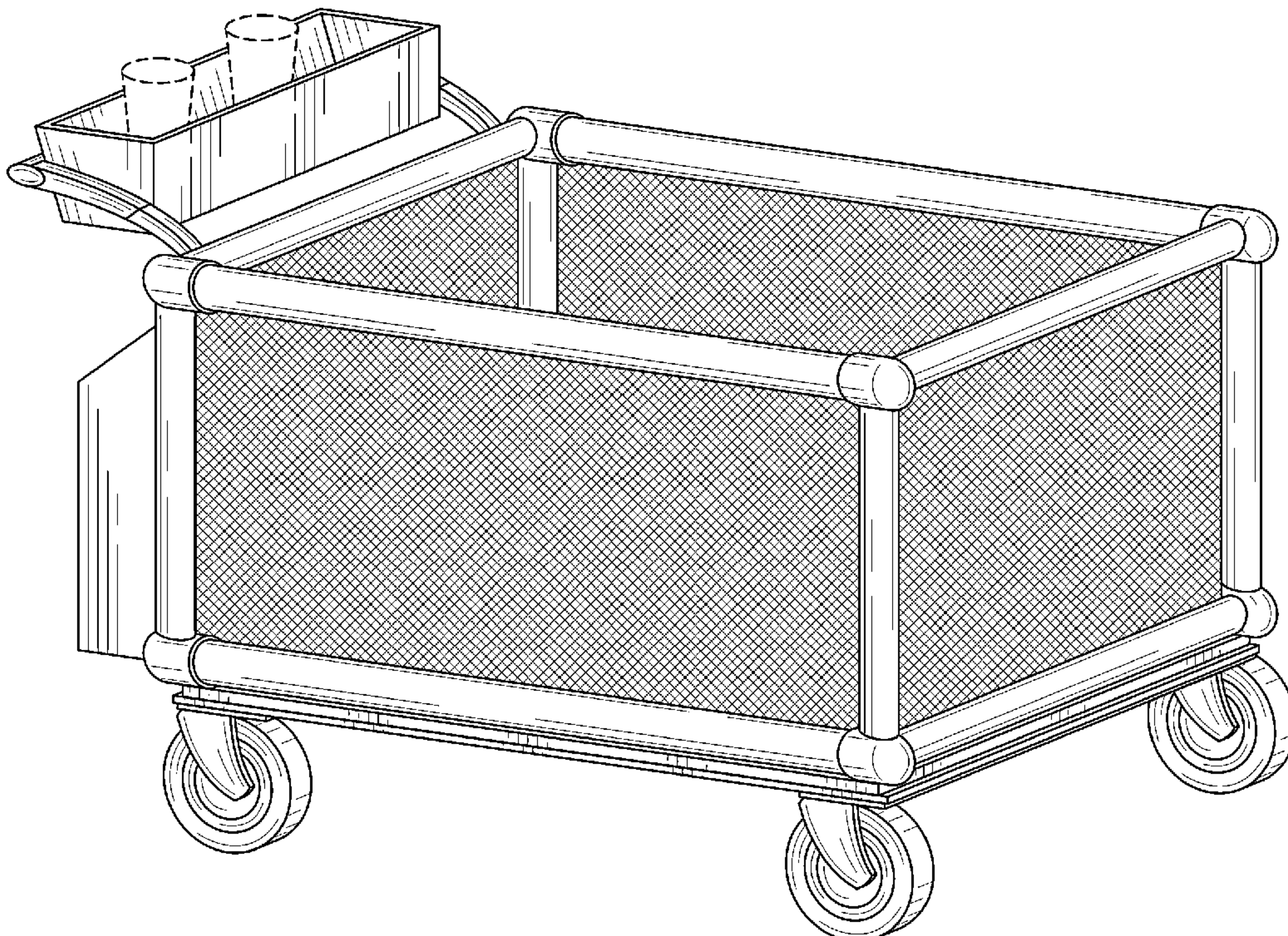
(57) **CLAIM**

The ornamental design for the stroller, as shown and described.

DESCRIPTION

FIG. 1 is a perspective view of the present invention in its stored position; and FIG. 2 is a right side view of the present invention; and FIG. 3 is a left side view of the present invention; and FIG. 4 is a front view of the present invention; and FIG. 5 is a rear view of the present invention; and, FIG. 6 is a top view of the present invention. Wherein the dotted lines herein show use and environment and form no part of the claimed design.

1 Claim, 4 Drawing Sheets



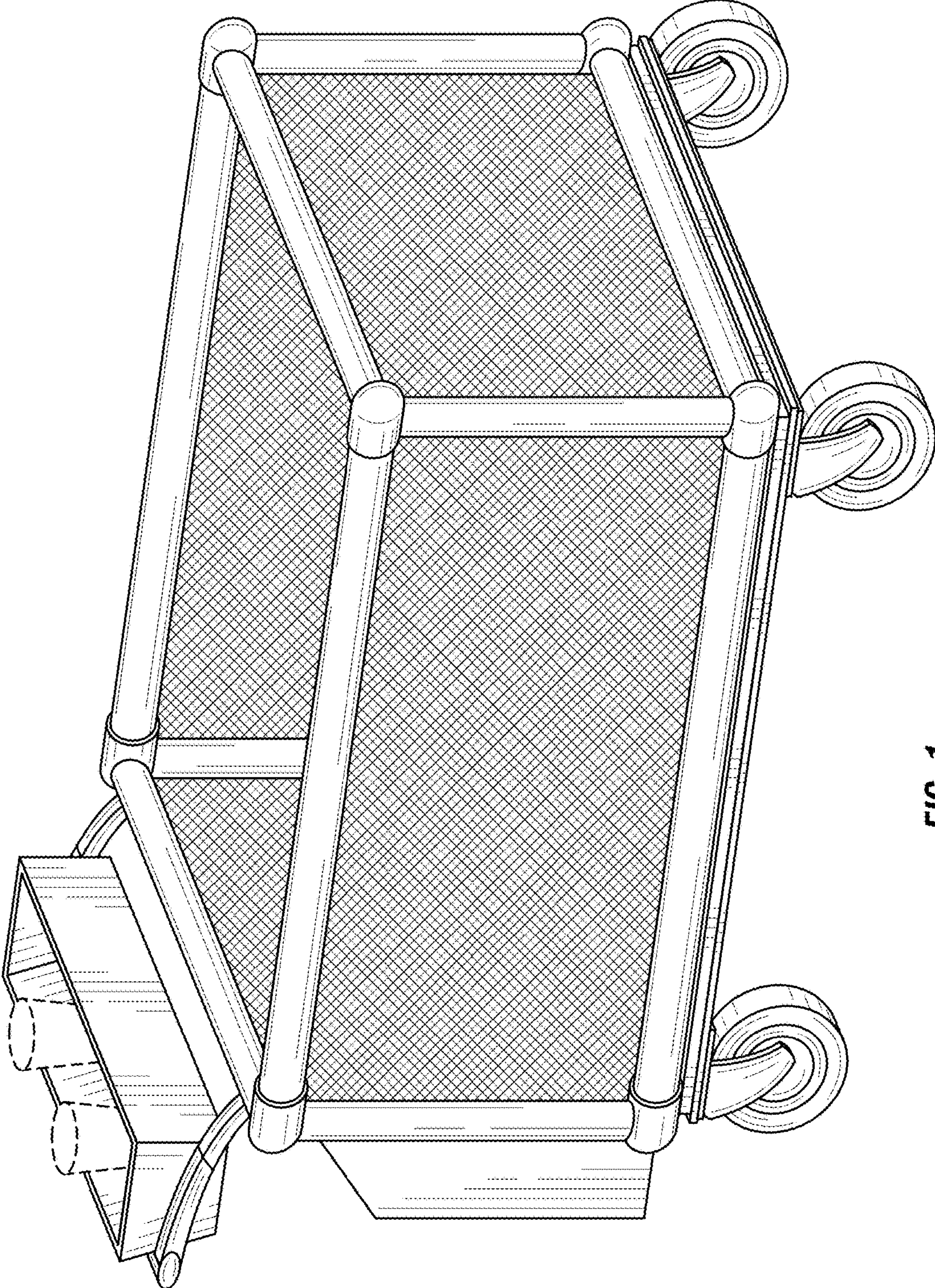


FIG. 1

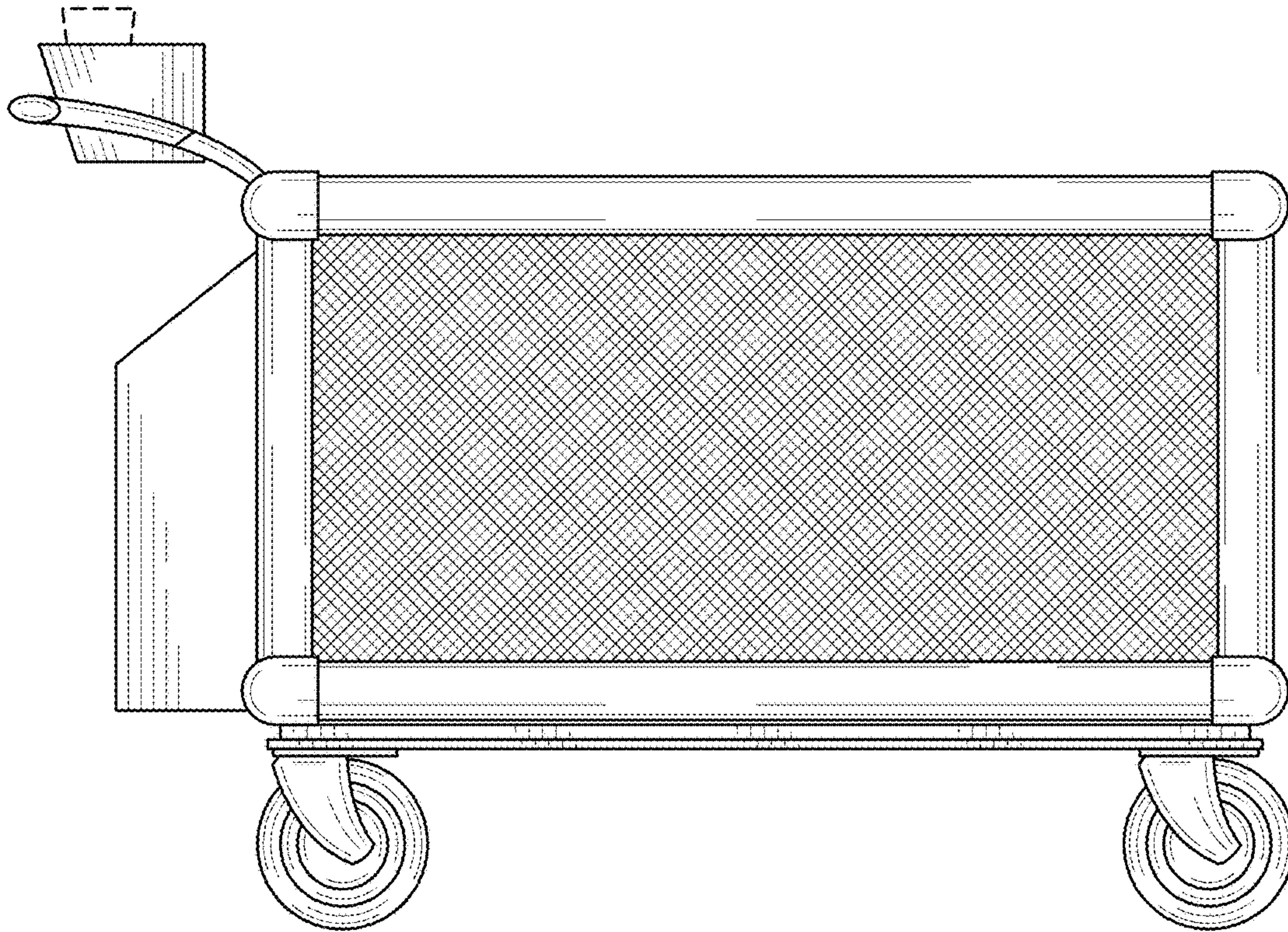


FIG. 2

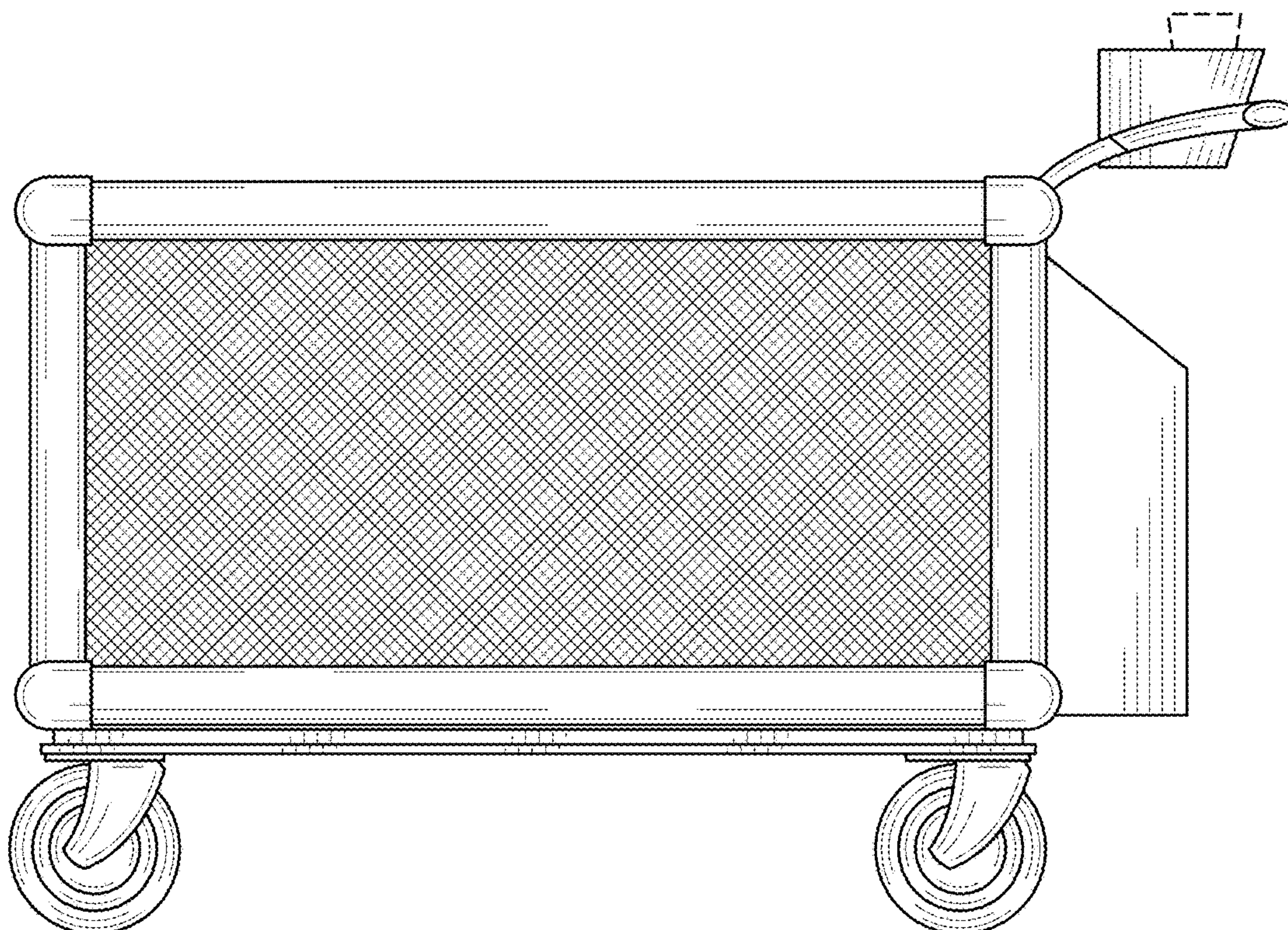


FIG. 3

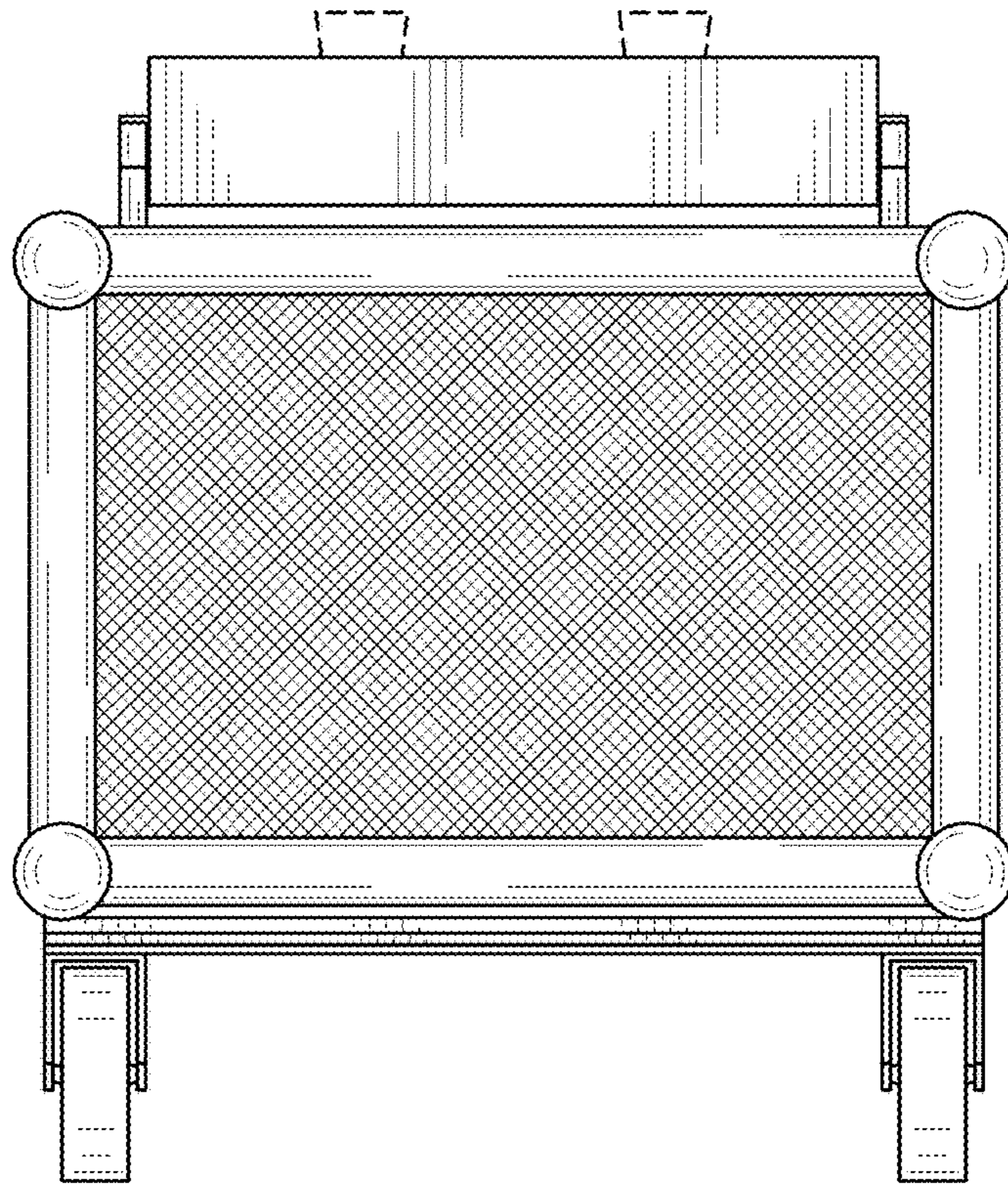


FIG. 4

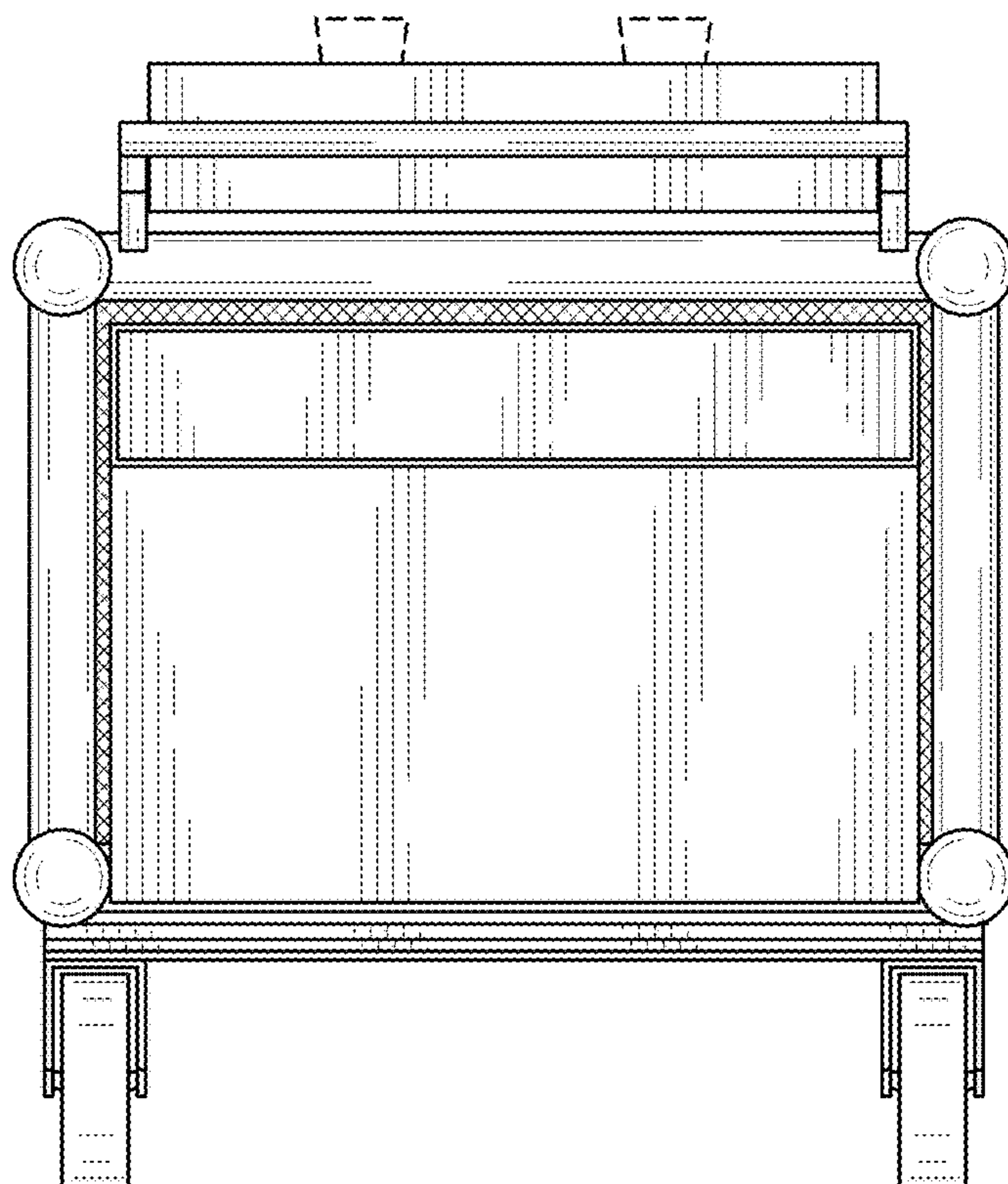


FIG. 5

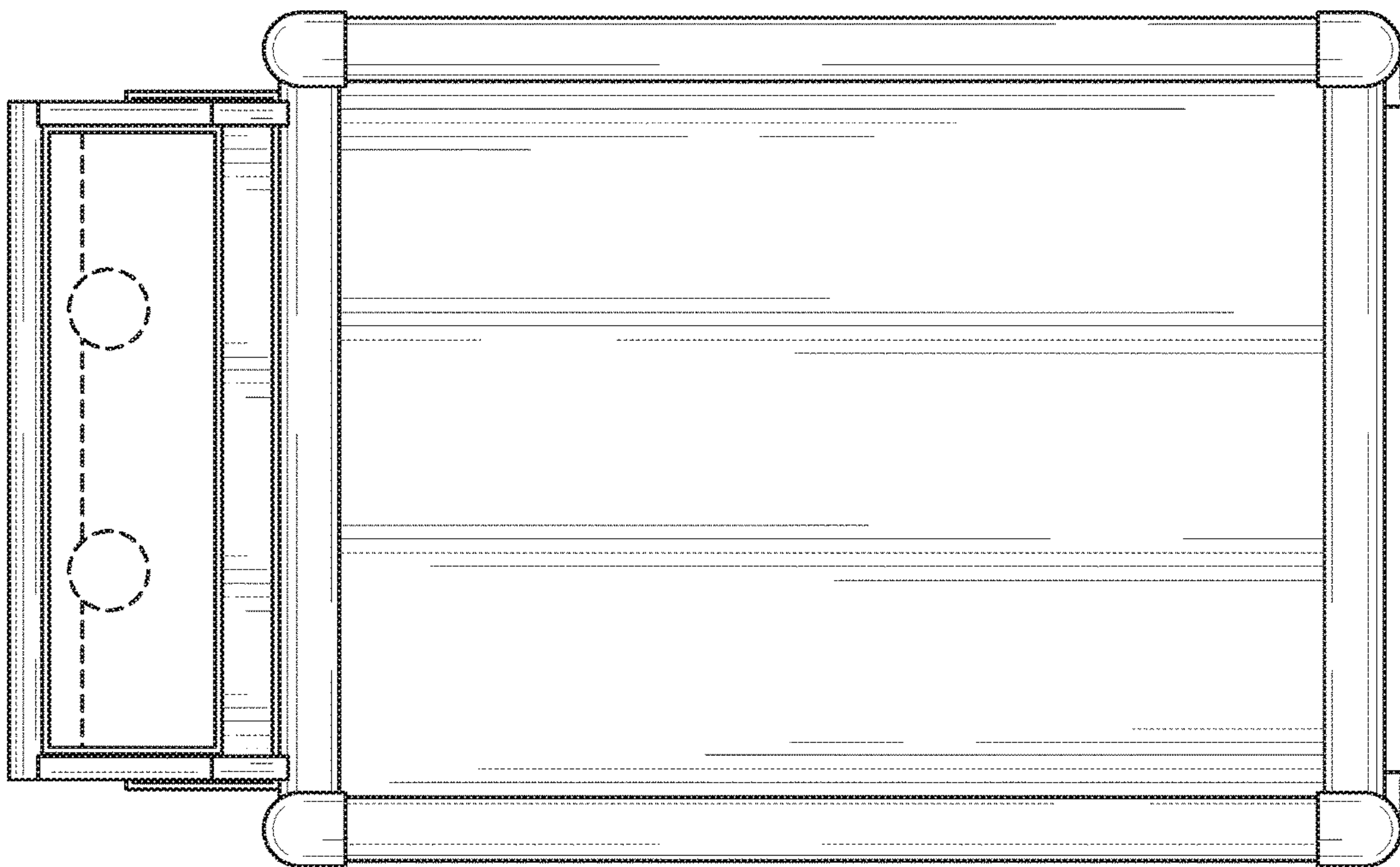


FIG. 6