



US00D782370S

(12) **United States Design Patent**
Pos

(10) **Patent No.:** **US D782,370 S**
(45) **Date of Patent:** **** Mar. 28, 2017**

- (54) **FRAME FOR STROLLER**
- (71) Applicant: **CYBEX GmbH**, Bayreuth (DE)
- (72) Inventor: **Martin Pos**, Bayreuth (DE)
- (73) Assignee: **CYBEX GMBH**, Bayreuth (DE)
- (**) Term: **14 Years**
- (21) Appl. No.: **29/520,887**
- (22) Filed: **Mar. 18, 2015**
- (51) **LOC (10) Cl.** **12-12**
- (52) **U.S. Cl.**
USPC **D12/129**
- (58) **Field of Classification Search**
USPC D12/128-133
CPC B62B 7/00-7/04; B62B 9/00-9/28
See application file for complete search history.

- D529,844 S * 10/2006 Chen D12/129
- D639,214 S * 6/2011 Zhong D12/129
- D672,693 S * 12/2012 Yuan D12/129
- D688,602 S * 8/2013 Clifton D12/129

* cited by examiner

Primary Examiner — Charles Hanson
(74) *Attorney, Agent, or Firm* — Boyle Fredrickson, S.C.

(57) **CLAIM**

The ornamental design for a frame for stroller, as shown and described.

DESCRIPTION

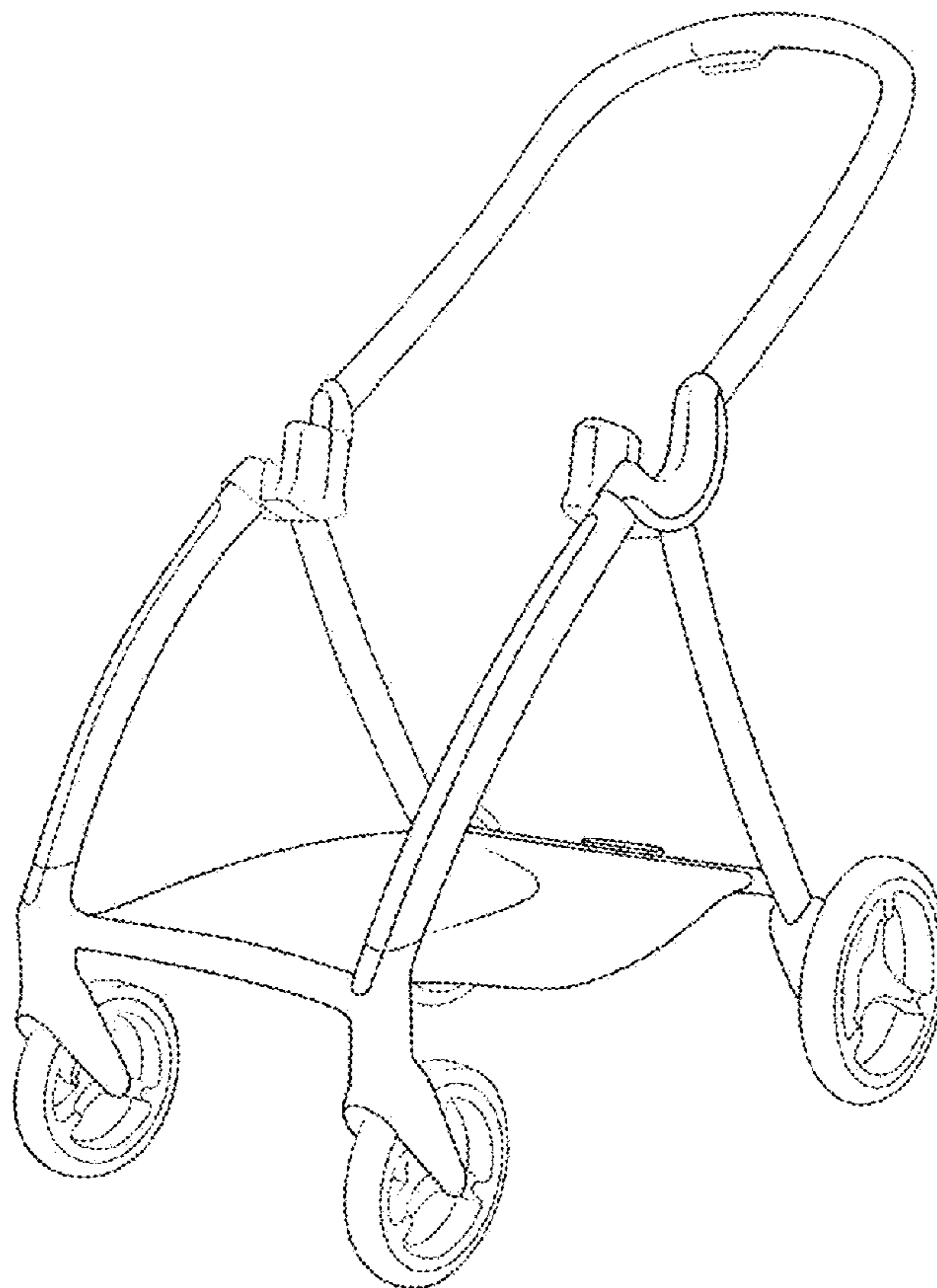
FIG. 1 is an isometric view of a frame for stroller in accordance with the present invention;
 FIG. 2 is a side elevational view of a first side of the frame for stroller of FIG. 1;
 FIG. 3 is a side elevational view of a second side of the frame for stroller of FIG. 1;
 FIG. 4 is a front elevational view of the frame for stroller of FIG. 1;
 FIG. 5 is a rear elevational view of the frame for stroller of FIG. 1;
 FIG. 6 is a top view of the frame for stroller of FIG. 1; and,
 FIG. 7 is a bottom view of the frame for stroller of FIG. 1.

1 Claim, 7 Drawing Sheets

(56) **References Cited**

U.S. PATENT DOCUMENTS

- D344,701 S * 3/1994 Church D12/129
- D470,802 S * 2/2003 You D12/129
- D478,198 S * 8/2003 Koppes D12/129
- D486,430 S * 2/2004 Chang D12/129



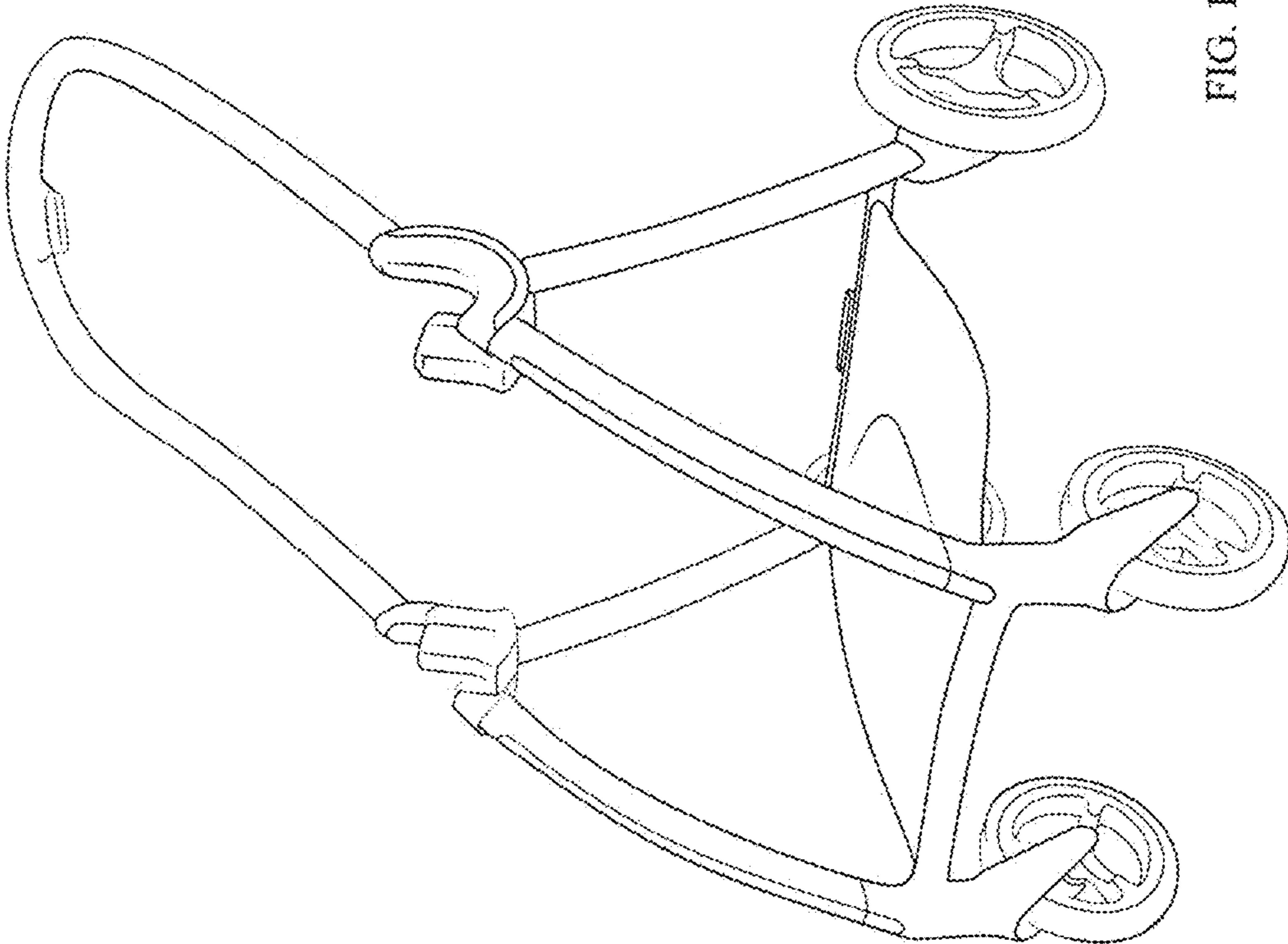


FIG. 1

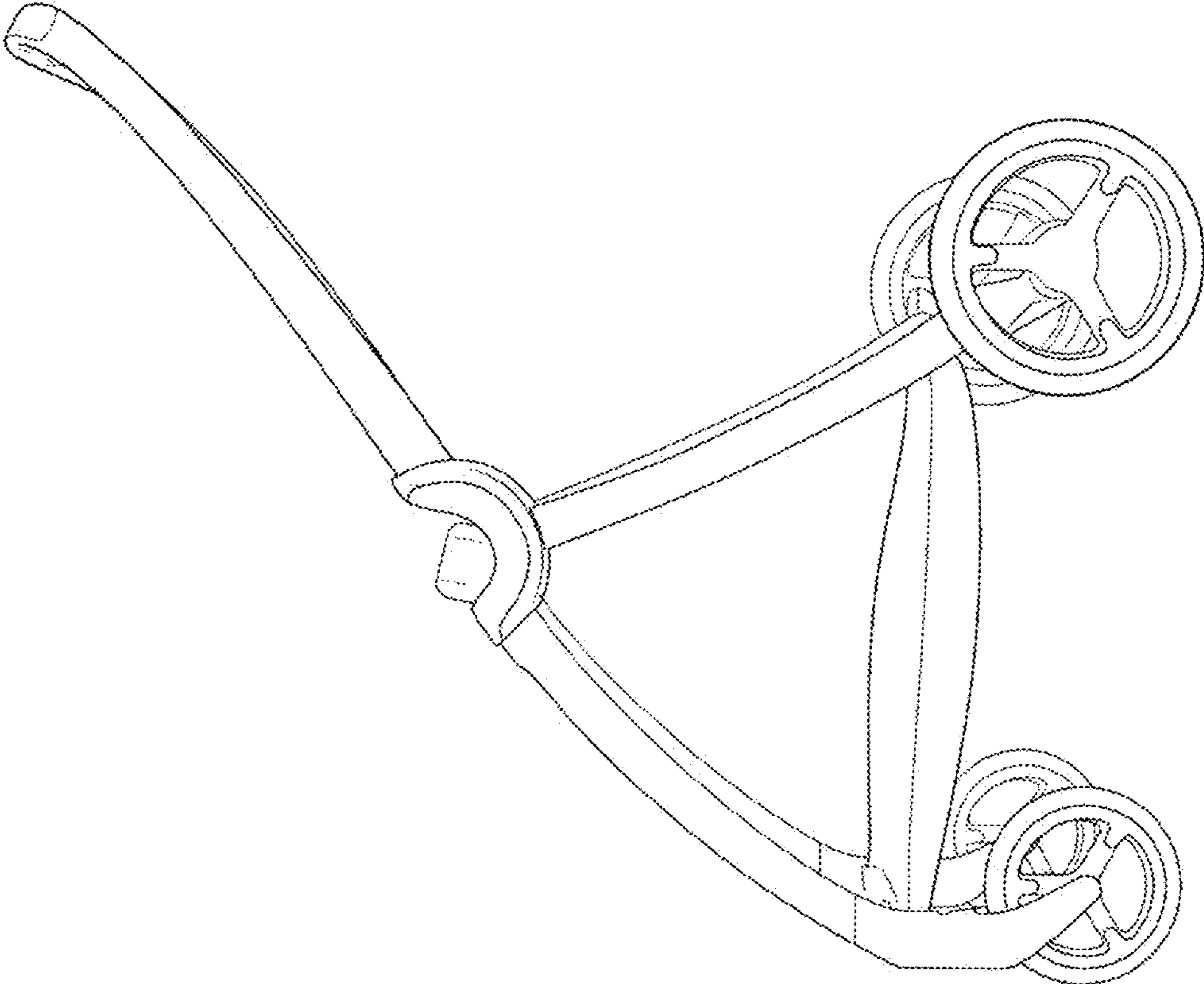
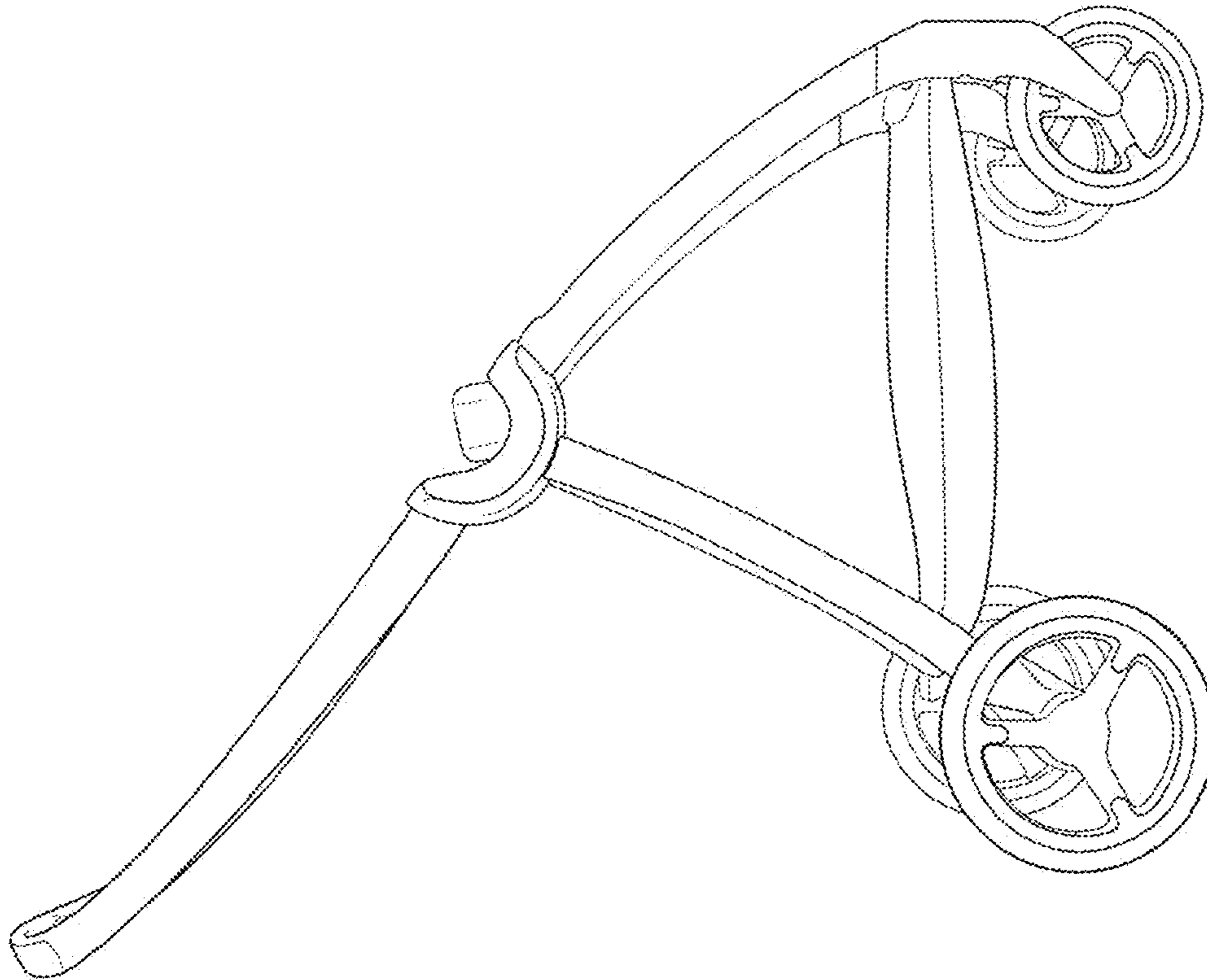


FIG. 2

FIG. 3



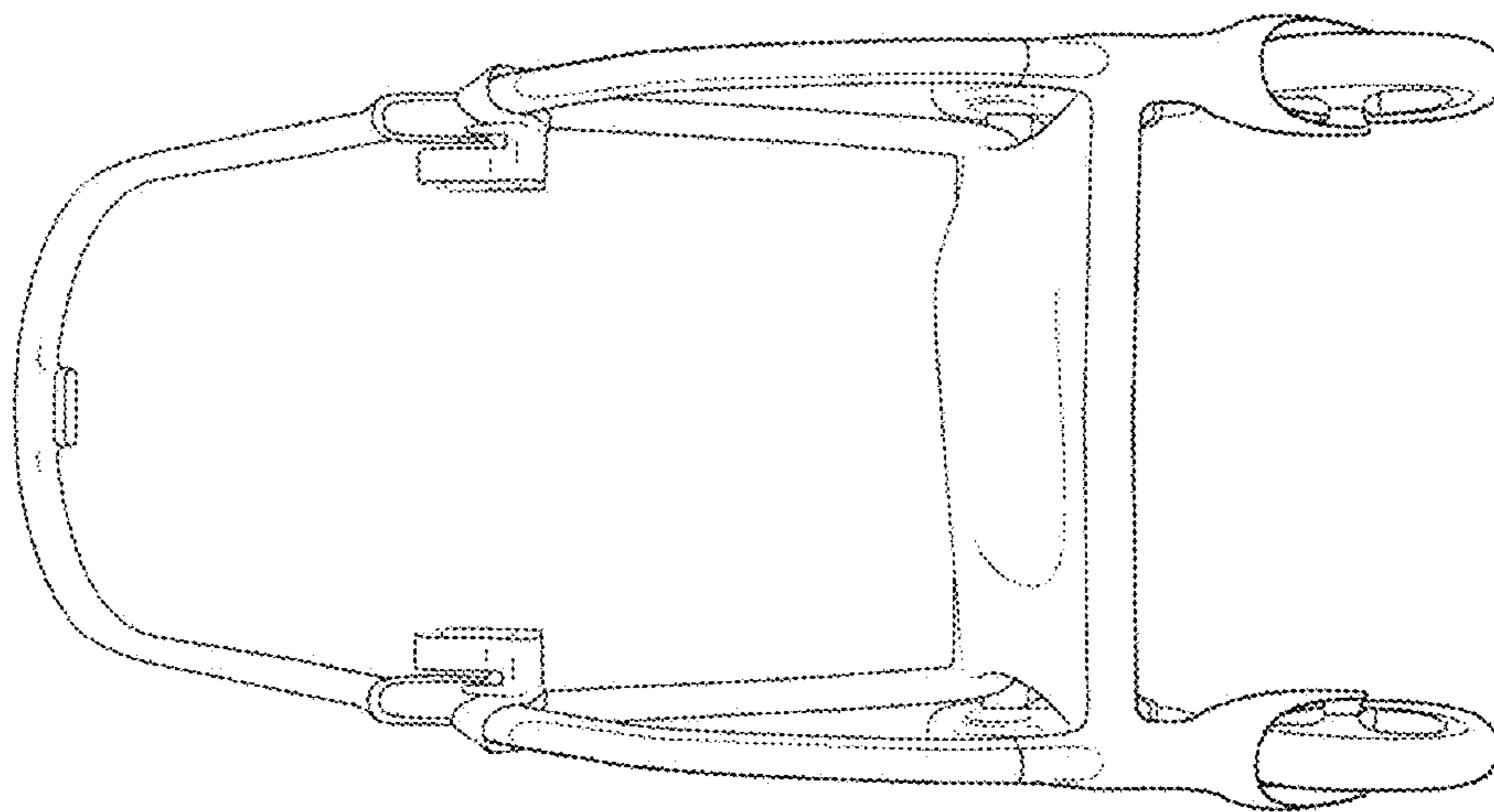


FIG. 4

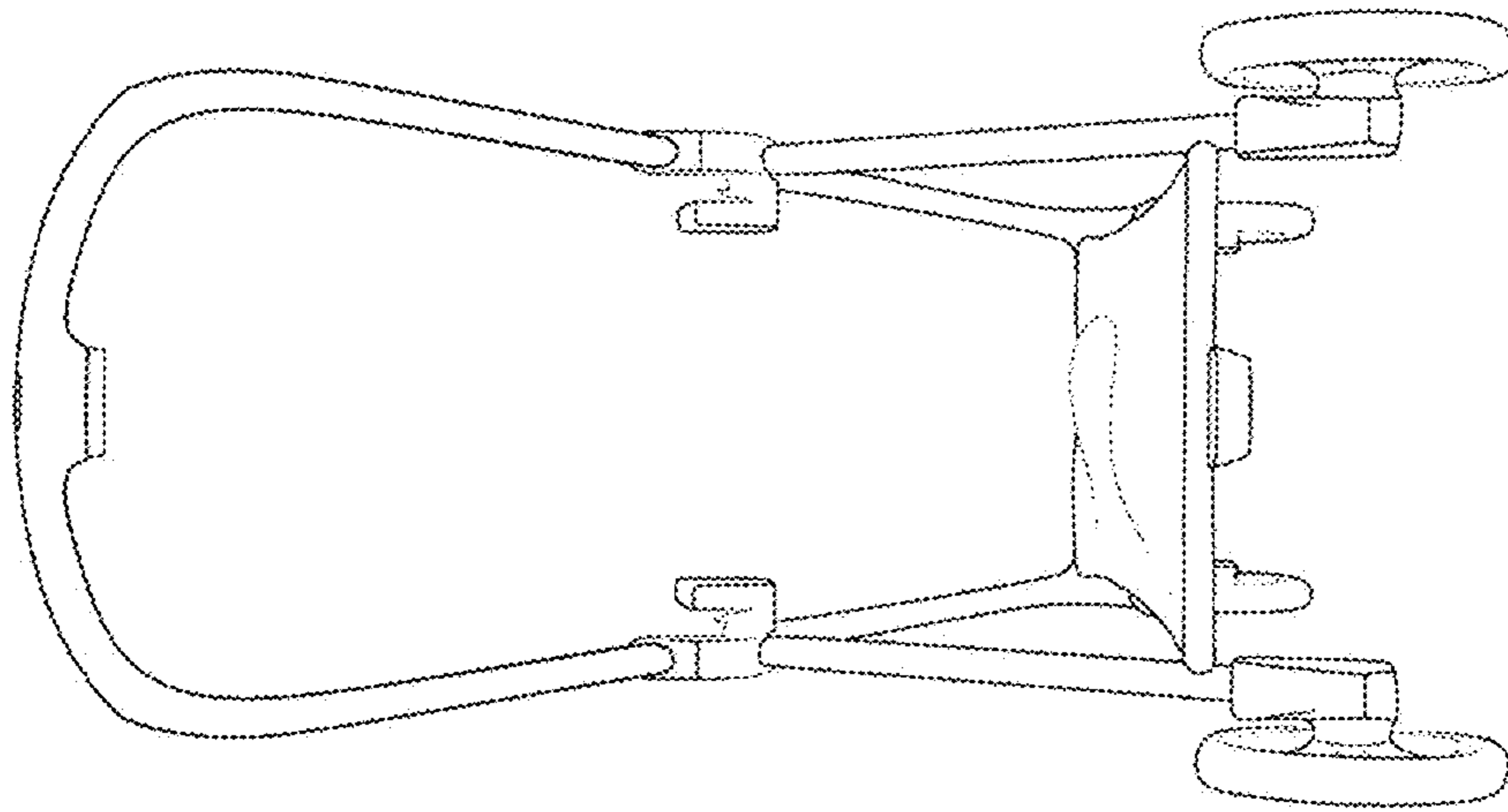


FIG. 5

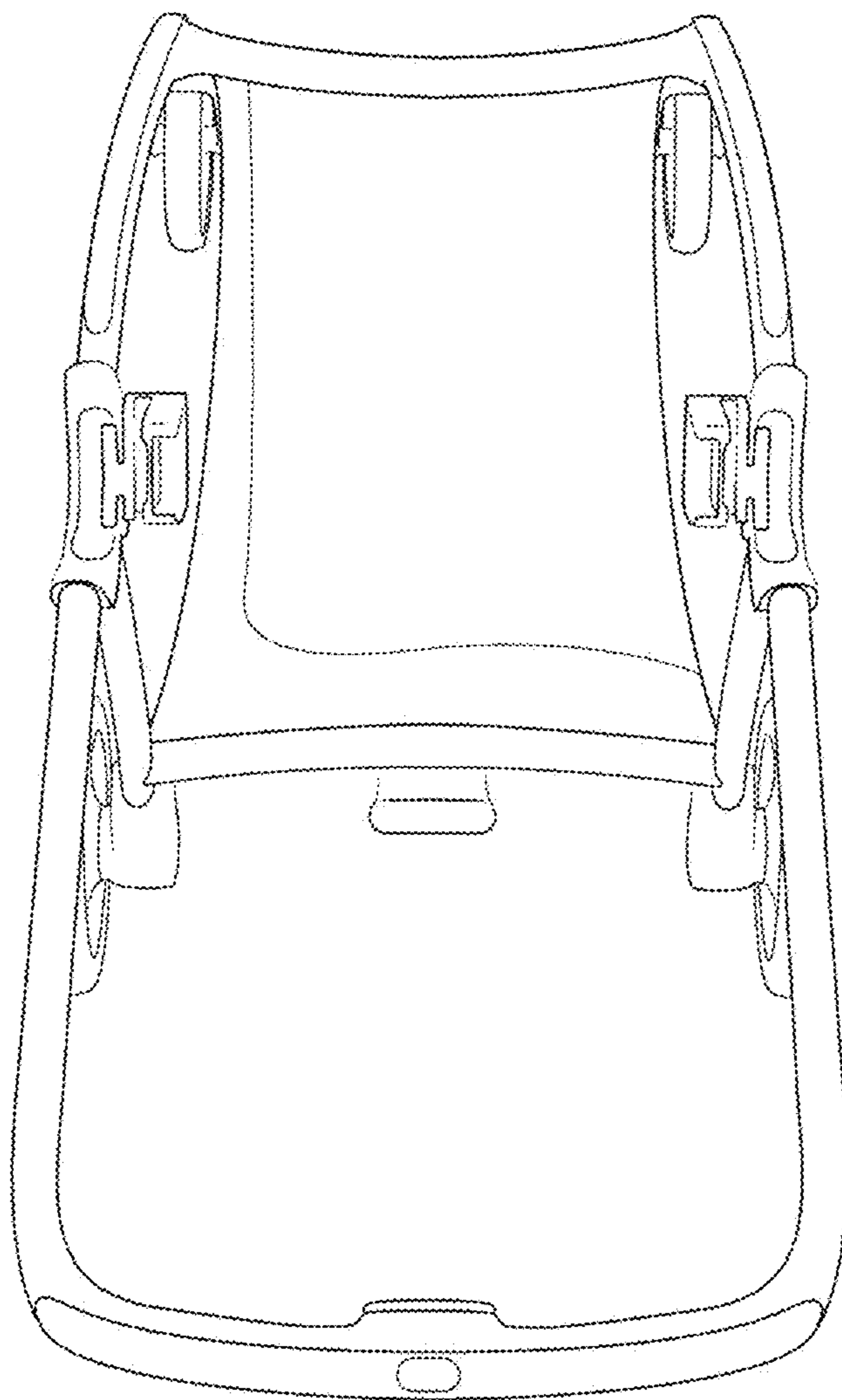


FIG. 6

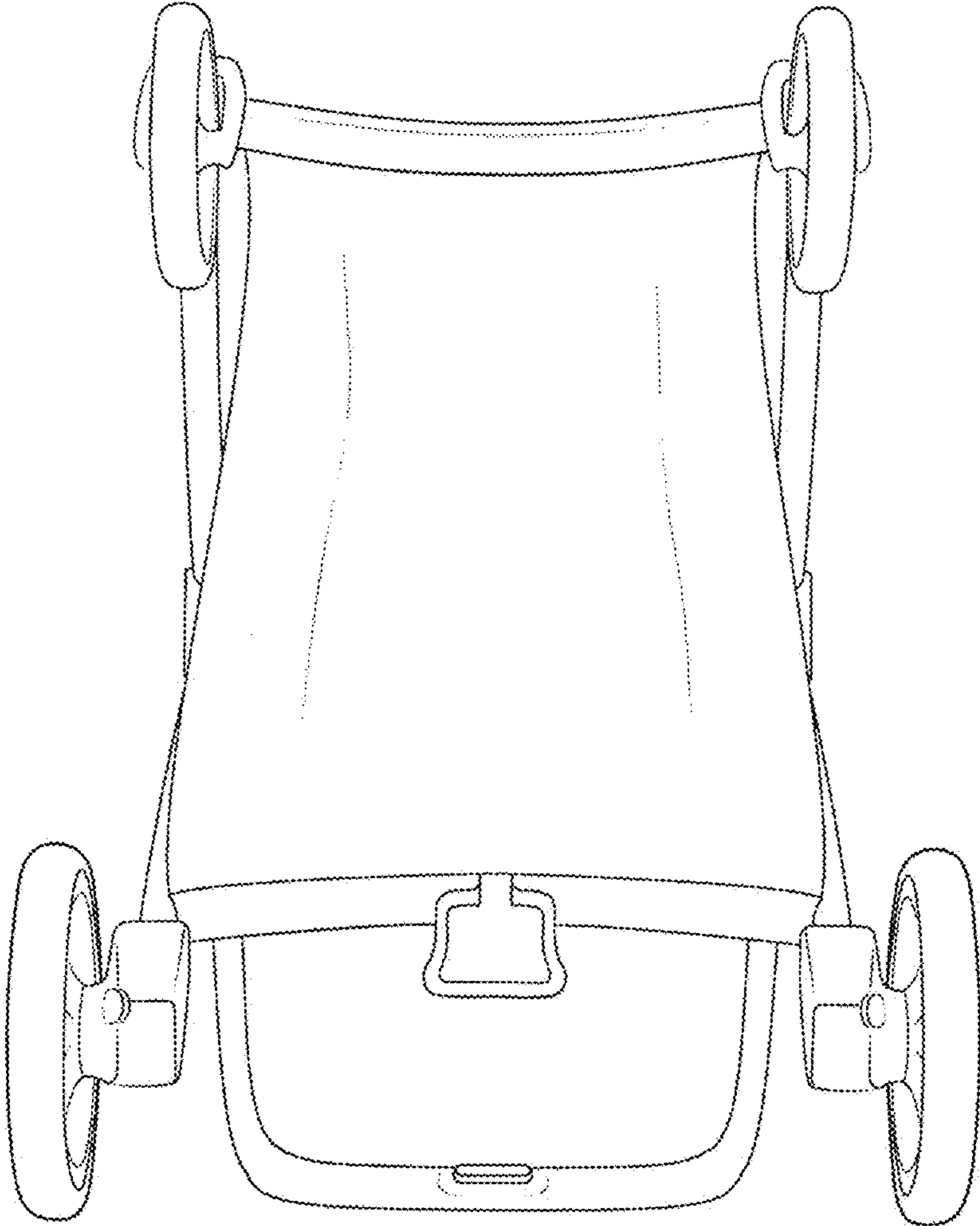


FIG. 7