



US00D782368S

(12) **United States Design Patent**
Fujimoto et al.

(10) **Patent No.:** **US D782,368 S**
(45) **Date of Patent:** **** Mar. 28, 2017**

(54) **MOTORCYCLE**

(71) Applicant: **HONDA MOTOR CO., LTD.**, Tokyo
(JP)

(72) Inventors: **Yukitou Fujimoto**, Wako (JP); **Valerio Aiello**, Rome (IT)

(73) Assignee: **HONDA MOTOR CO., LTD.**, Tokyo
(JP)

(**) Term: **15 Years**

(21) Appl. No.: **29/548,802**

(22) Filed: **Dec. 16, 2015**

(30) **Foreign Application Priority Data**

Jun. 19, 2015 (JP) 2015-013622

(51) **LOC (10) Cl.** **12-11**

(52) **U.S. Cl.**
USPC **D12/110**

(58) **Field of Classification Search**
USPC D12/110, 111, 117; D21/432, 538;
180/219, 220, 225, 229
CPC B62K 11/00; B62K 11/02; B62K 11/04;
B62K 11/10; B62K 17/00; B62K 19/00;
B62K 2202/00

See application file for complete search history.

(56) **References Cited**

U.S. PATENT DOCUMENTS

D504,844 S * 5/2005 Sasanami D12/110
D606,906 S * 12/2009 Chosa D12/110
D610,046 S * 2/2010 Miyake D12/110
D636,708 S * 4/2011 Katagiri D12/110
D649,914 S * 12/2011 Marasco D12/110

D649,915 S * 12/2011 Aiello D12/110
D652,769 S * 1/2012 Kudo D12/110
D657,290 S * 4/2012 Tako D12/110
D669,397 S * 10/2012 Isokari D12/110
D677,601 S * 3/2013 Yanagita D12/110

(Continued)

OTHER PUBLICATIONS

Bornhop, Andrew. "Quick Look: 2016 Honda NC700X & CB500X." Cycle World., Oct. 28, 2015 [online], [retrieved on Nov. 4, 2016]. Retrieved from the Internet <URL: <http://www.cycleworld.com/2015/10/28/2016-honda-nc700x-and-cb500x-adventure-tourer-motorcycle-review-first-look-photos>>.*

(Continued)

Primary Examiner — Darlington Ly

(74) *Attorney, Agent, or Firm* — Birch, Stewart, Kolasch & Birch, LLP

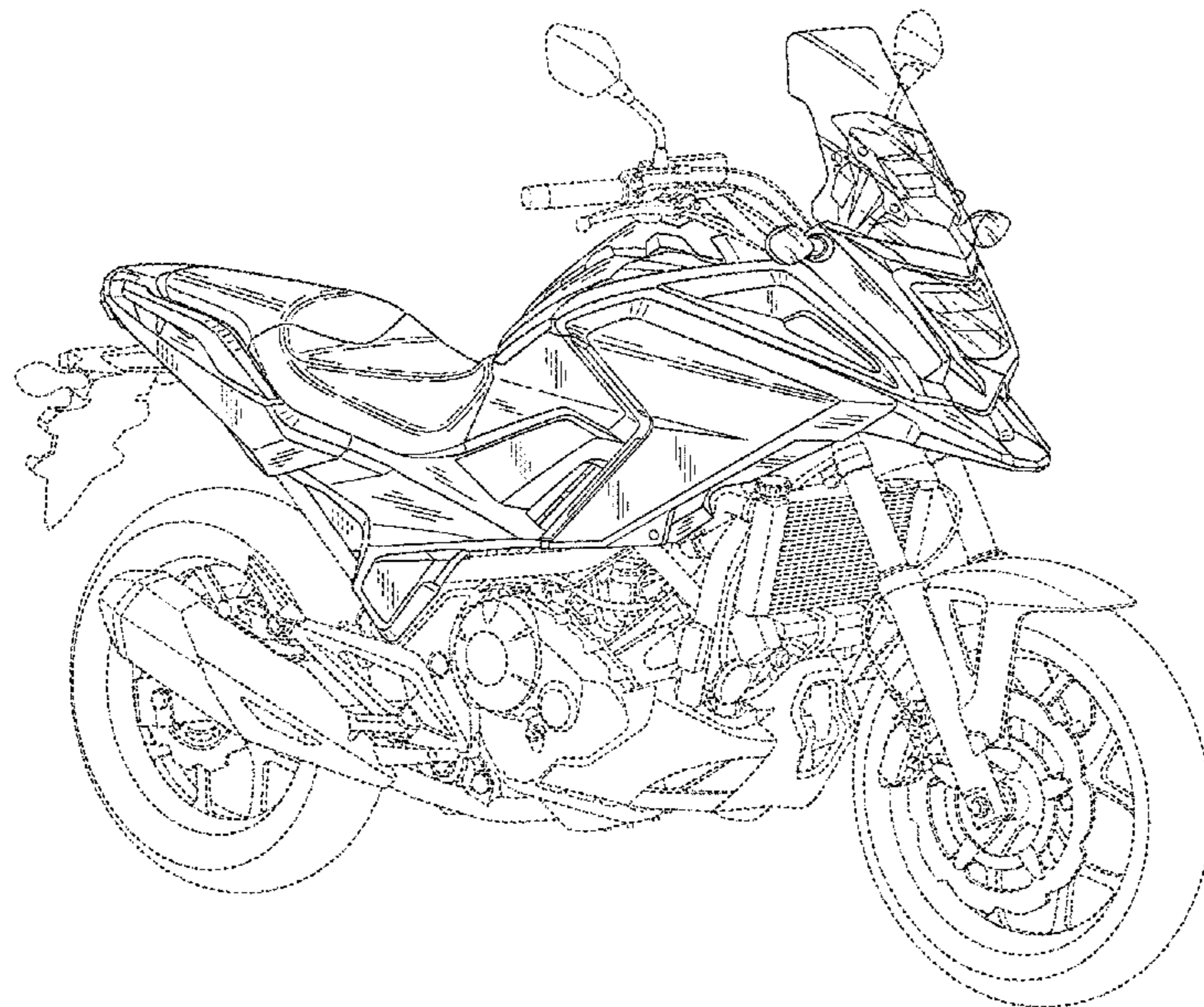
(57) **CLAIM**

The ornamental design for a motorcycle, as shown and described.

DESCRIPTION

FIG. 1 is a front and right side perspective view of a motorcycle showing our new design;
FIG. 2 is a rear and left side perspective view thereof;
FIG. 3 is a right side elevational view thereof;
FIG. 4 is a left side elevational thereof;
FIG. 5 is a front elevational view thereof;
FIG. 6 is a rear elevational view thereof;
FIG. 7 is a top plan view thereof;
FIG. 8 is a bottom plan view thereof;
FIG. 9 is a front and left side perspective view thereof; and,
FIG. 10 is a rear and right side perspective view thereof.
The broken lines in the drawings illustrate portions of the motorcycle that forms no part of the claimed design.

1 Claim, 10 Drawing Sheets



(56)

References Cited

U.S. PATENT DOCUMENTS

D688,982 S * 9/2013 Oyanagi D12/110
 D688,983 S * 9/2013 Shibuta D12/110
 D689,404 S * 9/2013 Katagiri D12/110
 D689,405 S * 9/2013 Tsukui D12/110
 D689,406 S * 9/2013 Yasuhara D12/110
 D690,236 S * 9/2013 Futamata D12/110
 D695,648 S * 12/2013 Yamazaki D12/110
 8,807,259 B2 * 8/2014 Tominaga B62K 11/04
 180/219
 8,827,024 B1 * 9/2014 Sumi B62K 25/02
 180/227
 D716,190 S * 10/2014 Tako D12/110
 D733,007 S * 6/2015 Futamata D12/110
 D733,008 S * 6/2015 Katagiri D12/110
 D736,677 S * 8/2015 Iimura D12/110
 D737,179 S * 8/2015 Futamata D12/110
 2012/0318598 A1 * 12/2012 Fujiyama B60K 5/12
 180/219
 2015/0101875 A1 * 4/2015 Inayama B60K 13/02
 180/225

OTHER PUBLICATIONS

Wilson, Byron. "2015 Entry-Level Sportbike Shootout." Motorcycle-USA., May 22, 2015 [online], [retrieved on Nov. 4, 2016]. Retrieved from the Internet <URL: <http://www.motorcycle-usa.com/2015/05/article/2015-entry-level-sportbike-shootout/>>.*
 "2016 Honda NC 700X." Honda Motorcycles Reviews., Jan. 28, 2015 [online], [retrieved on Nov. 4, 2016]. Retrieved from the Internet <URL: <http://hondamotorcyclesreviews.com/2016-honda-nc-700x/>>.*
 Edge, Dirck. "2007 Supersport Comparison." Motorcycle Daily., Jun. 18, 2007 [online], [retrieved on Nov. 4, 2016]. Retrieved from the Internet <URL: http://www.motorcycledaily.com/2007/06/18june07_600supersport/>.*

* cited by examiner

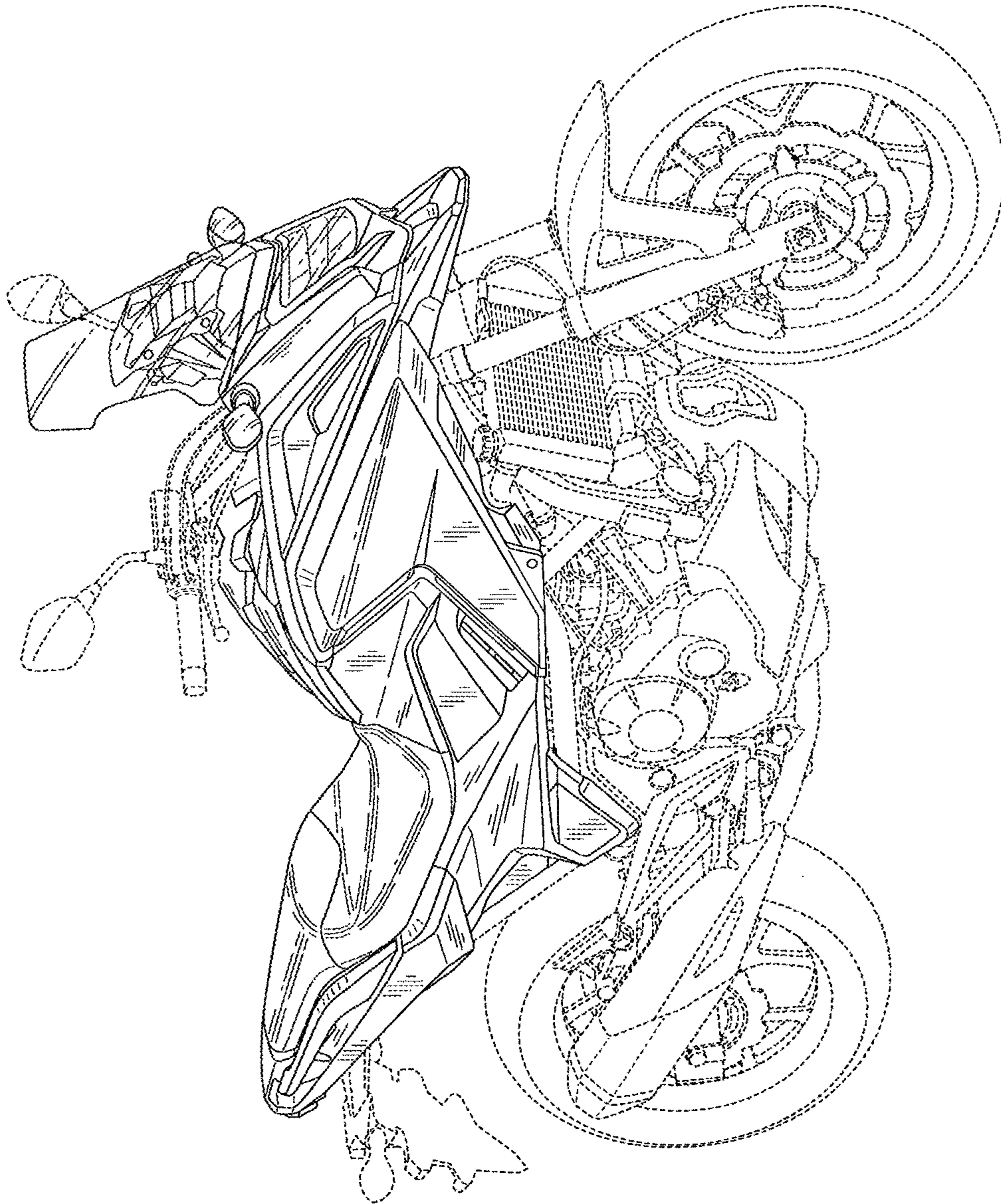


FIG. 1

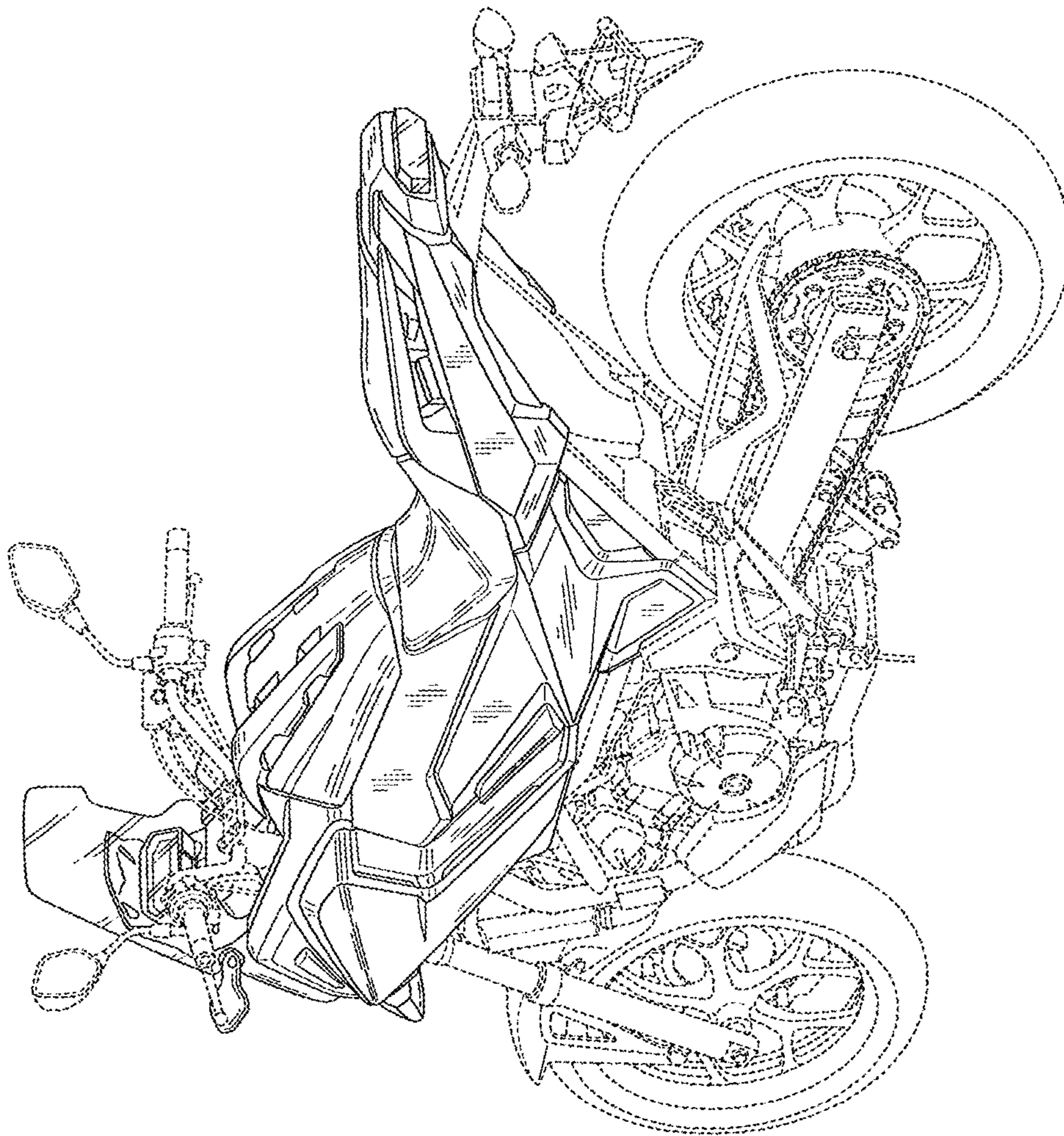


FIG.2

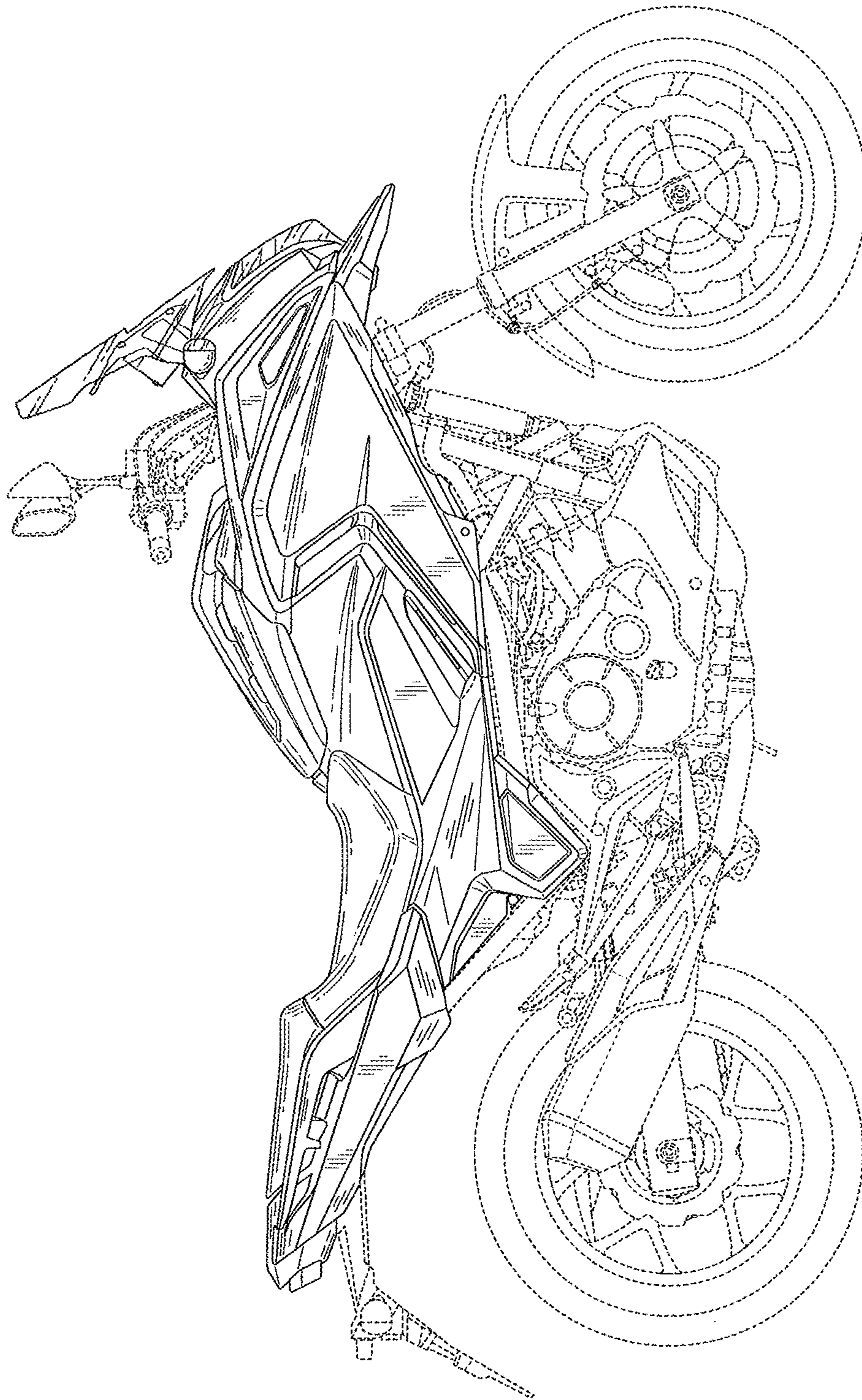


FIG.3

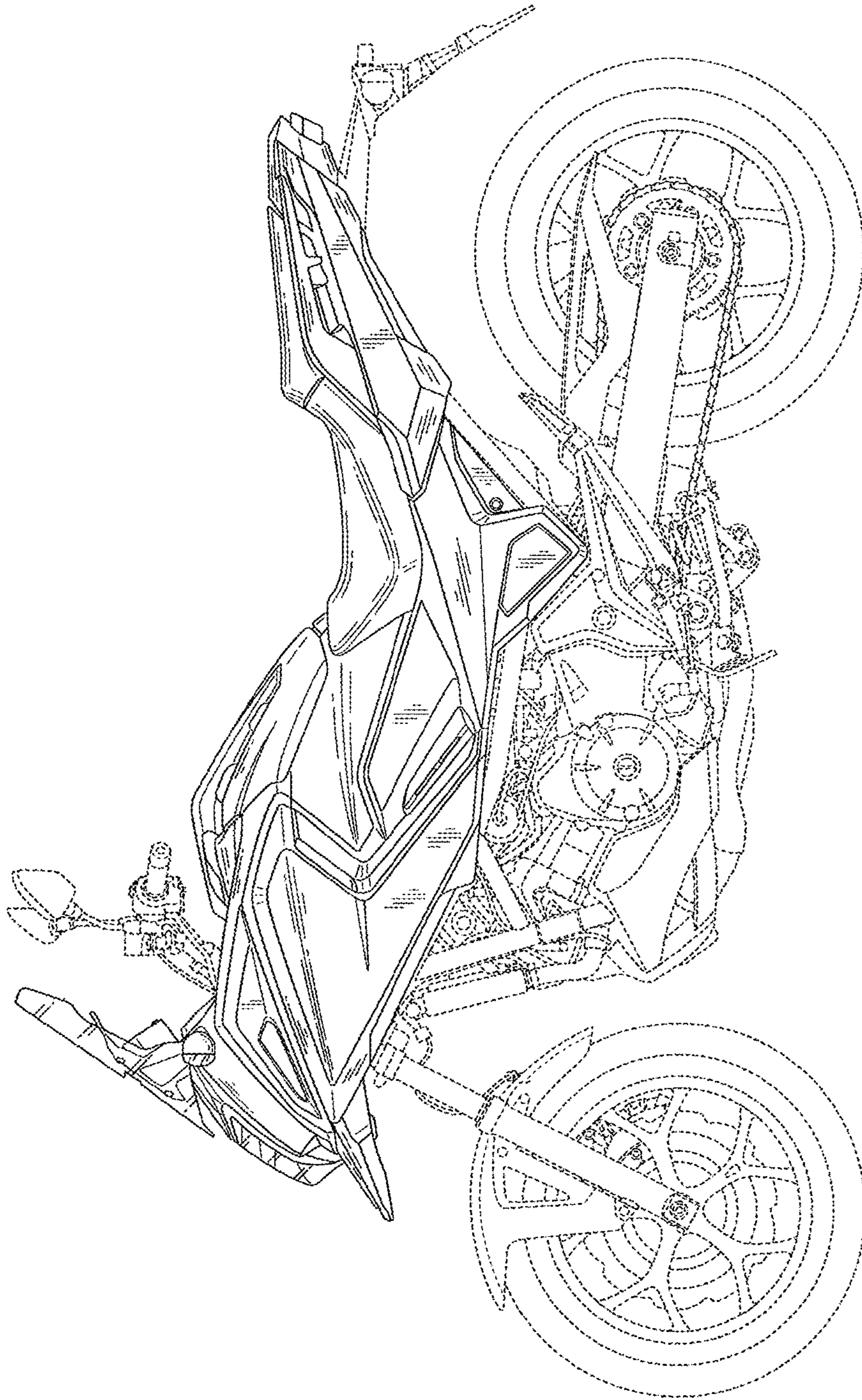


FIG.4

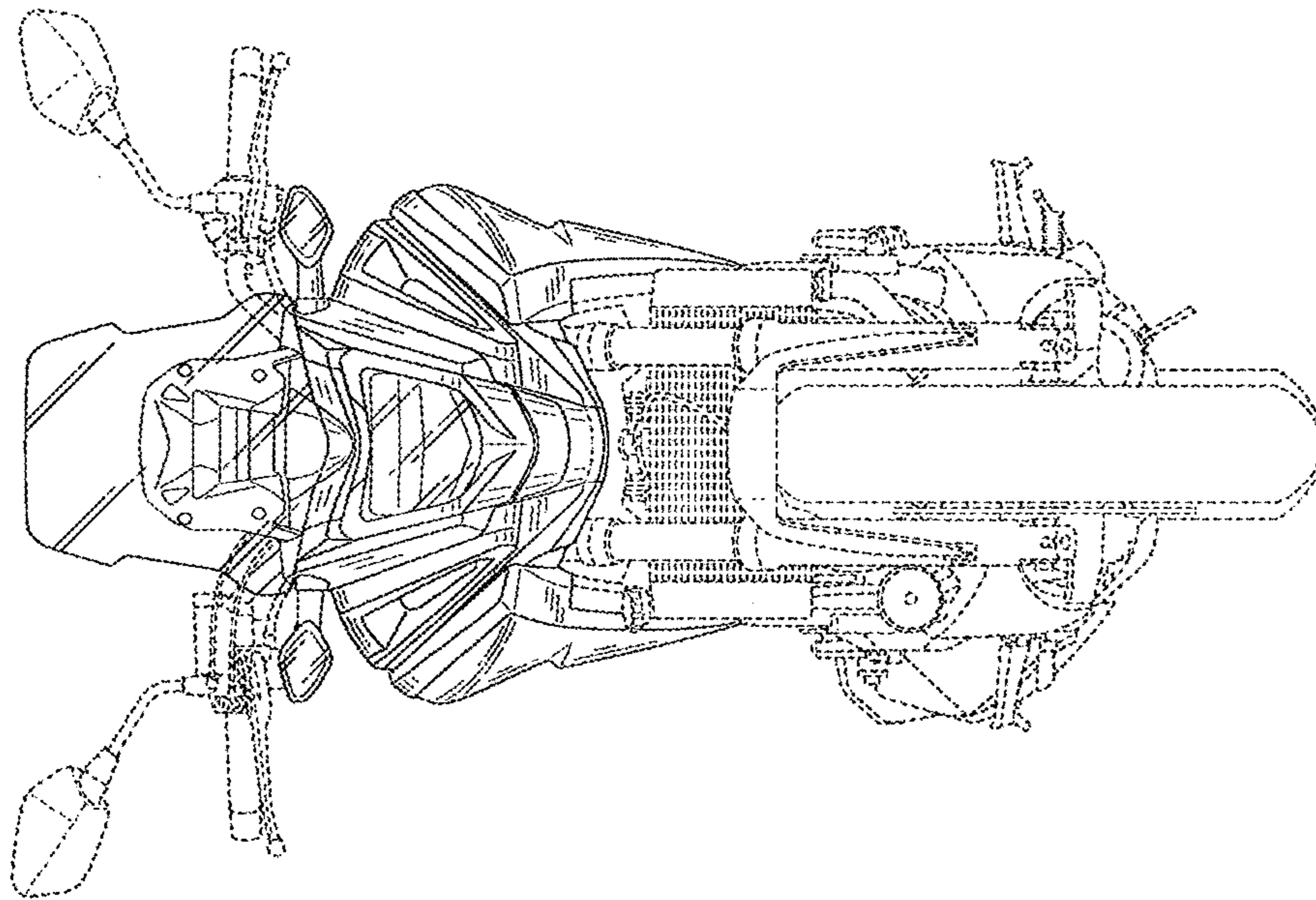


FIG.5

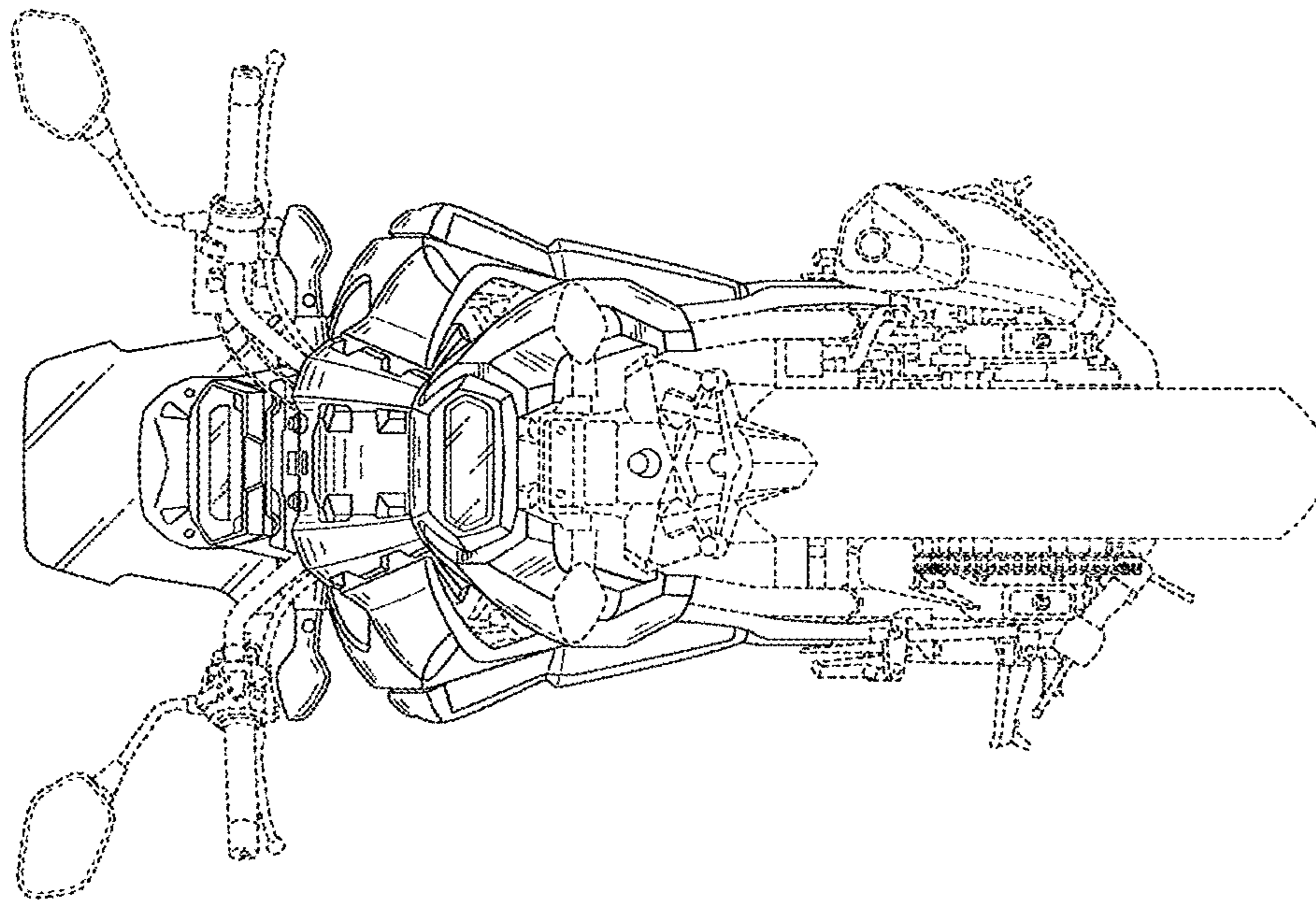


FIG.6

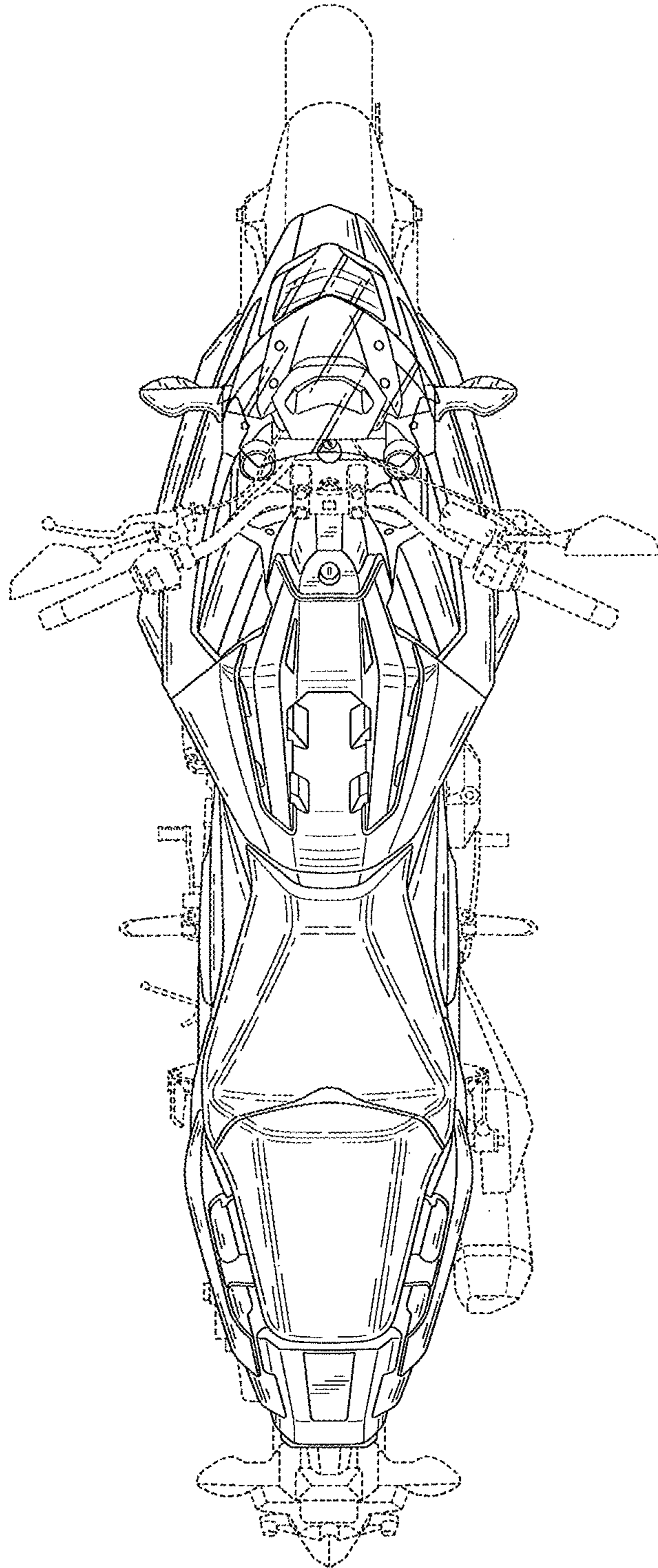


FIG.7

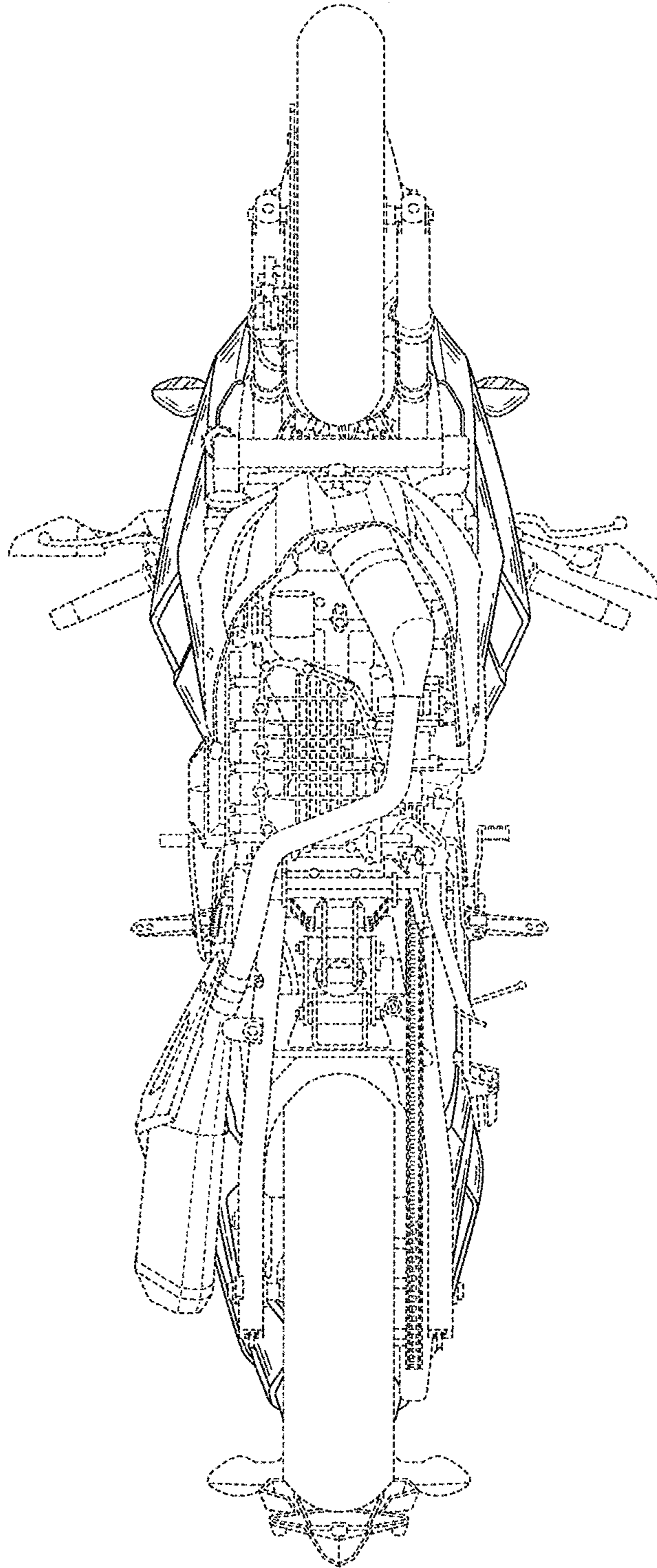


FIG.8

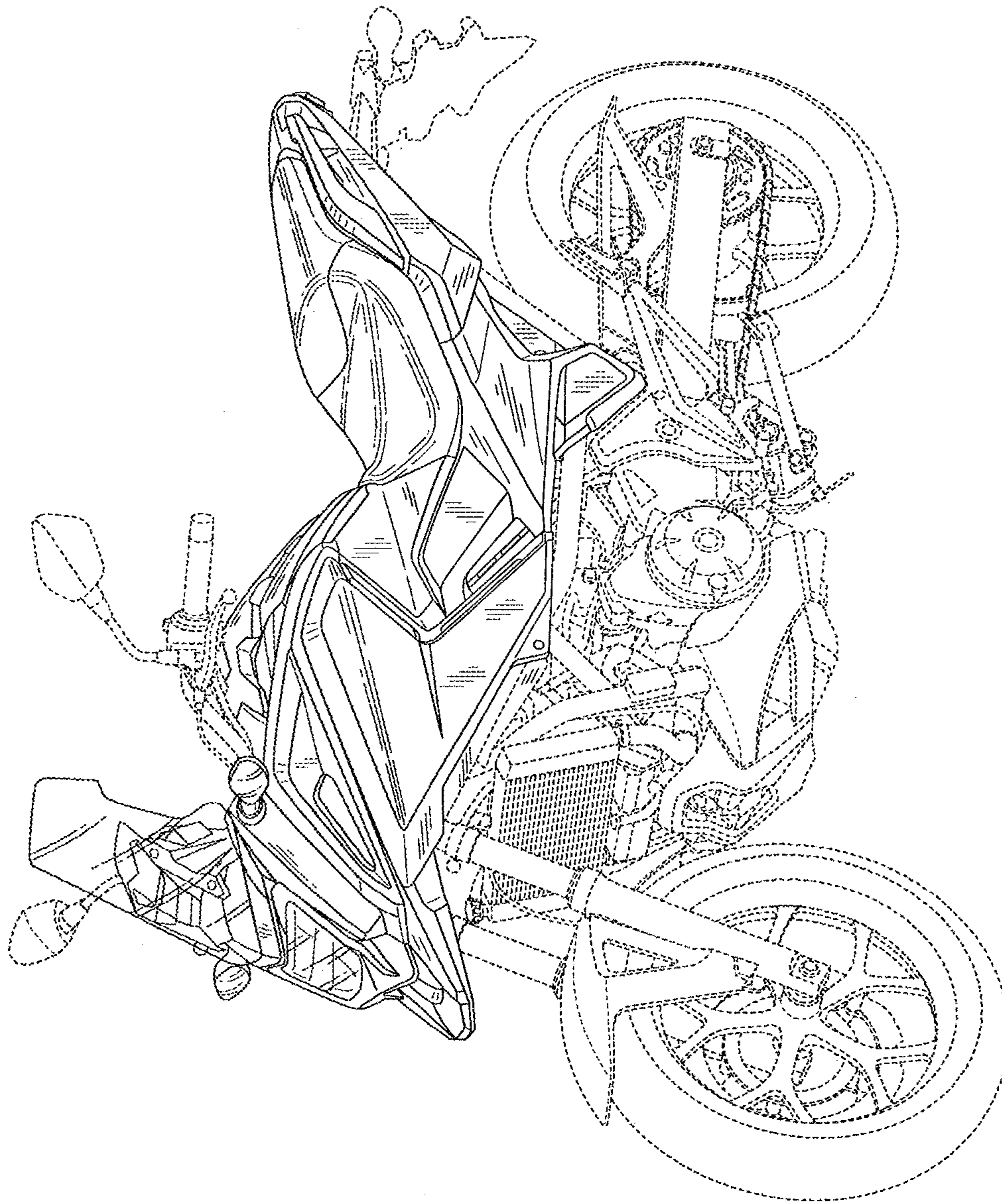


FIG.9

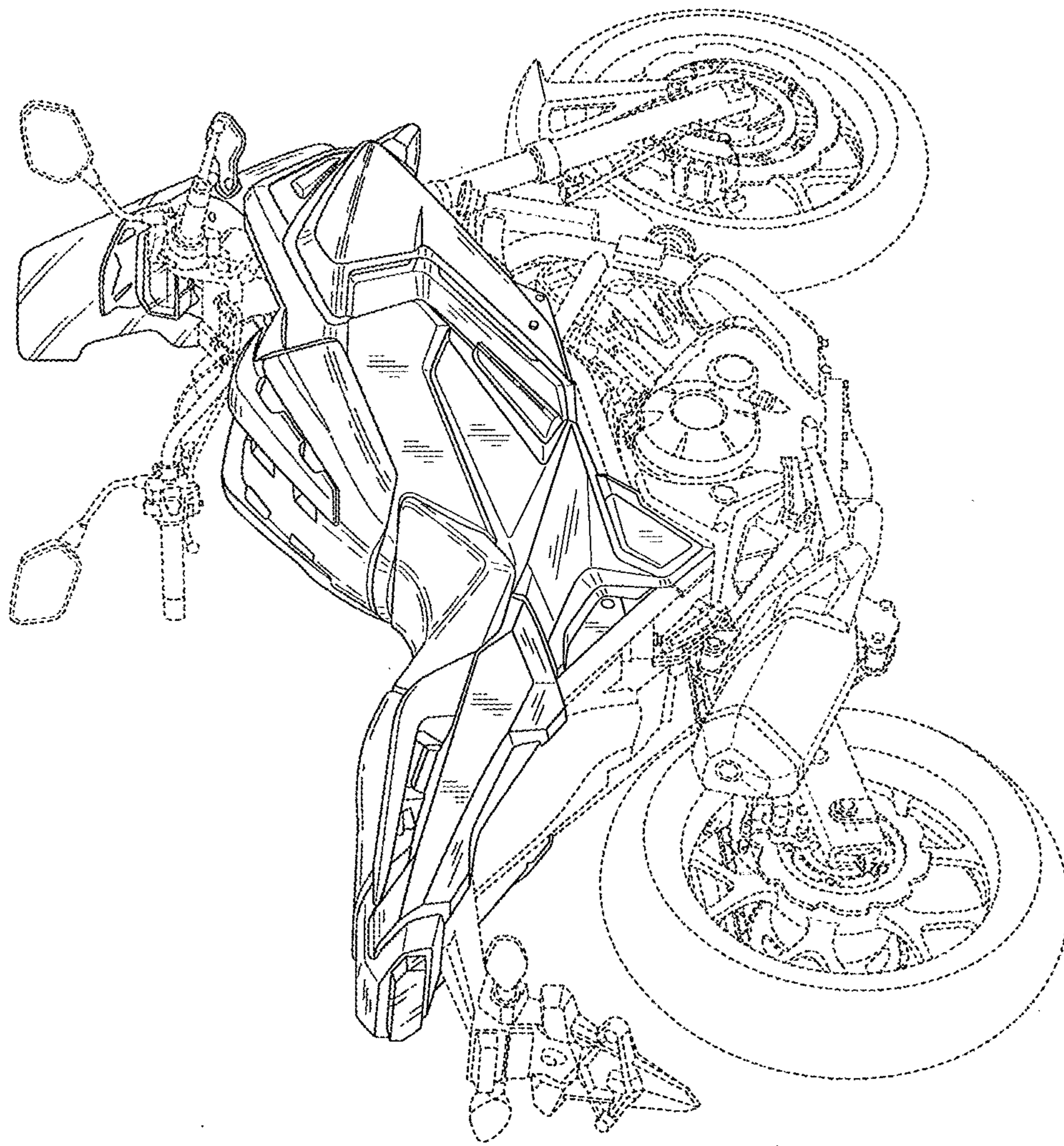


FIG.10