



US00D782365S

(12) **United States Design Patent**  
**Hung**

(10) **Patent No.:** **US D782,365 S**

(45) **Date of Patent:** **\*\* Mar. 28, 2017**

- (54) **UNMANNED AERIAL VEHICLE**
- (71) Applicant: **XDynamics Limited**, Shatin, New Territories (HK)
- (72) Inventor: **Ho Sai Hung**, Shatin (HK)
- (73) Assignee: **XDynamics Limited**, Shatin, New Territories (HK)
- (\*\*) Term: **15 Years**
- (21) Appl. No.: **29/558,428**
- (22) Filed: **Mar. 17, 2016**
- (51) **LOC (10) Cl.** ..... **12-07**
- (52) **U.S. Cl.**  
USPC ..... **D12/16.1; D21/441; D12/328**
- (58) **Field of Classification Search**  
USPC ..... D12/16.1, 319-345; D21/436, 441-444, D21/446-453  
CPC ..... B64C 1/062; B64C 39/024; B64C 27/08; B64C 29/00; B64C 39/00; B64C 23/00  
See application file for complete search history.

- D760,624 S \* 7/2016 Balaresque ..... D12/16.1
- D767,043 S \* 9/2016 Morrison ..... D12/16.1
- D768,539 S \* 10/2016 Lee ..... D12/16.1
- D768,789 S \* 10/2016 Fargeau ..... D12/16.1
- 2007/0105474 A1\* 5/2007 Gotou ..... A63H 27/02  
446/37
- 2015/0321755 A1\* 11/2015 Martin ..... B64C 27/50  
244/17.23
- 2016/0327847 A1\* 11/2016 Yang ..... G03B 15/006

\* cited by examiner

*Primary Examiner* — Robert M Spear

*Assistant Examiner* — Marissa J Cash

(57) **CLAIM**

The ornamental design for an unmanned aerial vehicle, as shown and described.

**DESCRIPTION**

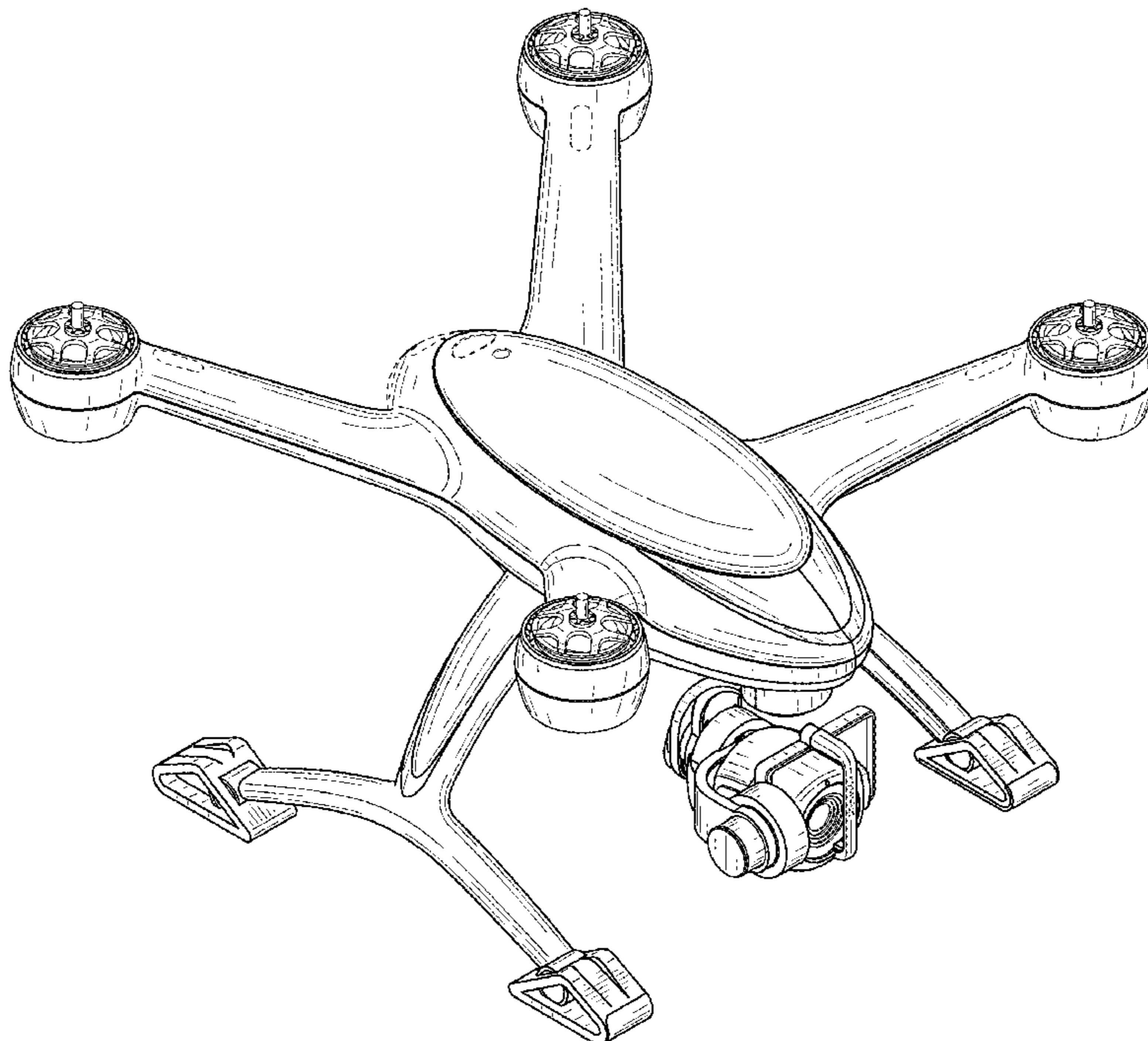
FIG. 1 is a top perspective view of an unmanned aerial vehicle showing my new design;  
 FIG. 2 is a front elevation view thereof;  
 FIG. 3 is a rear elevation view thereof;  
 FIG. 4 is a right-side elevation view thereof;  
 FIG. 5 is a left-side elevation view thereof;  
 FIG. 6 is a top plan view thereof;  
 FIG. 7 is a bottom plan view thereof; and,  
 FIG. 8 is a bottom perspective view thereof.  
 The dashed broken lines in the figures show portions of the unmanned aerial vehicle that form no part of the claimed design.

(56) **References Cited**

**U.S. PATENT DOCUMENTS**

- D648,808 S \* 11/2011 Seydoux ..... D21/441
- D691,514 S \* 10/2013 Wang ..... D12/16.1
- D741,779 S \* 10/2015 Hsiao ..... D12/16.1
- 9,233,754 B1 \* 1/2016 Wang ..... B64C 39/024
- D759,764 S \* 6/2016 Lai ..... D12/16.1

**1 Claim, 8 Drawing Sheets**



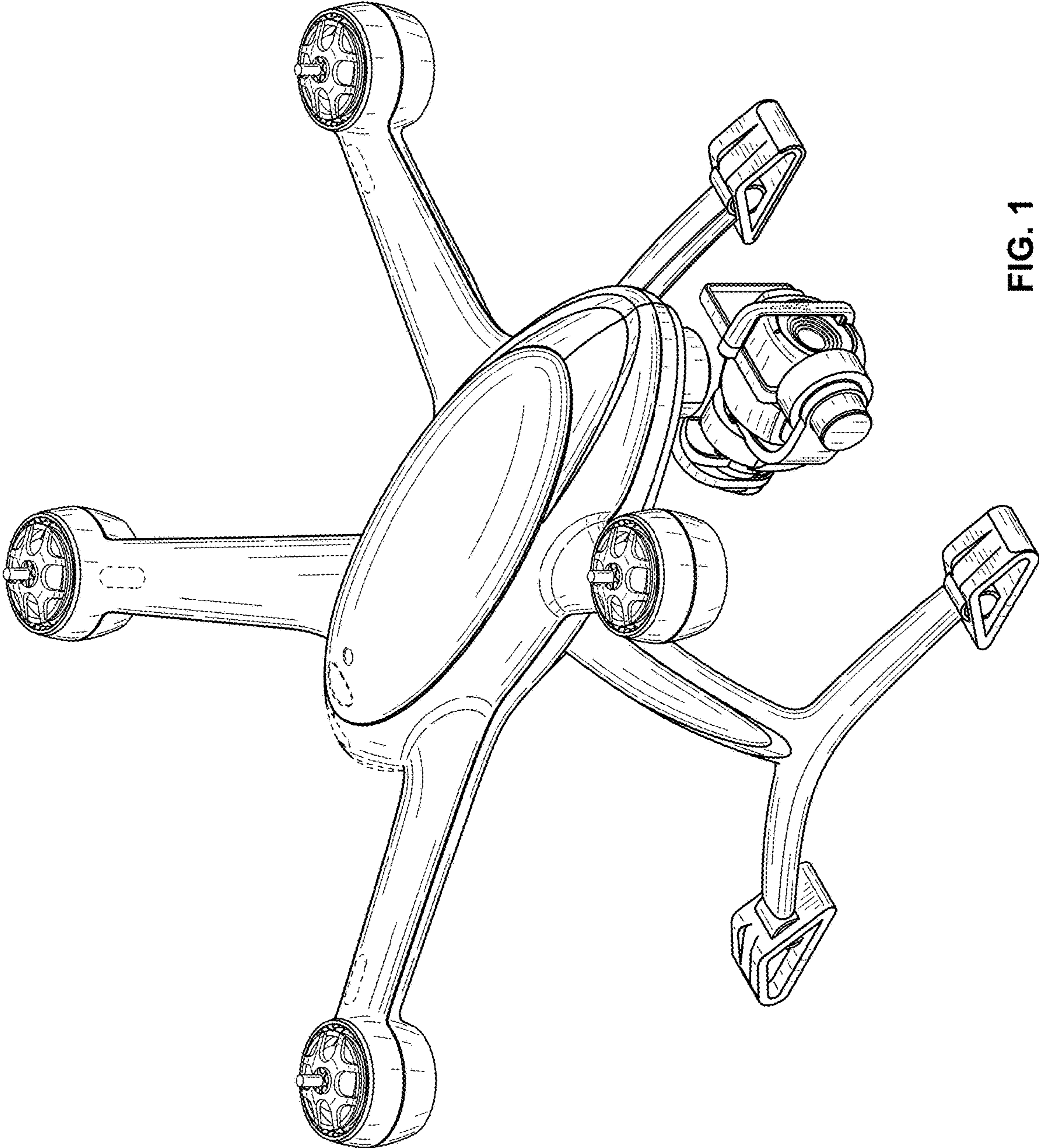


FIG. 1

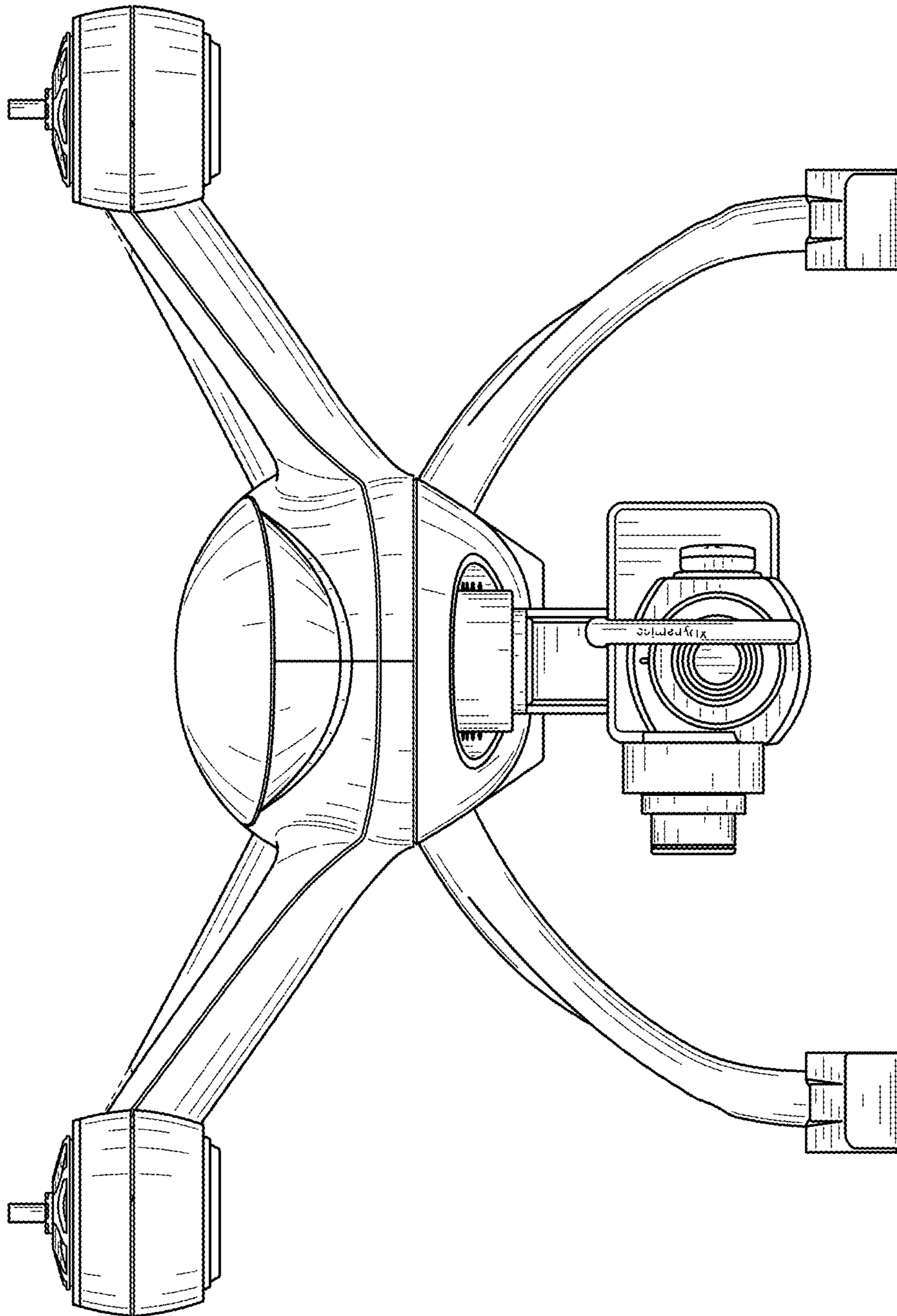


FIG. 2

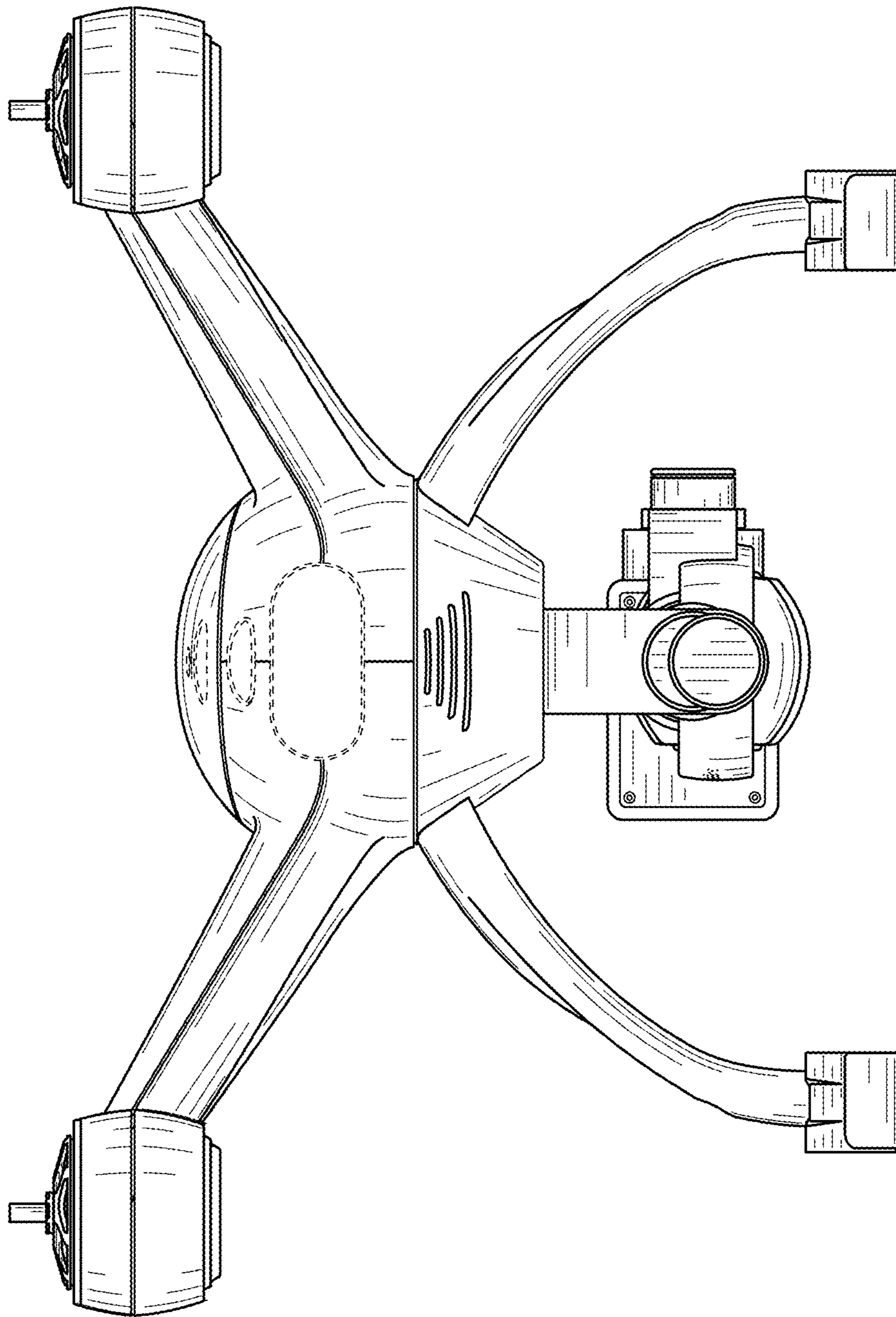


FIG. 3

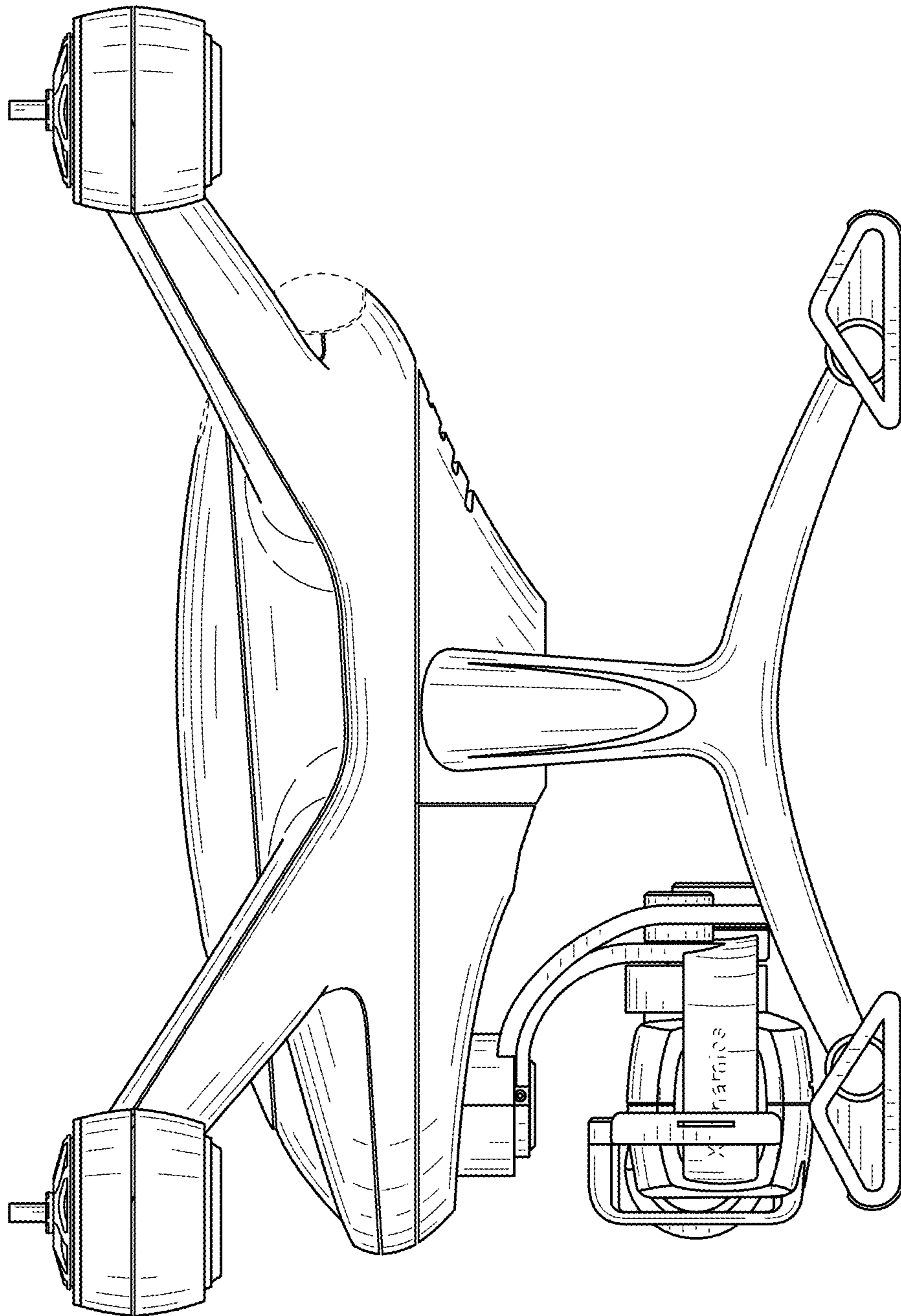


FIG. 4

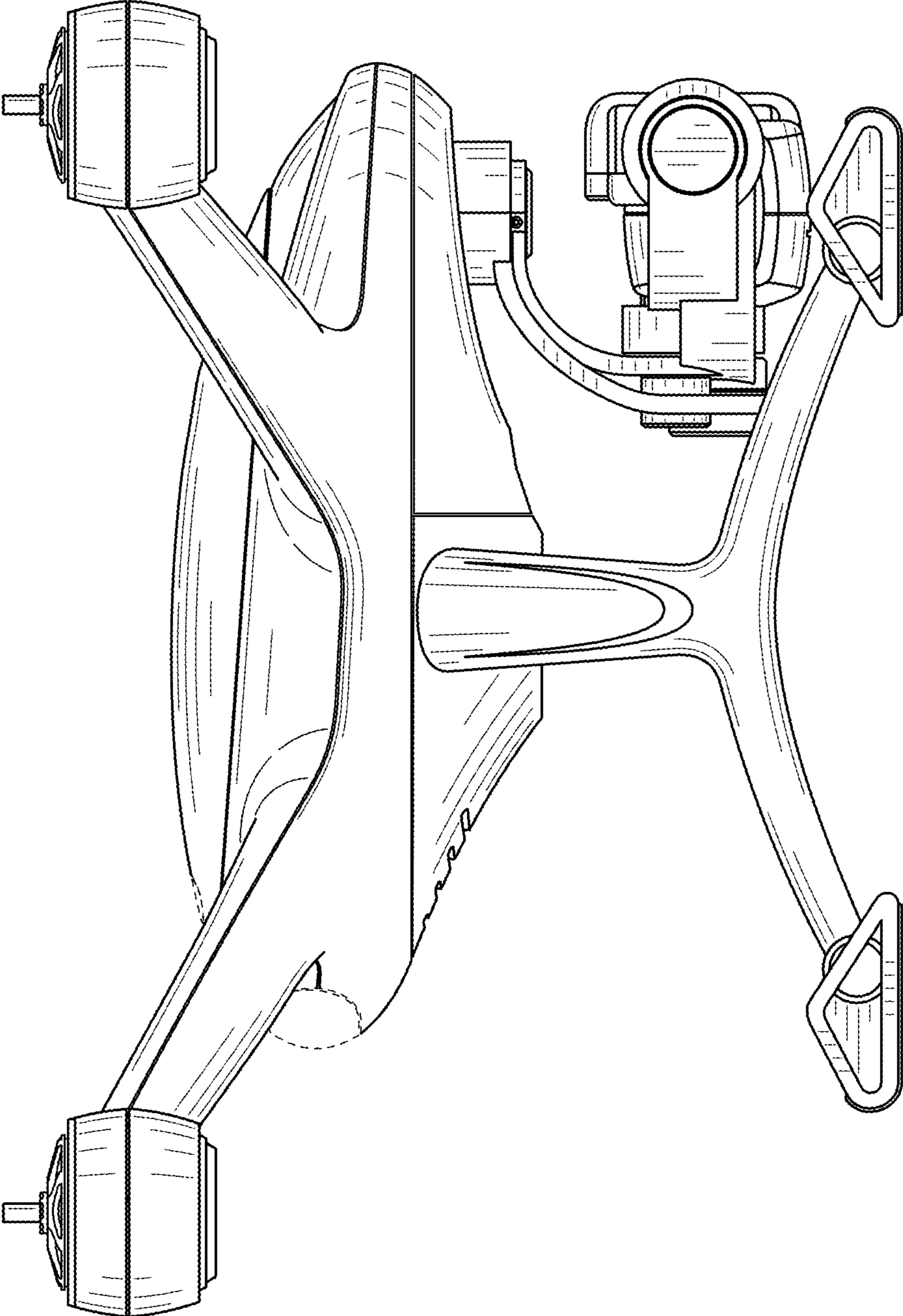


FIG. 5

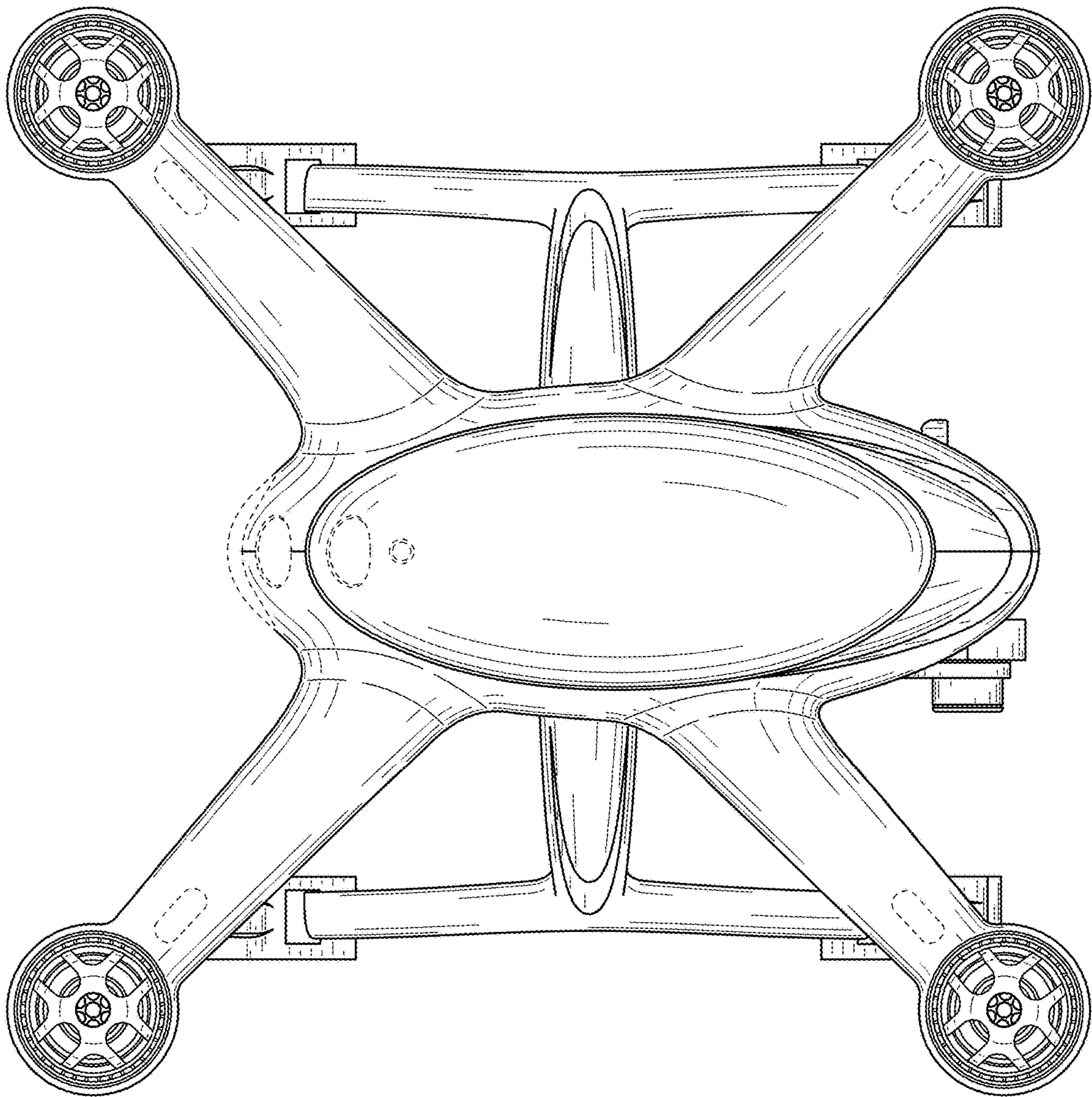


FIG. 6

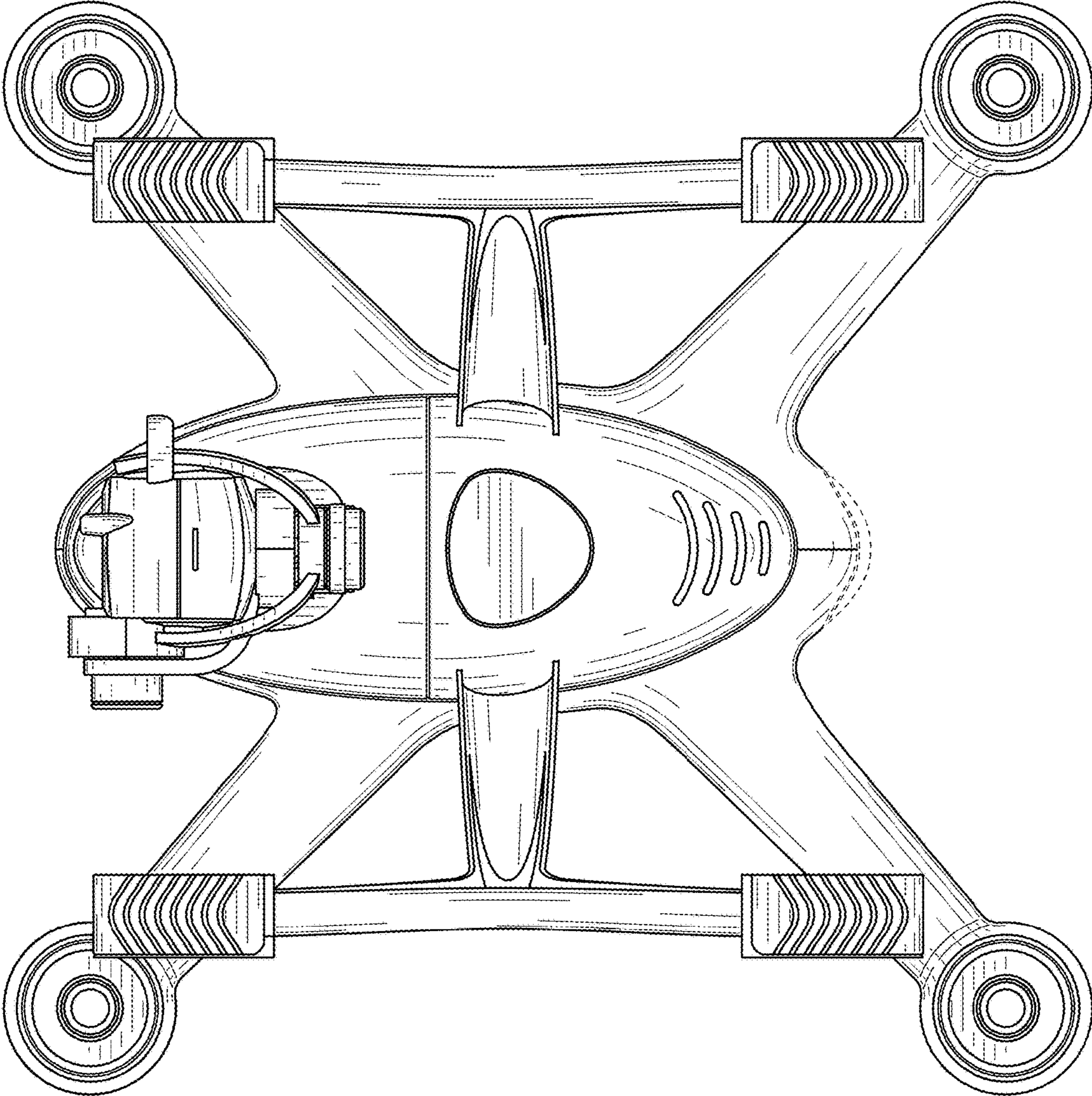


FIG. 7



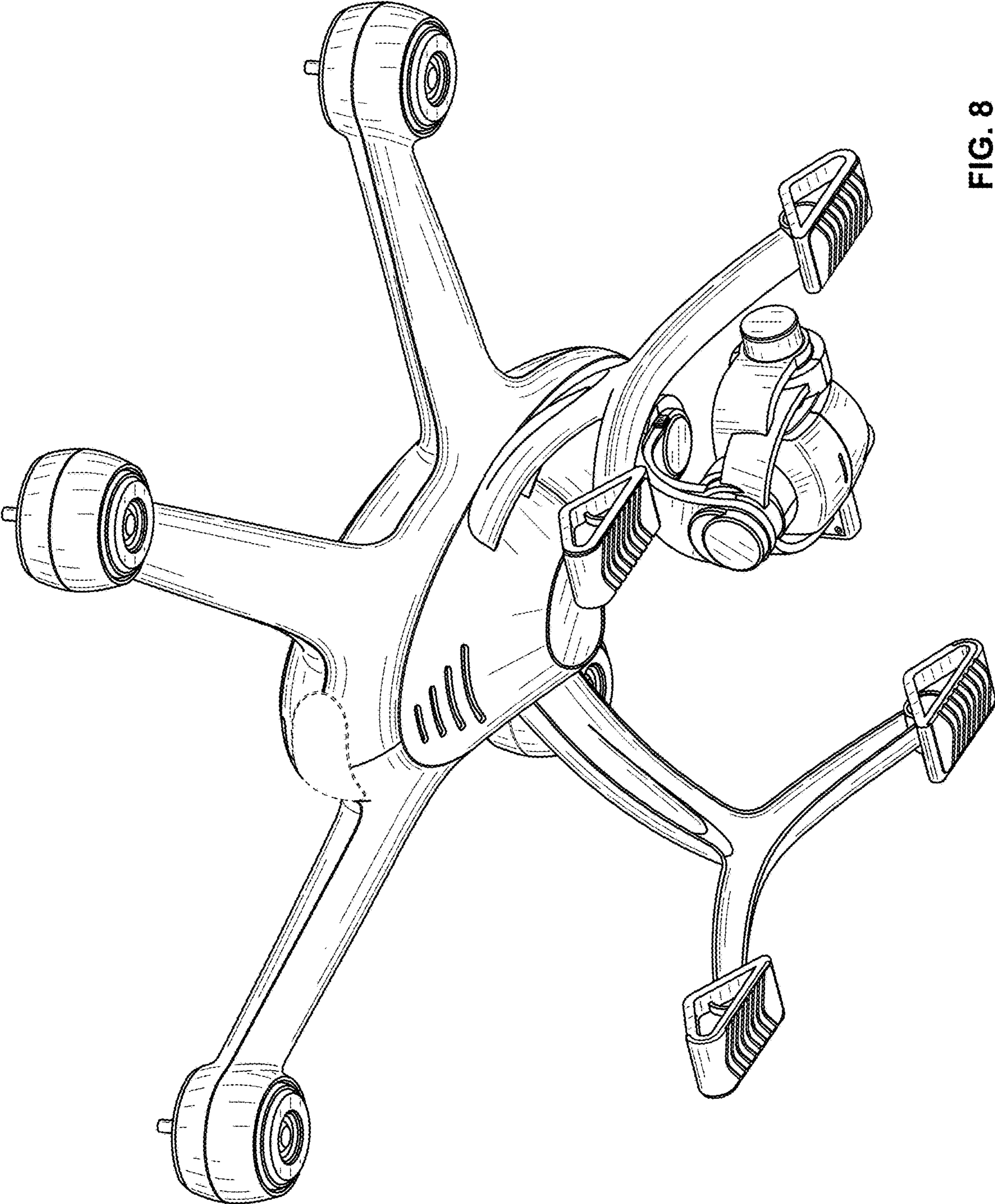


FIG. 8