



US00D782364S

(12) **United States Design Patent**
Nykoluk

(10) **Patent No.:** **US D782,364 S**

(45) **Date of Patent:** **** Mar. 28, 2017**

- (54) **BELT BUCKLE**
- (71) Applicant: **Noble Rider, LLC**, Modesto, CA (US)
- (72) Inventor: **Cory Nykoluk**, Orange, CA (US)
- (73) Assignee: **Noble Rider, LLC**, Modesto, CA (US)
- (**) Term: **15 Years**
- (21) Appl. No.: **29/552,015**
- (22) Filed: **Jan. 19, 2016**
- (51) **LOC (10) Cl.** **02-07**
- (52) **U.S. Cl.**
USPC **D11/218**
- (58) **Field of Classification Search**
USPC D11/200–219; 24/163 R, 169–171, 173,
24/177–179, 191, 194–195, 197, 200,
24/614–616, 625, 198, 630; D8/349, 395
CPC A44B 11/26; A44B 11/25
See application file for complete search history.

D586,259 S *	2/2009	Kelleghan	D11/218
D622,178 S *	8/2010	Kelleghan	D11/201
D645,782 S *	9/2011	Nykoluk	D11/218
D682,155 S *	5/2013	Parsons	D11/218
D737,173 S *	8/2015	Kelleghan	D11/201

* cited by examiner

Primary Examiner — Ralf Seifert

(74) *Attorney, Agent, or Firm* — Thomas M. Freiburger

(57) **CLAIM**

The ornamental design for a belt buckle, substantially as shown and described.

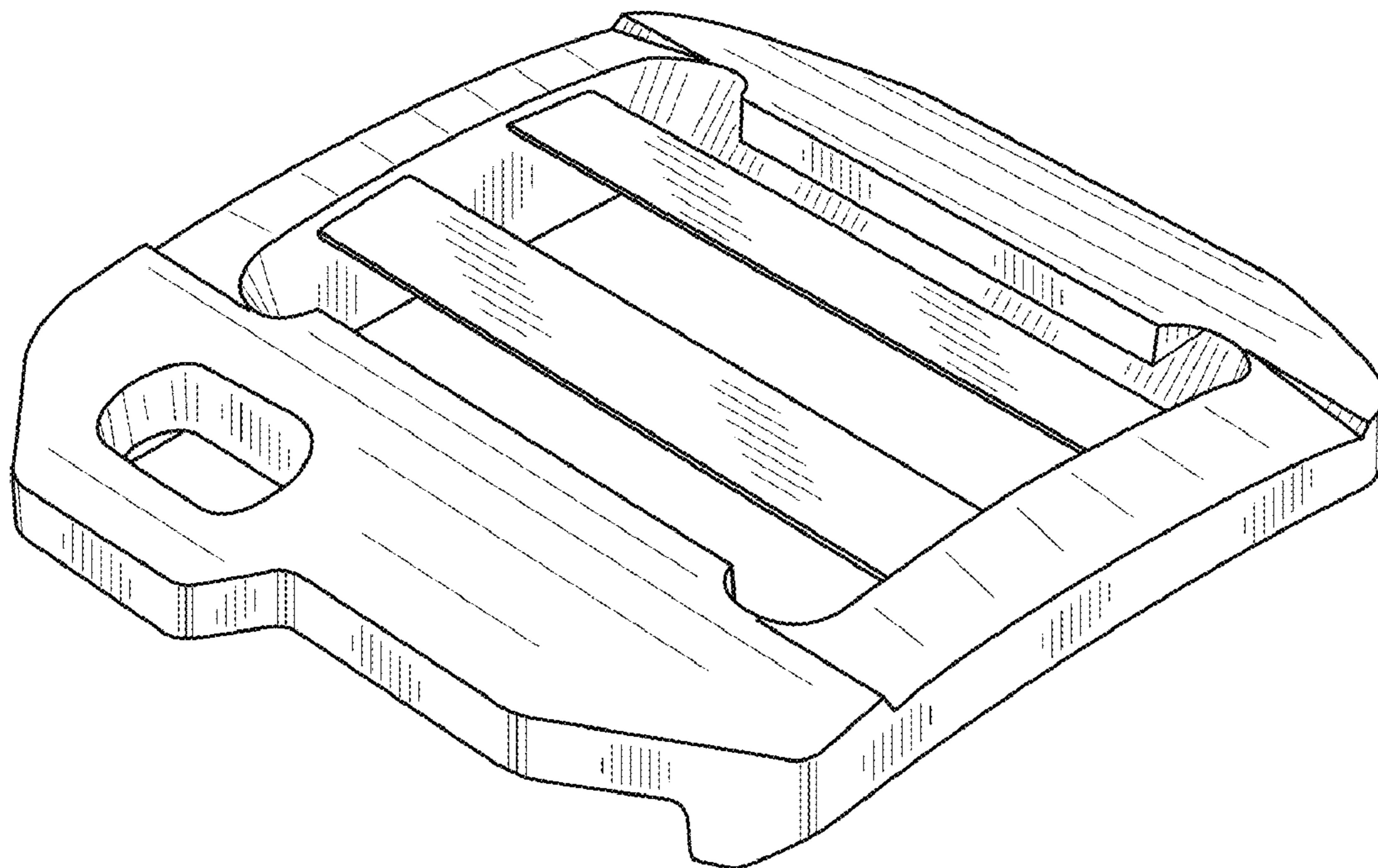
DESCRIPTION

FIG. 1 is a frontal perspective view thereof;
 FIG. 2 is a front plan view thereof;
 FIG. 3 is a cross sectional view thereof, seen along line 3-3 in FIG. 2;
 FIG. 4 is a rear plan view thereof;
 FIG. 5 is a top view thereof;
 FIG. 6 is a bottom view thereof;
 FIG. 7 is a left side view thereof; and,
 FIG. 8 is a right side view thereof.

(56) **References Cited**
 U.S. PATENT DOCUMENTS

D536,280 S *	2/2007	Wemmer	D11/218
D581,314 S *	11/2008	Janz	D11/200

1 Claim, 2 Drawing Sheets



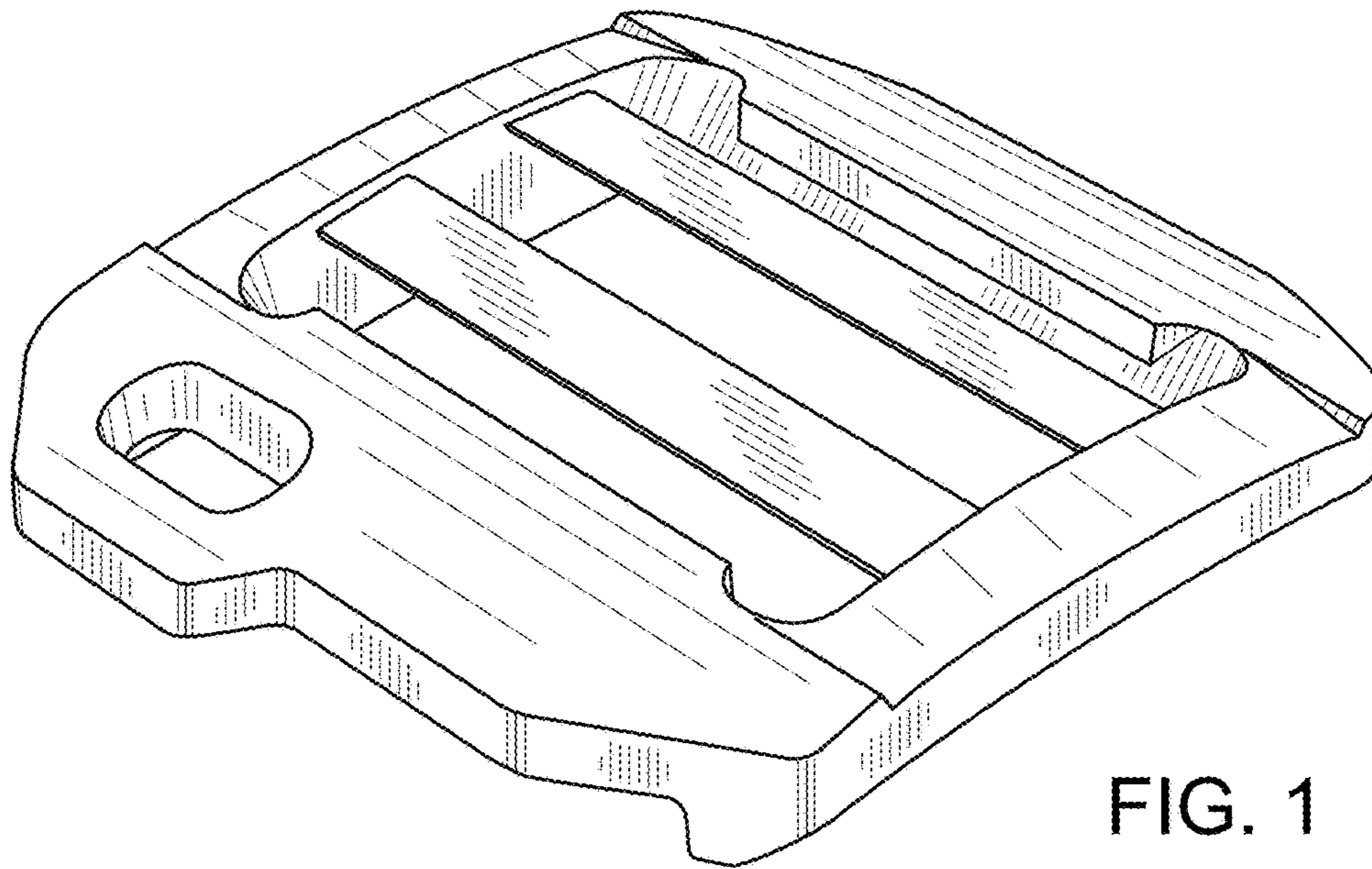


FIG. 1

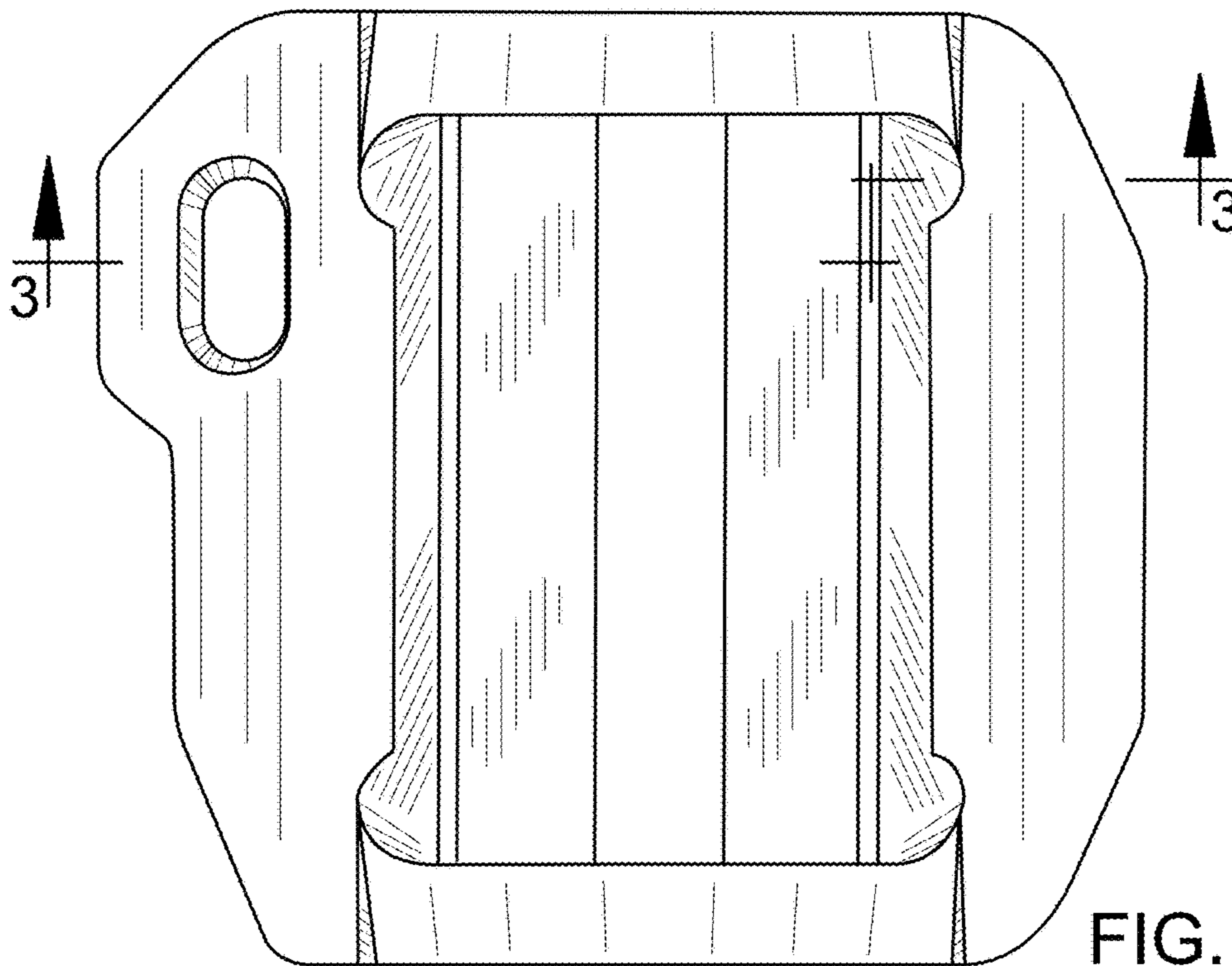


FIG. 2

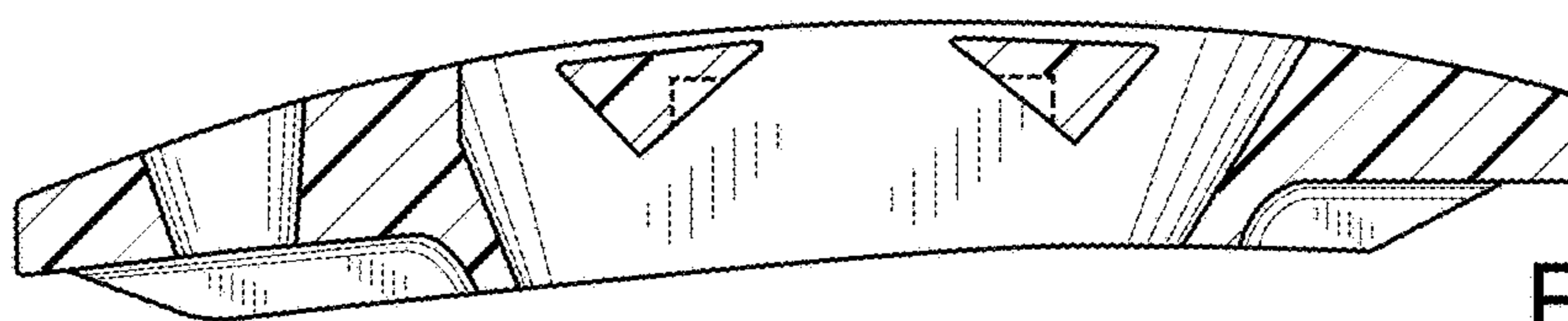


FIG. 3

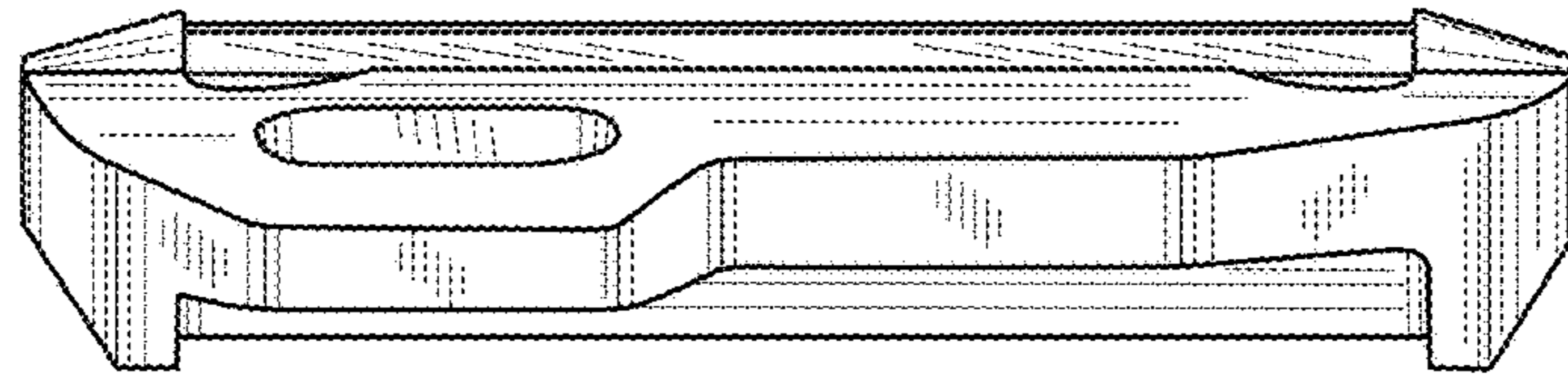


FIG. 7

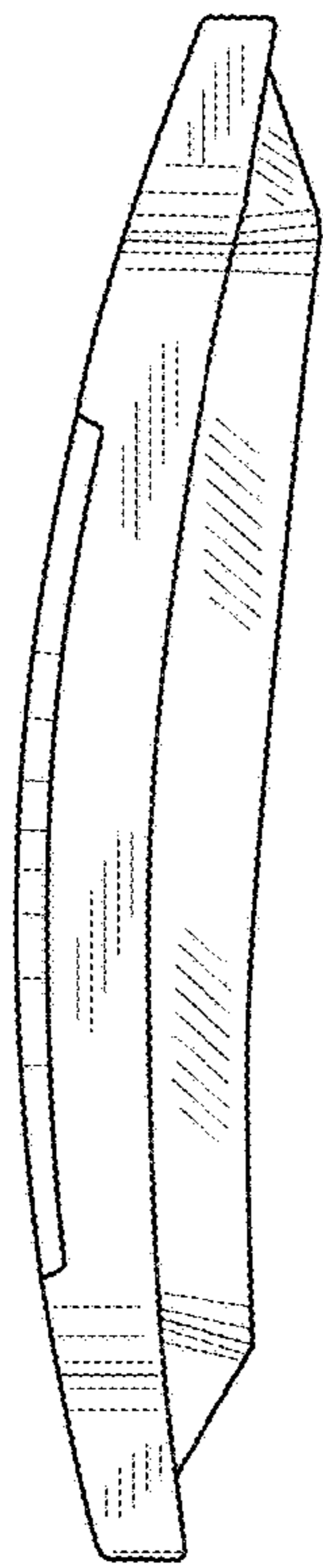


FIG. 5

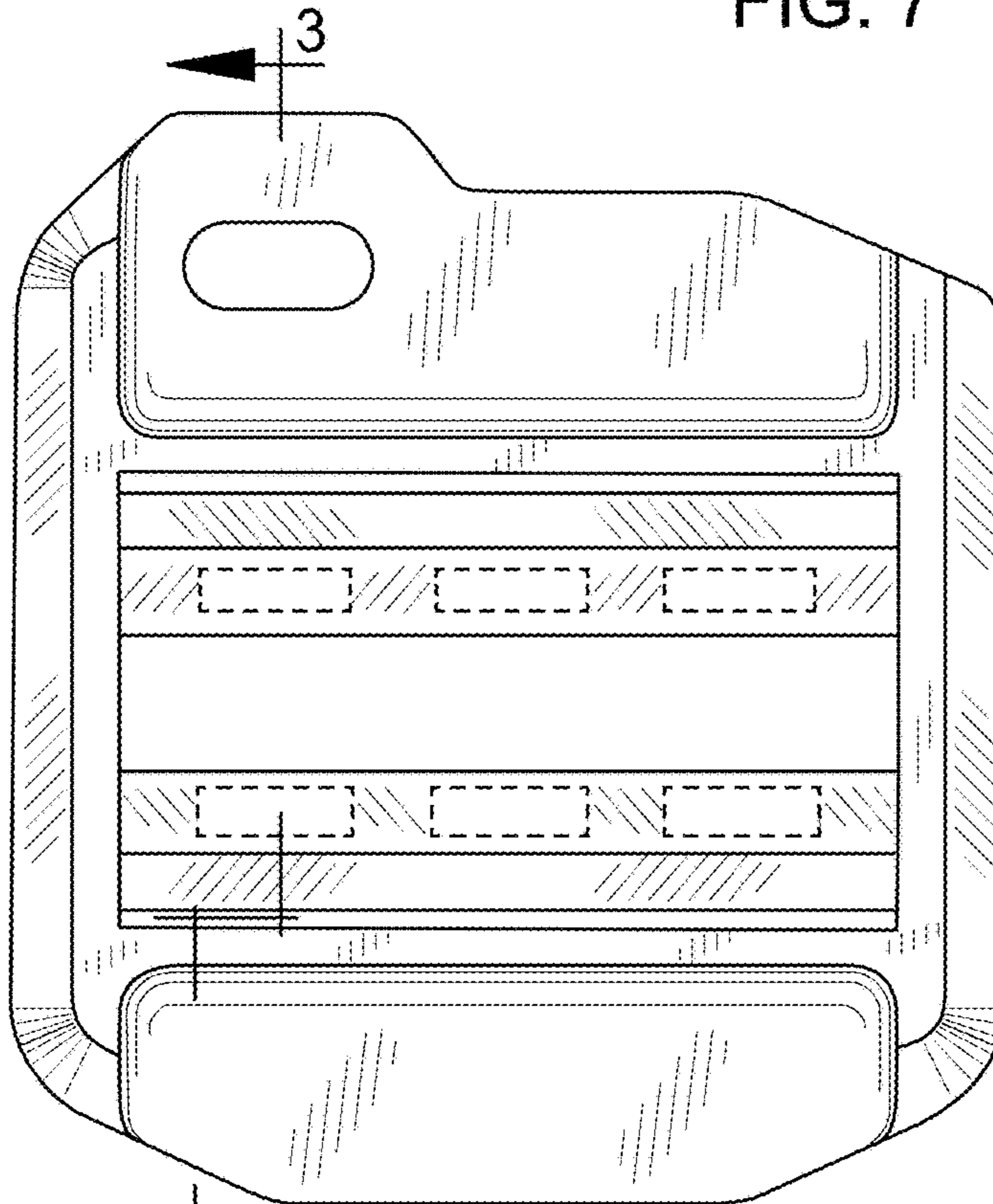


FIG. 4

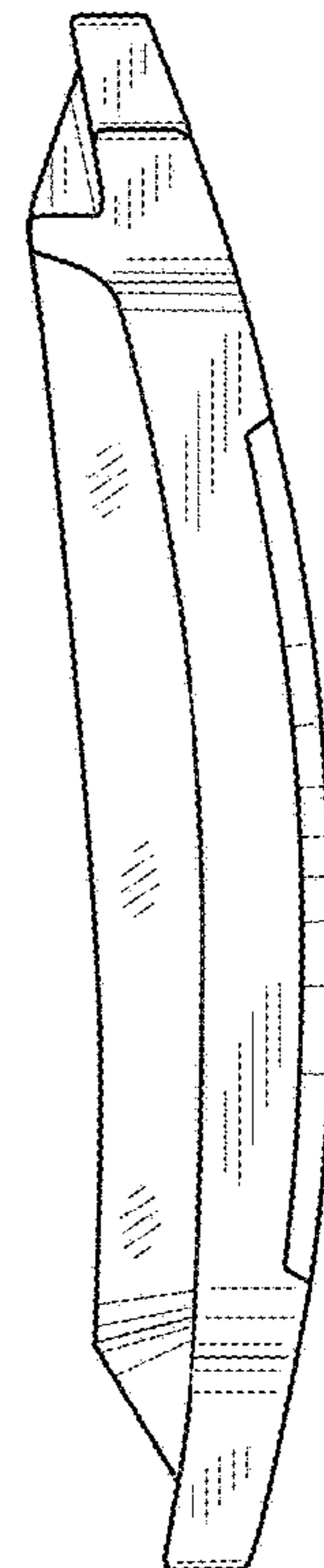


FIG. 6

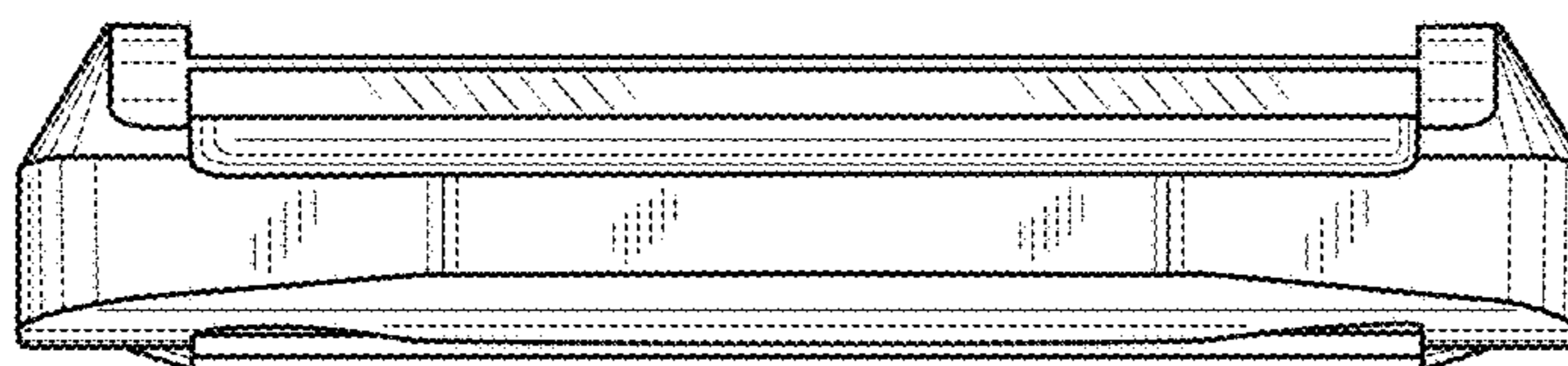


FIG. 8