



US00D782362S

(12) **United States Design Patent**
Sumroy et al.

(10) **Patent No.:** **US D782,362 S**
(45) **Date of Patent:** **** Mar. 28, 2017**

(54) **BUCKLE**

DESCRIPTION

- (71) Applicant: **Carfoldio LTD.**, Raanana (IL)
- (72) Inventors: **Jon Sumroy**, Raanana (IL); **Tal Presenty**, Tel Mond (IL); **Michael Blumenfeld**, Tel Aviv (IL); **Eyal Carmi**, Tel Aviv (IL); **Edna Gadon**, Tel Aviv (IL); **Frank Schenk**, Tel Aviv (IL); **Yoav Tikochinsky**, Tel Aviv (IL)
- (73) Assignee: **CARFOLDIO LTD.**, Raanana (IL)
- (**) Term: **15 Years**
- (21) Appl. No.: **29/554,926**
- (22) Filed: **Feb. 17, 2016**
- (30) **Foreign Application Priority Data**
Nov. 11, 2015 (IL) 57618
- (51) **LOC (10) Cl.** **02-07**
- (52) **U.S. Cl.**
USPC **D11/216**
- (58) **Field of Classification Search**
USPC D11/200–219; 24/163 R, 169–171, 173, 24/177–179, 191, 194–195, 197, 200,
(Continued)
- (56) **References Cited**
U.S. PATENT DOCUMENTS
2,086,767 A * 7/1937 Haas A41F 15/02
24/706.1
D299,008 S * 12/1988 Näslund D8/395
(Continued)

Primary Examiner — Ralf Seifert
(74) *Attorney, Agent, or Firm* — Robert G. Lev

(57) **CLAIM**

We claim an ornamental design for a buckle, as shown in the drawings.

FIG. 1 is a top view of the inventive buckle in a closed position.
 FIG. 2 is a front view of the inventive buckle in a closed position.
 FIG. 3 is a left side view of the inventive buckle in a closed position.
 FIG. 4 is a back view of the inventive buckle in a closed position.
 FIG. 5 is a right side view of the inventive buckle in a closed position.
 FIG. 6 is a top perspective view of the inventive buckle in a closed position.
 FIG. 7 is a bottom perspective view of the inventive buckle in a closed position.
 FIG. 8 is a bottom view of the inventive buckle in a closed position.
 FIG. 9 is a top view of the inventive buckle in the open position.
 FIG. 10 is a front view of the inventive buckle in the open position.
 FIG. 11 is a left side view of the inventive buckle in the open position.
 FIG. 12 is a back view of the inventive buckle in the open position.
 FIG. 13 is a right side view of the inventive buckle in the open position.
 FIG. 14 is a top perspective view of the inventive buckle in the open position.
 FIG. 15 is a bottom prospective view of the inventive buckle in the open position.
 FIG. 16 is a bottom view of the inventive buckle in the open position.
 FIG. 17 is a top view of the inventive buckle with the strap clasp in the open position.
 FIG. 18 is a front view of the inventive buckle with the strap clasp in the open position.
 FIG. 19 is a left side view of the inventive buckle with the strap clasp in the open position.
 FIG. 20 is a back view of the inventive buckle with the strap clasp in the open position.
 FIG. 21 is a right side view of the inventive buckle with the strap clasp in the open position.

(Continued)

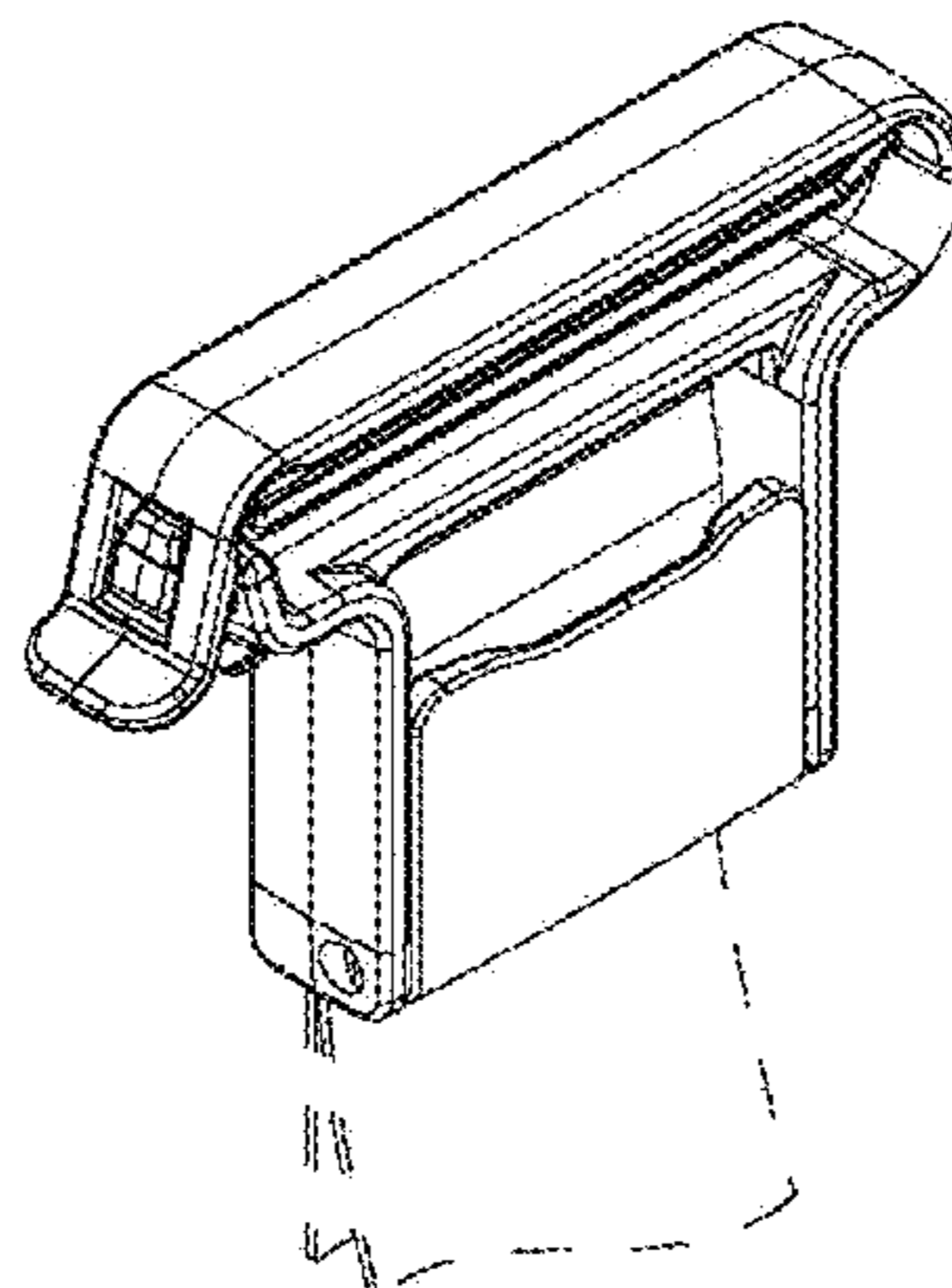


FIG. 22 is a top perspective view of the inventive buckle with the strap clasp in the open position.

FIG. 23 is a bottom perspective view of the inventive buckle with the strap clasp in the open position; and,

FIG. 24 is a bottom view of the inventive buckle with the strap clasp in the open position.

1 Claim, 12 Drawing Sheets

(58) **Field of Classification Search**

USPC 24/614-616, 625, 198, 578.11, 578.1,
24/163 K, 114, 307, 313; D8/395

CPC A44B 11/26; A44B 11/25; A44B 11/06

See application file for complete search history.

(56) **References Cited**

U.S. PATENT DOCUMENTS

5,598,608 A * 2/1997 Naslund B65D 33/1675
24/30.5 P

5,706,560 A * 1/1998 Anscher A44B 11/02
24/30.5 P

D586,257 S * 2/2009 Goldman D11/200

D616,332 S * 5/2010 Anscher D11/216

D735,074 S * 7/2015 Paik D11/200

* cited by examiner



Fig. 1

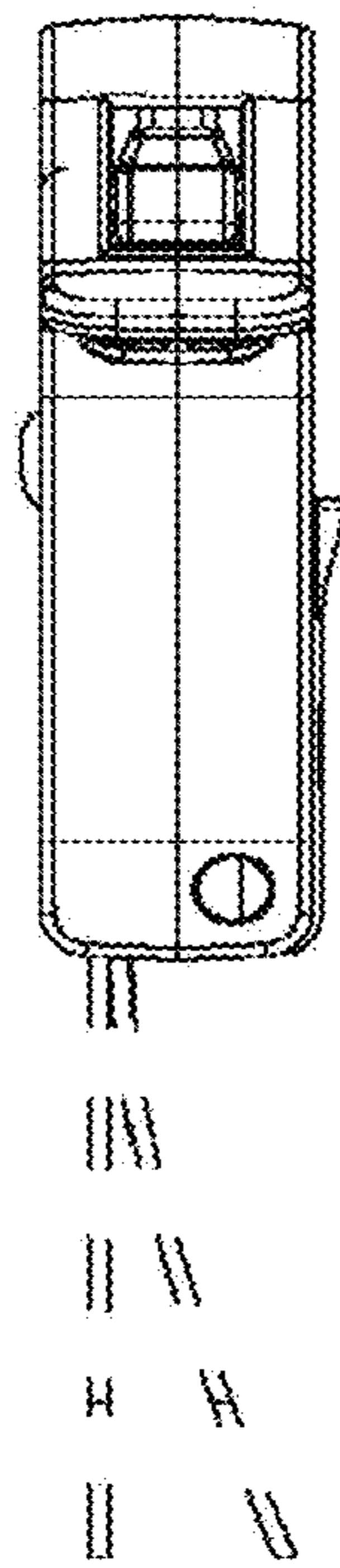


Fig. 2

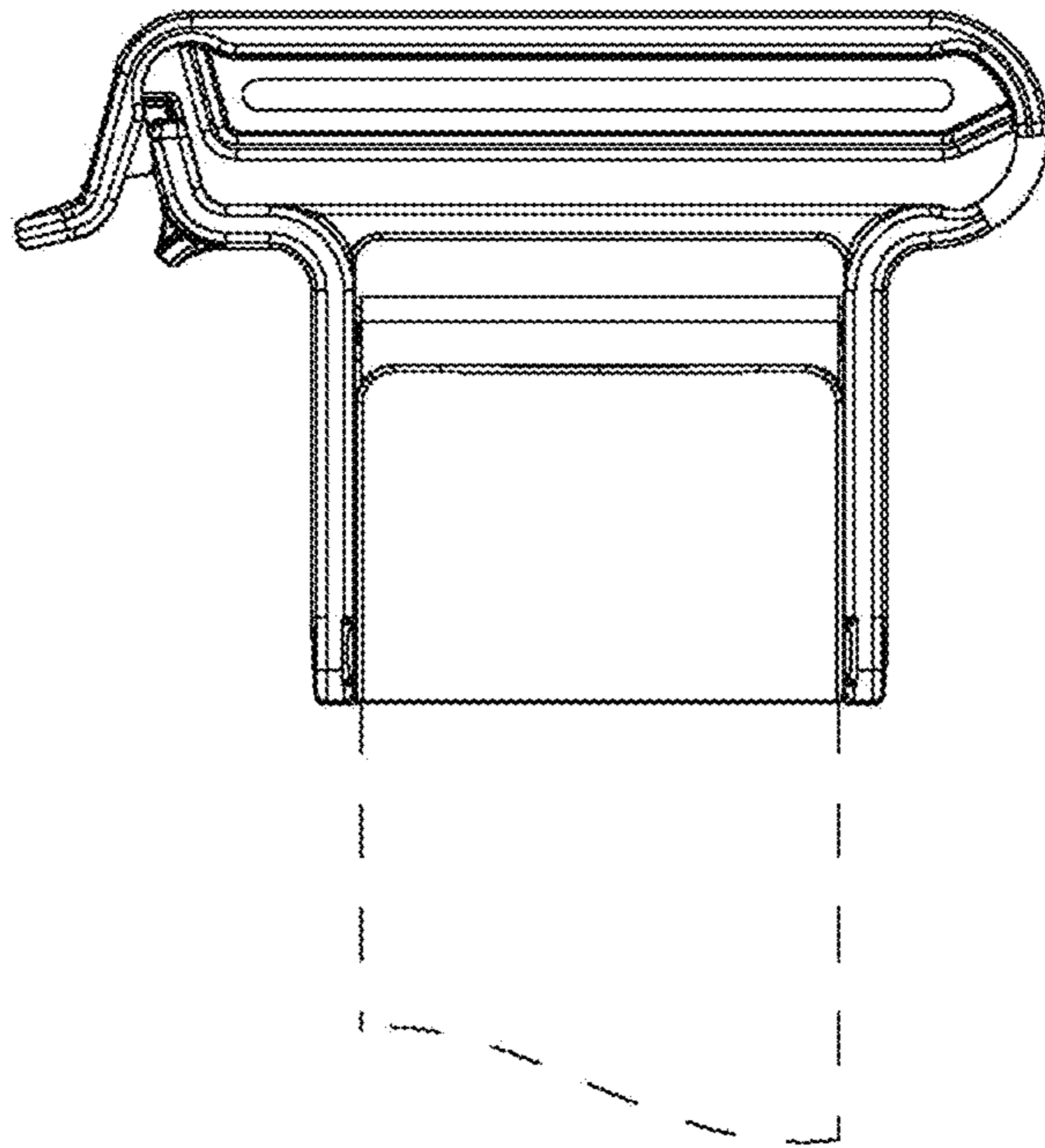


Fig. 3

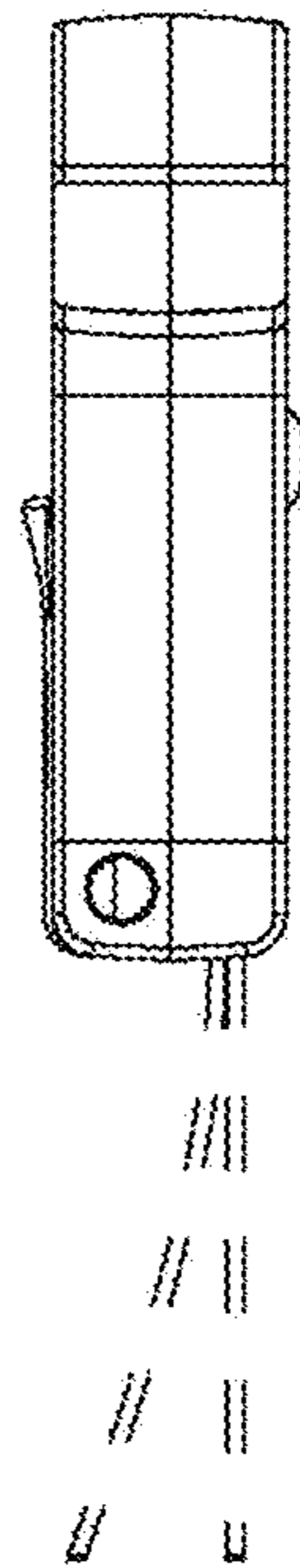


Fig. 4

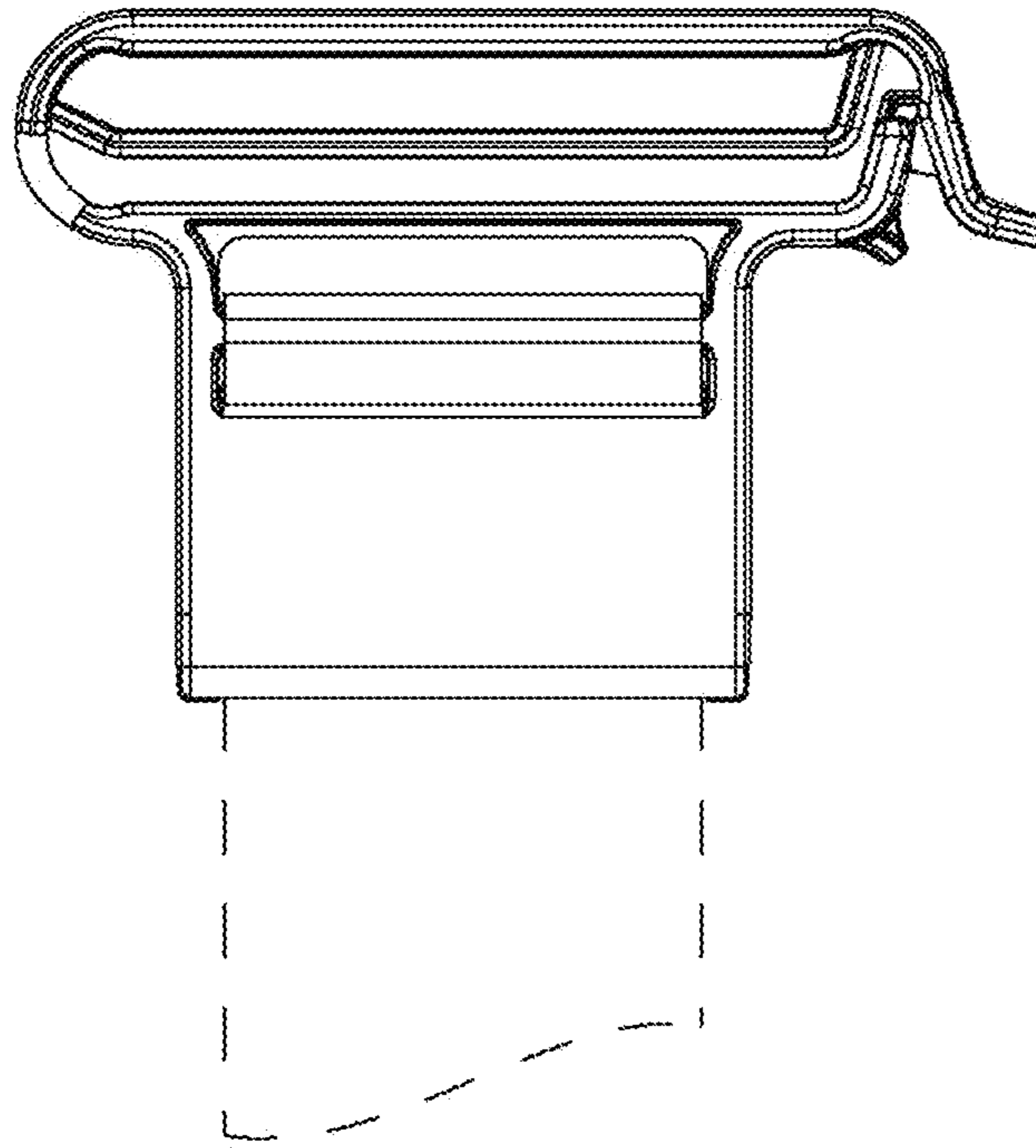


Fig. 5

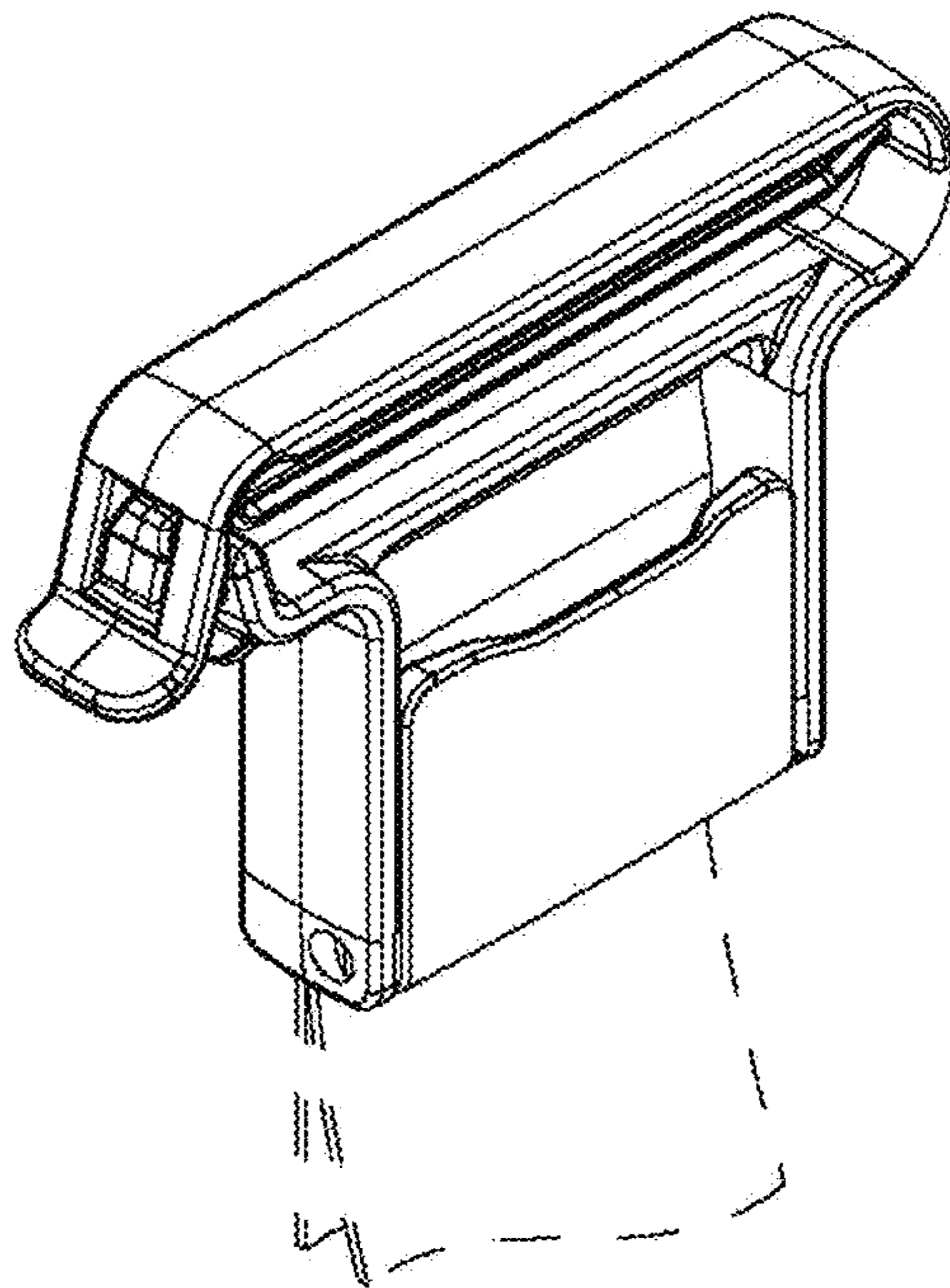


Fig. 6

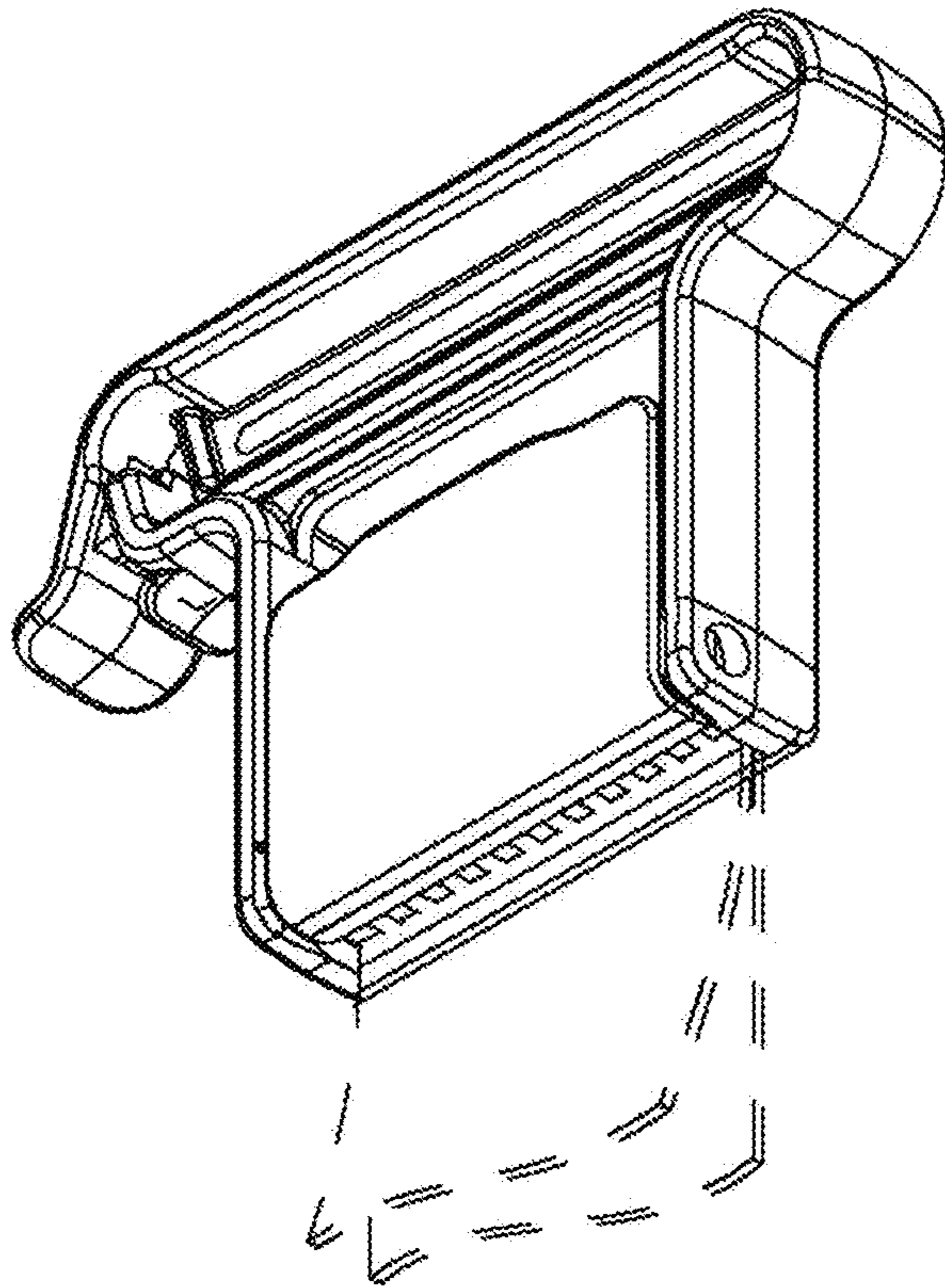


Fig. 7

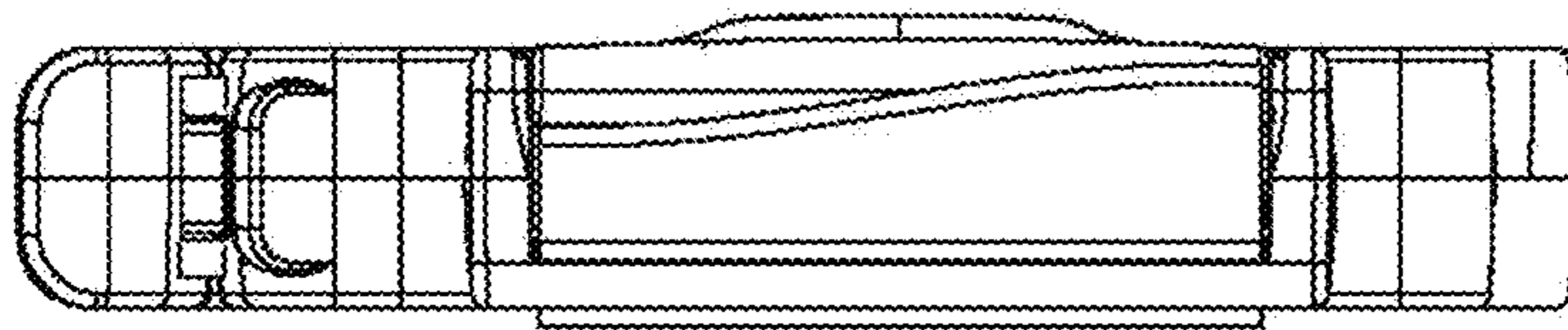


Fig. 8

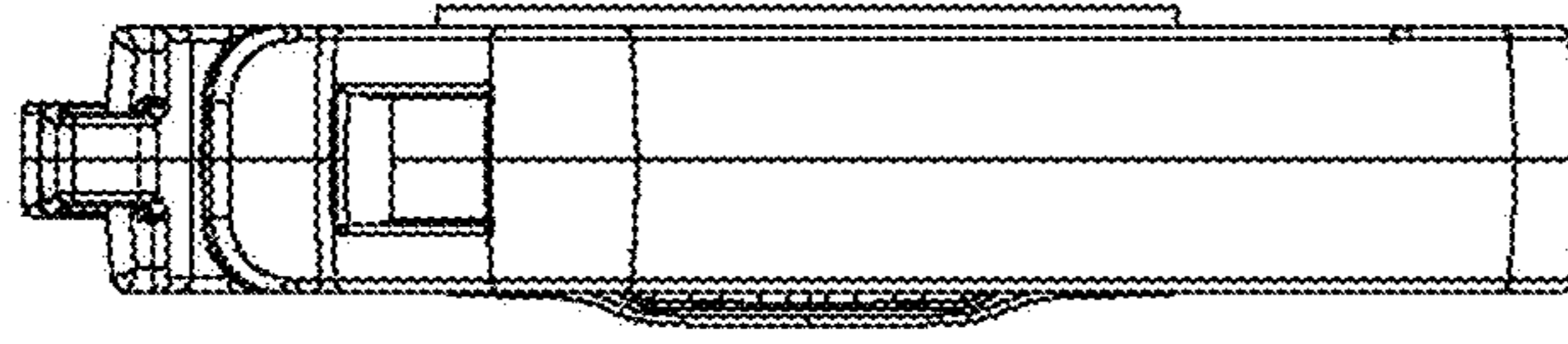


Fig. 9

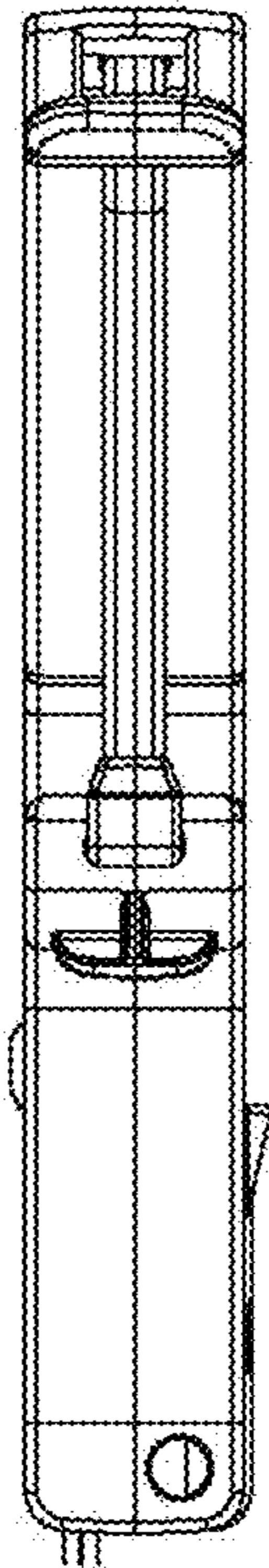
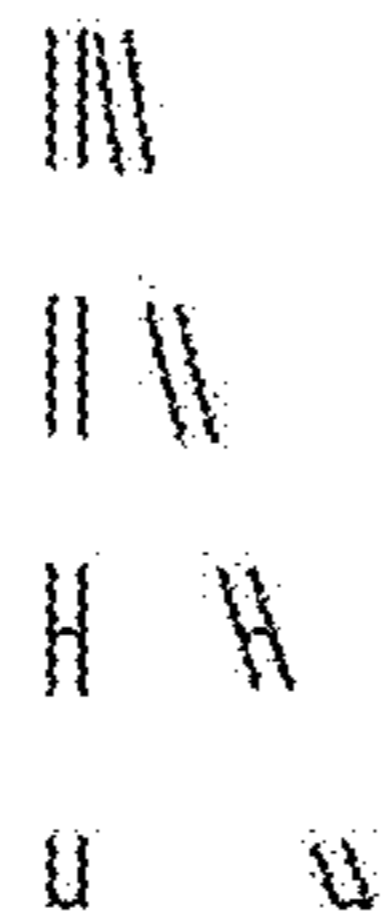


Fig. 10



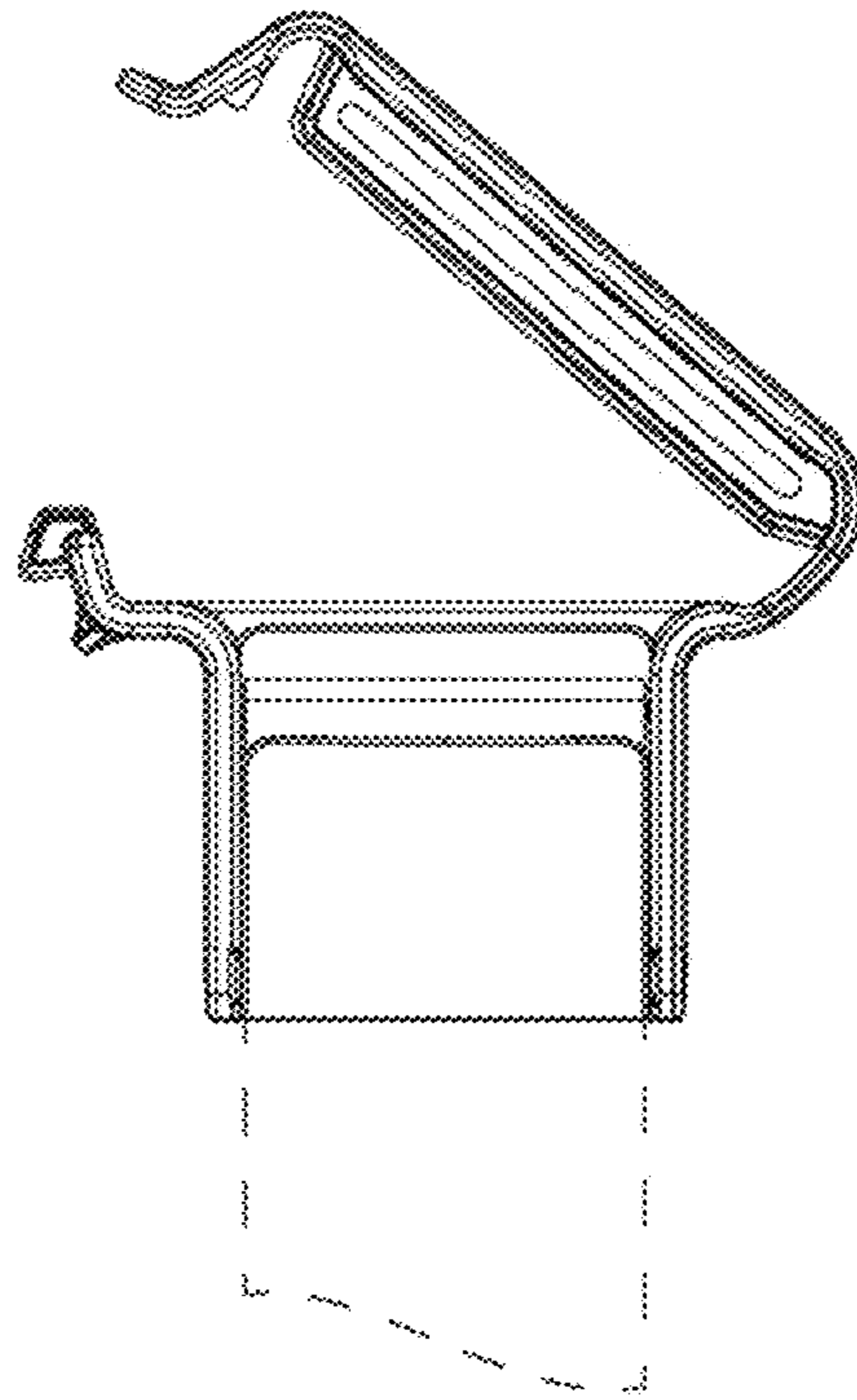


Fig. 11

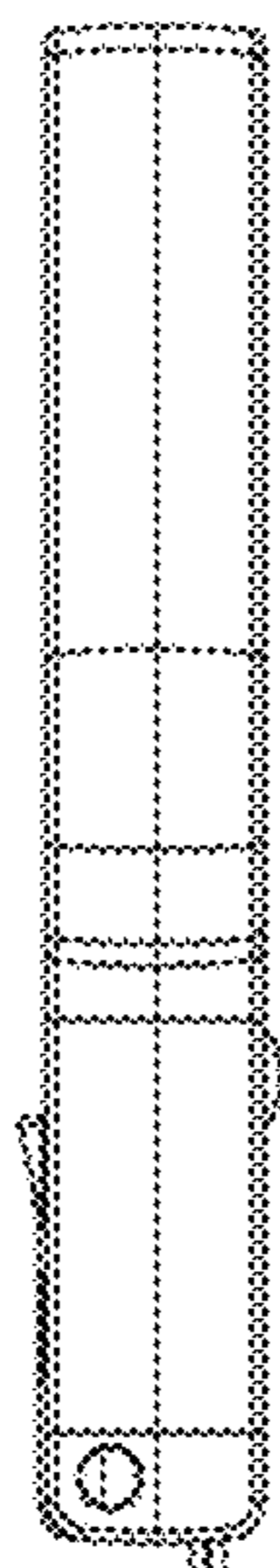


Fig. 12

///
//
//
//

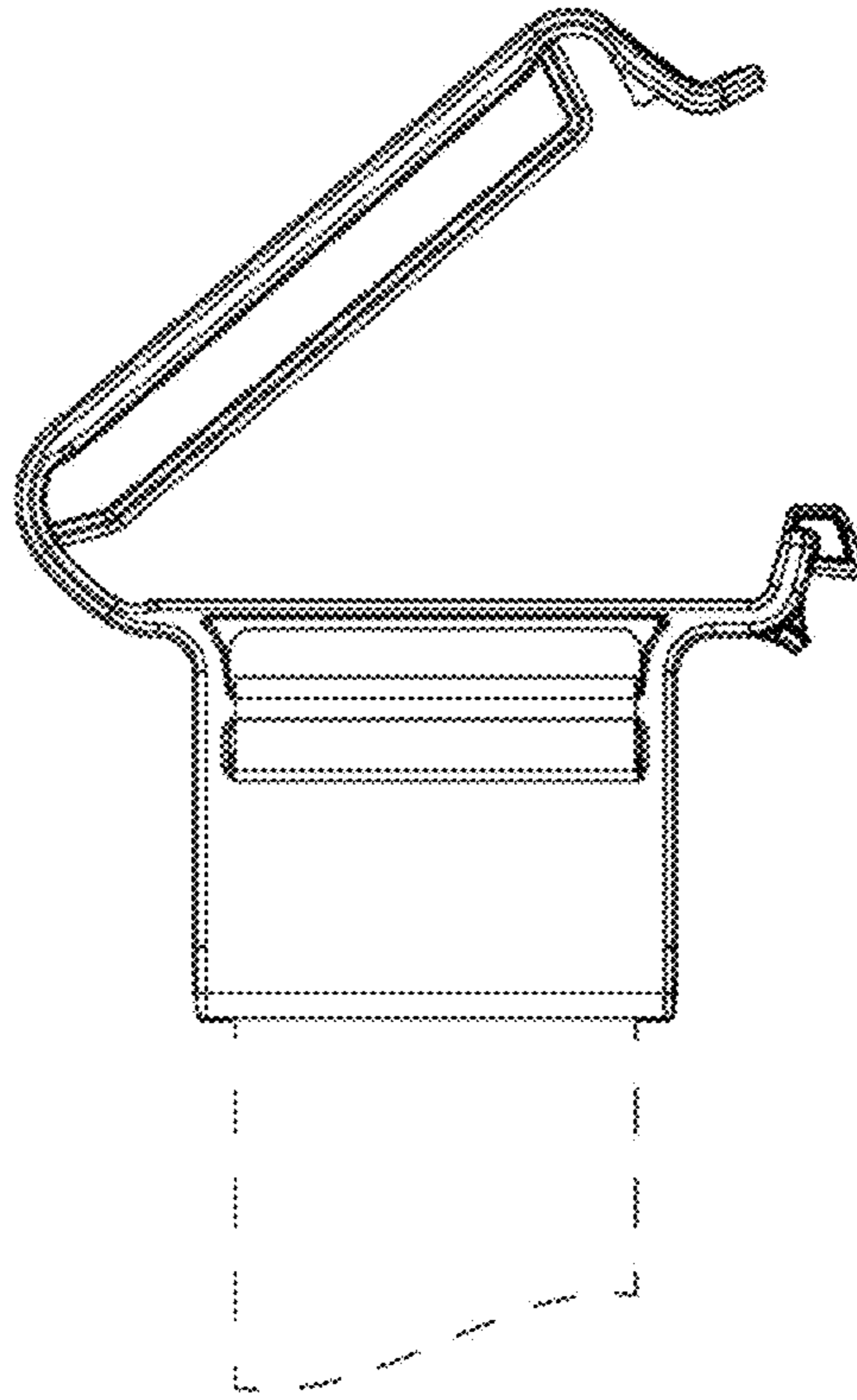


Fig. 13

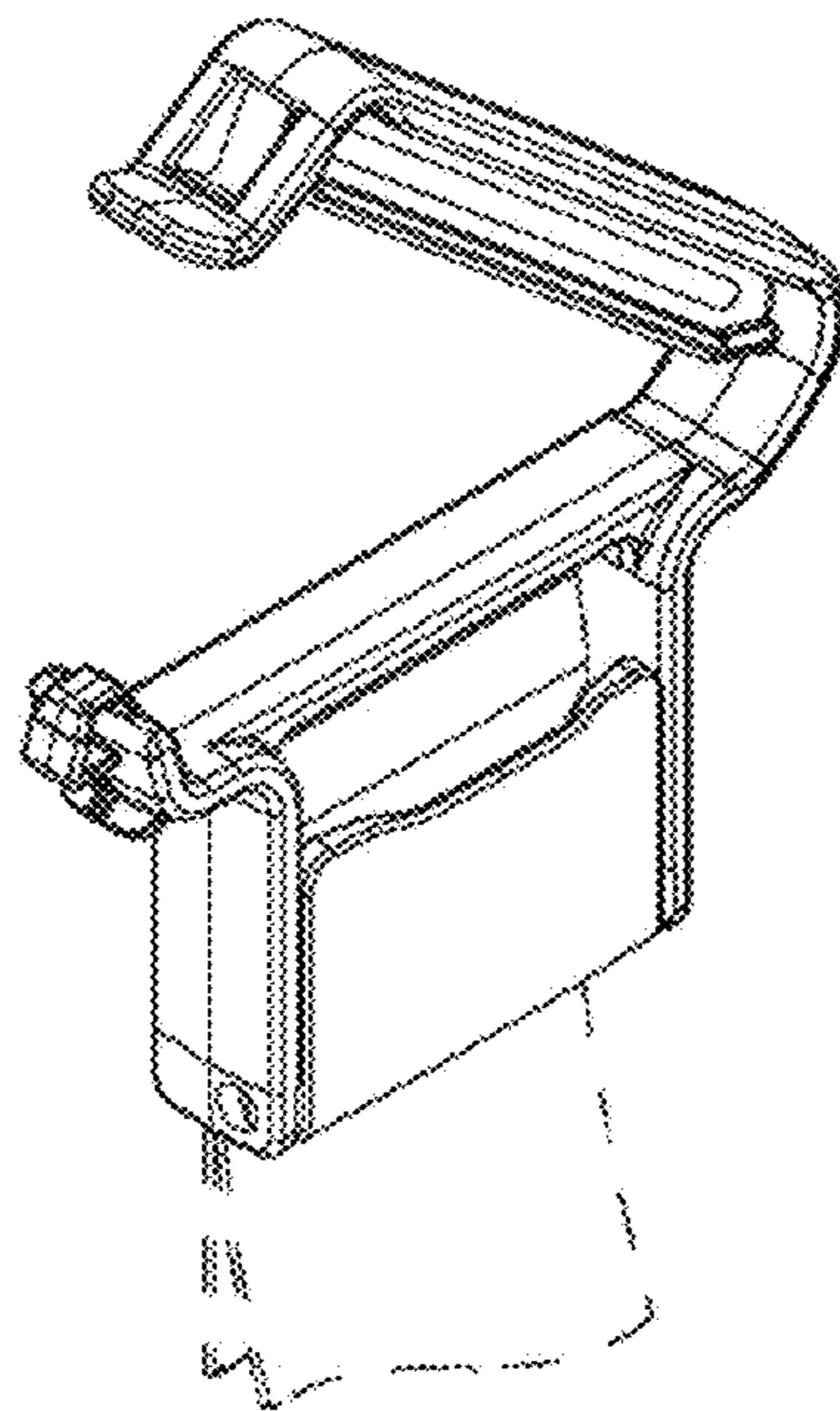


Fig. 14

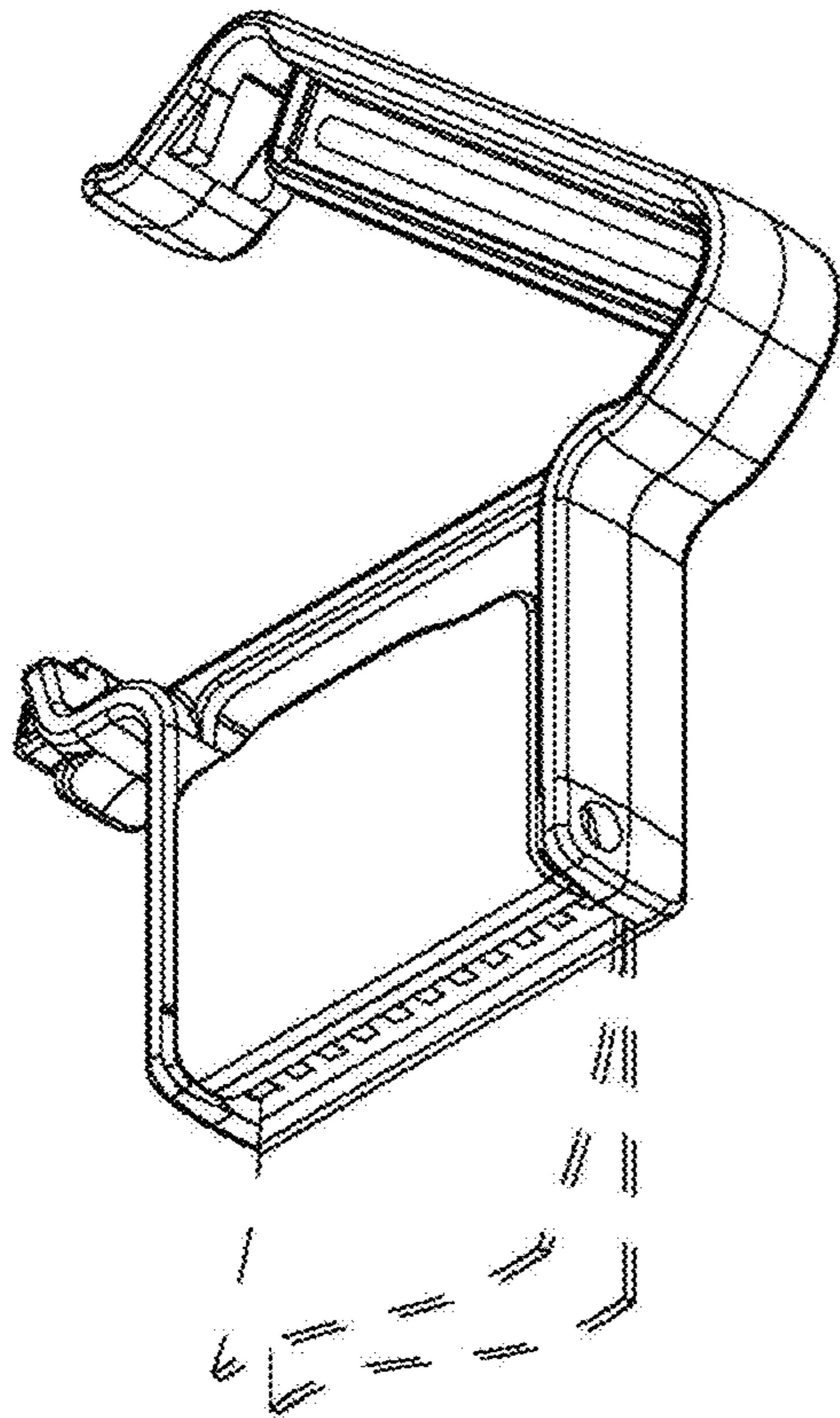


Fig. 15

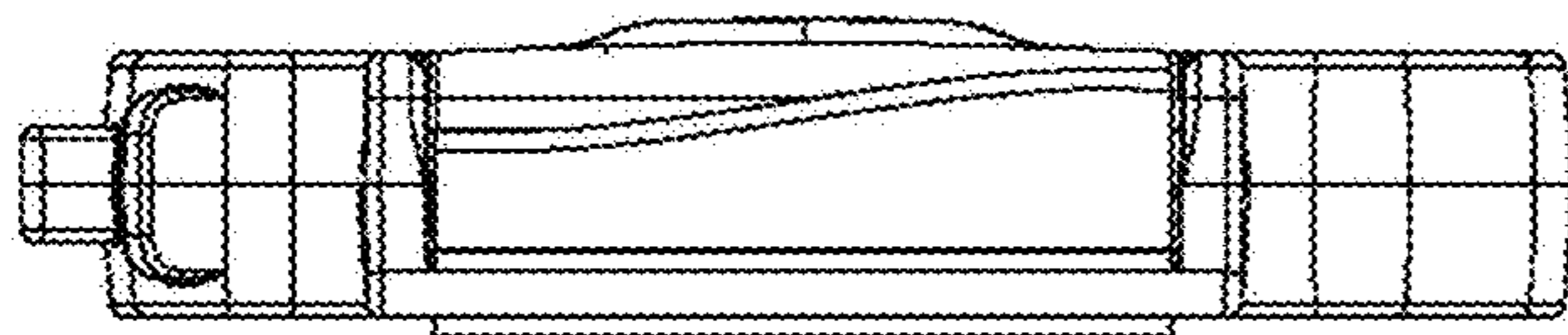


Fig. 16

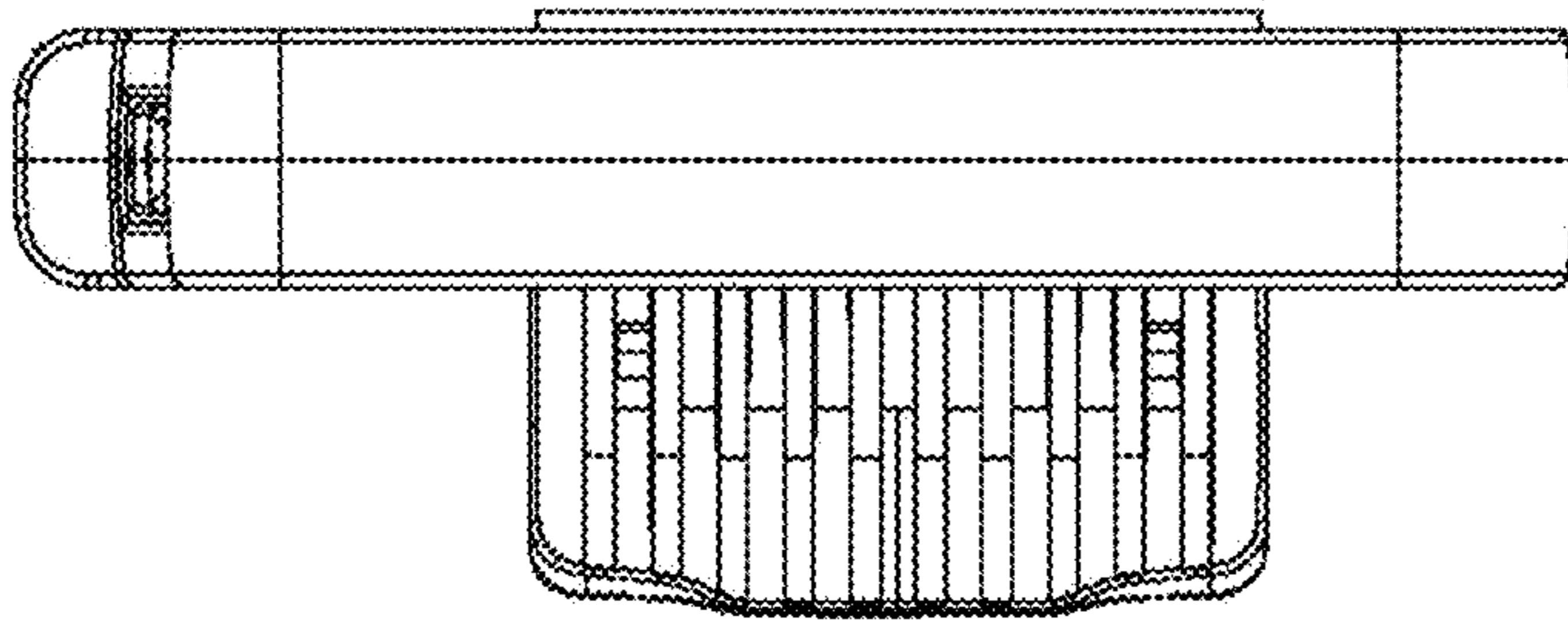


Fig. 17

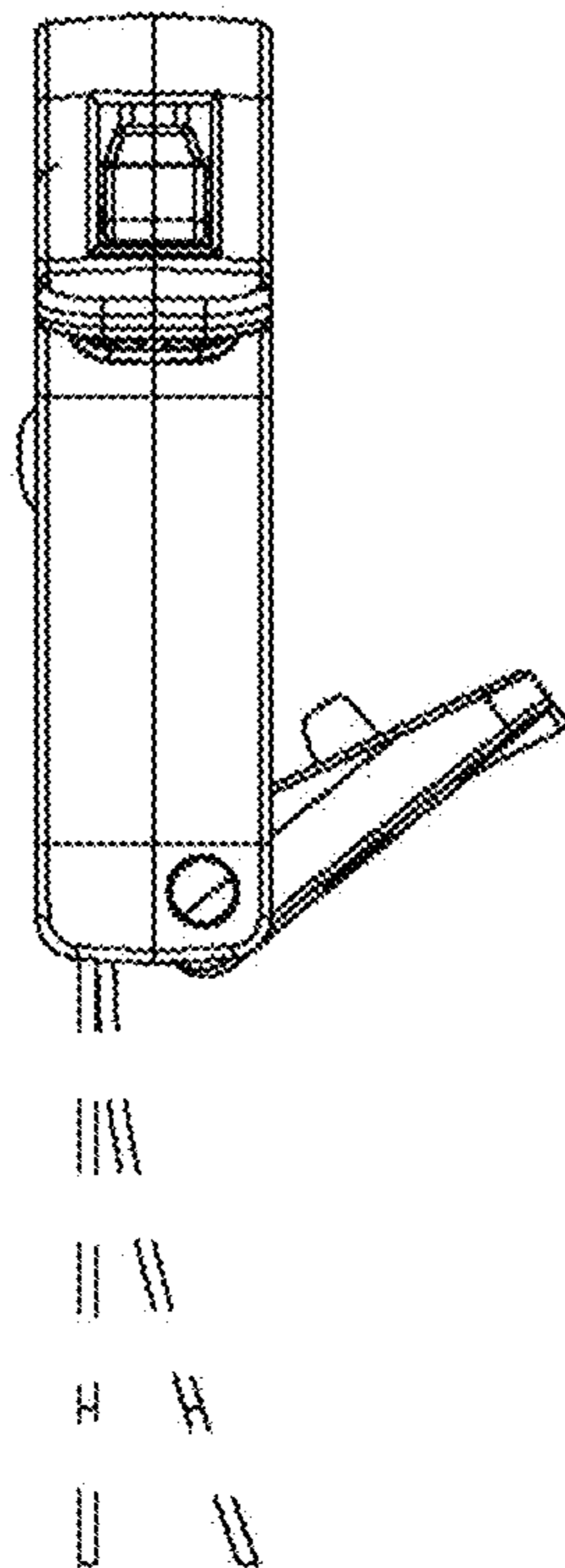


Fig. 18

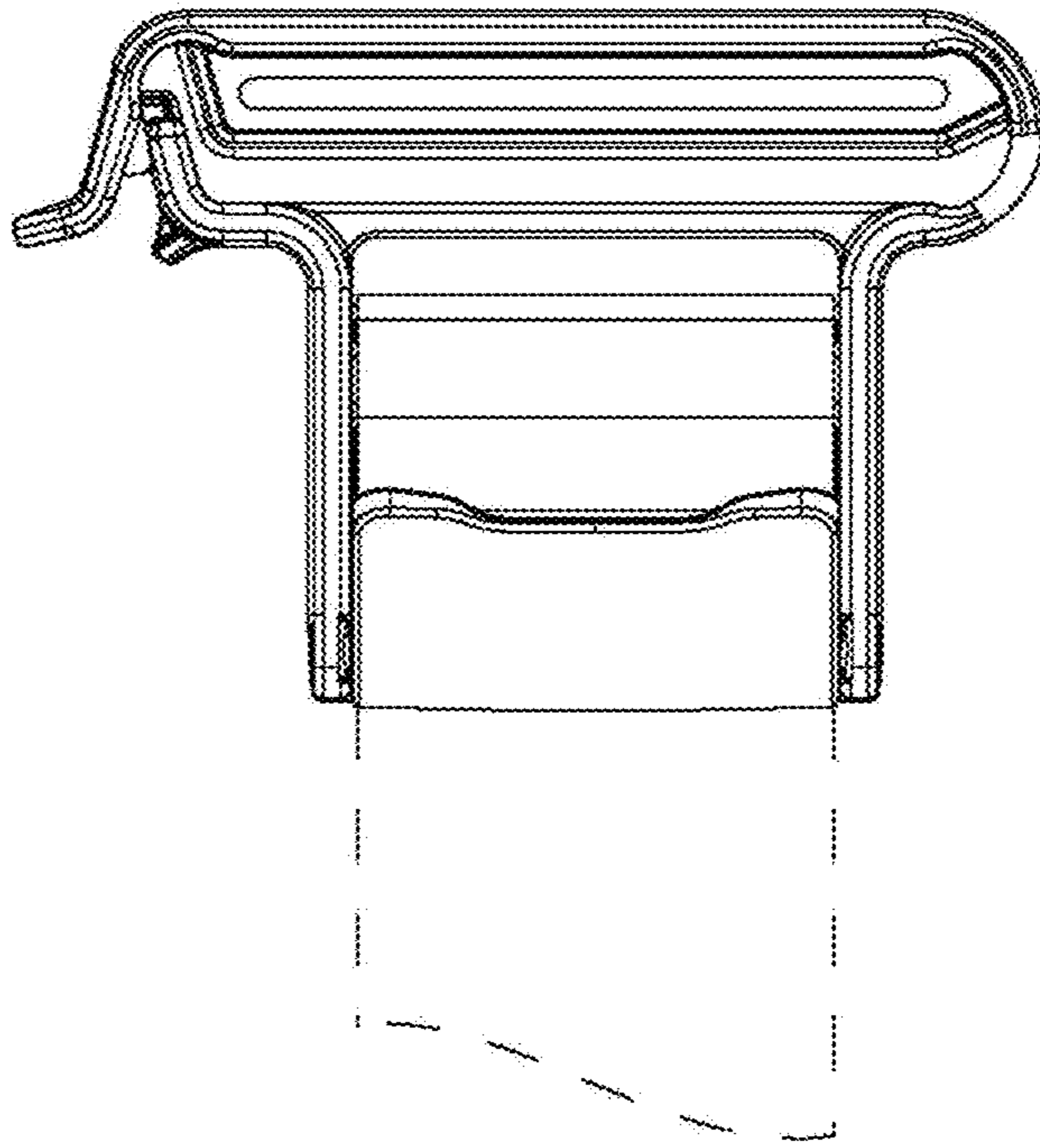


Fig. 19

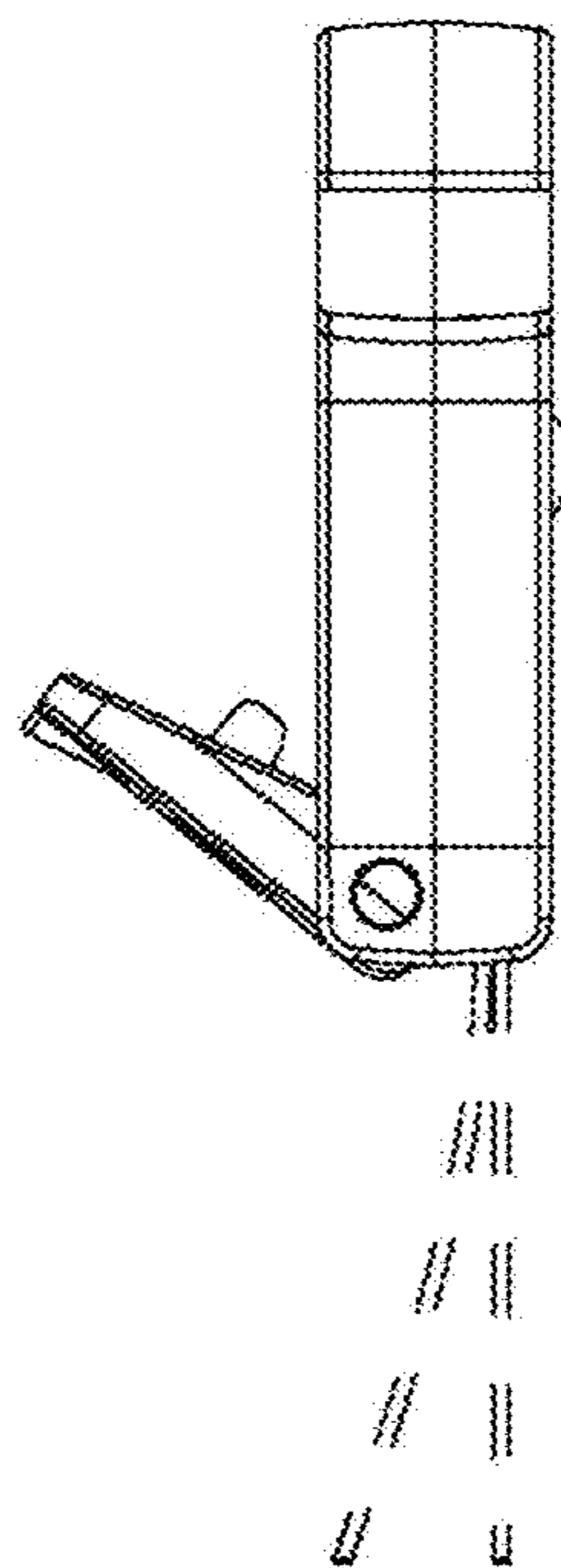


Fig. 20

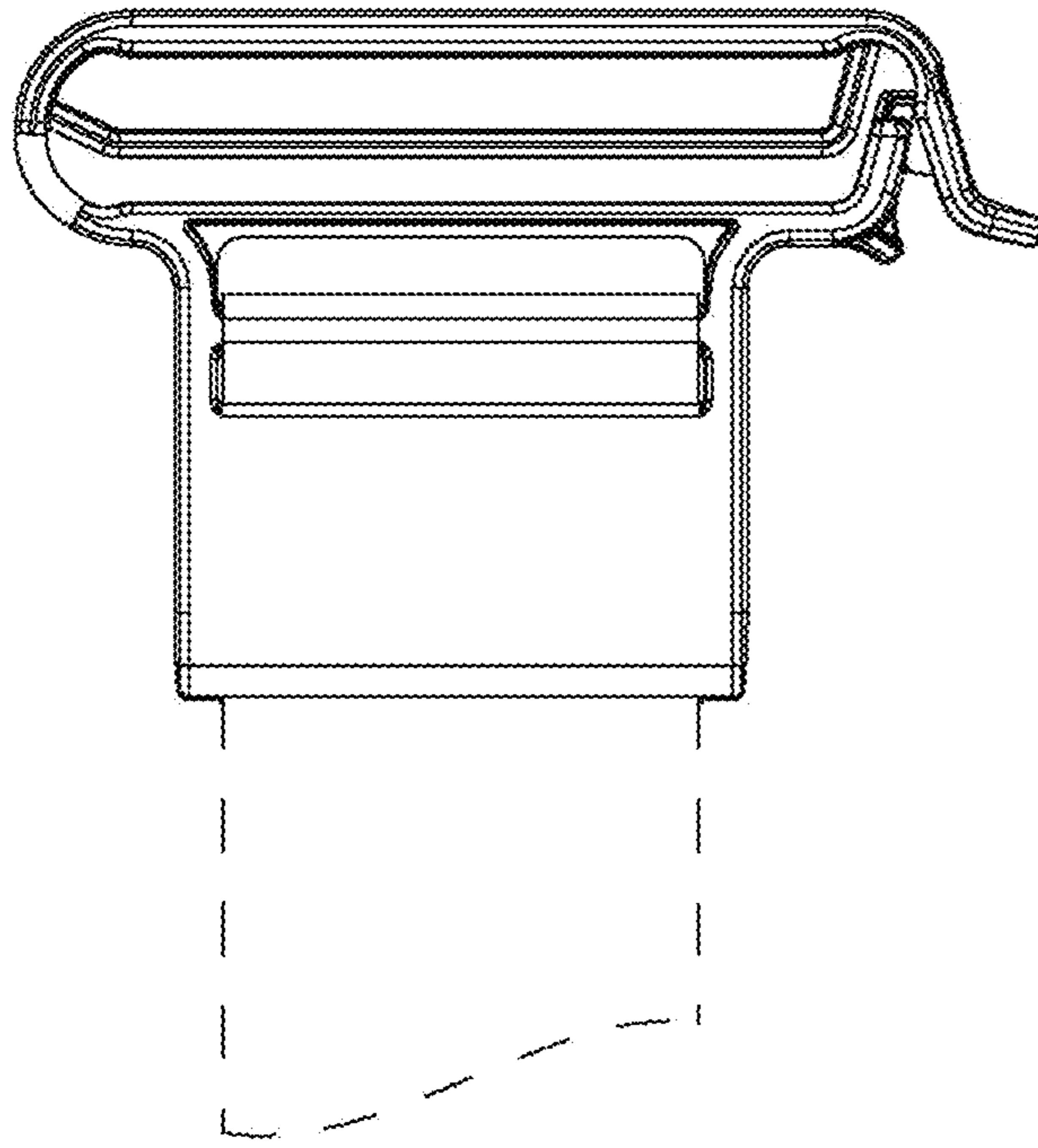


Fig. 21

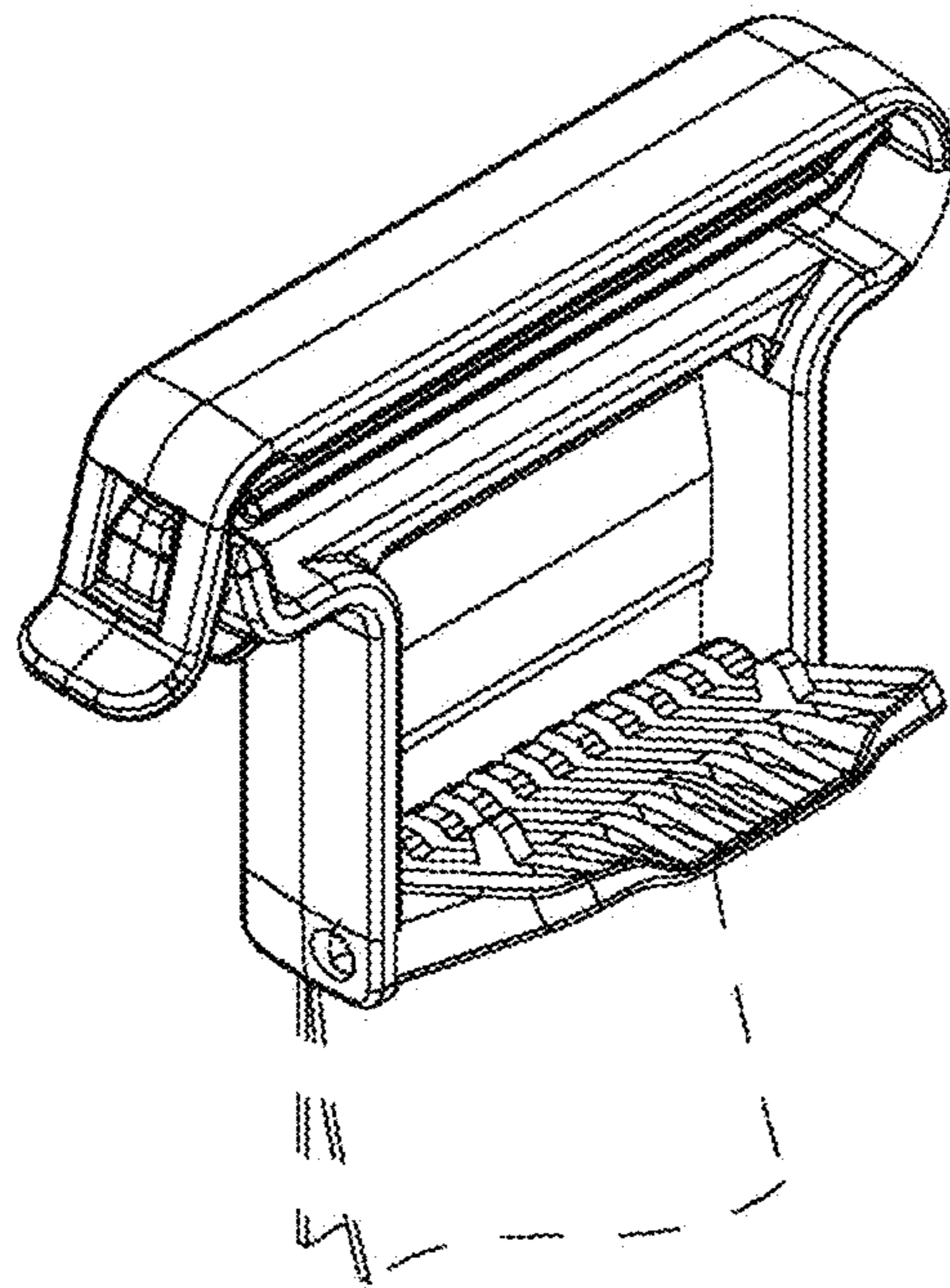


Fig. 22

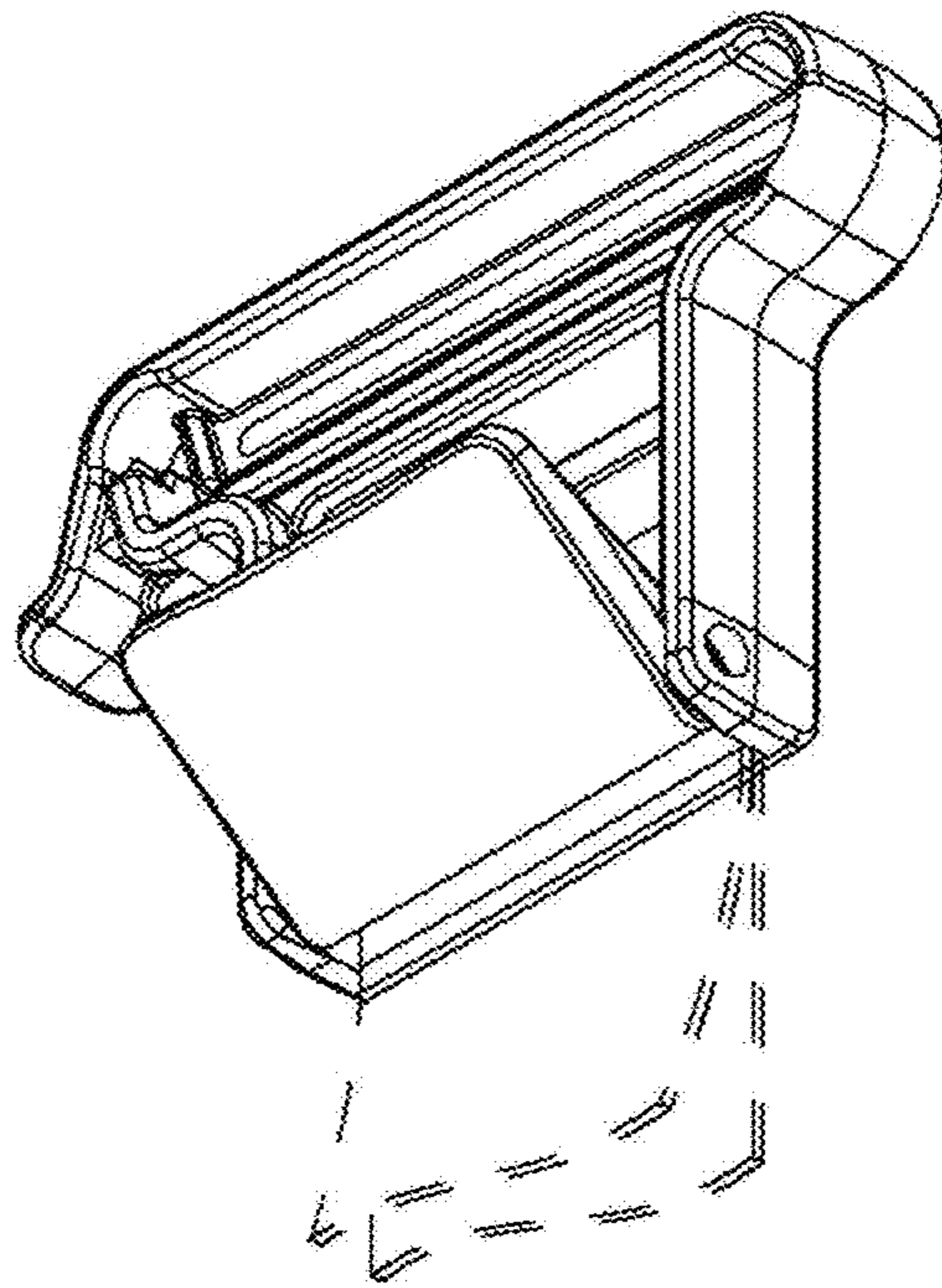


Fig. 23

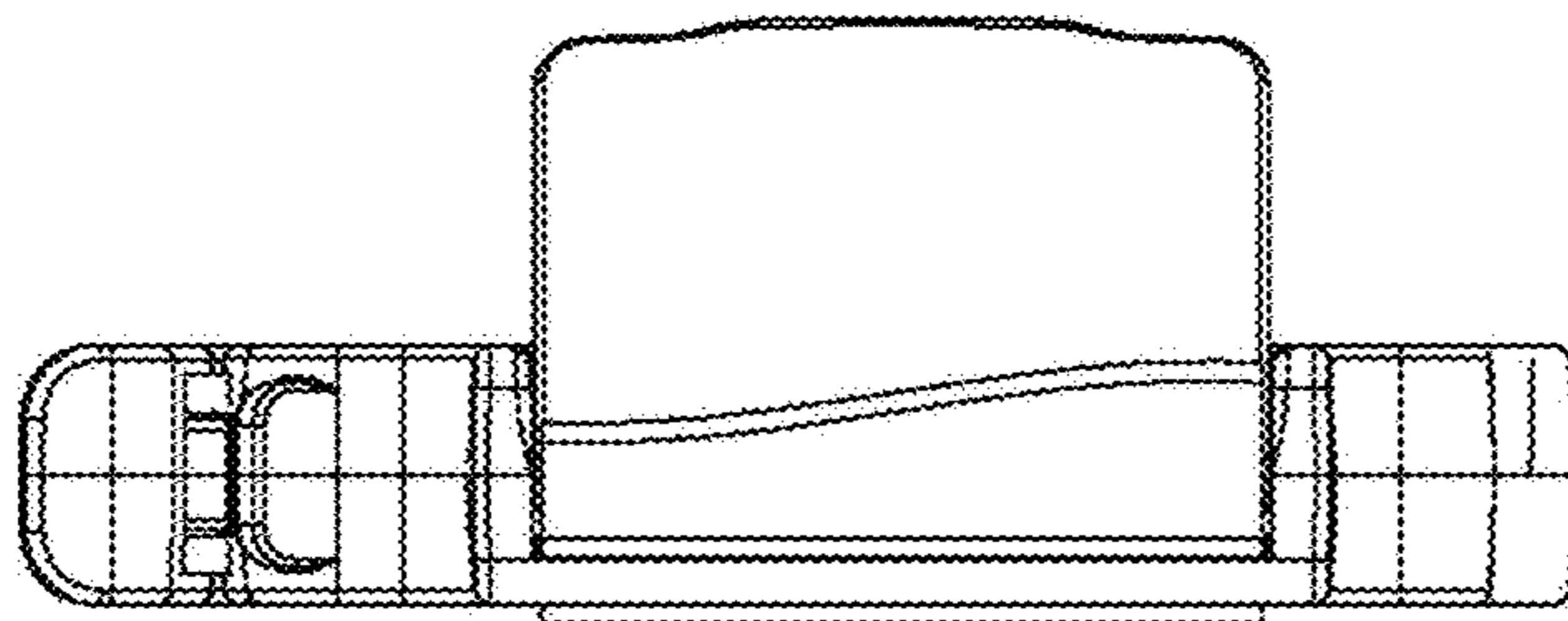


Fig. 24