



US00D782361S

(12) **United States Design Patent**
Williams et al.

(10) **Patent No.:** **US D782,361 S**
(45) **Date of Patent:** **** Mar. 28, 2017**

(54) **THREE TIER PLANTER**

(71) Applicants: **Alan Williams**, Ridgeway, SC (US);
Sandra Cooks, Ridgeway, SC (US)

(72) Inventors: **Alan Williams**, Ridgeway, SC (US);
Sandra Cooks, Ridgeway, SC (US)

(**) Term: **15 Years**

(21) Appl. No.: **29/544,009**

(22) Filed: **Oct. 29, 2015**

(51) **LOC (10) Cl.** **11-02**

(52) **U.S. Cl.**
USPC **D11/143; D6/405; D11/153**

(58) **Field of Classification Search**
USPC **D11/143, 152, 155, 153**
CPC **A01G 17/14; A01G 17/06; A01G 9/04;**
A01G 9/02; A01G 7/045; A01G 9/023;
A47G 7/044

See application file for complete search history.

(56) **References Cited**

U.S. PATENT DOCUMENTS

- 2,720,056 A * 10/1955 Levy A47G 7/044
362/122
- D221,571 S * 8/1971 Stevens 47/82
- D224,746 S * 9/1972 Kyle 47/39
- 4,250,666 A * 2/1981 Rakestraw A01G 7/045
211/131.1
- D281,406 S * 11/1985 Guenat D11/143
- 4,635,394 A 1/1987 Brown
- 5,450,692 A * 9/1995 Ruibal A01G 9/023
47/39
- 5,577,344 A 11/1996 Zarembo et al.
- 6,029,937 A 2/2000 Funaro

- D453,883 S 2/2002 Conde
- 6,345,466 B1 2/2002 Venanzi
- D481,653 S * 11/2003 Kalema D11/143
- 6,665,980 B2 12/2003 Laske, Jr.
- D651,023 S * 12/2011 Sparkowski D6/680

FOREIGN PATENT DOCUMENTS

WO W02011136842 11/2011

OTHER PUBLICATIONS

Plant Stand | Three Tier, Terracotta, Large | Sana Enterprises, posted at Amazon.com, posting date not given, © 1996-2016 Amazon.com, [online], [site visited Aug. 29, 2016]. Available from Internet, <URL: https://www.amazon.com/PlantStandThreeTerracottaLarge/dp/B0029YFIEI/ref=cm_cr_arp_d_product_top?ie=UTF8>.*

* cited by examiner

Primary Examiner — Caron D Veynar

Assistant Examiner — Laura Yu

(57) **CLAIM**

The ornamental design for a three tier planter, as shown and described.

DESCRIPTION

FIG. 1 is a front view of a three tier planter showing our new design, back, left side, and right side views each being identical;

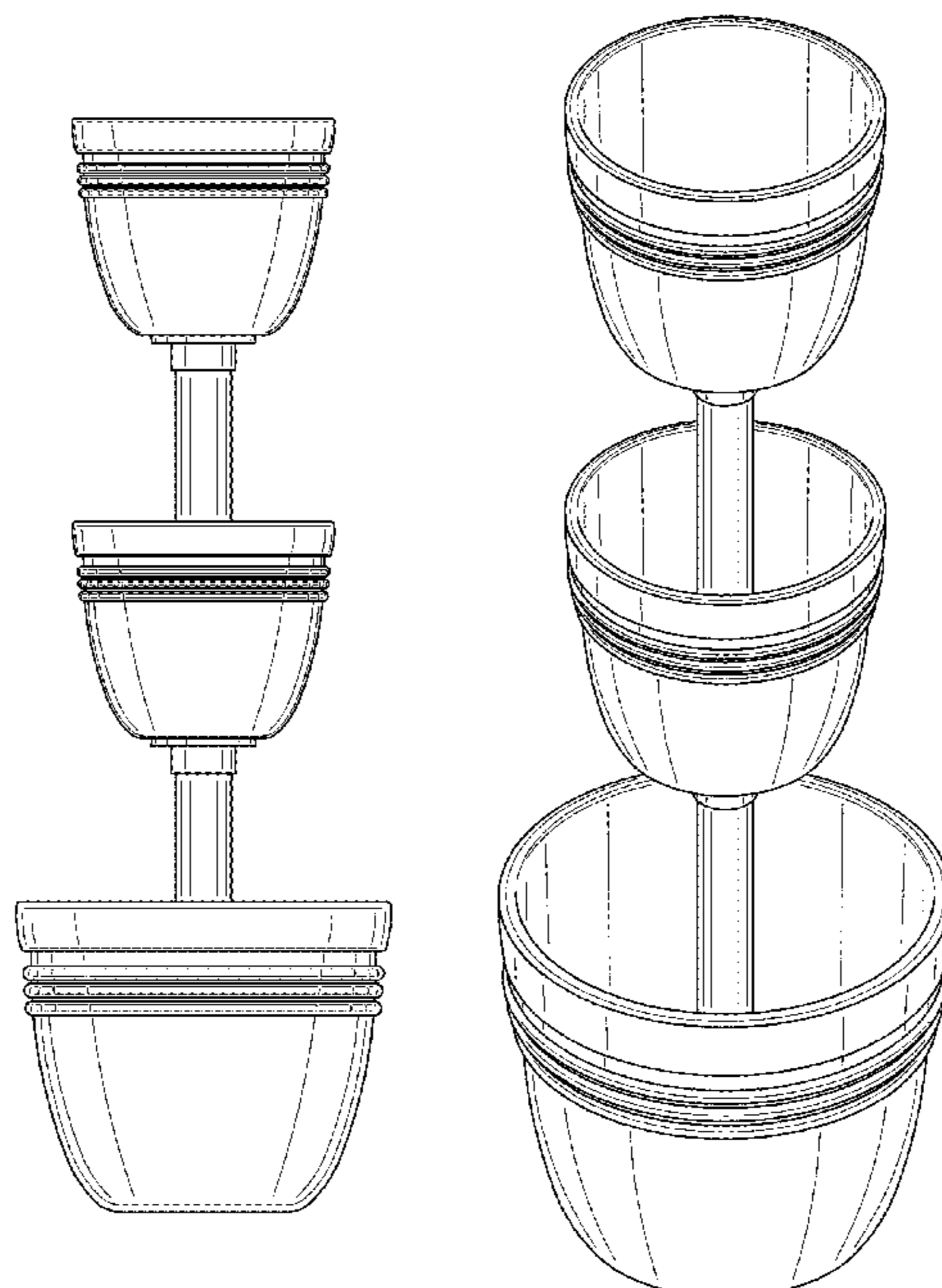
FIG. 2 is a top view of the three tier planter;

FIG. 3 is a bottom view of the three tier planter;

FIG. 4 is a top front side perspective view of the three tier planter; and,

FIG. 5 is a cross-sectional view of the three tier planter taken along line 5-5 of FIG. 2.

1 Claim, 4 Drawing Sheets



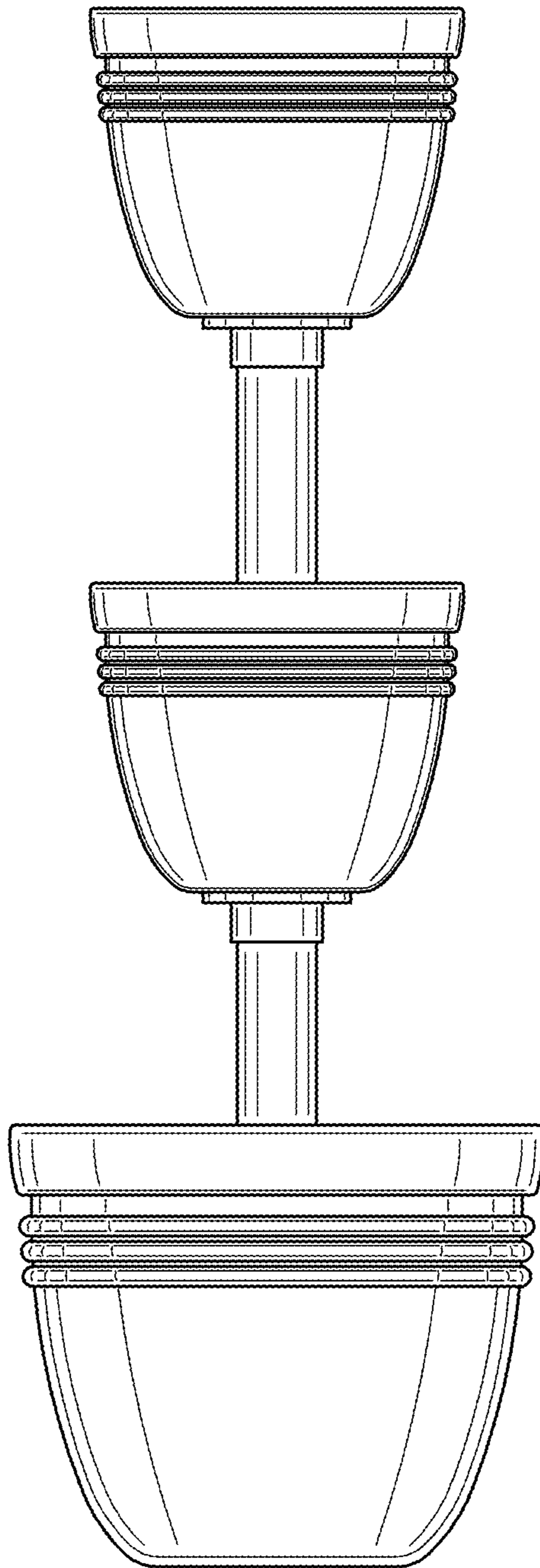


FIG. 1

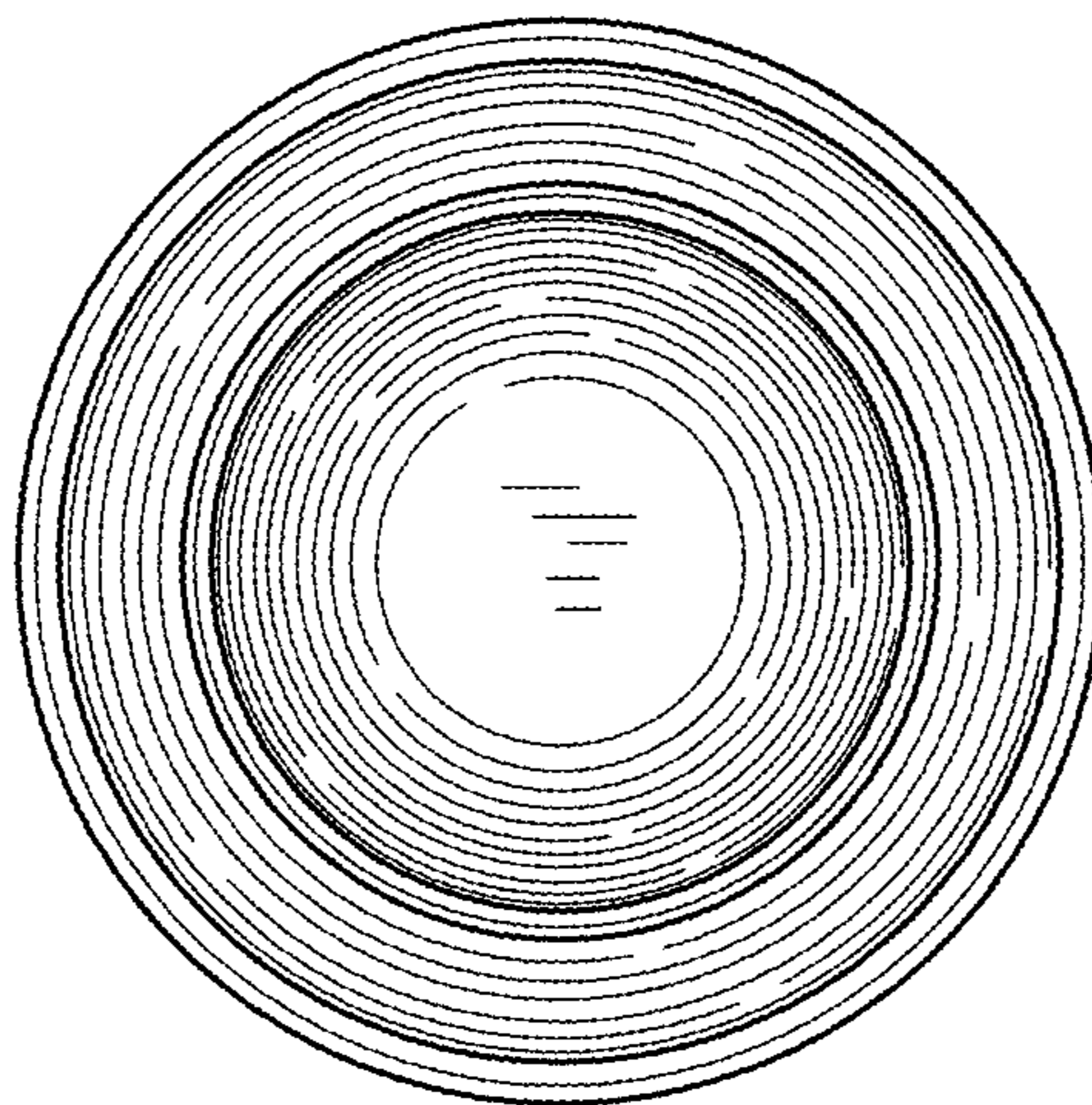


FIG. 2

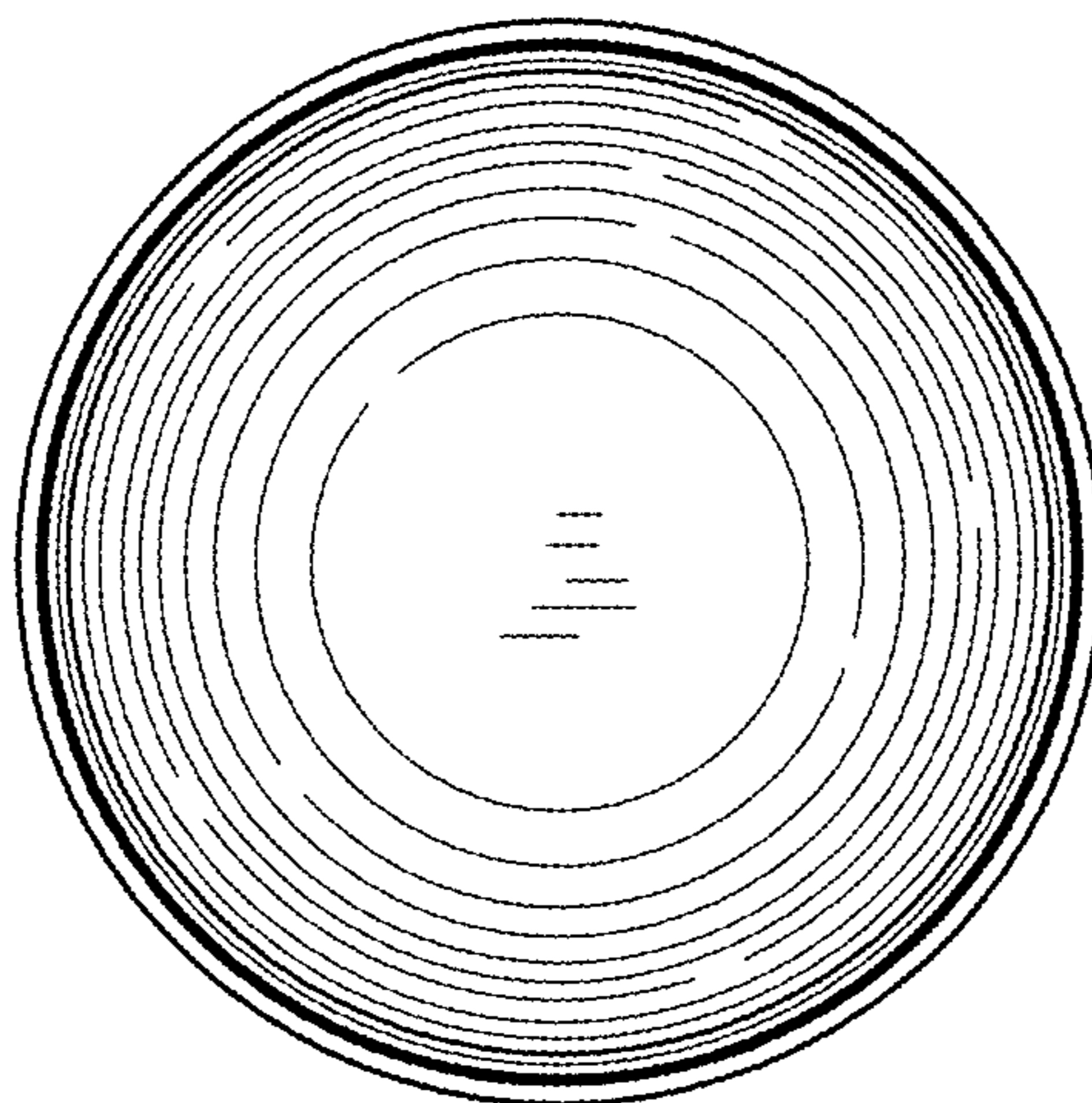


FIG. 3

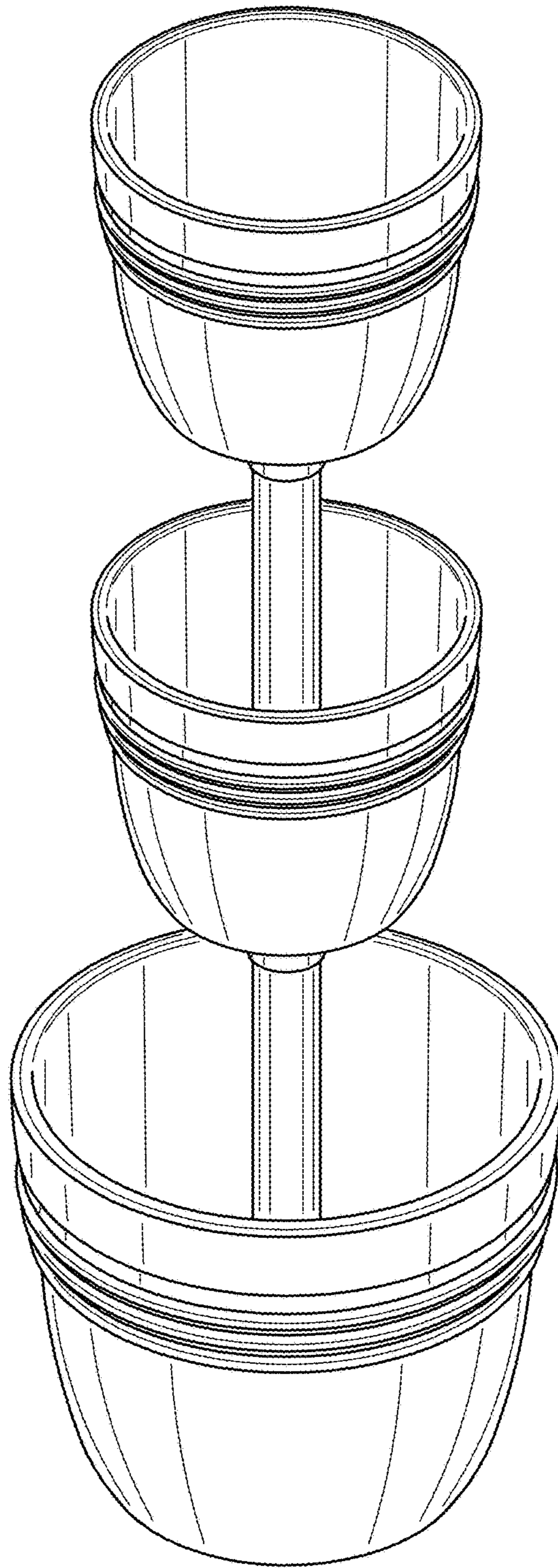


FIG. 4

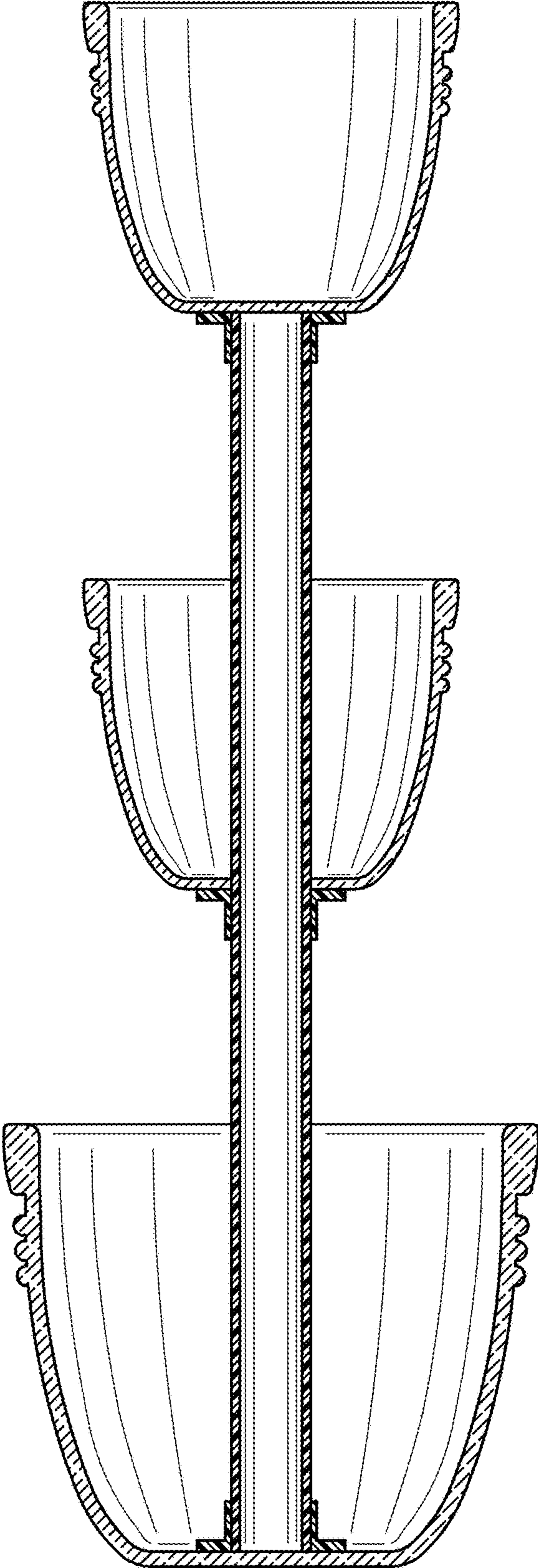


FIG. 5