



US00D782358S

(12) **United States Design Patent** (10) **Patent No.:** **US D782,358 S**
Akana et al. (45) **Date of Patent:** **** Mar. 28, 2017**

(54) **BAND**

(71) Applicant: **Apple Inc.**, Cupertino, CA (US)

(72) Inventors: **Jody Akana**, San Francisco, CA (US); **Bartley K. Andre**, Palo Alto, CA (US); **Shota Aoyagi**, San Francisco, CA (US); **Anthony Michael Ashcroft**, San Francisco, CA (US); **Jeremy Bataillou**, San Francisco, CA (US); **Daniel J. Coster**, San Francisco, CA (US); **Daniele De Iuliis**, San Francisco, CA (US); **M. Evans Hankey**, San Francisco, CA (US); **Julian Hoenig**, San Francisco, CA (US); **Richard P. Howarth**, San Francisco, CA (US); **Jonathan P. Ive**, San Francisco, CA (US); **Duncan Robert Kerr**, San Francisco, CA (US); **Marc A. Newson**, London (GB); **Matthew Dean Rohrbach**, San Francisco, CA (US); **Peter Russell-Clarke**, San Francisco, CA (US); **Benjamin Andrew Shaffer**, San Jose, CA (US); **Mikael Silvano**, San Francisco, CA (US); **Christopher J. Stringer**, Woodside, CA (US); **Eugene Antony Whang**, San Francisco, CA (US); **Rico Zörkendörfer**, San Francisco, CA (US)

(73) Assignee: **Apple Inc.**, Cupertino, CA (US)

(**) Term: **14 Years**

(21) Appl. No.: **29/520,565**

(22) Filed: **Mar. 16, 2015**

Related U.S. Application Data

(63) Continuation of application No. 29/498,995, filed on Aug. 11, 2014, now Pat. No. Des. 724,469.

(51) **LOC (10) Cl.** **11-01**

(52) **U.S. Cl.**
USPC **D11/94**

(58) **Field of Classification Search**

USPC D11/1-25, 86, 87, 93, 94; D10/30-39, D10/70, 46; 24/456, 574.1, 587.11, (Continued)

(56) **References Cited**

U.S. PATENT DOCUMENTS

482,289 A 9/1892 Jacob
505,473 A 9/1893 Theodore
(Continued)

FOREIGN PATENT DOCUMENTS

DE 20319858 U1 4/2004
EP 2636328 A1 9/2013
(Continued)

OTHER PUBLICATIONS

etsy.com, "1 Set Silver End Cap Clasp—Findings Large Toggle Clasp End Caps Buckle Connector with Five Inside Loops for Jewelry Making 26mm," <<http://www.etsy.com/listing/101269004/1-set-silver-end-cap-clasp-findings?ref=market>>, Listed on Aug. 29, 2014, accessed Oct. 9, 2014.

(Continued)

Primary Examiner — Melanie Pellegrini

(74) *Attorney, Agent, or Firm* — Sterne, Kessler, Goldstein & Fox P.L.L.C.

(57) **CLAIM**

The ornamental design for a band, as shown and described.

DESCRIPTION

FIG. 1 is a bottom front perspective view of a band showing our new design;
FIG. 2 is a bottom rear perspective view thereof;
FIG. 3 is a front view thereof;
FIG. 4 is a rear view thereof;
FIG. 5 is a left side view thereof;
FIG. 6 is a right side view thereof;
FIG. 7 is a top view thereof;

(Continued)

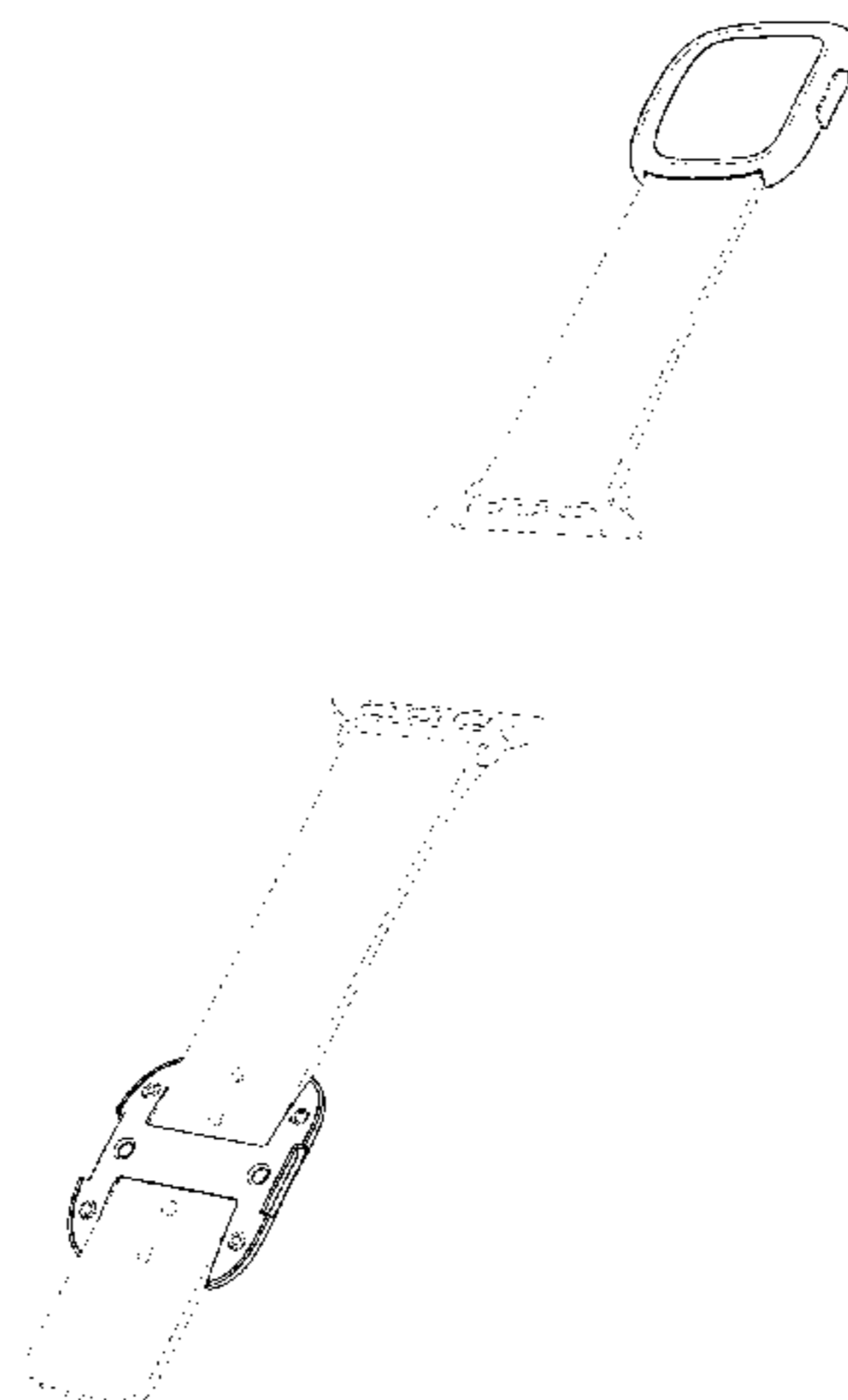


FIG. 8 is a bottom view thereof; and, FIG. 9 is a perspective view thereof in an environment in which it may be used. The broken lines in the Figures show portions of the band and environment that form no part of the claimed design.

1 Claim, 6 Drawing Sheets

(58) Field of Classification Search

USPC 24/587.12, 578.15, 265 B; 600/301; 224/164, 175; 368/276, 281, 282, 285
 CPC G04B 37/1486; G04B 37/16; G04B 37/18; A44C 5/14; A44C 5/0053; A44C 5/0069; A44C 5/0076; A44C 5/00; A44C 5/0007; A44C 5/0015; A44C 5/0023; A44C 5/003; A44C 5/0061; A44C 5/12; A44C 5/147; A44C 5/18; A44C 5/185
 See application file for complete search history.

(56) References Cited

U.S. PATENT DOCUMENTS

1,591,295	A *	7/1926	Donaldson	A44C 5/2042
					224/176
1,712,734	A	5/1929	Kraemer		
2,280,490	A	4/1942	Keltie		
D163,987	S	7/1951	Barre		
2,749,634	A *	6/1956	Billett	A44C 5/0015
					224/165
2,954,622	A *	10/1960	Moore	A44C 5/0015
					40/662
3,030,686	A	4/1962	Burkhardt		
3,251,110	A *	5/1966	Hedu	A44B 11/263
					24/616
3,665,565	A	5/1972	Kruger		
3,675,284	A	7/1972	Rieth		
3,889,411	A *	6/1975	Laugherty	G09F 3/005
					40/633
3,983,604	A *	10/1976	Phillips	B65D 63/08
					225/84
4,470,174	A	9/1984	Rhea		
D320,566	S	10/1991	Ericson		
5,363,351	A	11/1994	Carney		
5,758,443	A *	6/1998	Pedrazzini	G09F 3/005
					24/16 PB
D473,818	S	4/2003	Salvisberg		
D494,098	S	8/2004	Cohen		
D519,052	S *	4/2006	Watanabe	D11/5
D564,367	S	3/2008	Molyneux		
D566,580	S	4/2008	Giorgio		
7,406,789	B2	8/2008	Story		
7,591,581	B2	9/2009	Lovegrove et al.		
D628,510	S	12/2010	Maier		
8,601,784	B2	12/2013	Kaltenrieder		
D699,143	S	2/2014	Xu		
D711,002	S	8/2014	Ohnemus et al.		
D718,170	S	11/2014	Aumiller et al.		
D724,469	S	3/2015	Akana et al.		
D732,416	S *	6/2015	Akana	D11/3
D771,035	S *	11/2016	Akana	D14/344
2014/0096345	A1	4/2014	Tschumi		
2014/0098649	A1	4/2014	Tschumi		

FOREIGN PATENT DOCUMENTS

ES	002297770-0003	6/2013
GB	618917 A	3/1949

GB	2082277	6/1999
GB	2088761	2/2000
JP	H08336406 A	12/1996
JP	D1140196	4/2002
JP	D1263841	2/2006
JP	D1279761	8/2006
JP	D1296110	3/2007
JP	D1380179	2/2010
JP	D1494268	4/2014
JP	D1511746	11/2014
WO	DM/012262-001	1/1989
WO	2013182397 A1	12/2013

OTHER PUBLICATIONS

Metawatch, "Frame—Black (MW3005)," <<http://meta.watch/collections/smartwatch-all/products/frame-ss-black-leather>>, accessed Dec. 15, 2014.
 [Online] <<http://everydaydigitals.com/heres-what-i-think/21/apples-wearable-device-will-be-more-nike-fuel-band-than-pebble-watch>> Retrieved on Dec. 25, 2014.
 [Online] <<http://www.computerworlduk.com/slideshow/mobile-wireless/3573389/the-many-looks-of-the-apple-watch/6/#content>> Retrieved on Dec. 25, 2014.
 Pebble, "Pebble Smartwatch," getpebble.com, <<https://getpebble.com/checkout>>, accessed Dec. 15, 2014.
 Velazco, Chris, "Asus ZenWatch review: subtle and stylish, with a few shortcomings," Engadget.com, <<http://www.engadget.com/2014/12/11/asus-zenwatch-review/>>, dated Dec. 11, 2014, accessed Dec. 15, 2014.
 U.S. Appl. No. 29/498,987, filed Aug. 11, 2014.
 U.S. Appl. No. 29/498,990, filed Aug. 11, 2014.
 U.S. Appl. No. 29/498,994, filed Aug. 11, 2014.
 U.S. Appl. No. 29/498,995, filed Aug. 11, 2014.
 U.S. Appl. No. 29/498,996, filed Aug. 11, 2014.
 U.S. Appl. No. 29/498,997, filed Aug. 11, 2014.
 U.S. Appl. No. 29/499,052, filed Aug. 11, 2014.
 U.S. Appl. No. 29/499,061, filed Aug. 11, 2014.
 U.S. Appl. No. 29/499,067, filed Aug. 11, 2014.
 U.S. Appl. No. 29/499,068, filed Aug. 11, 2014.
 U.S. Appl. No. 29/499,069, filed Aug. 11, 2014.
 U.S. Appl. No. 29/499,080, filed Aug. 11, 2014.
 U.S. Appl. No. 29/499,081, filed Aug. 11, 2014.
 U.S. Appl. No. 29/499,082, filed Aug. 11, 2014.
 U.S. Appl. No. 29/499,088, filed Aug. 11, 2014.
 U.S. Appl. No. 29/499,090, filed Aug. 11, 2014.
 U.S. Appl. No. 29/499,091, filed Aug. 11, 2014.
 U.S. Appl. No. 29/501,152, filed Sep. 2, 2014.
 U.S. Appl. No. 29/501,624, filed Sep. 5, 2014.
 U.S. Appl. No. 29/501,720, filed Sep. 8, 2014.
 U.S. Appl. No. 29/501,722, filed Sep. 8, 2014.
 U.S. Appl. No. 29/501,723, filed Sep. 8, 2014.
 U.S. Appl. No. 29/501,733, filed Sep. 8, 2014.
 U.S. Appl. No. 29/501,737, filed Sep. 8, 2014.
 U.S. Appl. No. 29/501,746, filed Sep. 8, 2014.
 U.S. Appl. No. 29/501,759, filed Sep. 8, 2014.
 U.S. Appl. No. 29/501,760, filed Sep. 8, 2014.
 U.S. Appl. No. 29/501,763, filed Sep. 8, 2014.
 U.S. Appl. No. 29/501,766, filed Sep. 8, 2014.
 U.S. Appl. No. 29/501,772, filed Sep. 8, 2014.
 U.S. Appl. No. 29/501,775, filed Sep. 8, 2014.
 [Online] http://i.ytimg.com/vi/Ab_oapZ8GpM/maxresdefault.jpg, accessed on Mar. 30, 2015.
 [Online] <http://ttb.thetechblock.netdna-cdn.com/wp-content/uploads/2014/09/apple-watch-31.jpg>, accessed on Mar. 30, 2015.

* cited by examiner

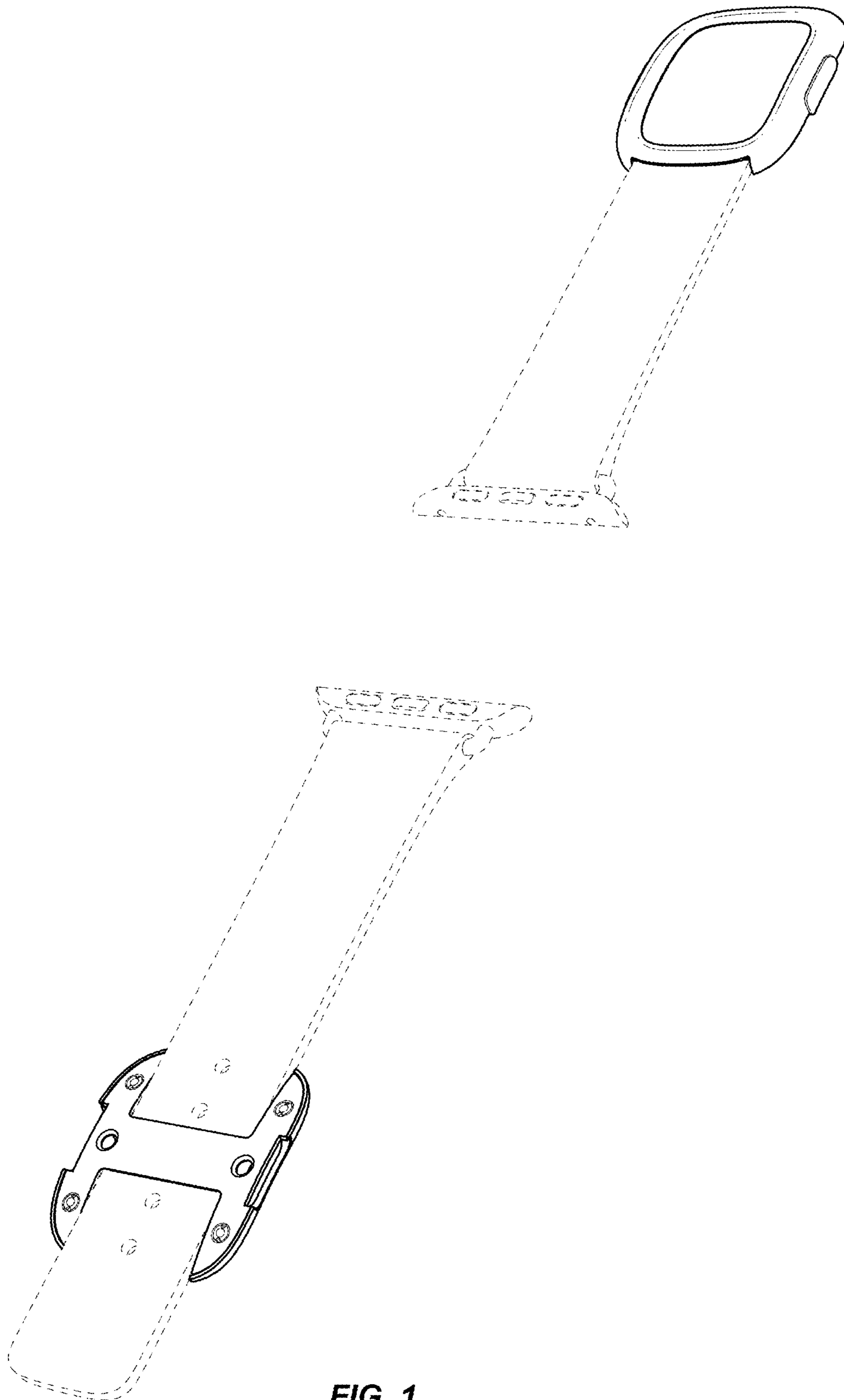
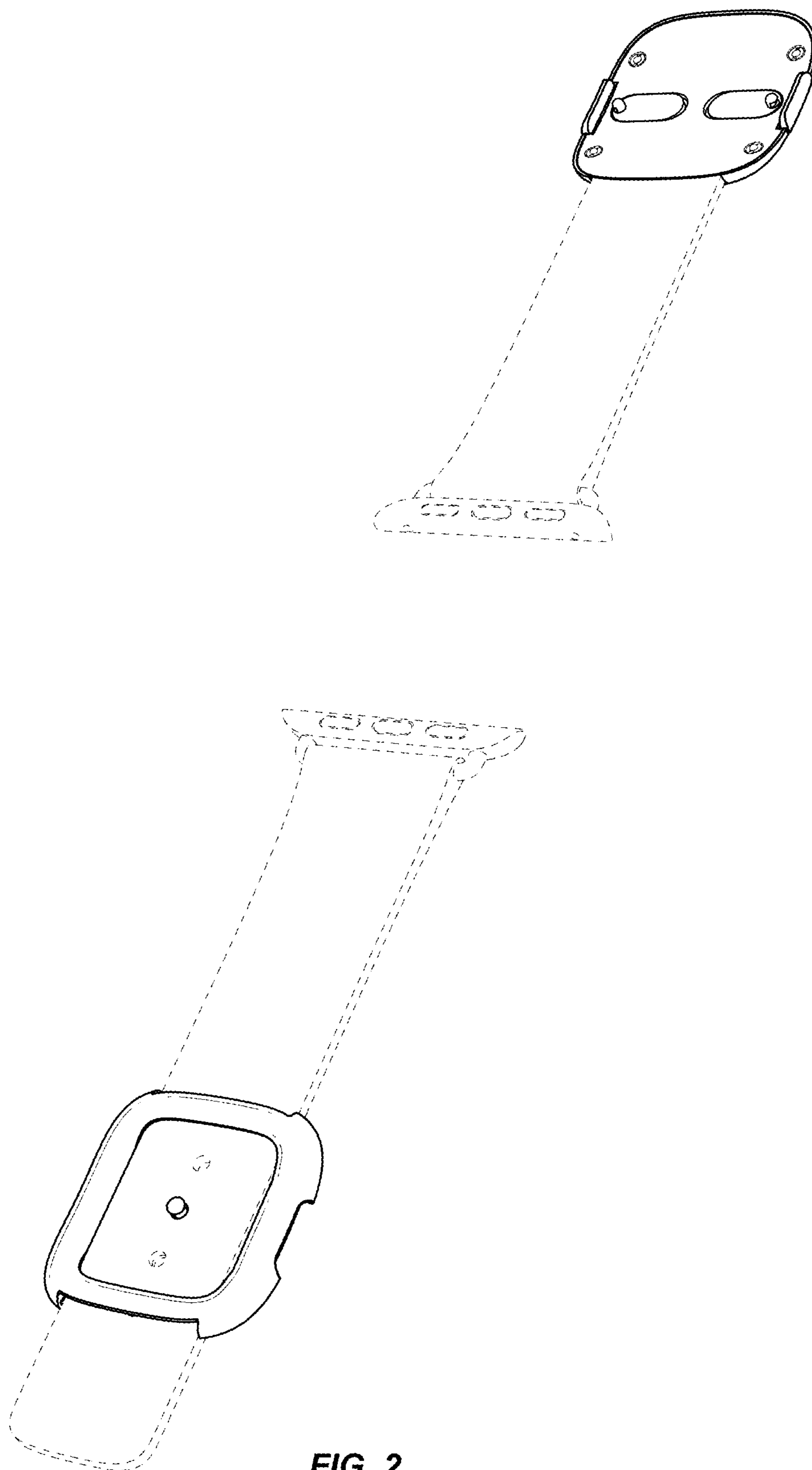


FIG. 1



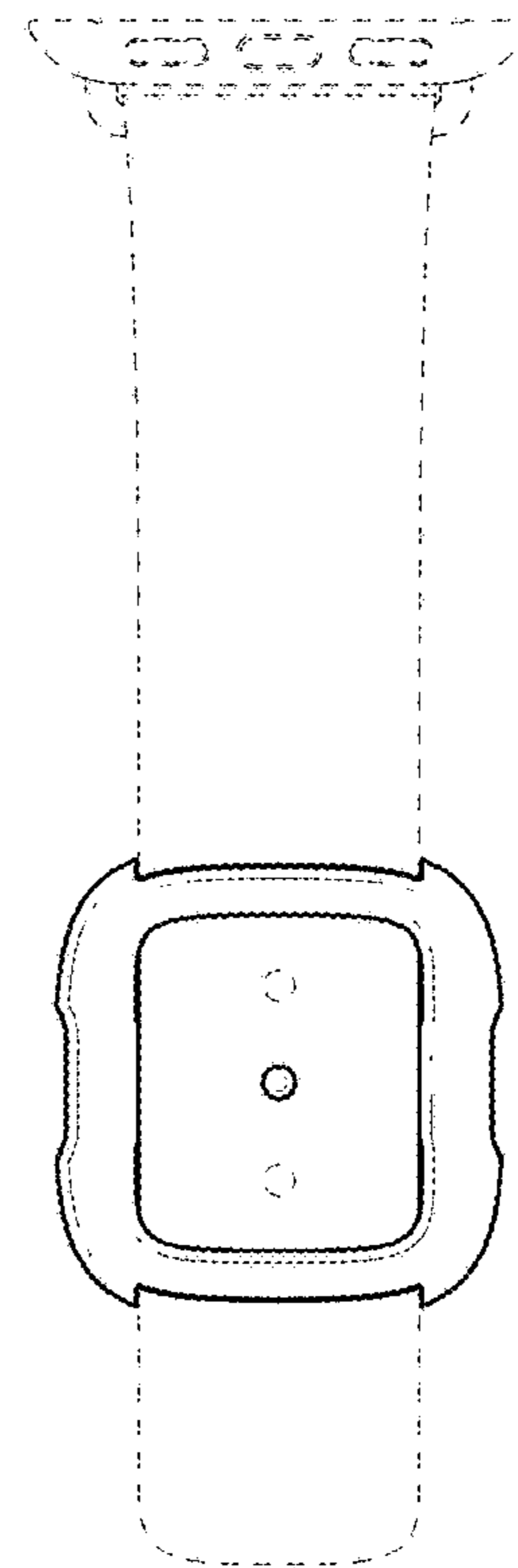
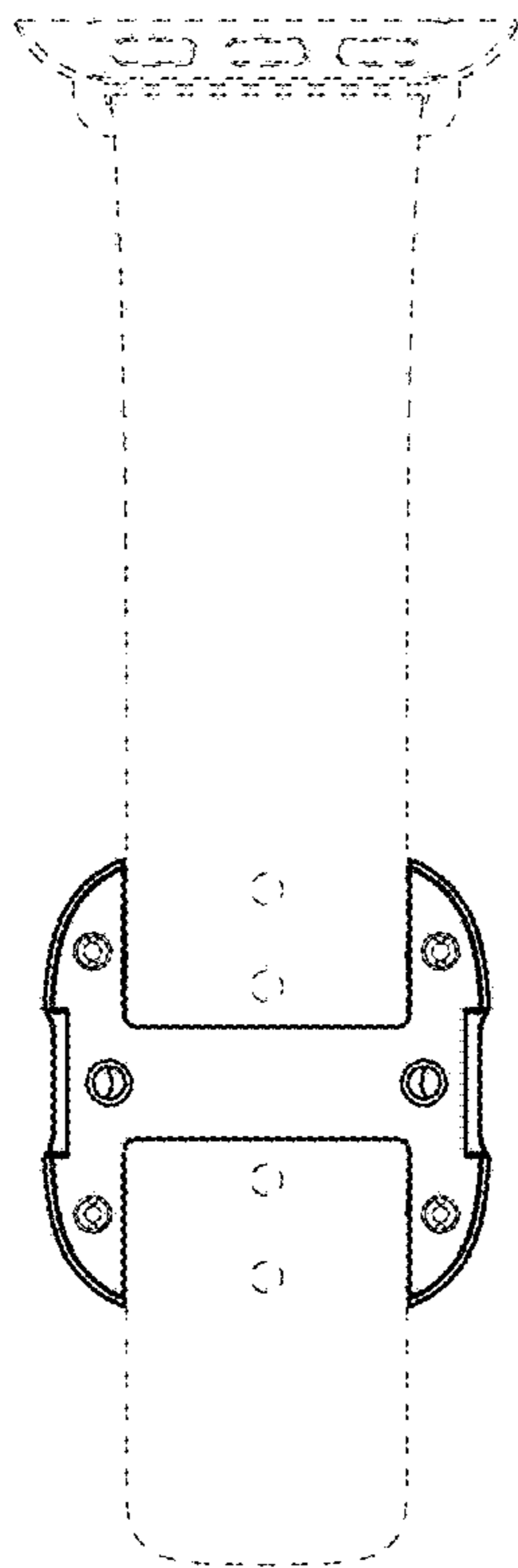
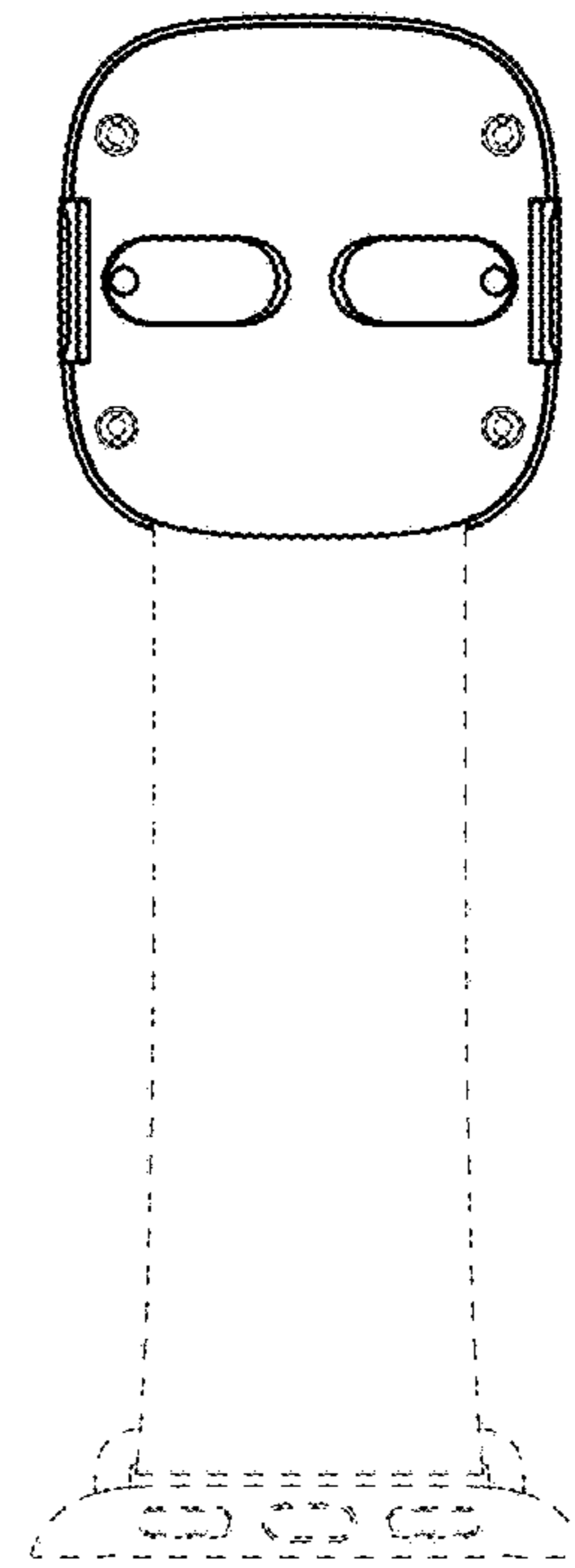
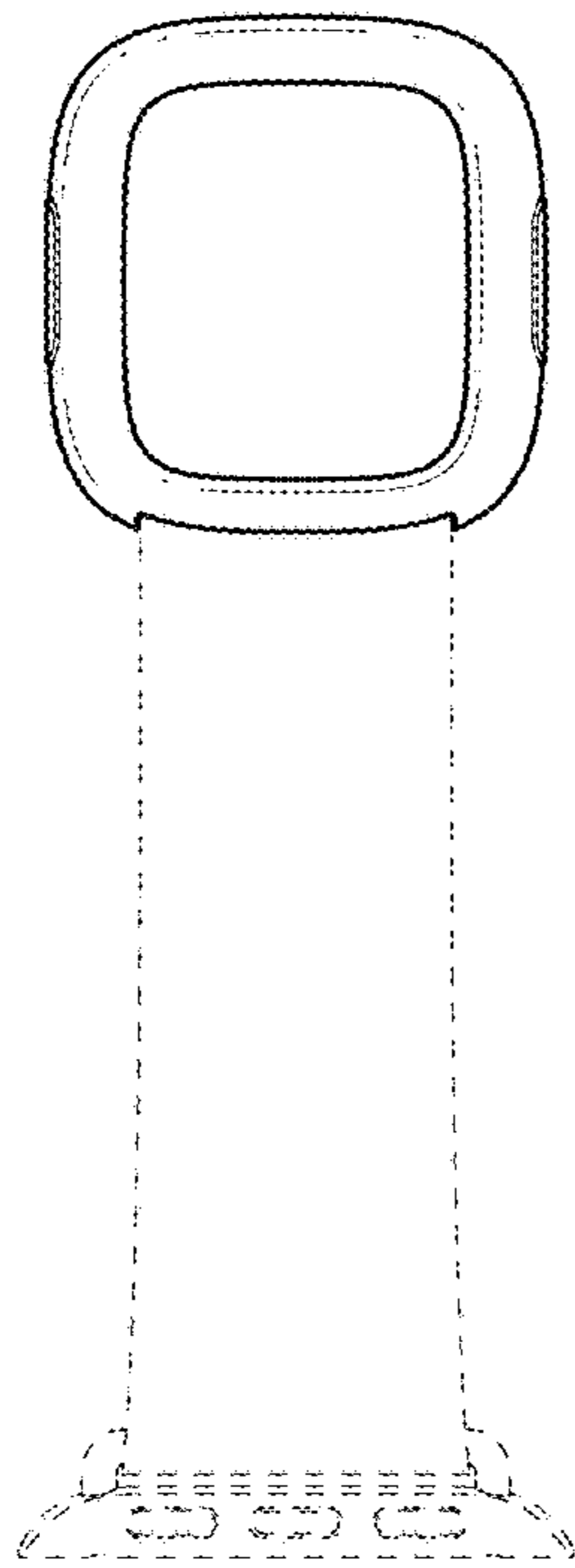


FIG. 3

FIG. 4

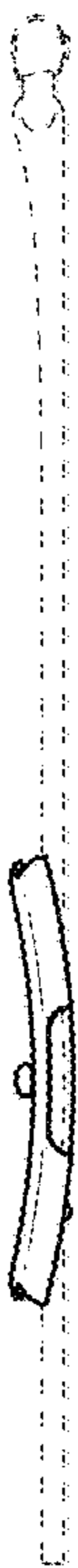
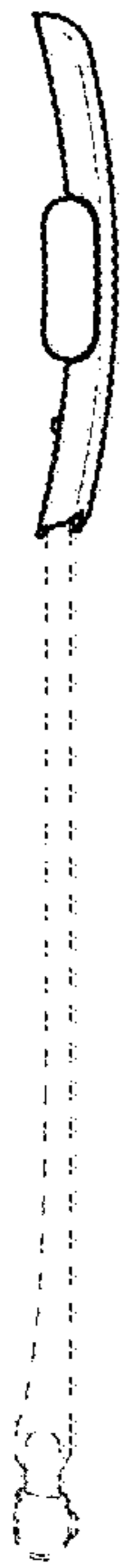


FIG. 5

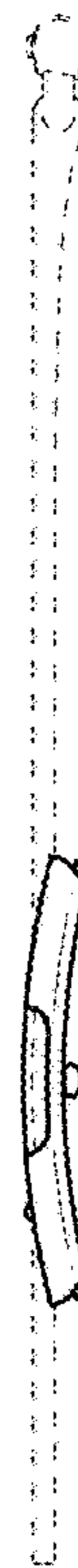
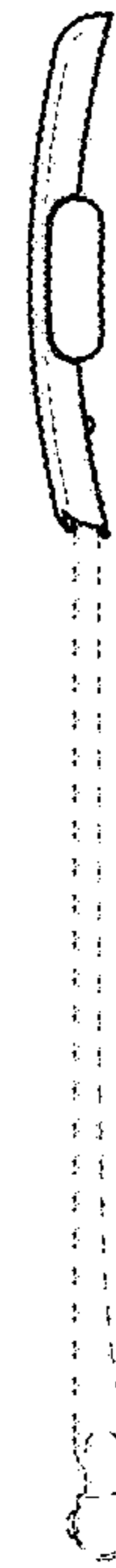


FIG. 6

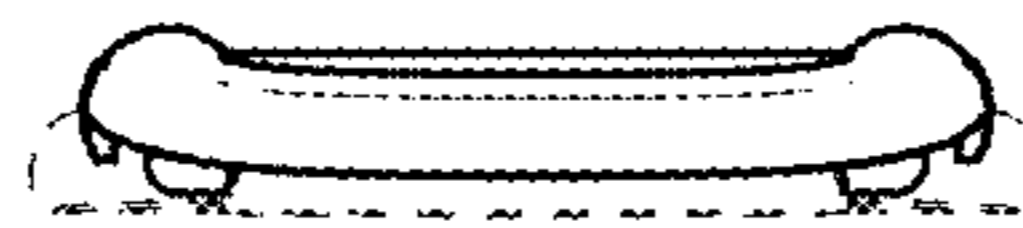


FIG. 7

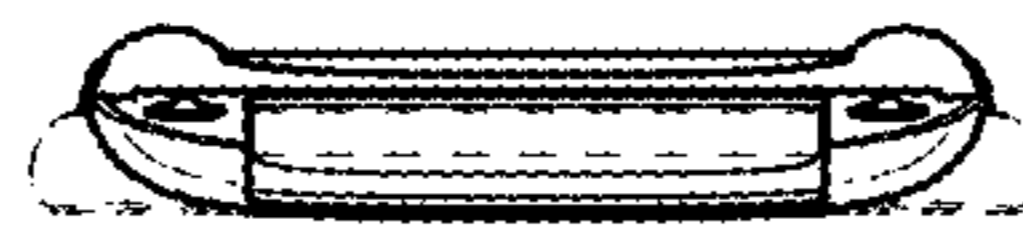


FIG. 8

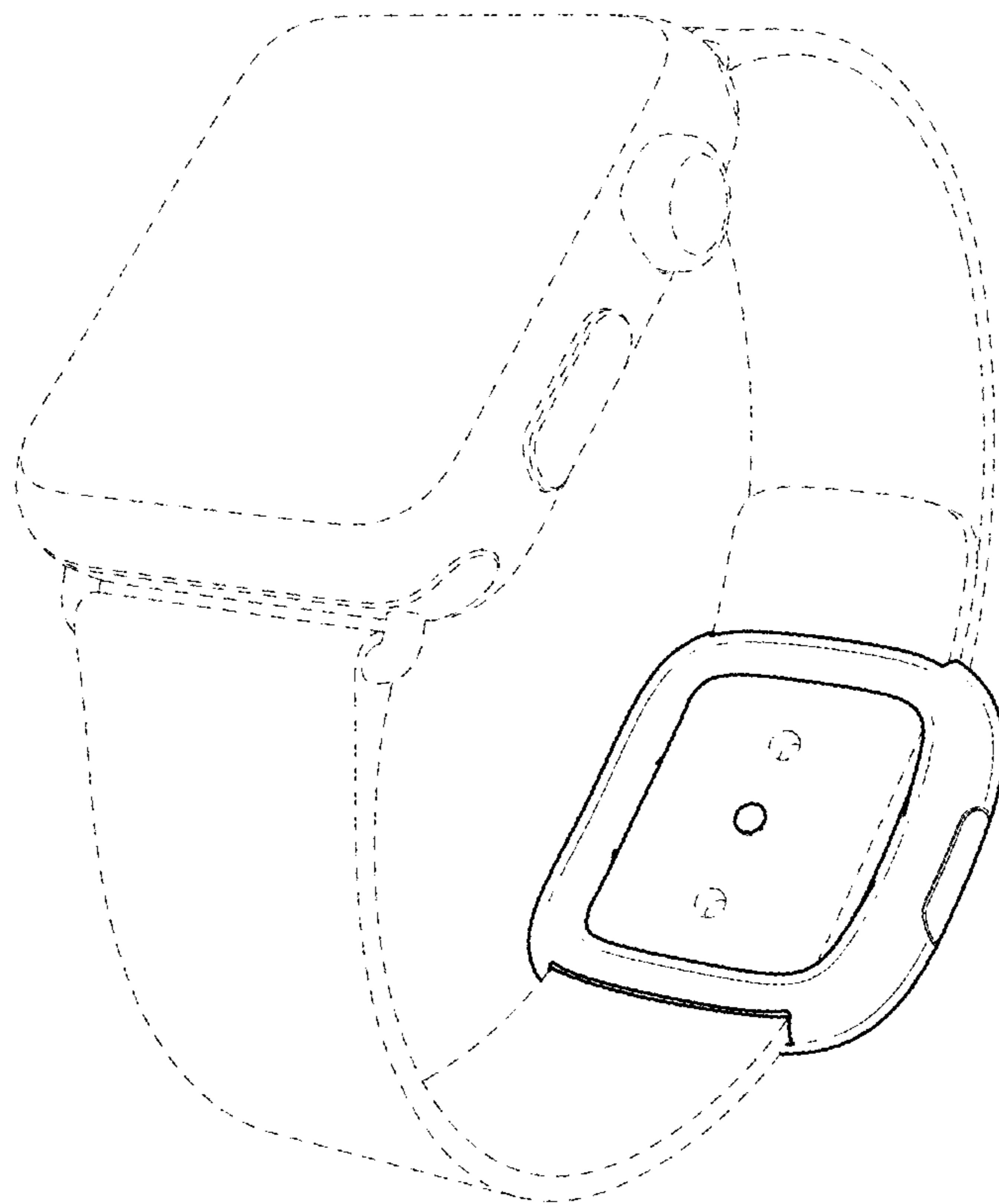


FIG. 9