

US00D782357S

(12) **United States Design Patent** (10) **Patent No.:** **US D782,357 S**
Riviere (45) **Date of Patent:** **** Mar. 28, 2017**

(54) **CHARM**

(56) **References Cited**

(71) Applicant: **HARRY WINSTON SA,**
Plan-les-Ouates (CH)
(72) Inventor: **Dominique Riviere,** New York, NY
(US)
(73) Assignee: **HARRY WINSTON SA,**
Plan-les-Ouates (CH)

U.S. PATENT DOCUMENTS

D40,406 S * 12/1909 Lederer D11/82
D65,419 S * 8/1924 Menefee D11/95
D137,323 S * 2/1944 Philippe D11/49
D142,184 S * 8/1945 Katz D11/53
D142,421 S * 9/1945 Katz D11/50
D147,129 S * 7/1947 Katz D11/49
D153,343 S * 4/1949 Frazeur D1/111
D247,806 S * 5/1978 Krecic D11/50

(**) Term: **15 Years**

OTHER PUBLICATIONS

(21) Appl. No.: **29/558,016**

[Online] https://img0.etsystatic.com/116/2/12193437/il_340x270.969032910_rrdr.jpg. Retrieved Nov. 18, 2016.*

(22) Filed: **Mar. 15, 2016**

[Online] http://www.jewelsberry.com/media/catalog/product/cache/1/image/9df78eab33525d08d6e5fb8d27136e95/4/6/46_9.jpg. Retrieved Nov. 18, 2016.*

(30) **Foreign Application Priority Data**

Sep. 17, 2015 (WO) DM087 555

* cited by examiner

(51) **LOC (10) Cl.** **11-01**

Primary Examiner — Melanie Pellegrini

(52) **U.S. Cl.**
USPC **D11/82; D11/50**

(74) *Attorney, Agent, or Firm* — Donald J. Ranft; Collen IP

(58) **Field of Classification Search**
USPC D11/1, 2, 40–44, 79–86, 70, 49, 50, 53,
D11/57, 66, 67, 75, 76, 77, 95, 97, 98,
99,
D11/100, 101, 105, 106, 121, 125, 127,
D11/128, 91, 92, 7, 8, 48
CPC .. A44C 1/00; A44C 3/00; A44C 3/001; A44C
3/002; A44C 3/004; A44C 3/005; A44C
3/007; A44C 3/008; A44C 7/00; A44C
7/001; A44C 7/002; A44C 7/003; A44C
7/004; A44C 21/00; A44C 23/00; A44C
25/00; A44C 25/001; A44C 25/002; A44C
25/004; A44C 25/005; A44C 25/007;
A44C 25/008; A44C 17/02; A44C
17/0208

(57) **CLAIM**

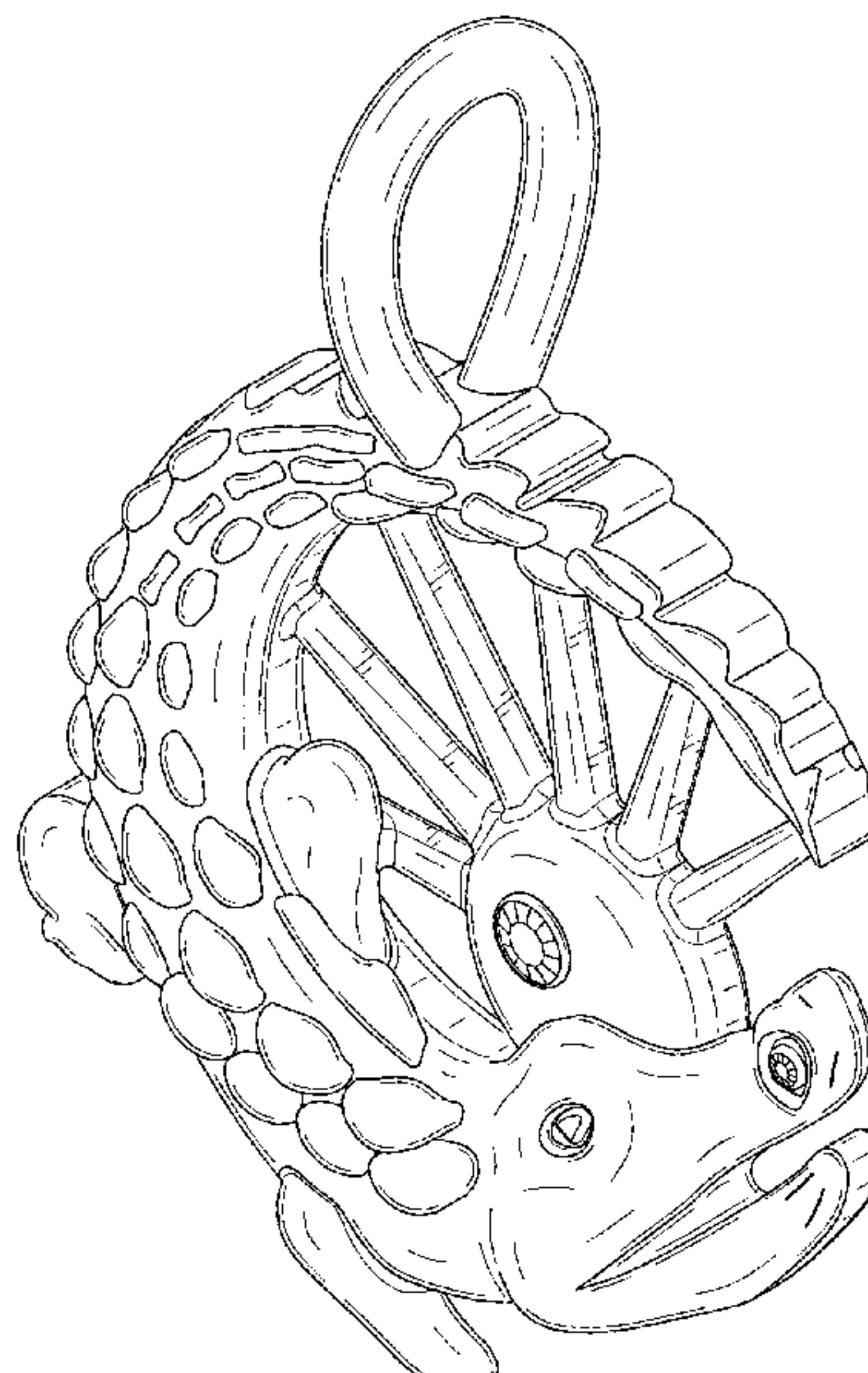
The ornamental design for a charm, as shown.

DESCRIPTION

FIG. 1 is a front right perspective view of a charm showing my new design;
FIG. 2 is a rear left perspective view thereof;
FIG. 3 is a front view thereof;
FIG. 4 is a rear view thereof;
FIG. 5 is a left side view thereof;
FIG. 6 is a right side view thereof;
FIG. 7 is a top view thereof; and,
FIG. 8 is a bottom view thereof.

See application file for complete search history.

1 Claim, 6 Drawing Sheets



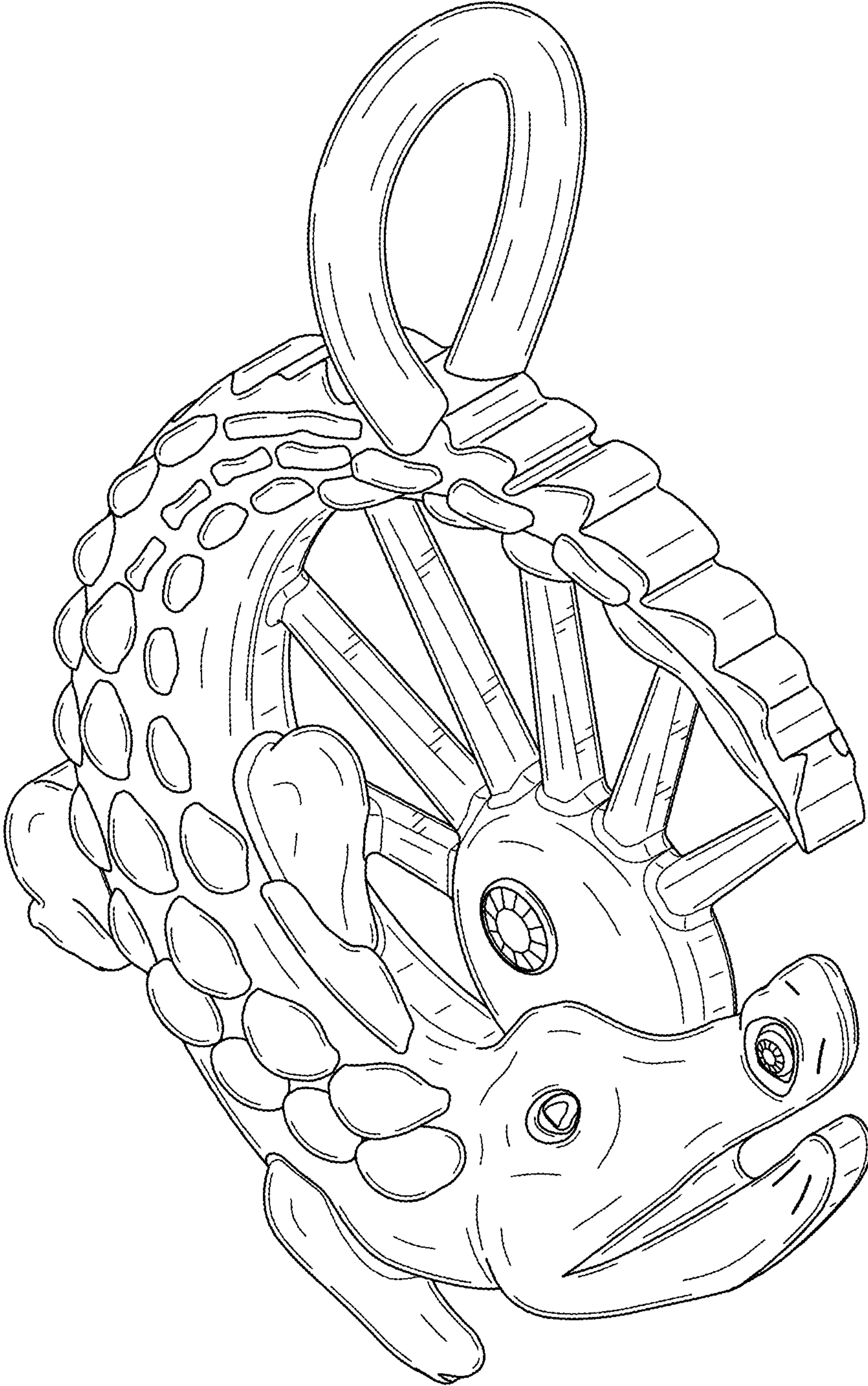


FIG. 1

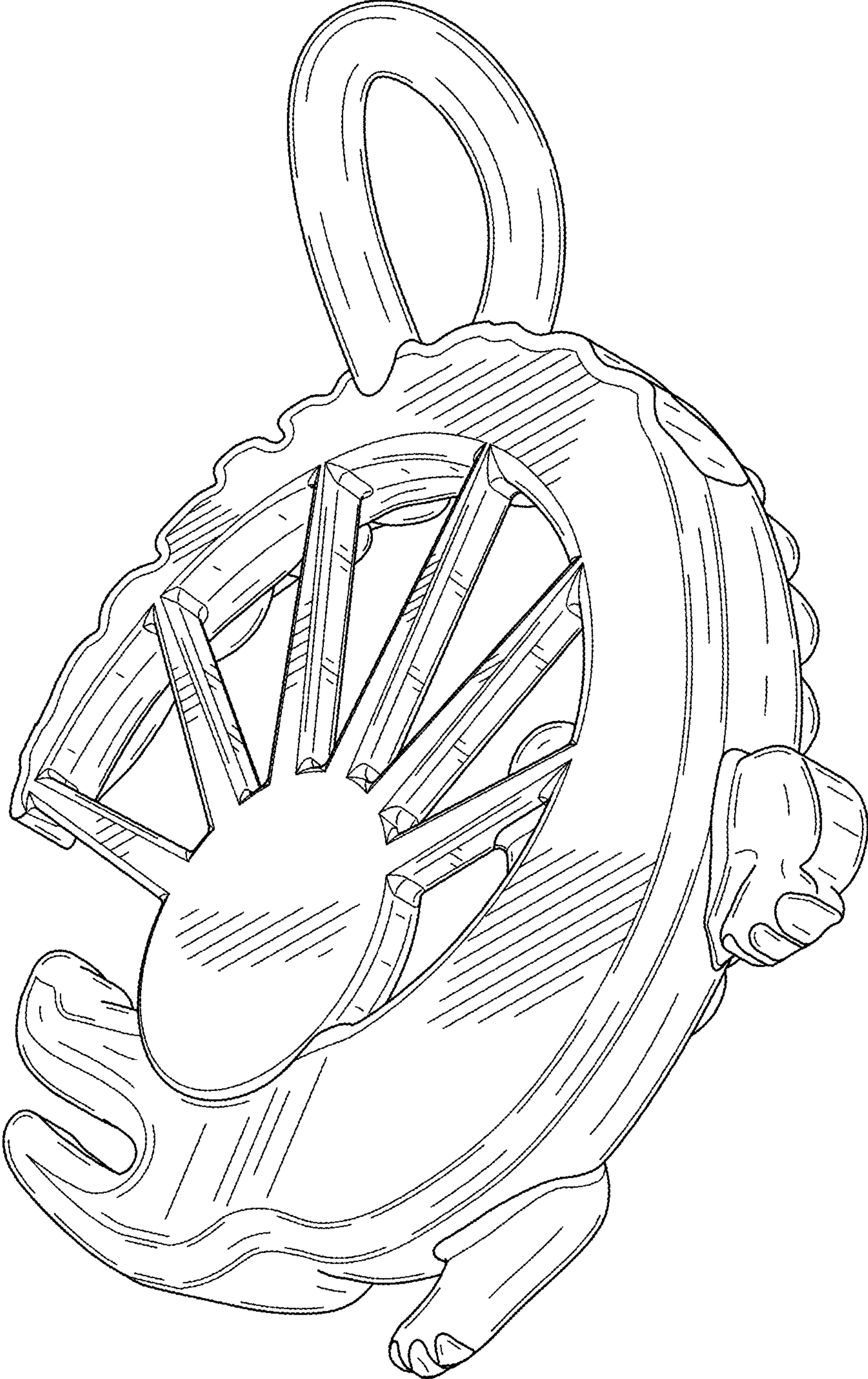


FIG. 2

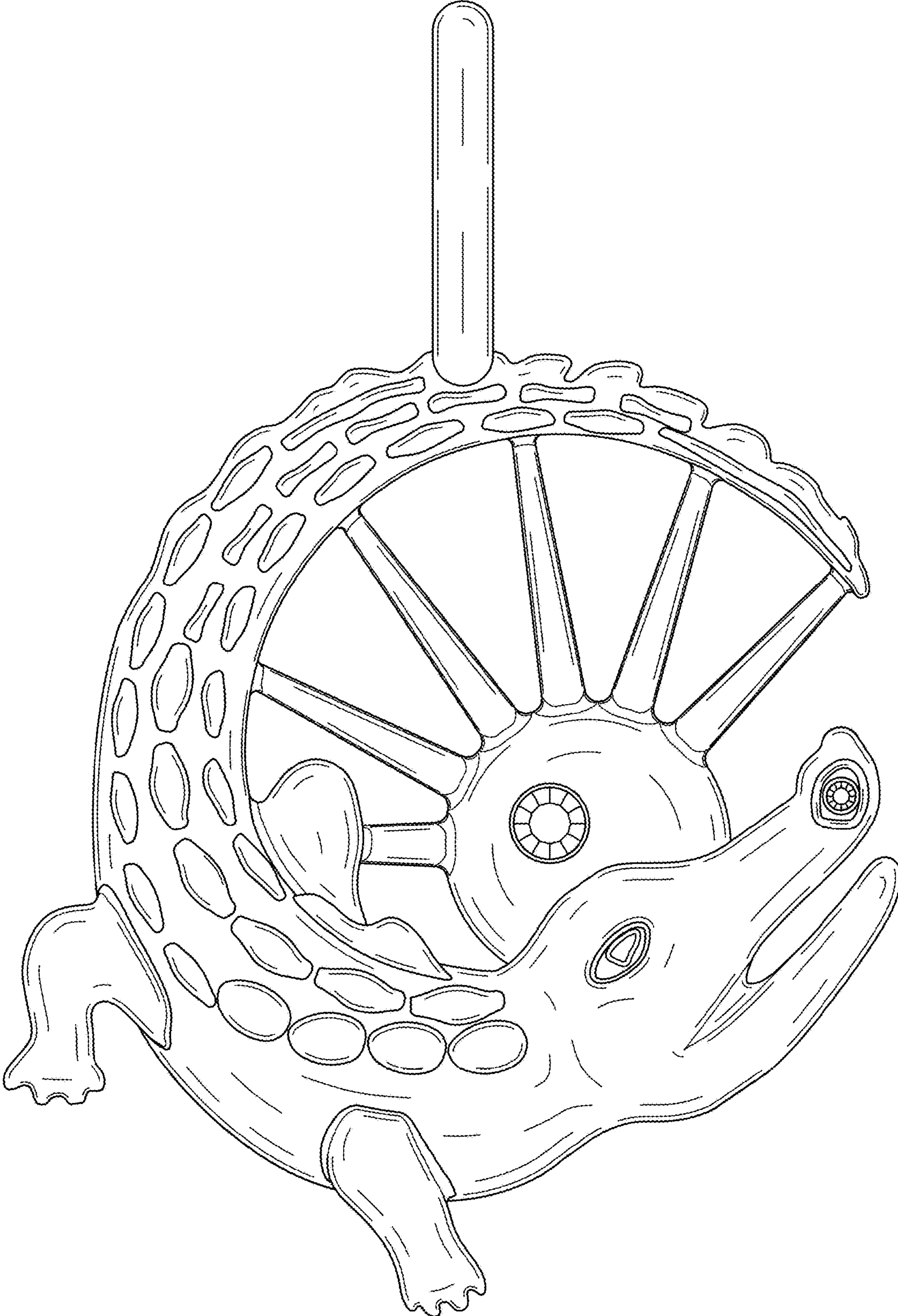


FIG. 3

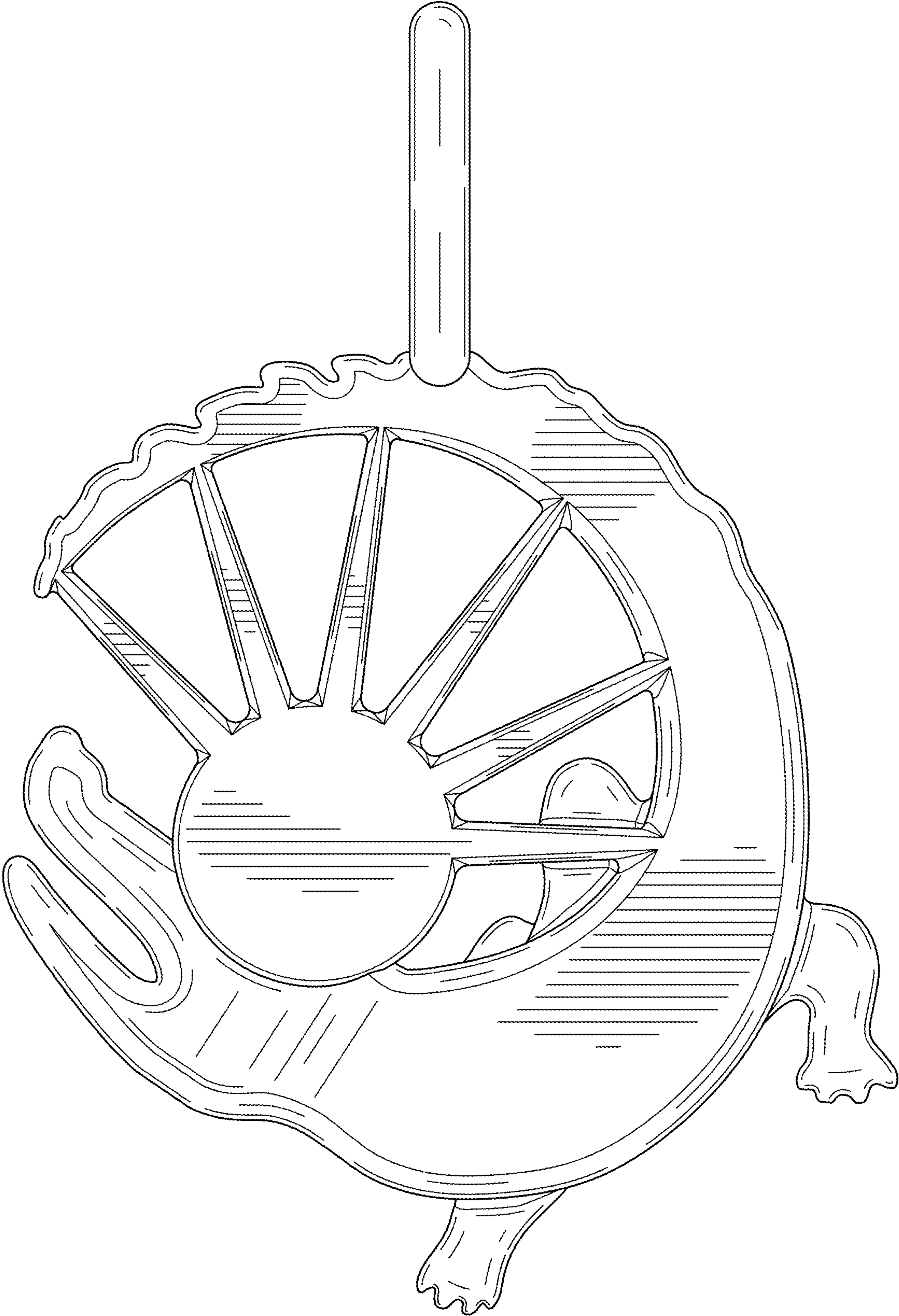


FIG. 4

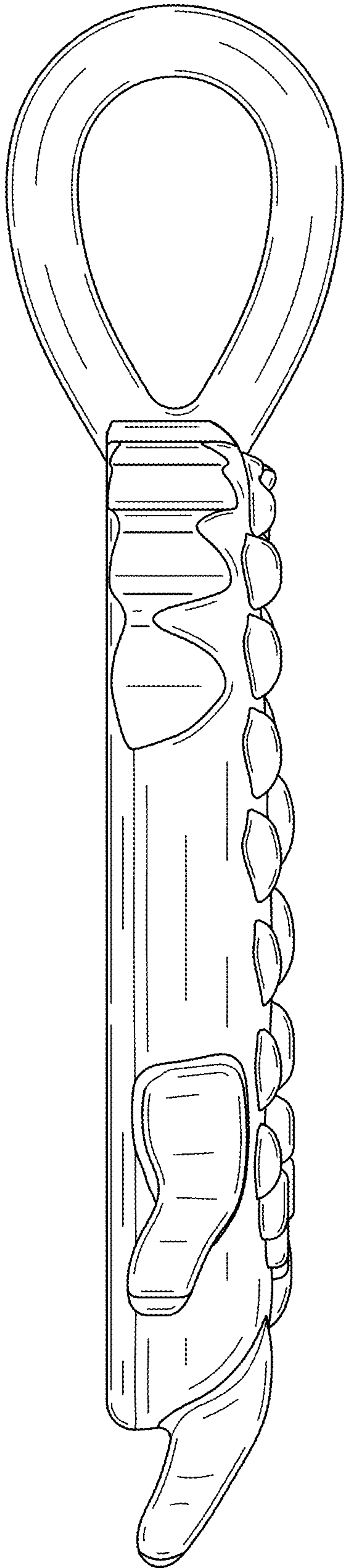


FIG. 5

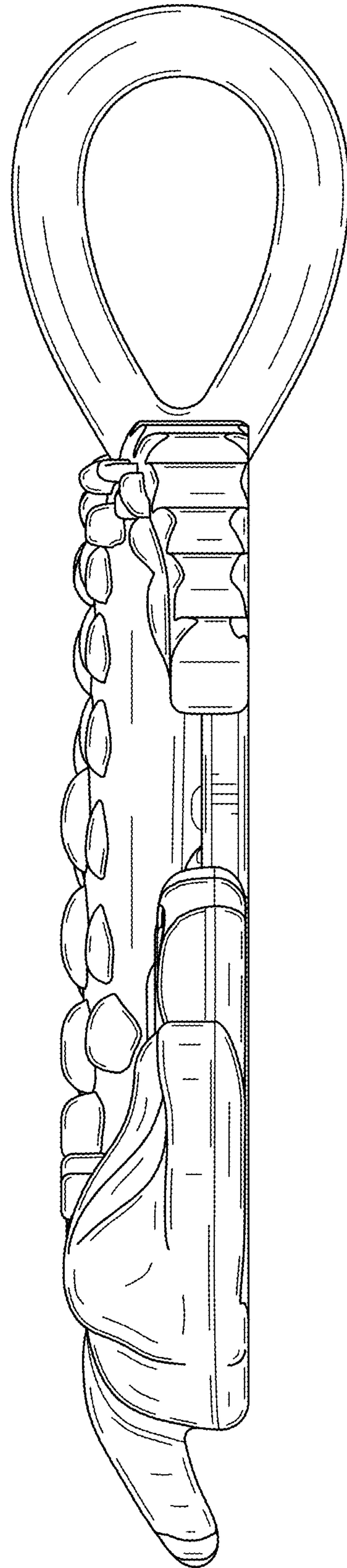


FIG. 6

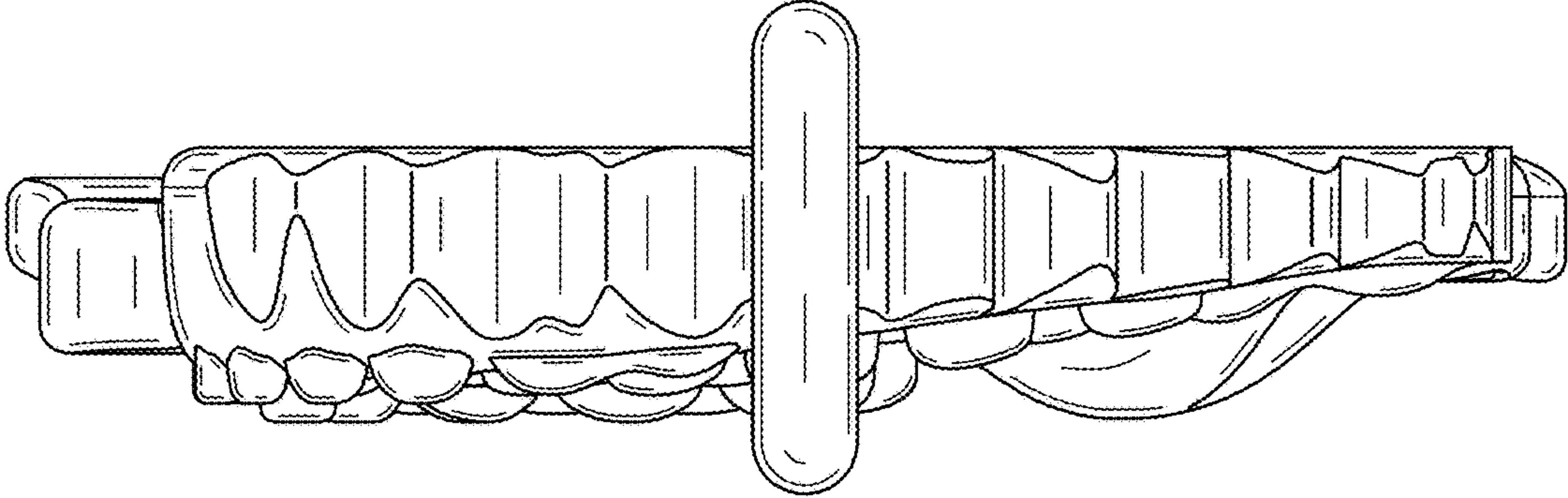


FIG. 7

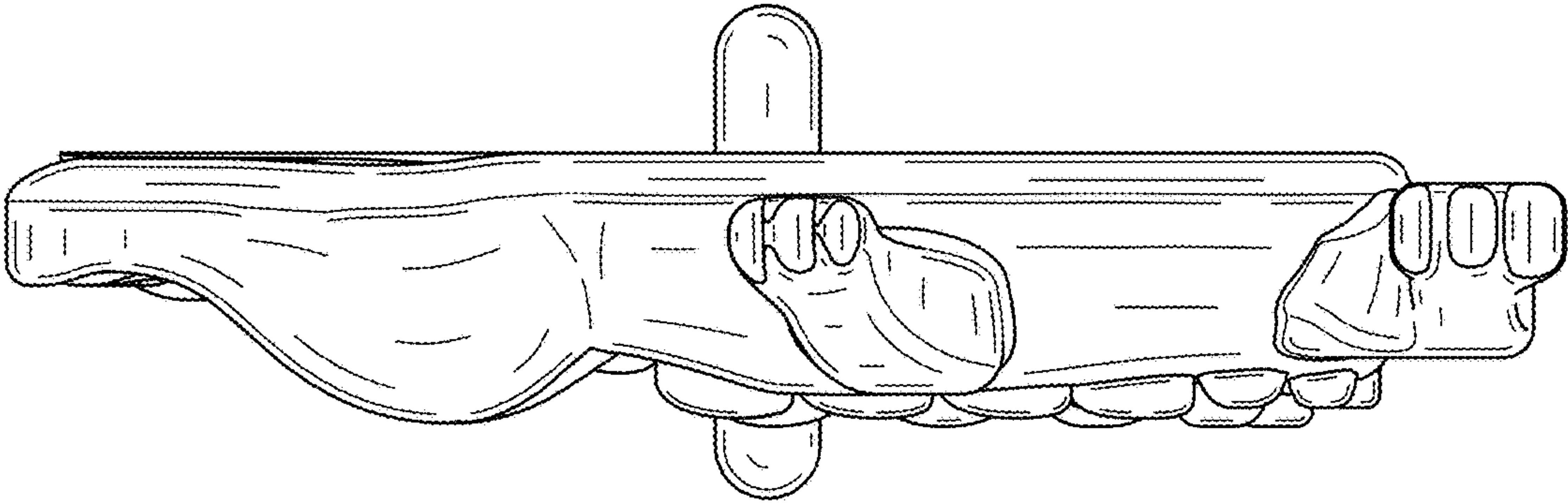


FIG. 8