



US00D782356S

(12) **United States Design Patent**
Talarico

(10) **Patent No.:** **US D782,356 S**
(45) **Date of Patent:** **** Mar. 28, 2017**

(54) **BRACELET**

(71) Applicant: **David Joseph Talarico**, Holmdel, NJ
(US)

(72) Inventor: **David Joseph Talarico**, Holmdel, NJ
(US)

(**) Term: **14 Years**

(21) Appl. No.: **29/513,269**

(22) Filed: **Dec. 30, 2014**

(51) **LOC (10) Cl.** **11-01**

(52) **U.S. Cl.**
USPC **D11/4**

(58) **Field of Classification Search**
USPC D11/1-26; D10/70, 98, 32, 38; D24/167;
D14/344
CPC A44C 5/00; A44C 5/0007; A44C 5/0015;
A44C 5/0023; A44C 5/003; A44C
5/0038; A44C 5/0053; A44C 5/0061;
A44C 5/0069; A44C 5/0076; A44C
5/0084; A44C 5/0092; A44C 5/20; A61B
5/02405

See application file for complete search history.

(56) **References Cited**

U.S. PATENT DOCUMENTS

D564,367 S * 3/2008 Molyneux D10/31
8,408,436 B2 * 4/2013 Berry A63B 24/00
224/176

D720,249 S * 12/2014 Park D11/3
D724,986 S * 3/2015 Blondet D11/5
D735,587 S * 8/2015 Squires D10/32

OTHER PUBLICATIONS

[Online] <https://www.kickstarter.com/projects/2033495145/flexi-a-stylish-bracelet-for-your-fitbit-flex>. Posted online at least as early as Apr. 22, 2015. Retrieved Sep. 27, 2016.*

* cited by examiner

Primary Examiner — Garth Rademaker
Assistant Examiner — Melanie Pellegrini

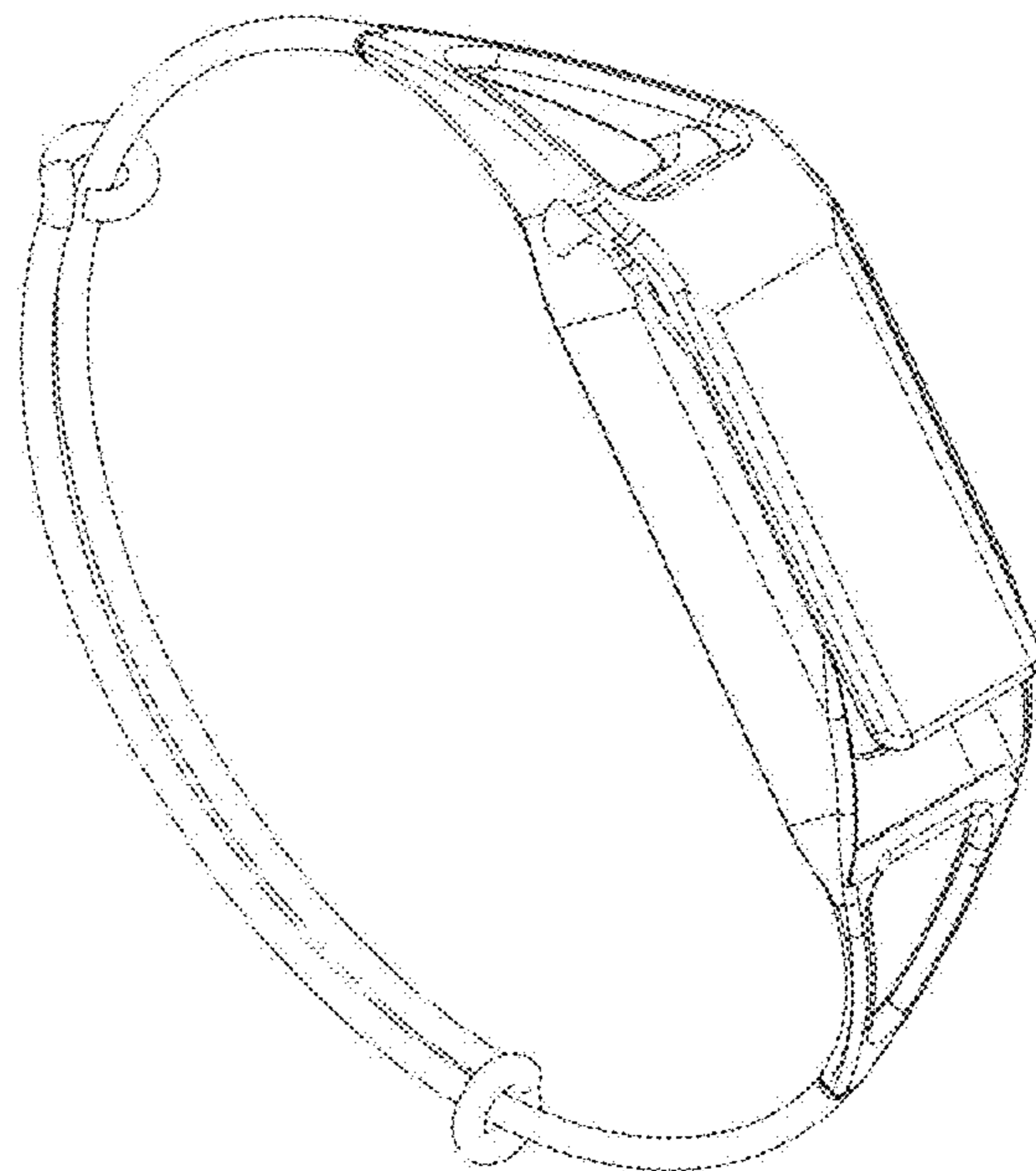
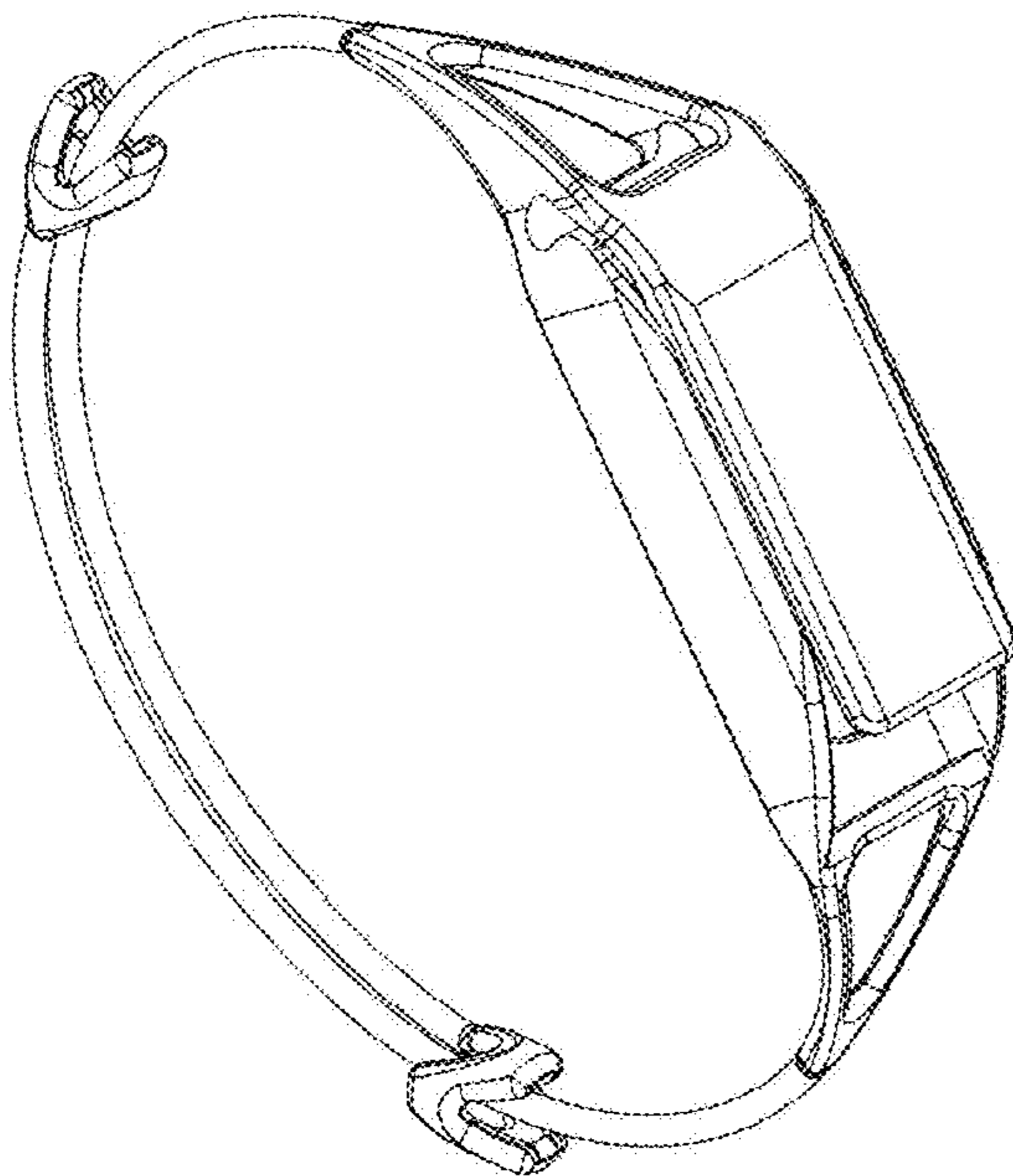
(57) **CLAIM**

The ornamental design for a bracelet, as shown and described.

DESCRIPTION

FIG. 1 is a front perspective view of a first embodiment of a bracelet in accordance with the present invention; FIG. 2 is another front perspective view thereof; FIG. 3 is a front view thereof; FIG. 4 is a top view thereof; FIG. 5 is a bottom view thereof; FIG. 6 is a front perspective view of a second embodiment of a bracelet in accordance with the present invention; FIG. 7 is another front perspective view thereof; FIG. 8 is a front view thereof; FIG. 9 is a top view thereof; and, FIG. 10 is a bottom view thereof.

1 Claim, 8 Drawing Sheets



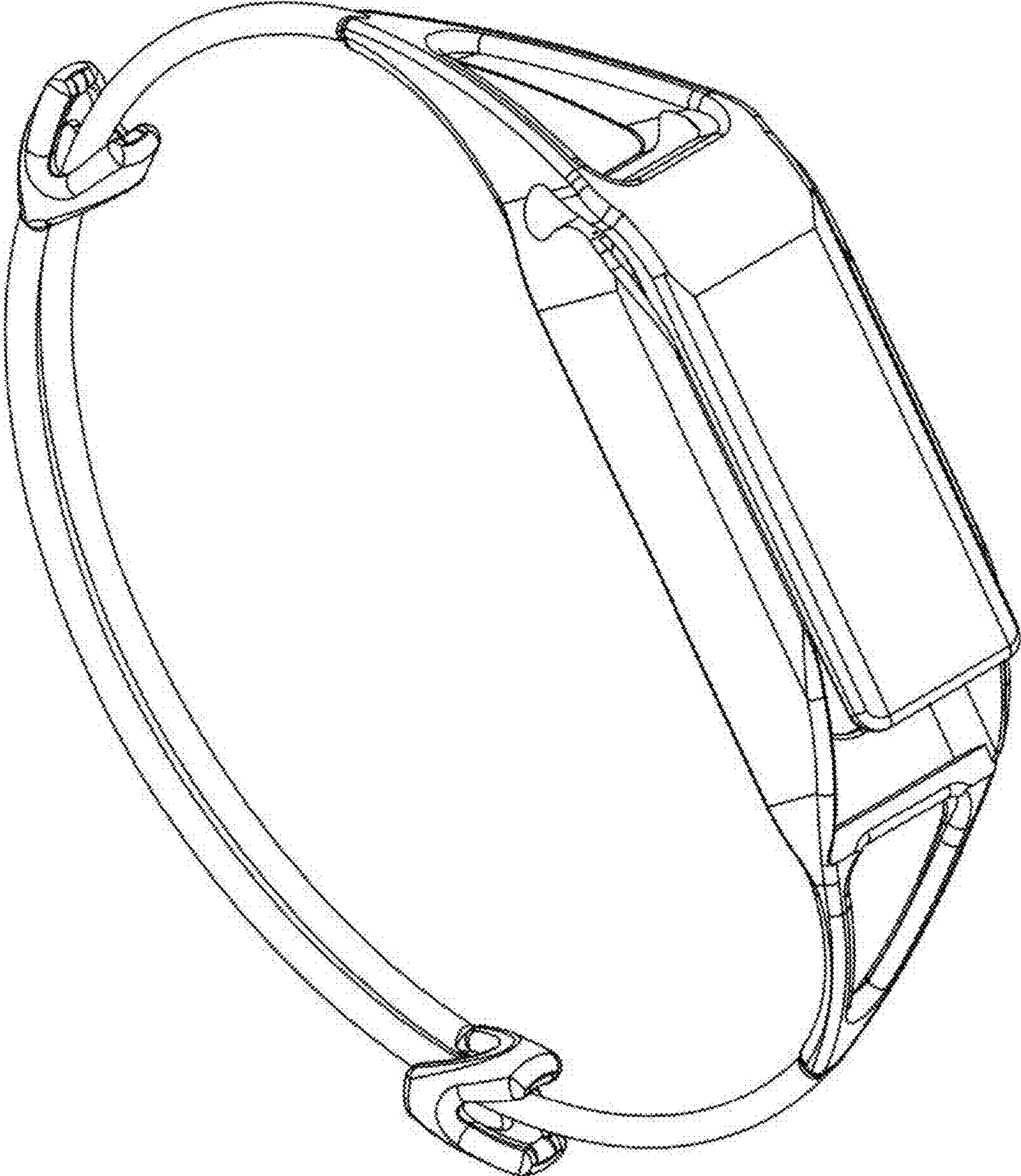


FIG. 1

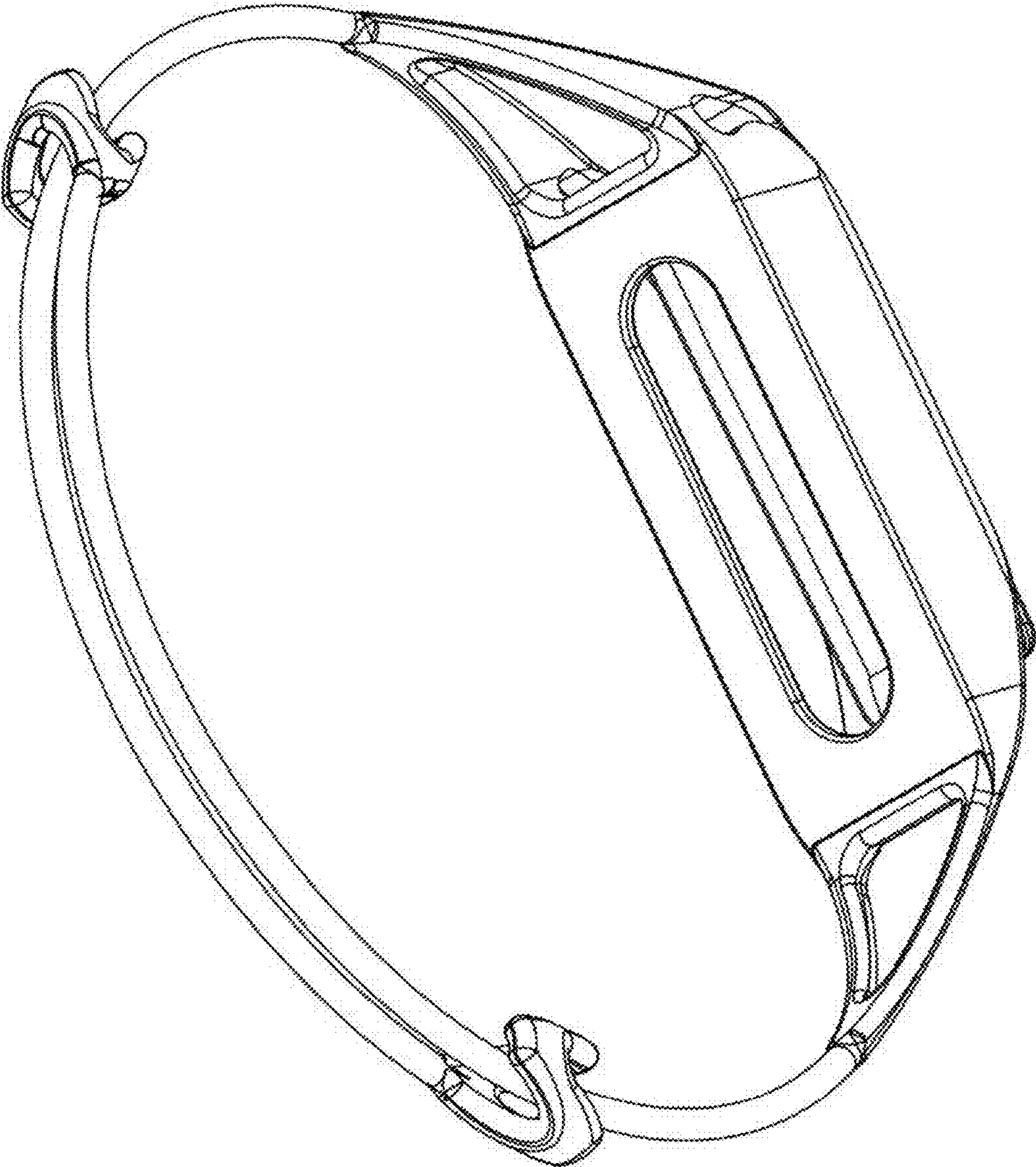


FIG. 2

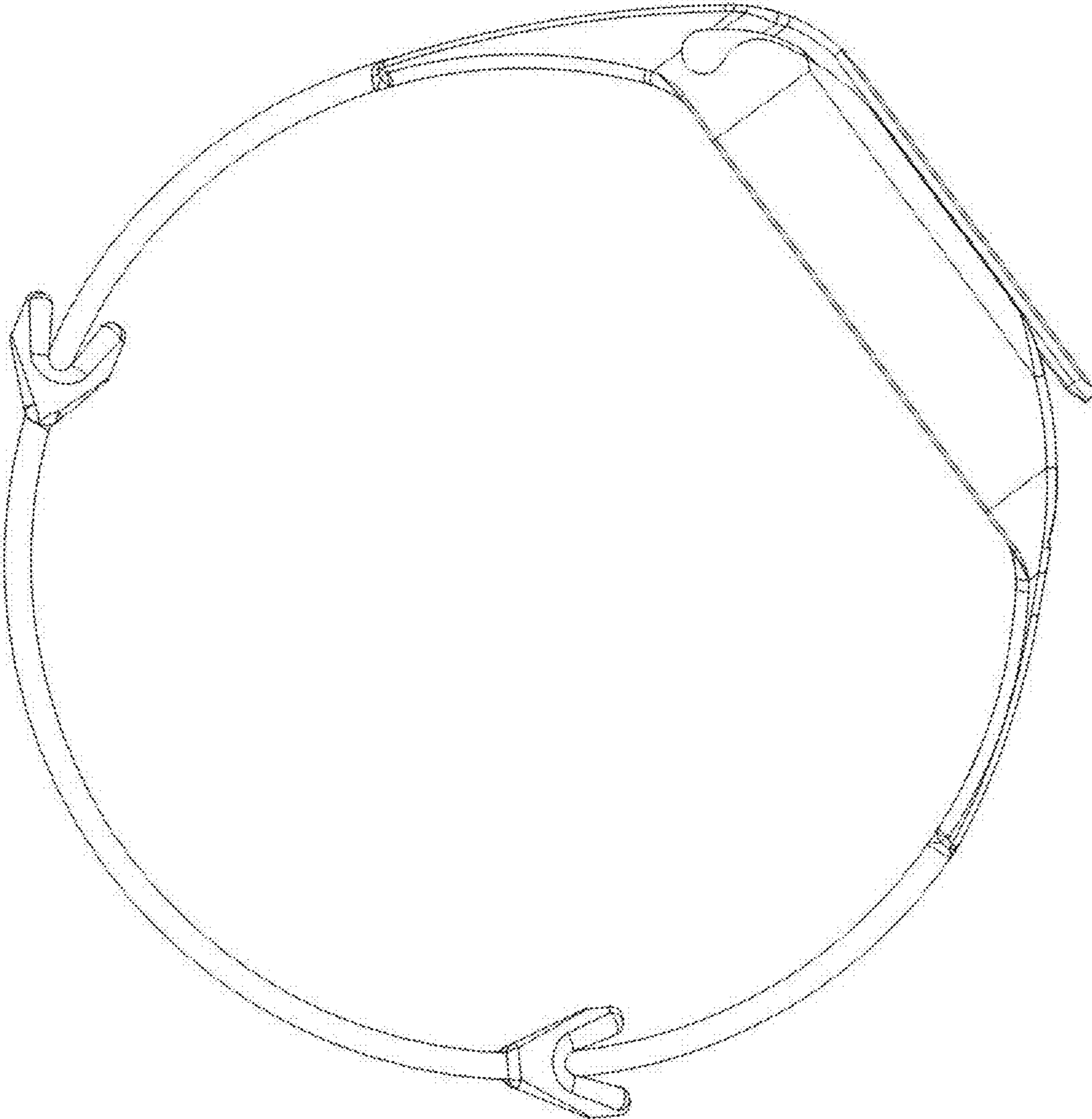


FIG. 3

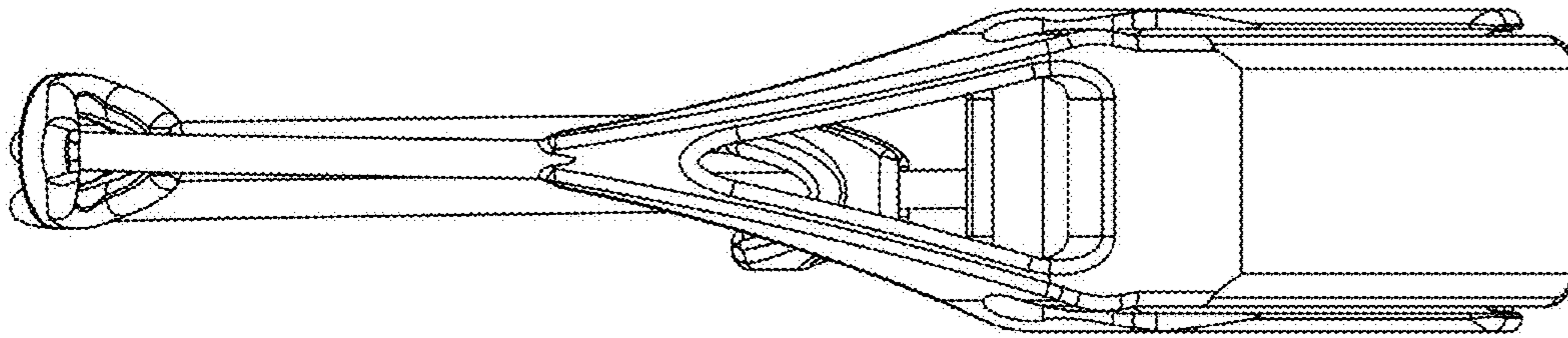


FIG. 4

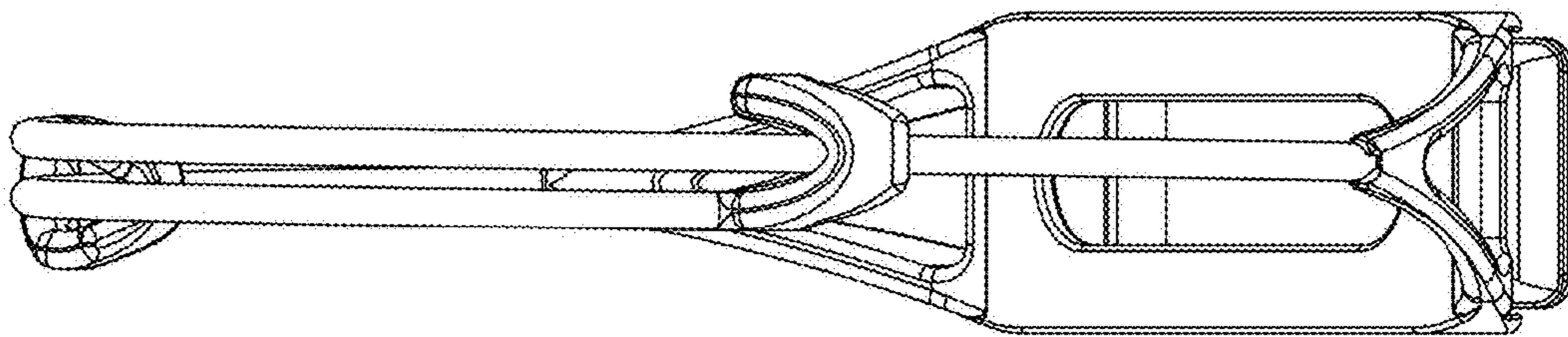


FIG. 5

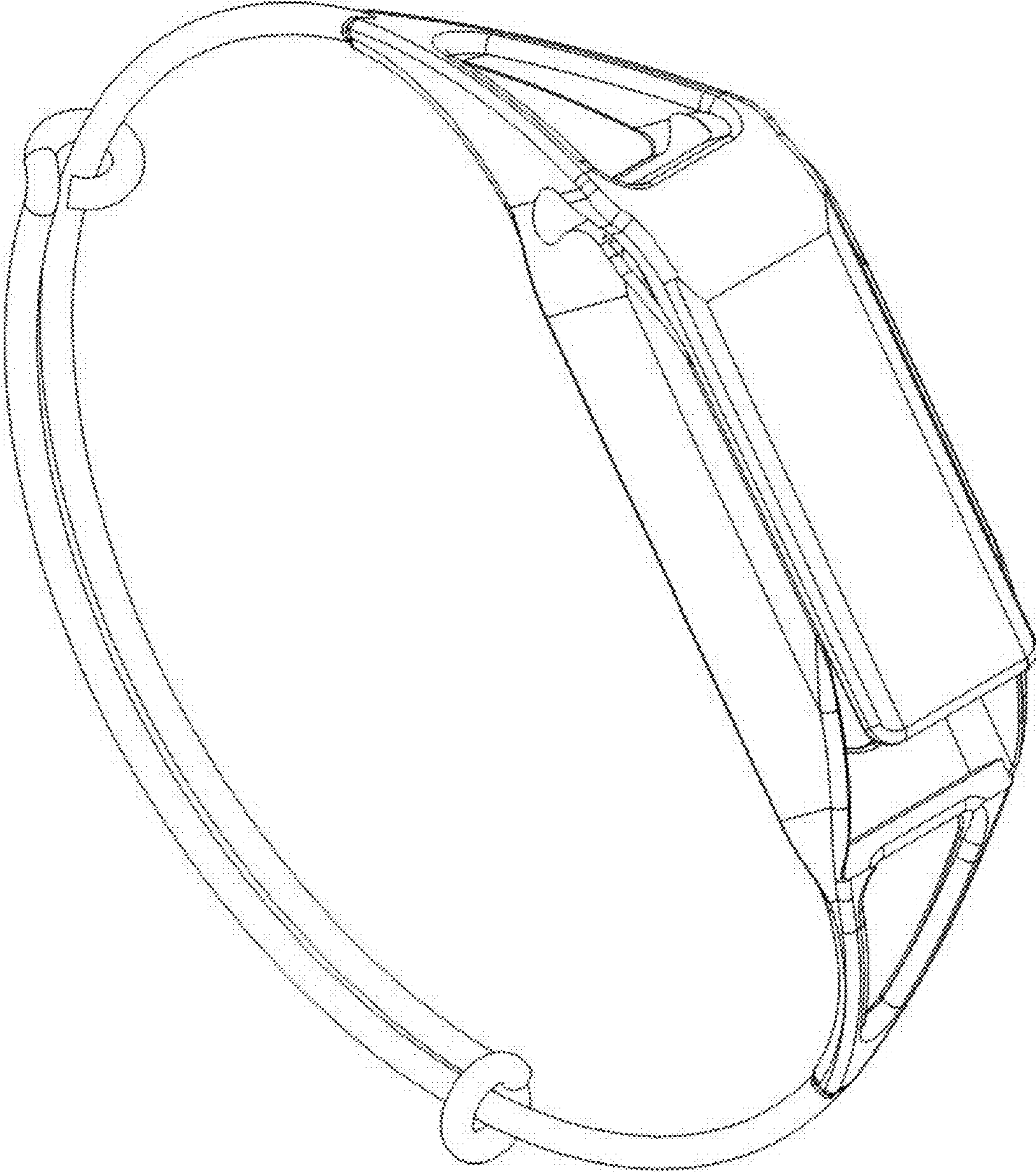


FIG. 6

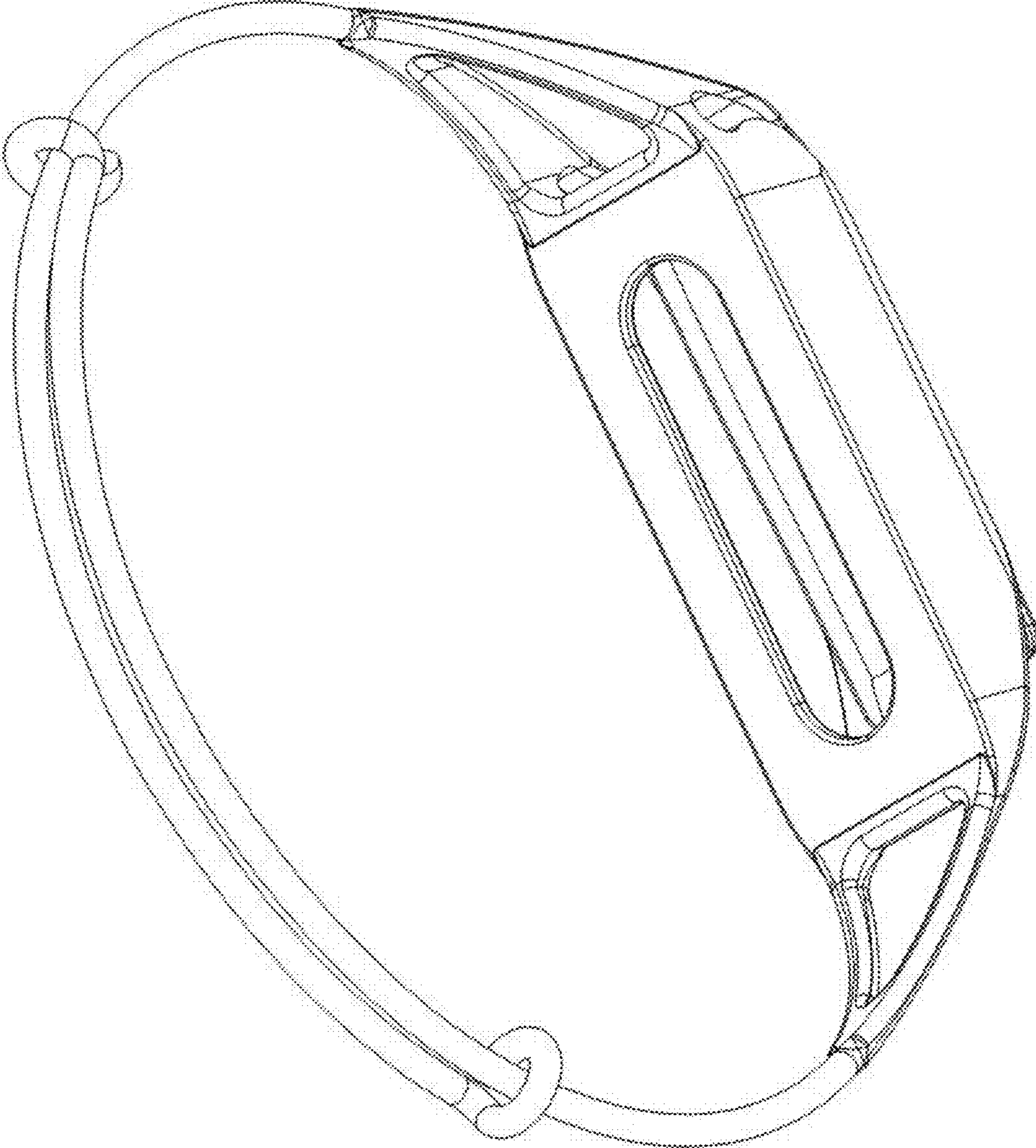


FIG. 7

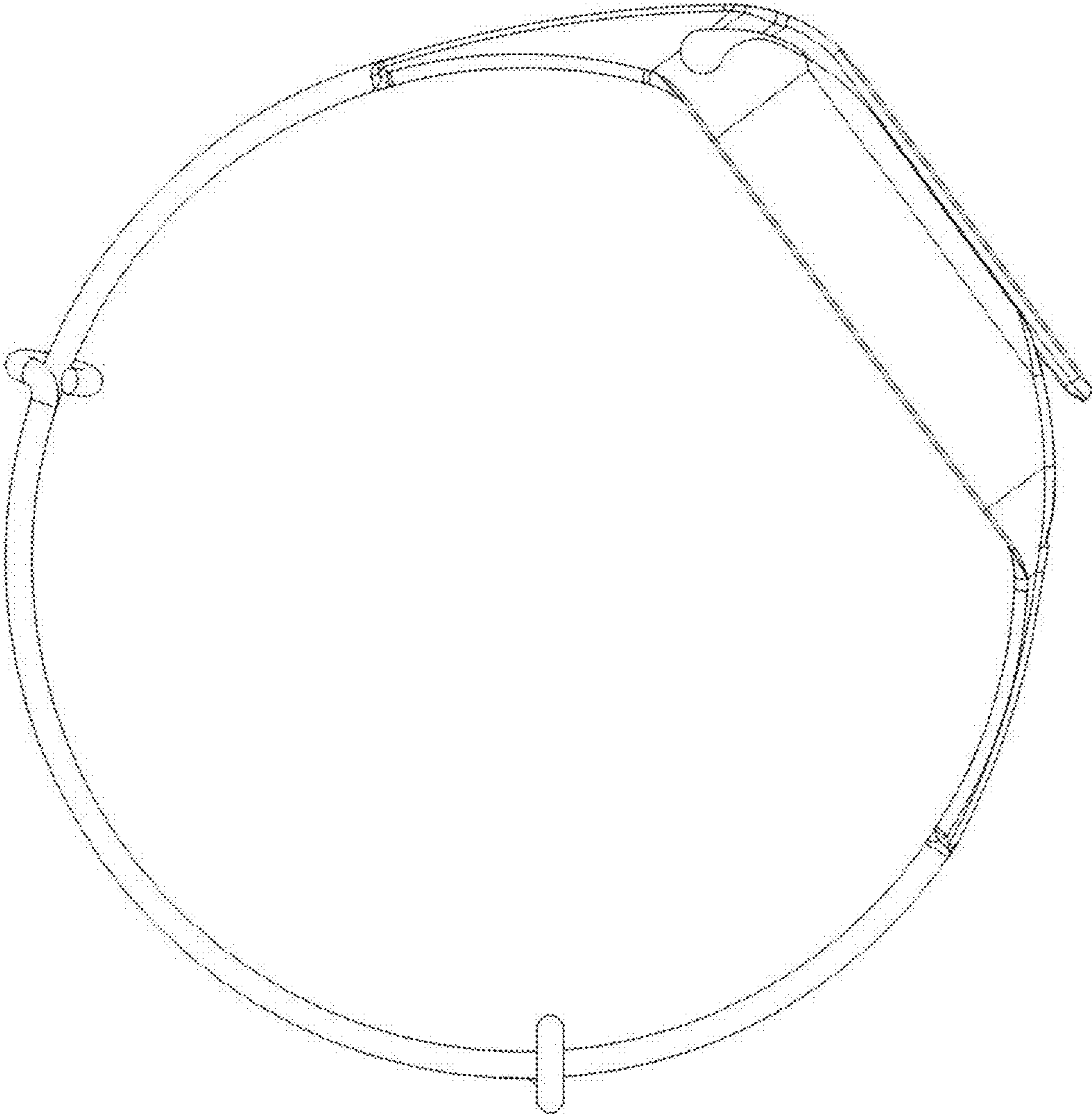


FIG. 8

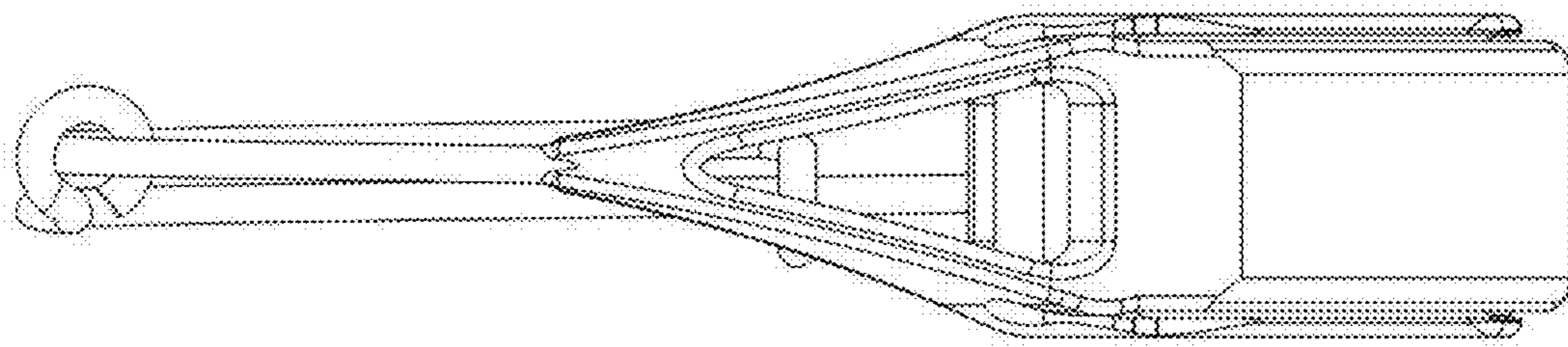


FIG. 9

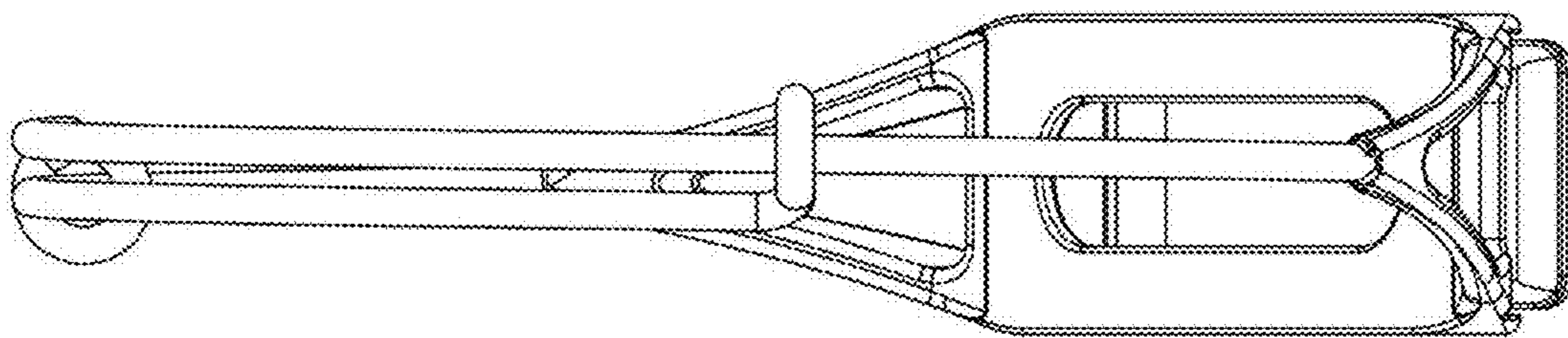


FIG. 10