



US00D782354S

(12) **United States Design Patent** (10) **Patent No.:** **US D782,354 S**  
**Lovin et al.** (45) **Date of Patent:** **\*\* Mar. 28, 2017**

(54) **HAZARDOUS CONDITION DETECTOR**  
(71) Applicant: **HONEYWELL INTERNATIONAL INC.**, Morristown, NJ (US)  
(72) Inventors: **Chris Lovin**, Austin, TX (US); **Travis Read**, Little Canada, MN (US); **Rajat Shail**, Stevensville, MI (US)  
(73) Assignee: **HONEYWELL INTERNATIONAL INC.**, Morristown, NJ (US)  
(\*\*) Term: **15 Years**  
(21) Appl. No.: **29/543,542**  
(22) Filed: **Oct. 26, 2015**  
(51) **LOC (10) Cl.** ..... **10-04**  
(52) **U.S. Cl.**  
USPC ..... **D10/101; D10/50; D10/52; D10/53; D10/56; D10/104.1; D10/106.1**  
(58) **Field of Classification Search**  
USPC .. D10/49, 50, 52, 53, 56, 101, 104.1, 106.1; D14/358, 168  
CPC ..... G08B 21/02; G08B 21/18; G08B 21/182; G08B 21/20; G08B 3/00; G08B 19/00; G08B 19/02; G01D 7/00; G01D 11/24; G01D 11/245; G01F 1/00; G01N 33/0031; G01N 33/0032  
See application file for complete search history.

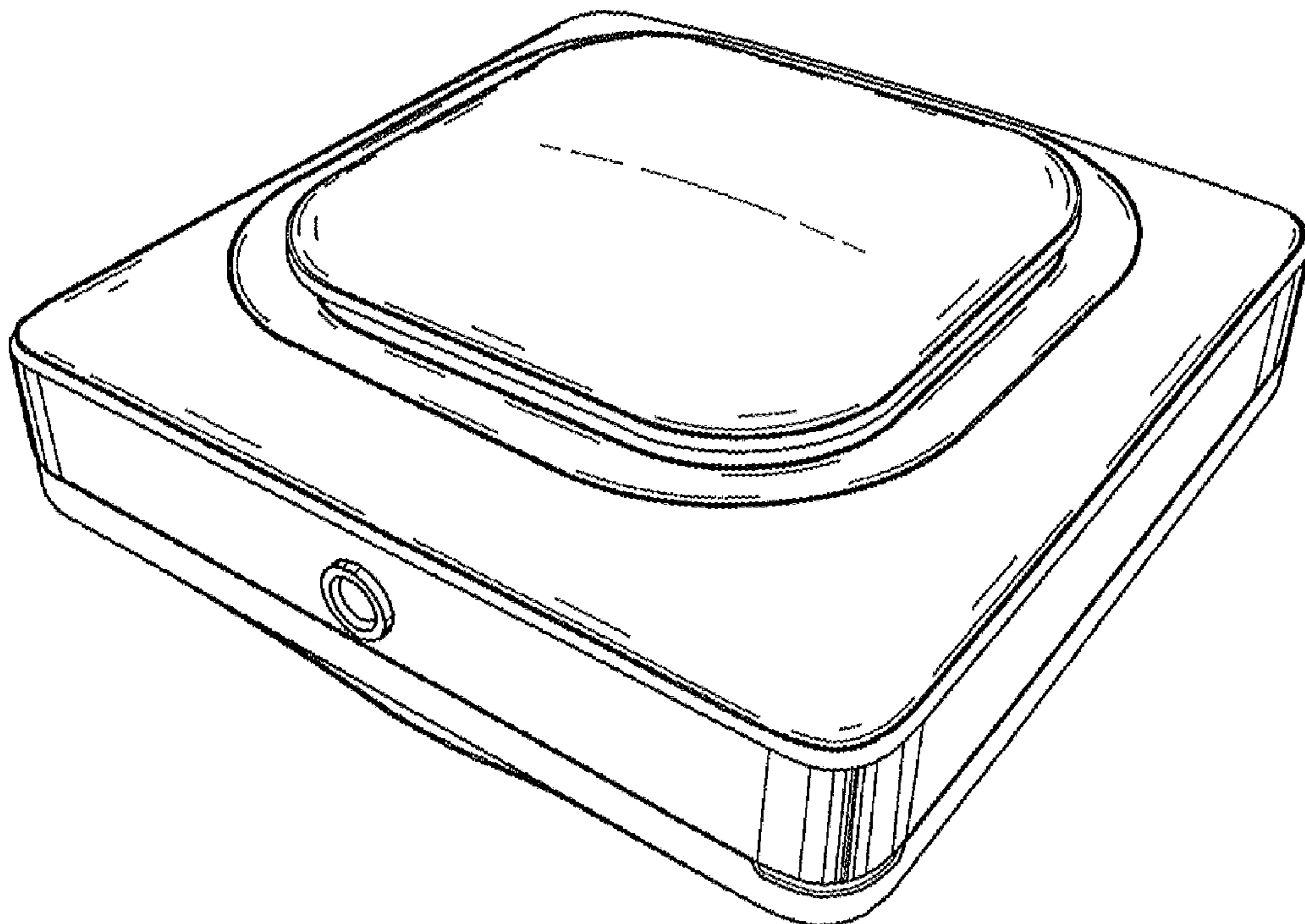
(56) **References Cited**  
U.S. PATENT DOCUMENTS  
D585,060 S \* 1/2009 Han ..... D14/358  
D638,426 S \* 5/2011 Ikeda ..... D14/358  
D689,051 S \* 9/2013 Lee ..... D14/358  
8,963,726 B2 \* 2/2015 Kates ..... G01N 33/0065  
340/577  
D730,755 S \* 6/2015 Bould ..... D10/53  
9,183,719 B2 \* 11/2015 Gouge ..... A61B 5/01  
D744,483 S \* 12/2015 Barbu ..... D14/358  
D745,420 S \* 12/2015 Li ..... D10/50  
9,257,030 B2 \* 2/2016 Gettings ..... G01N 21/84  
D751,426 S \* 3/2016 Edgar ..... D10/50

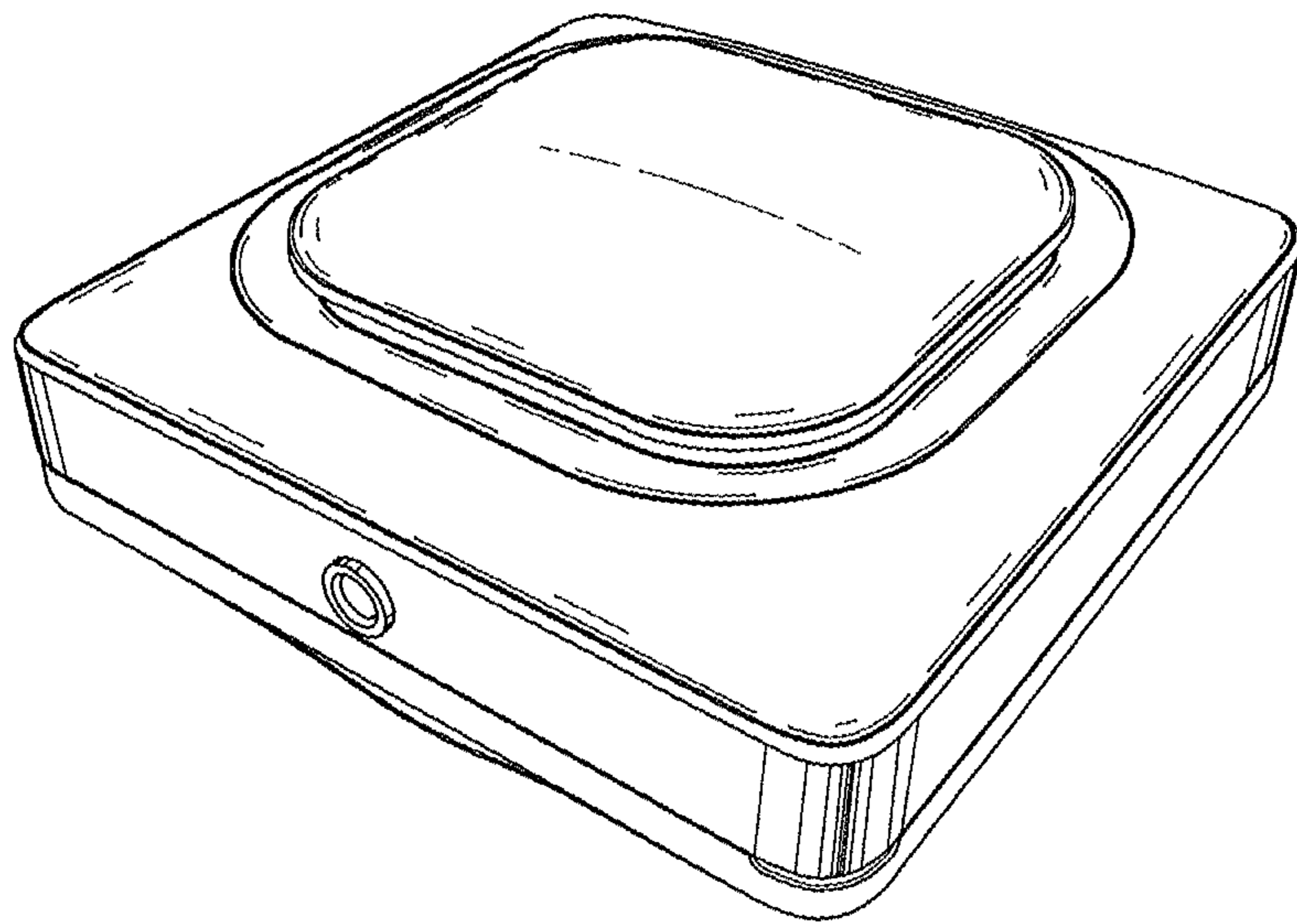
\* cited by examiner  
*Primary Examiner* — Antoine D Davis  
(74) *Attorney, Agent, or Firm* — Husch Blackwell LLP

(57) **CLAIM**  
The ornamental design for a hazardous condition detector, as shown and described.

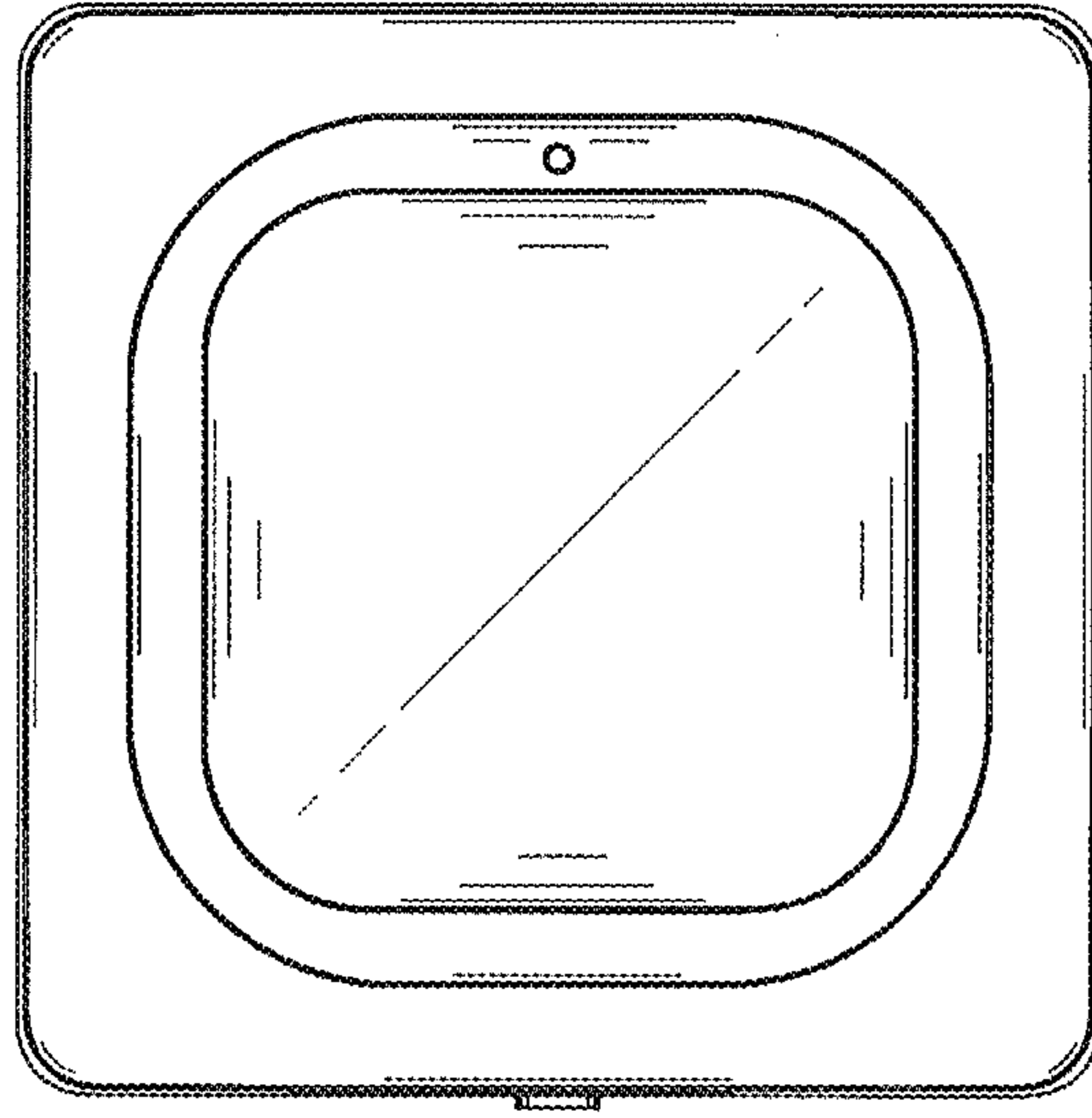
**DESCRIPTION**  
FIG. 1 is a perspective view of the hazardous condition detector;  
FIG. 2 is a front elevation view thereof;  
FIG. 3 is a rear elevation view thereof;  
FIG. 4 is a first side elevation view thereof;  
FIG. 5 is a second side elevation view thereof;  
FIG. 6 is a bottom plan view thereof; and,  
FIG. 7 is a top plan view thereof.

**1 Claim, 4 Drawing Sheets**

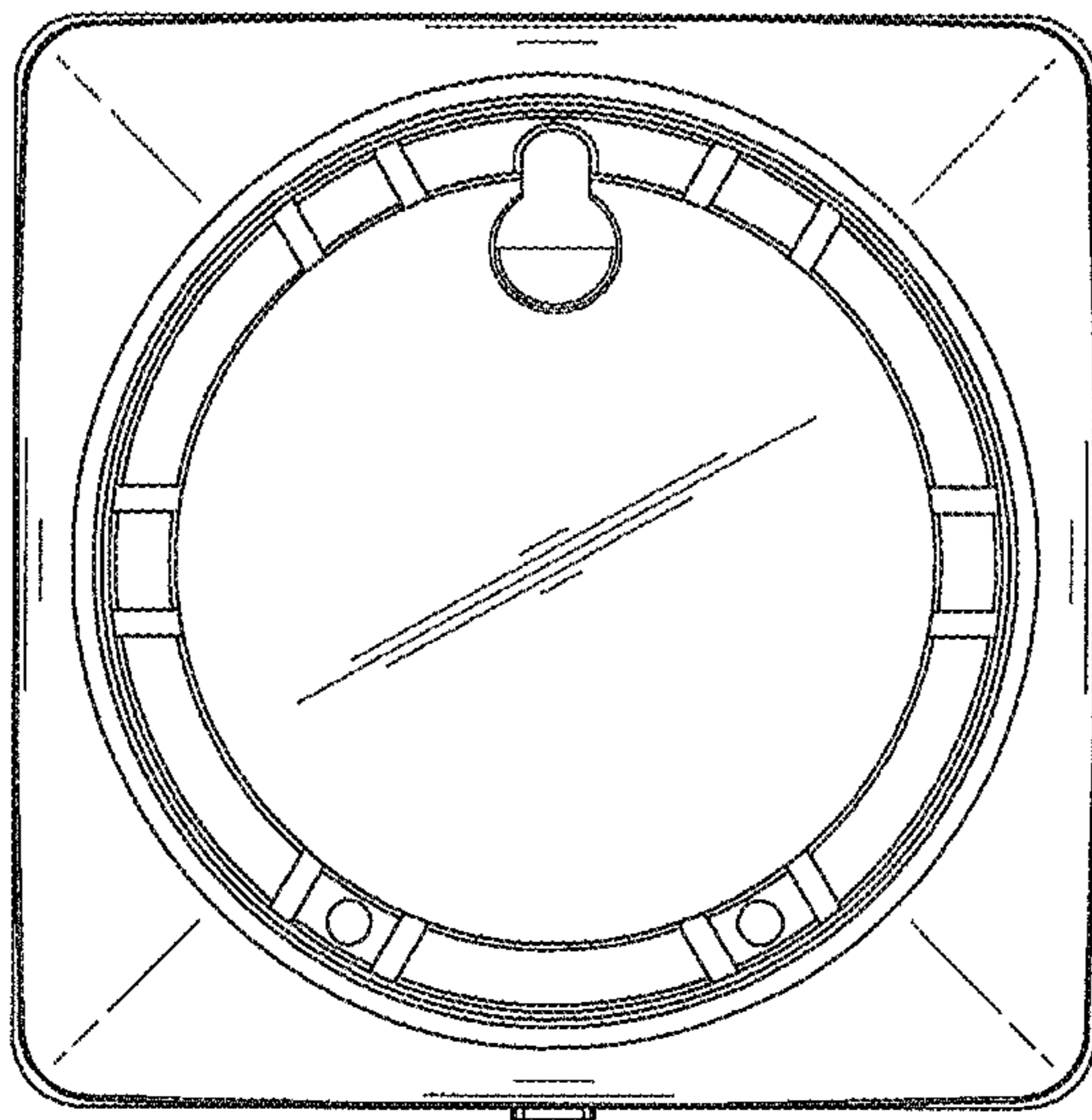




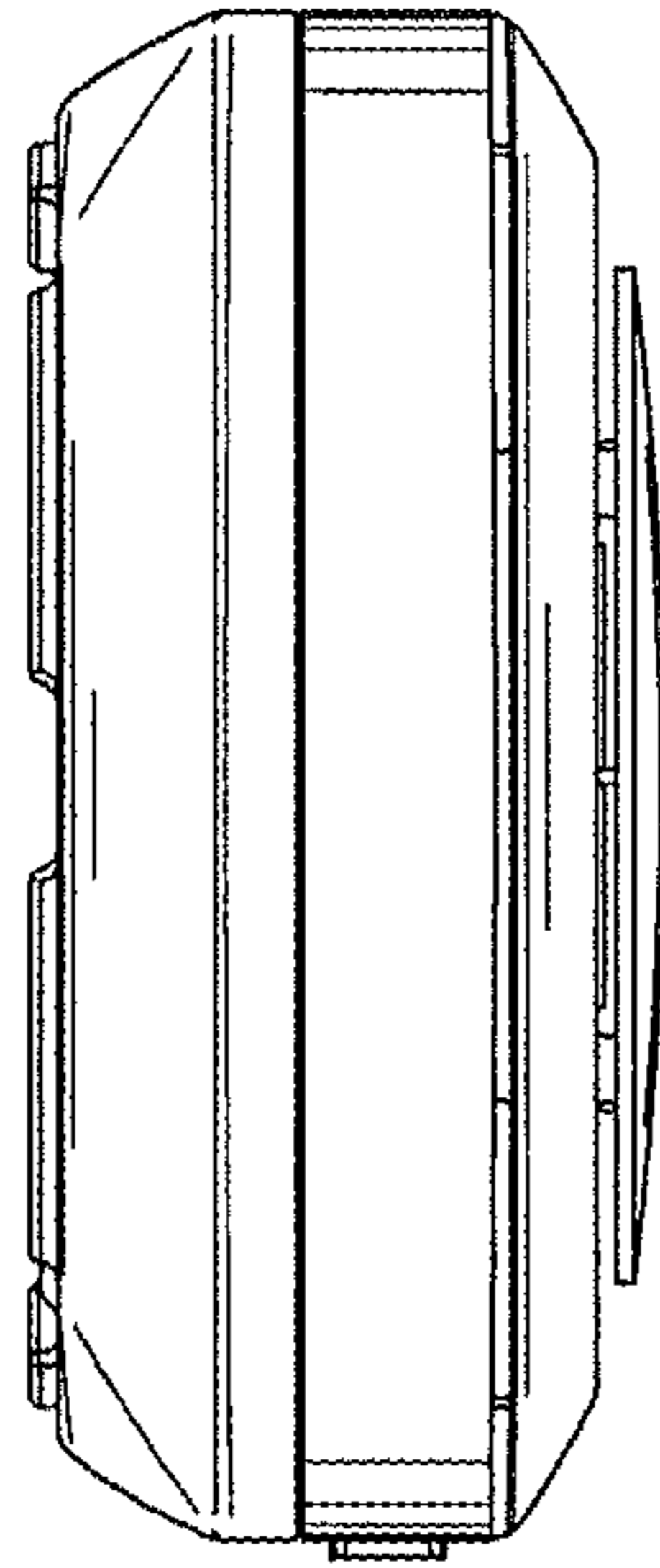
*FIG. 1*



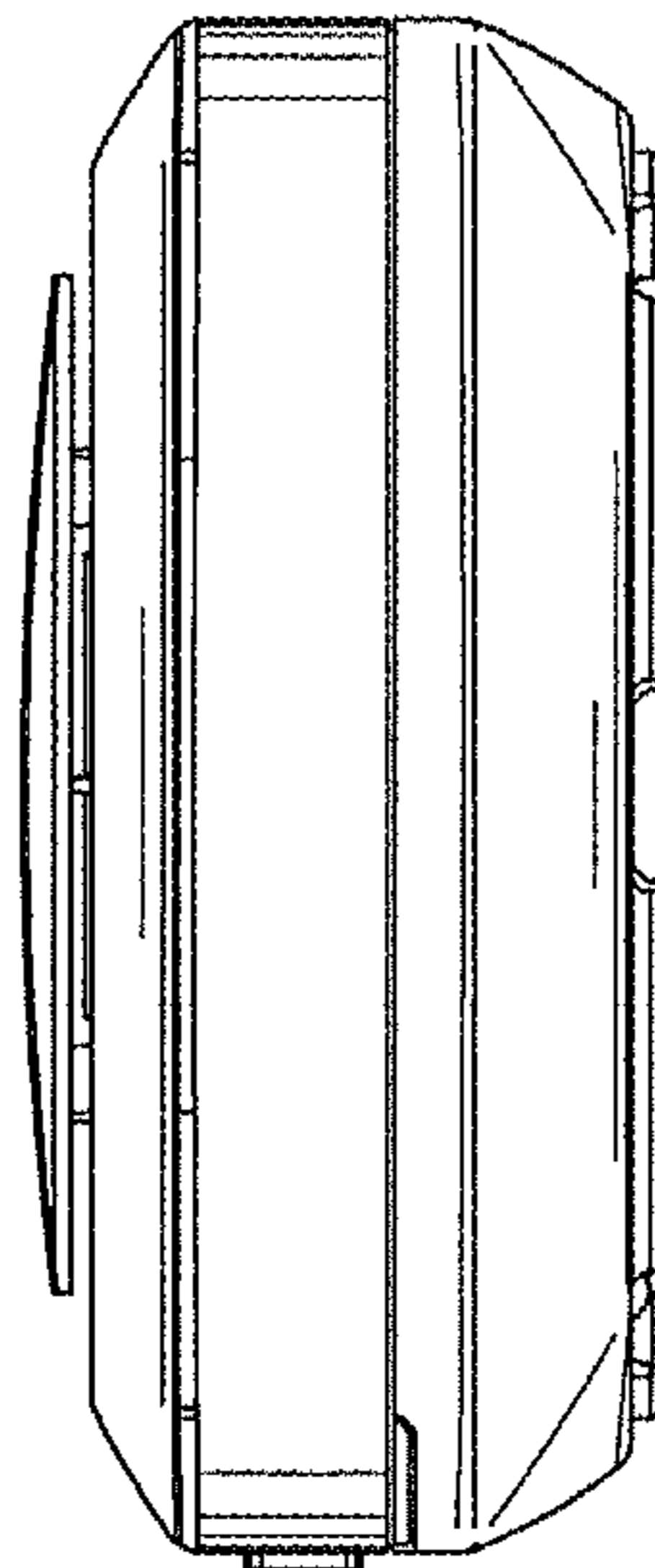
*FIG. 2*



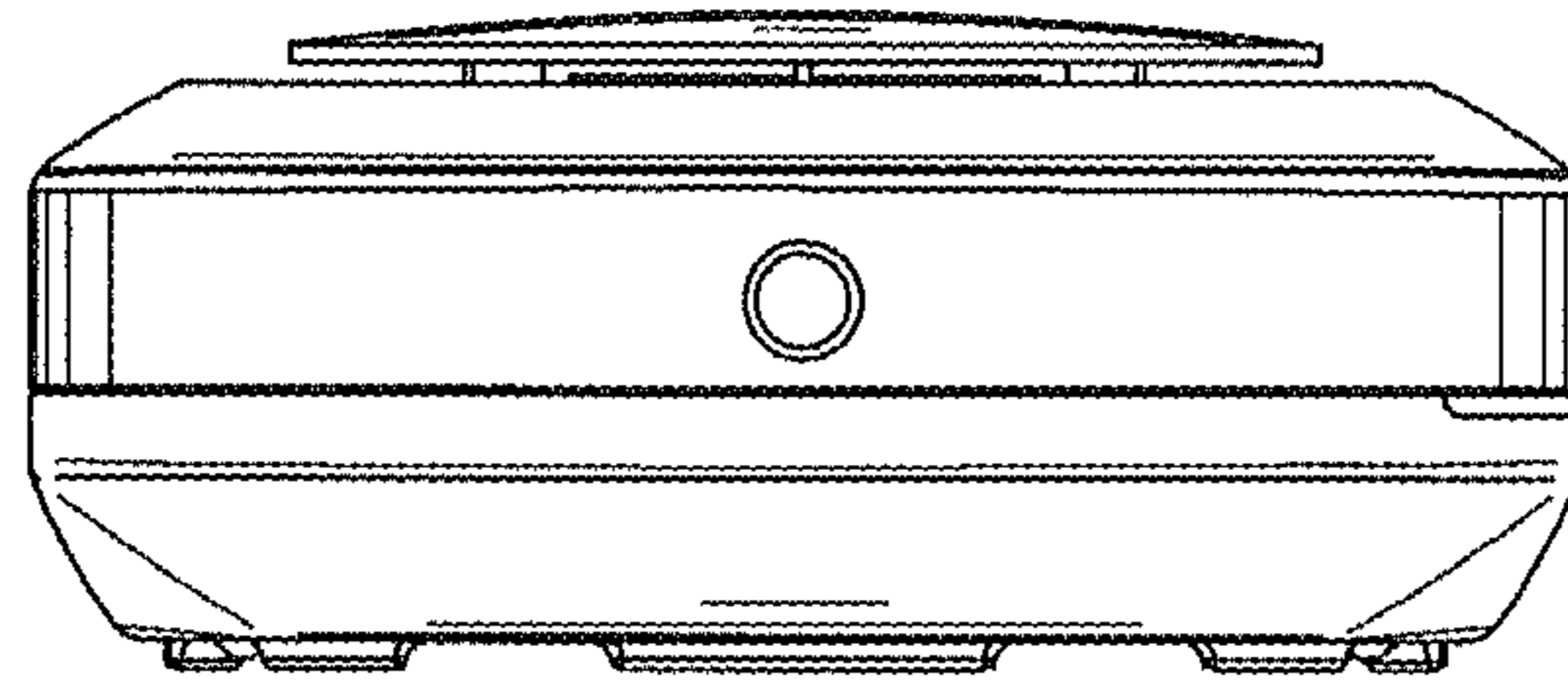
*FIG. 3*



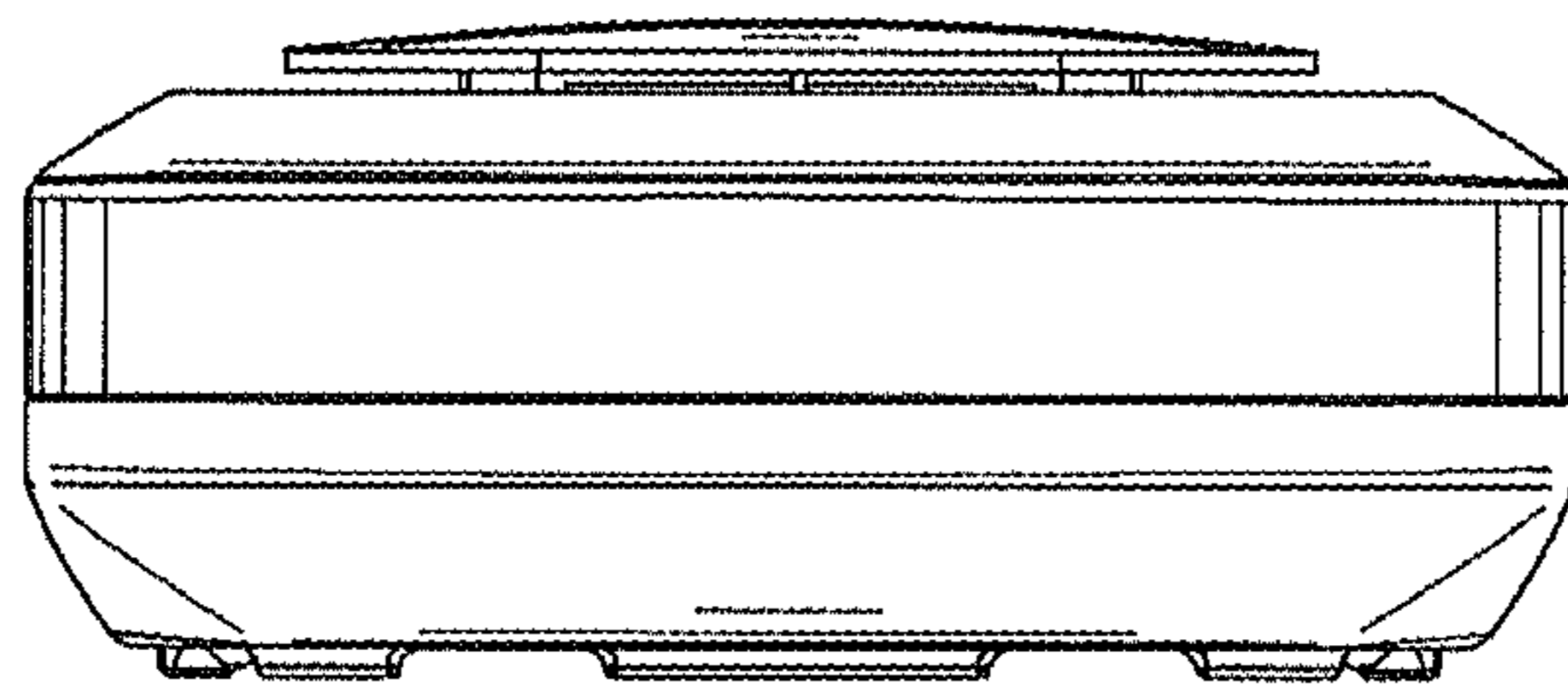
*FIG. 4*



*FIG. 5*



*FIG. 6*



*FIG. 7*