



US00D782353S

(12) **United States Design Patent**
Lim

(10) **Patent No.:** **US D782,353 S**
(45) **Date of Patent:** **** Mar. 28, 2017**

(54) **SENSOR WITH WHEELS FOR MEASURING MATERIALS**

(71) Applicant: **Proceq AG**, Schwerzenbach (CH)

(72) Inventor: **Wai-Loong Lim**, San Francisco, CA (US)

(73) Assignee: **Proceq AG**, Schwerzenbach (CH)

(**) Term: **14 Years**

(21) Appl. No.: **29/484,813**

(22) Filed: **Mar. 13, 2014**

(30) **Foreign Application Priority Data**

Sep. 13, 2013 (WO) DM/082 849

(51) **LOC (10) Cl.** **10-04**

(52) **U.S. Cl.**
USPC **D10/83**

(58) **Field of Classification Search**

USPC D10/70, 78, 83

CPC G01N 11/00; G01N 33/46; G01N 33/383;
G01N 2203/0658; G01N 2203/0688;
G01N 33/0623; G01N 33/067; G01N
2213/0208; G01N 29/11; G01N 29/12;
G01N 29/2418; G01N 29/045; G01N
29/225; G01N 29/226; G01N 29/223;
G01N 29/07

See application file for complete search history.

(56) **References Cited**

U.S. PATENT DOCUMENTS

6,581,466 B1* 6/2003 Costley et al. 73/584
8,952,967 B2* 2/2015 Hwang et al. 345/473

* cited by examiner

Primary Examiner — Antoine D Davis

(74) *Attorney, Agent, or Firm* — Muncy, Geissler, Olds & Lowe, P.C.

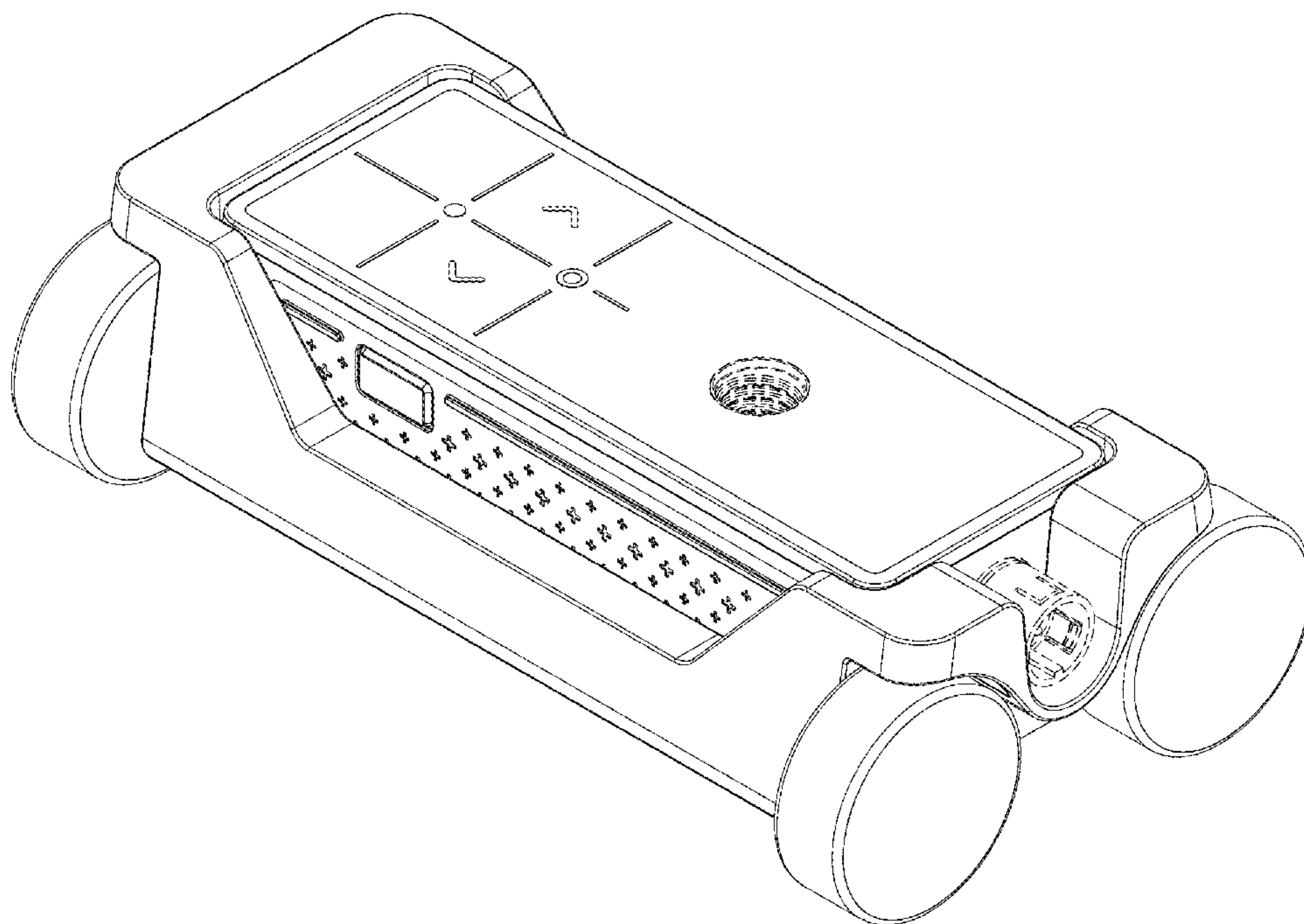
(57) **CLAIM**

I claim, the ornamental design for a sensor with wheels for measuring materials, as shown and described.

DESCRIPTION

FIG. 1 is a perspective view of a sensor with wheels for measuring materials, showing my new design; FIG. 2 is an enlarged partial view of FIG. 1; FIG. 3 is a top plan view thereof; FIG. 4 is a bottom plan view thereof; FIG. 5 is a right side elevation view thereof; FIG. 6 is a left side elevation view thereof; FIG. 7 is a rear elevation view thereof; FIG. 8 is a front elevation view thereof; FIG. 9 is another perspective view thereof, with the wheels removed; FIG. 10 is a top plan view thereof; FIG. 11 is a bottom plan view thereof; FIG. 12 is a right side elevation view thereof; FIG. 13 is a left side elevation view thereof; FIG. 14 is a rear elevation view thereof; FIG. 15 is a front elevation view thereof; and, FIG. 16 is a perspective view of the wheels thereof.

1 Claim, 16 Drawing Sheets



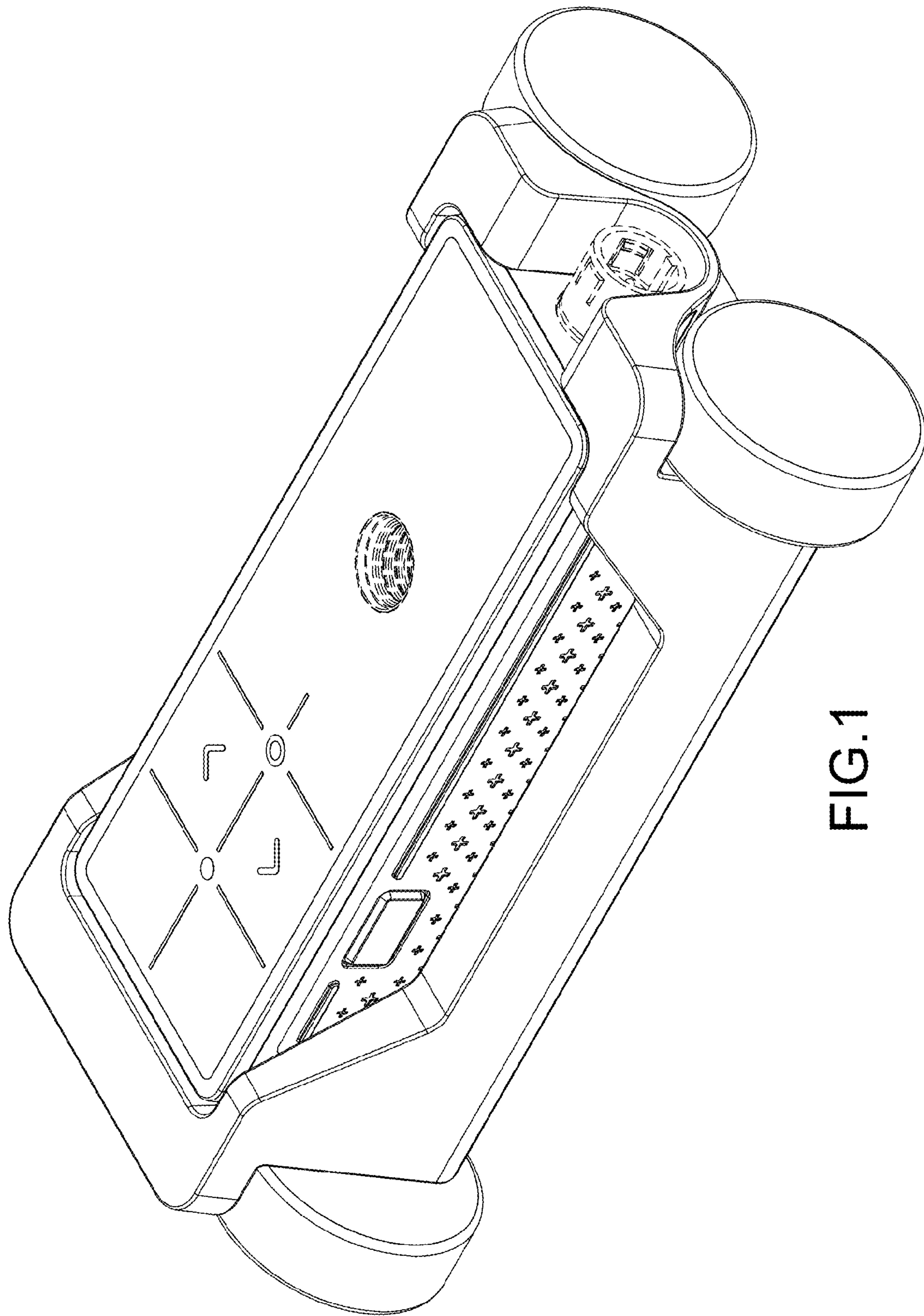


FIG.1

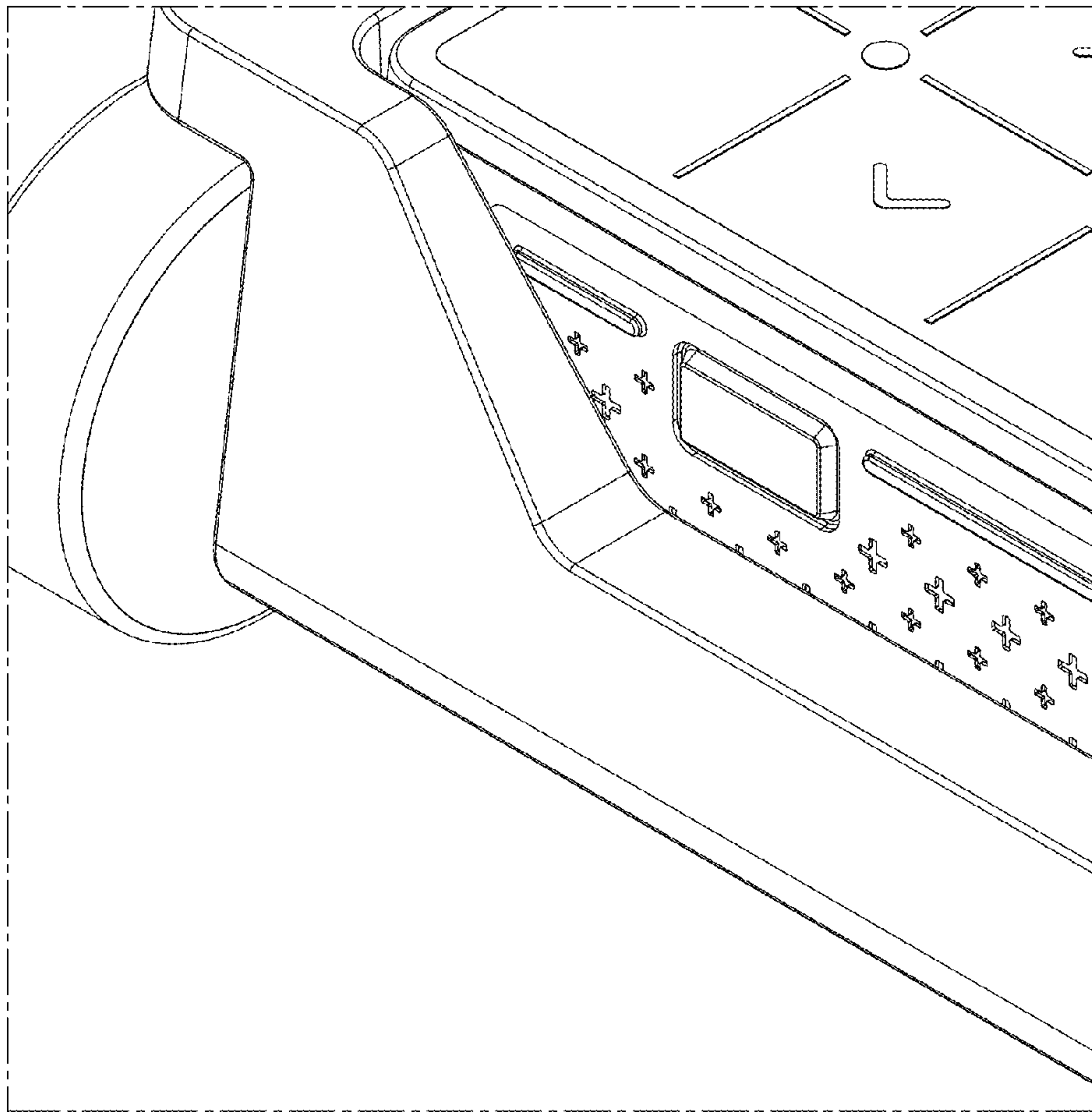


FIG.2

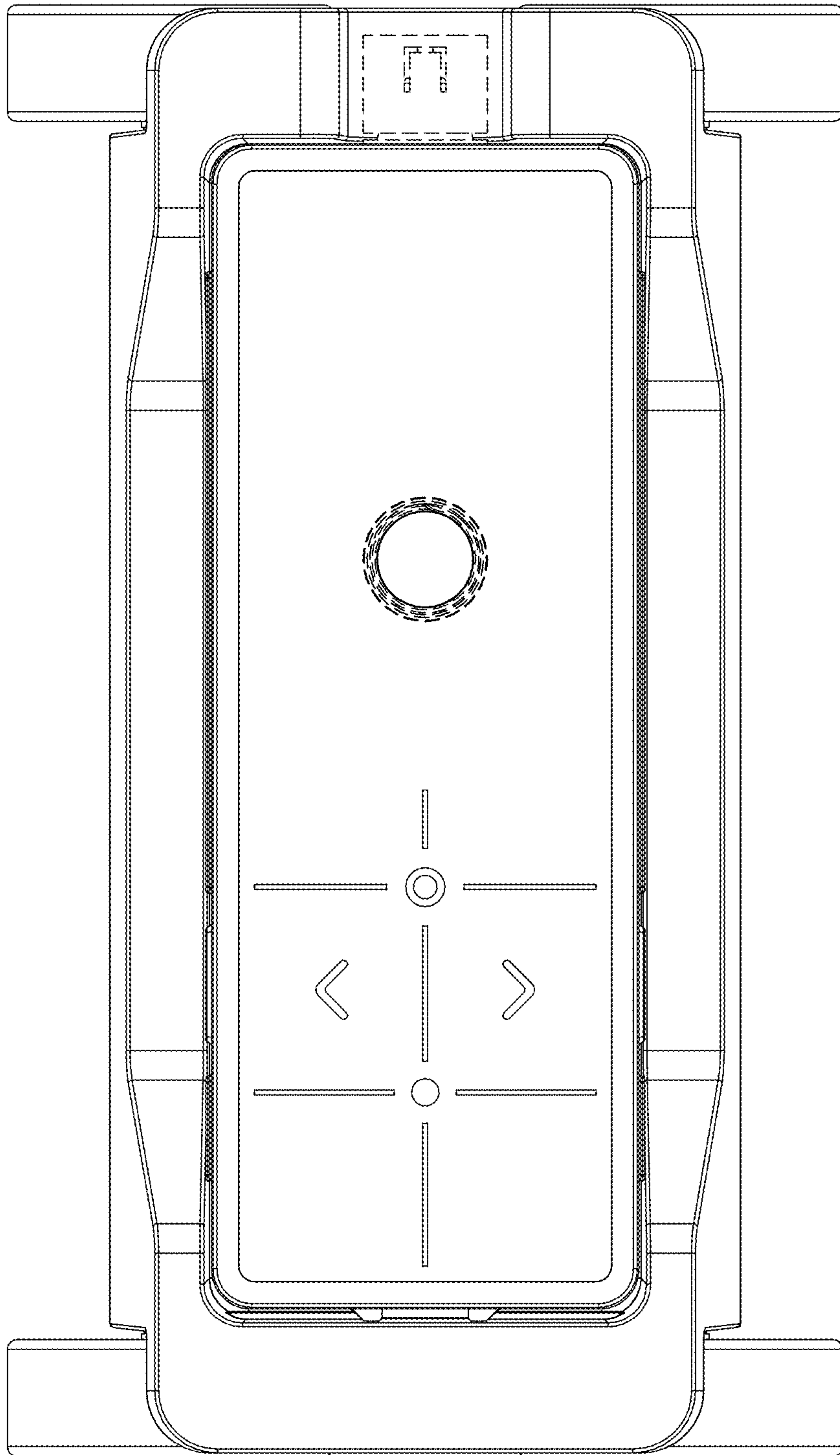


FIG.3

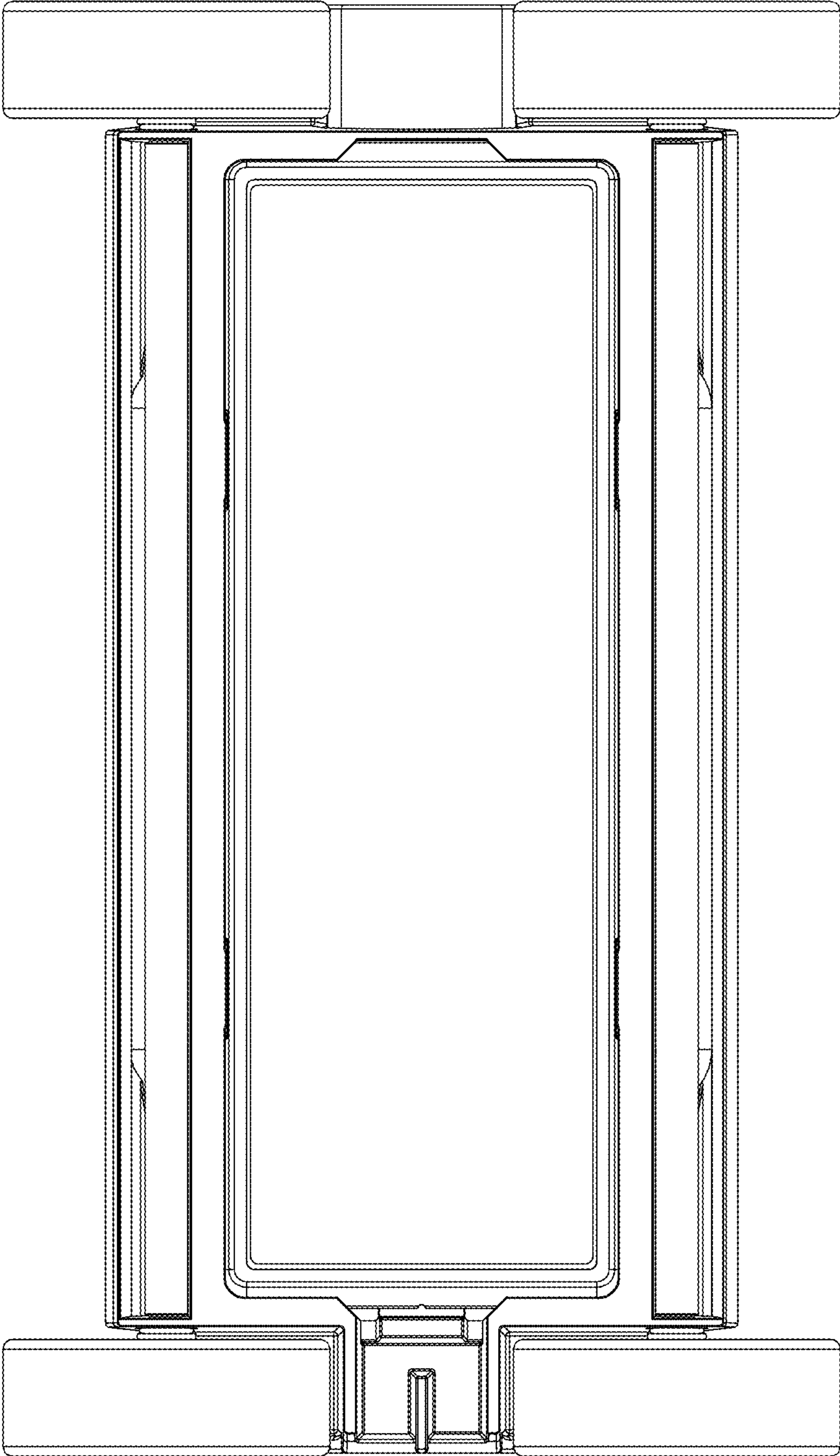


FIG.4

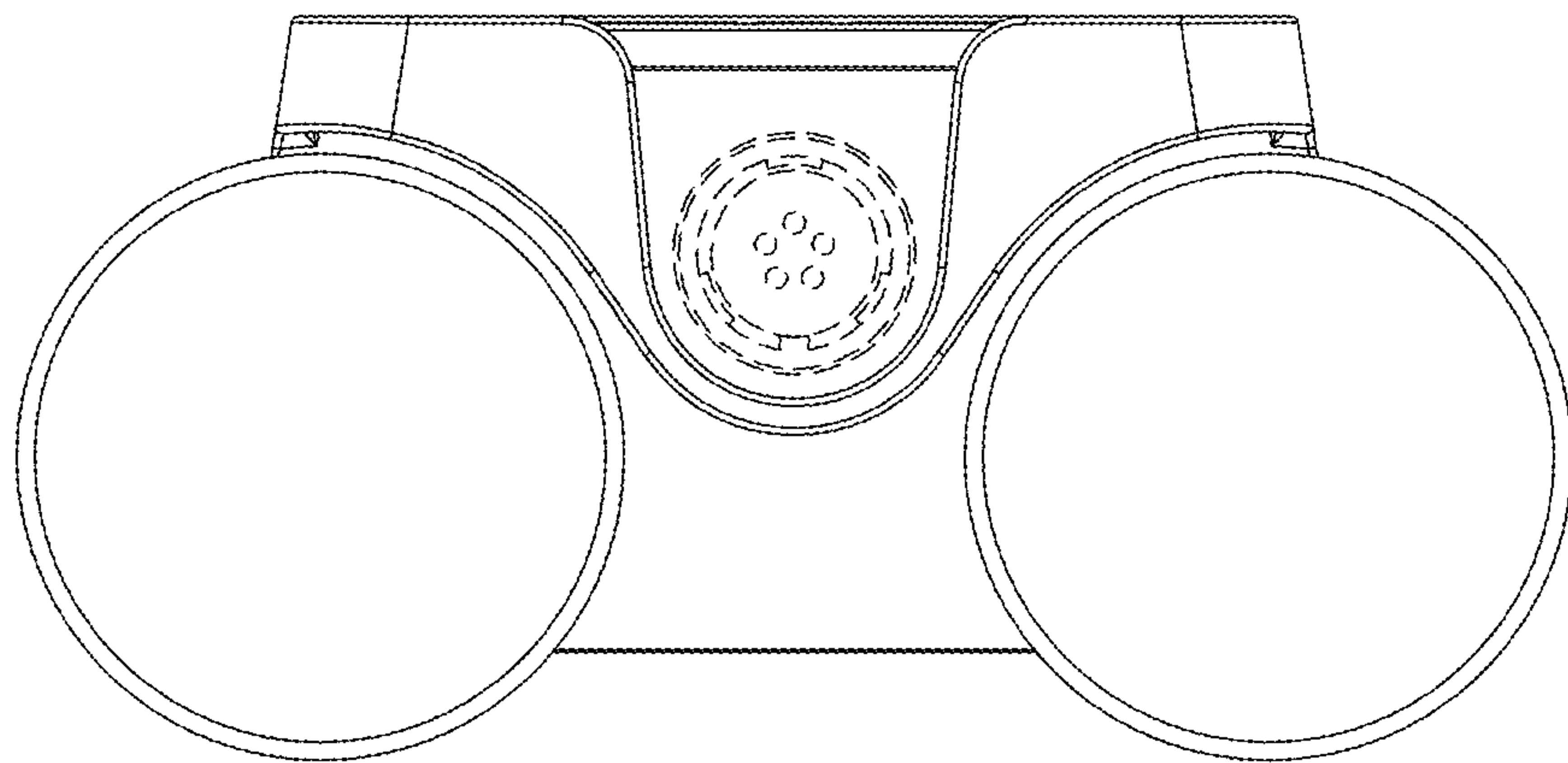


FIG.5

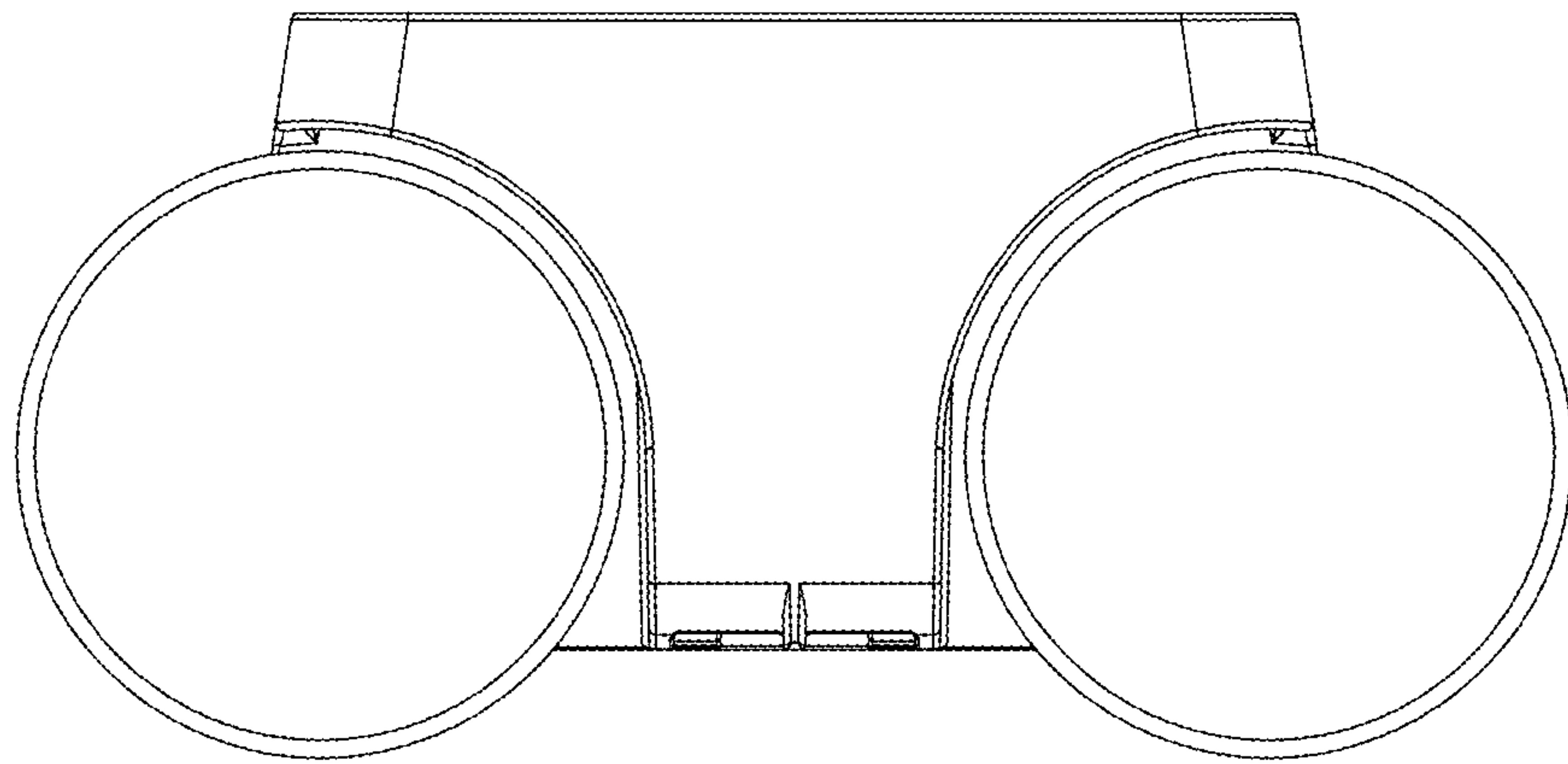


FIG.6

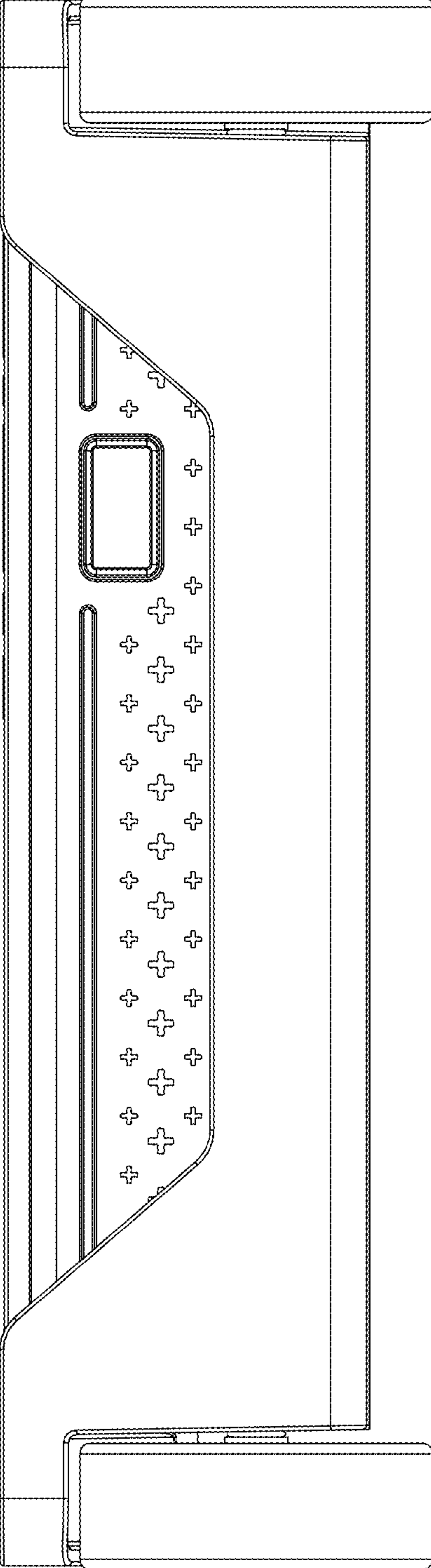


FIG.7

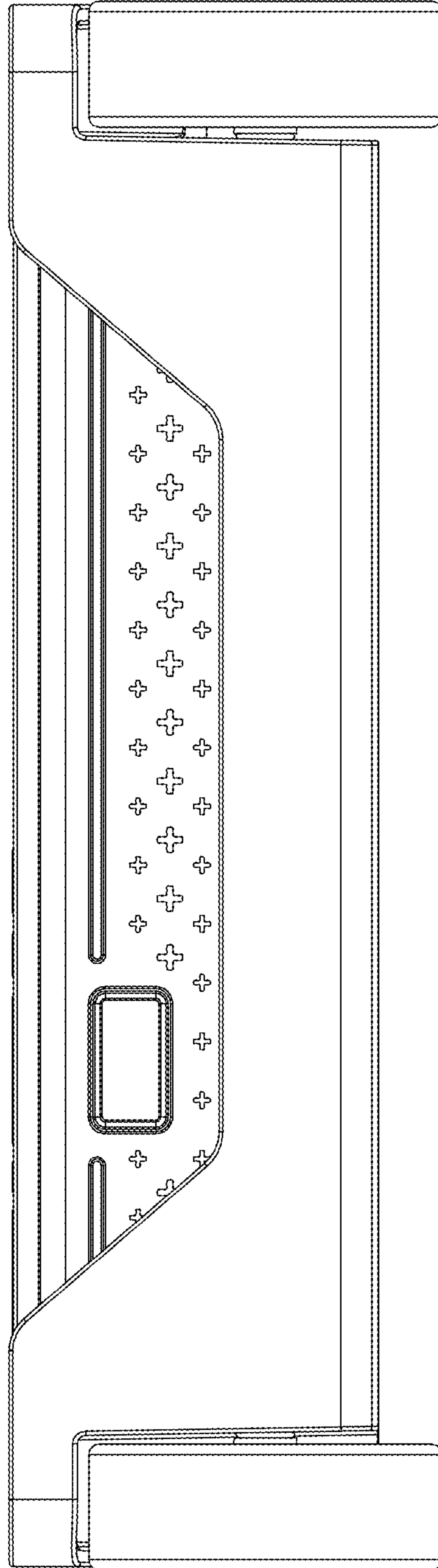


FIG.8

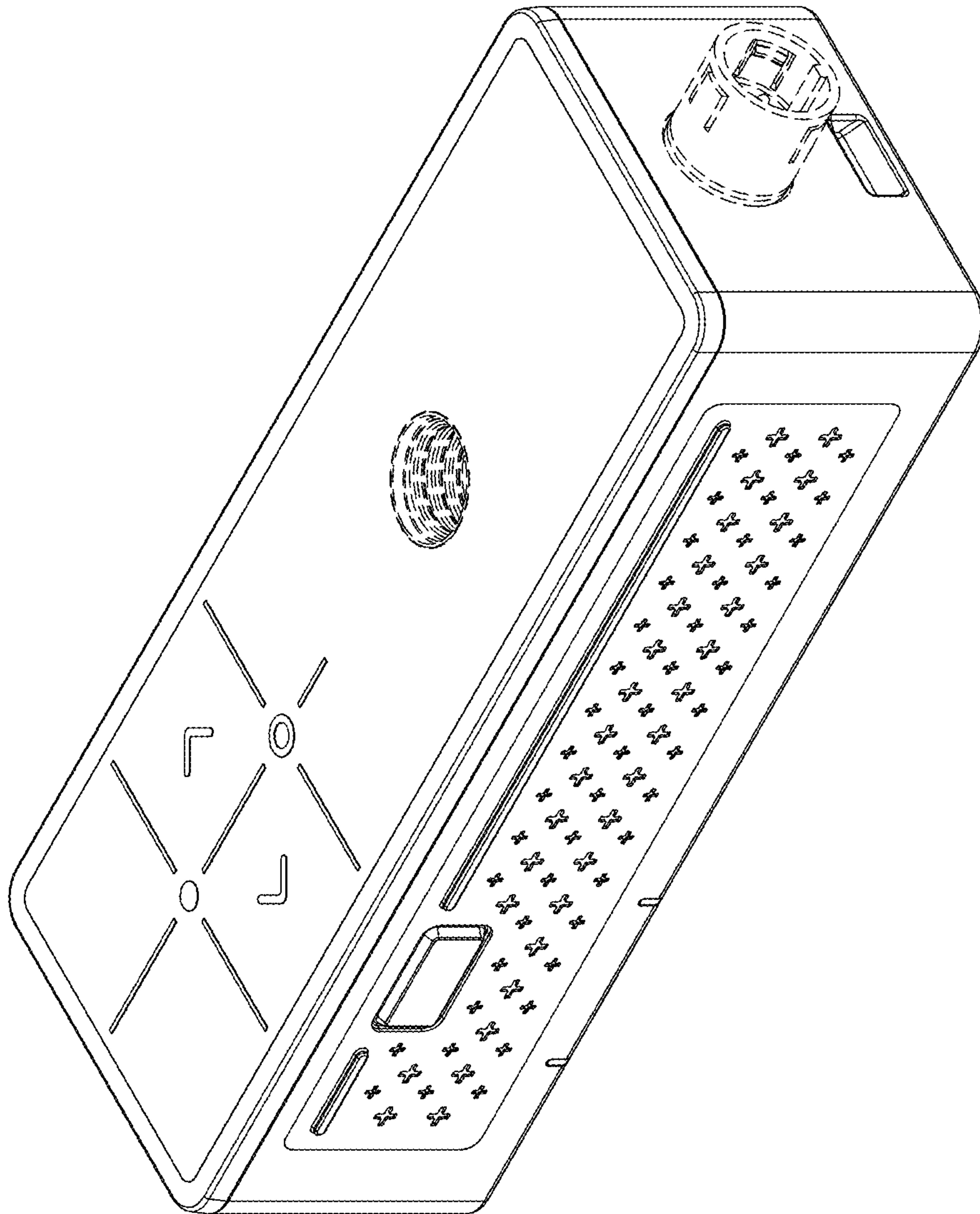


FIG. 9

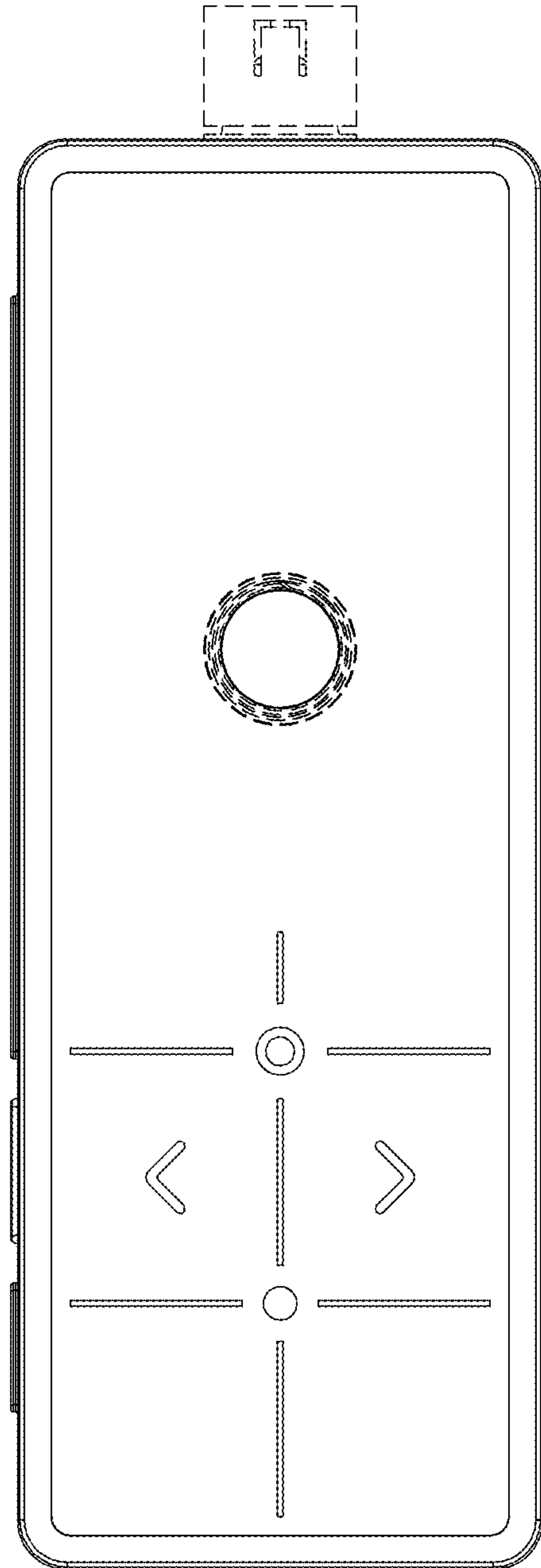


FIG.10

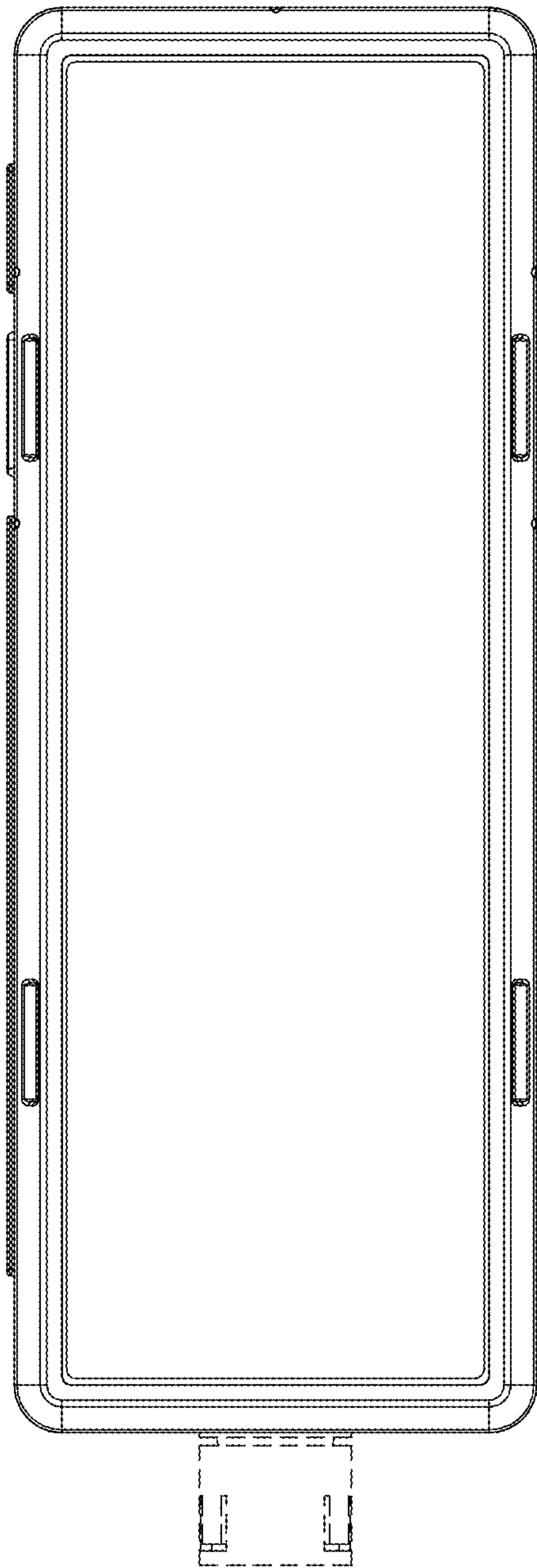


FIG.11

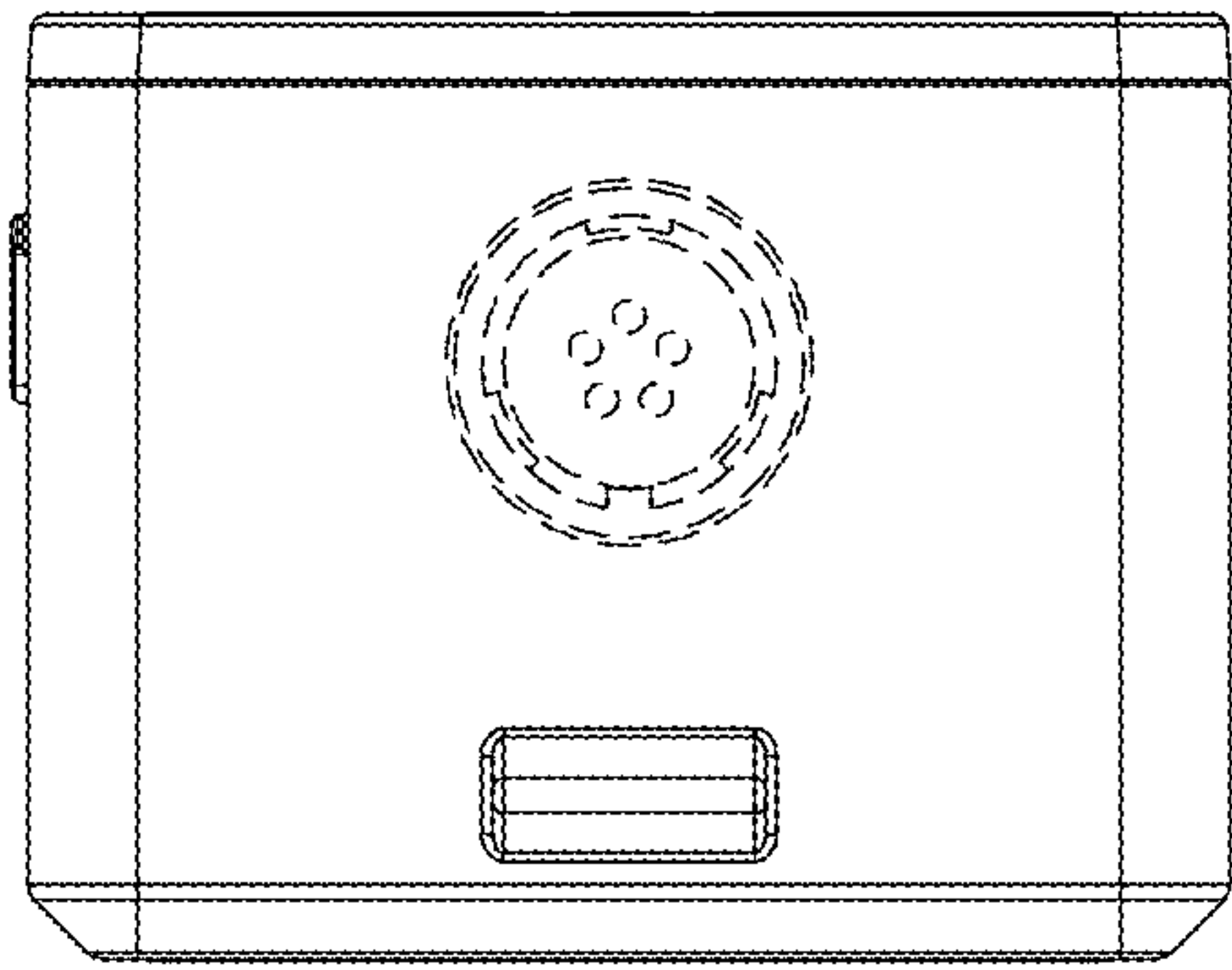


FIG.12

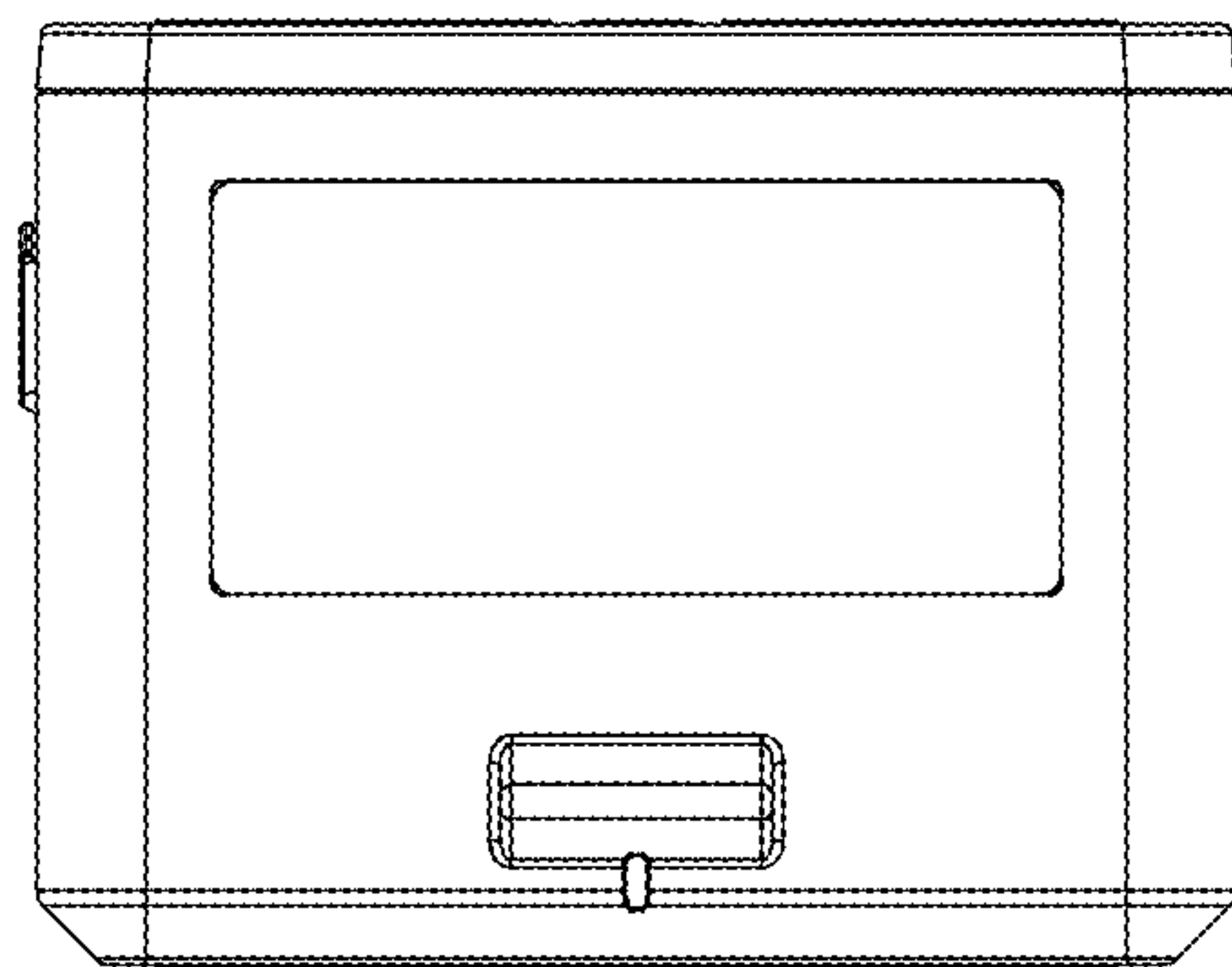


FIG.13

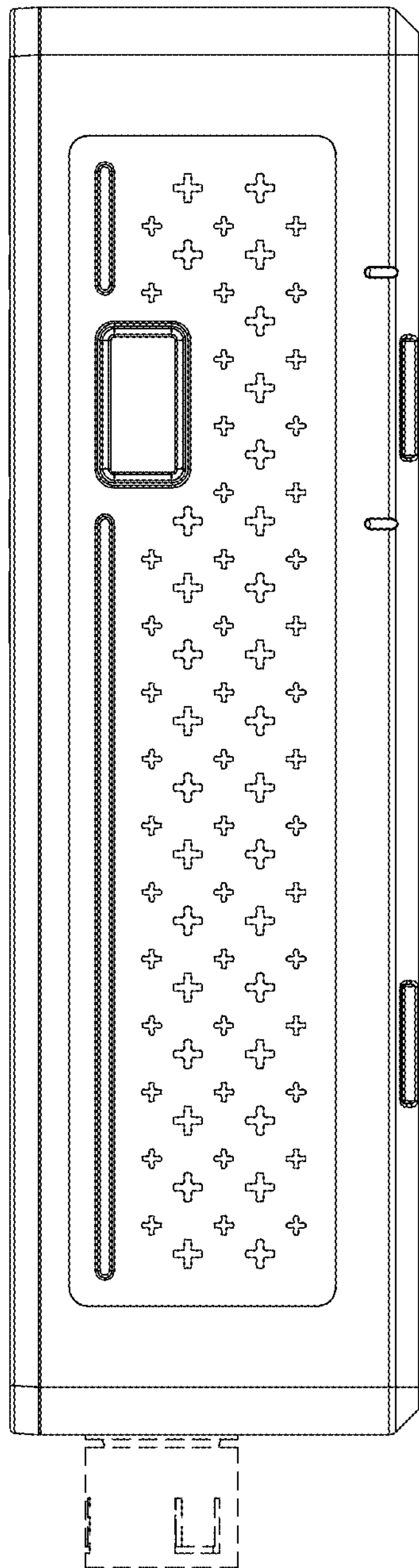


FIG. 14

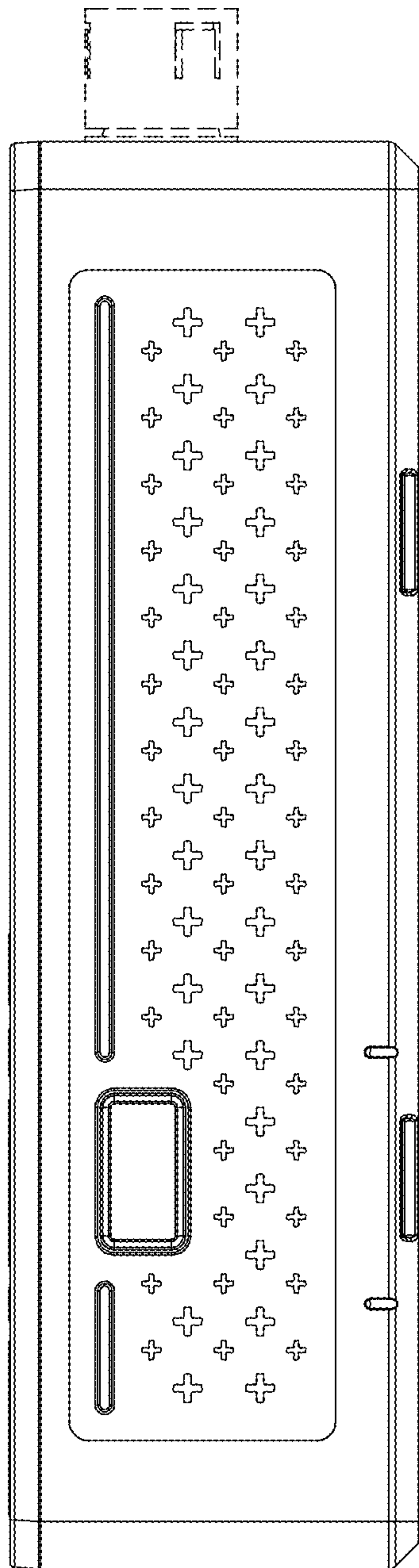


FIG.15

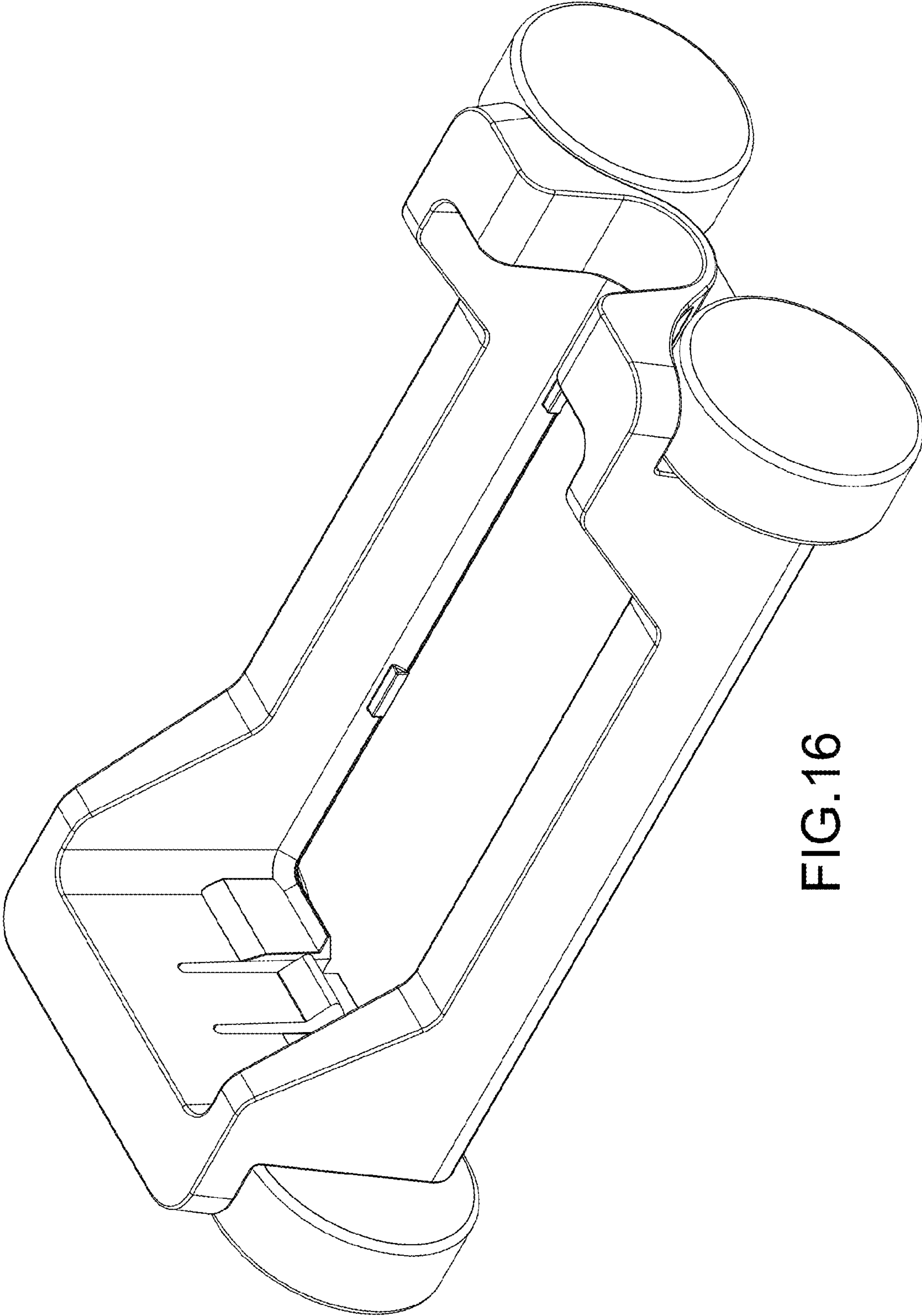


FIG.16