



US00D782352S

(12) **United States Design Patent**
Simonton et al.

(10) **Patent No.:** **US D782,352 S**
(45) **Date of Patent:** **** Mar. 28, 2017**

(54) **MARINE MOUNT**

(71) Applicant: **Garmin Switzerland GmbH,**
Schaffhausen (CH)

(72) Inventors: **Troy D. Simonton,** Paola, KS (US);
Yao Chia Chang, New Taipei (TW)

(73) Assignee: **Garmin Switzerland GmbH** (CH)

(**) Term: **15 Years**

(21) Appl. No.: **29/544,375**

(22) Filed: **Nov. 3, 2015**

(51) **LOC (10) Cl.** **10-04**

(52) **U.S. Cl.**
USPC **D10/74; D8/363**

(58) **Field of Classification Search**
USPC D8/349-381; D10/74
CPC A47B 2097/005; A47B 2097/006; B60R
11/00; B60R 11/0211; B60R 11/0229;
B60R 11/0235; B60R 11/0252; B60R
11/0258; B60R 2011/0003; B60R
2011/0005; B60R 2011/0007; B60R
2011/0056; B60R 2011/0057; B60R
2011/0063

See application file for complete search history.

(56) **References Cited**

U.S. PATENT DOCUMENTS

D633,780 S * 3/2011 Barrese D8/363

* cited by examiner

Primary Examiner — Antoine D Davis

(74) *Attorney, Agent, or Firm* — Samuel M. Korte; Max
M. Ali

(57) **CLAIM**

The ornamental design for a marine mount, as shown and
described.

DESCRIPTION

FIG. 1 is a front perspective view of a marine mount
according to the present invention;
FIG. 2 is a rear perspective view of the marine mount;
FIG. 3 is a top view of the marine mount;
FIG. 4 is a front view of the marine mount;
FIG. 5 is a bottom view of the marine mount;
FIG. 6 is a rear view of the marine mount;
FIG. 7 is a left side view of the marine mount; and,
FIG. 8 is a right side view of the marine mount.
The structural features depicted by broken lines have been
shown for the purpose of illustrating portions of the marine
mount that form no part of the claimed design.

1 Claim, 4 Drawing Sheets

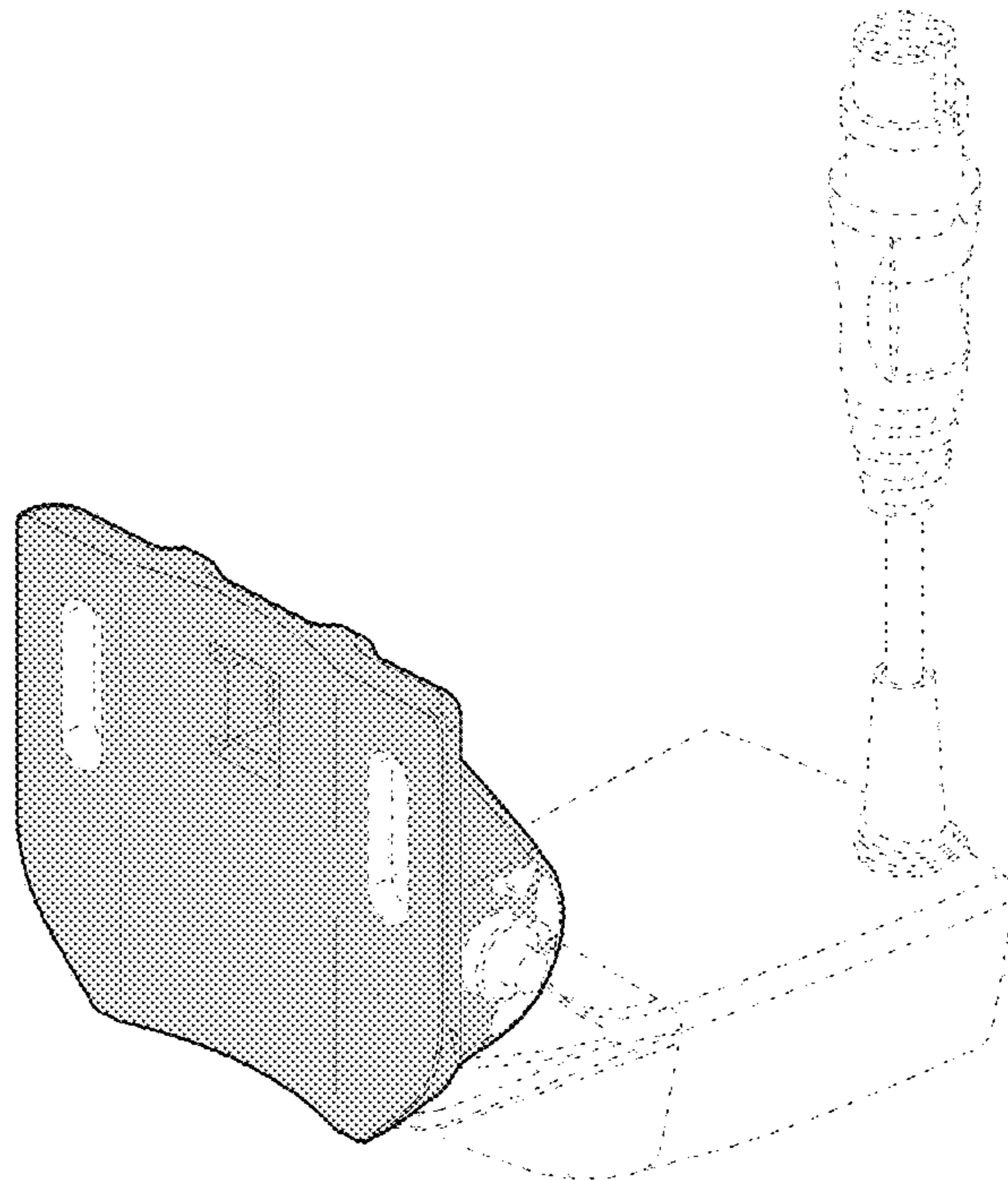
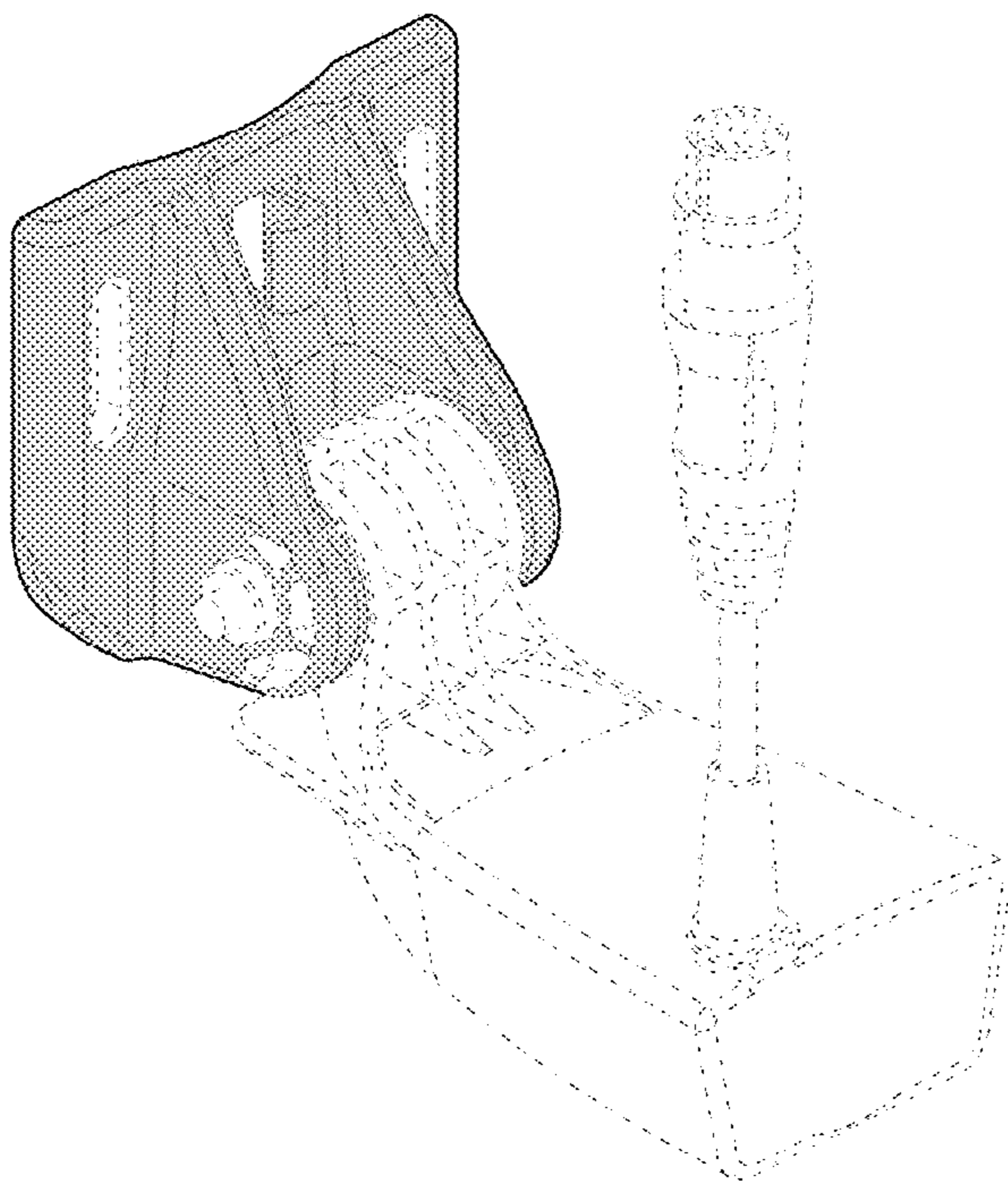


Fig. 1

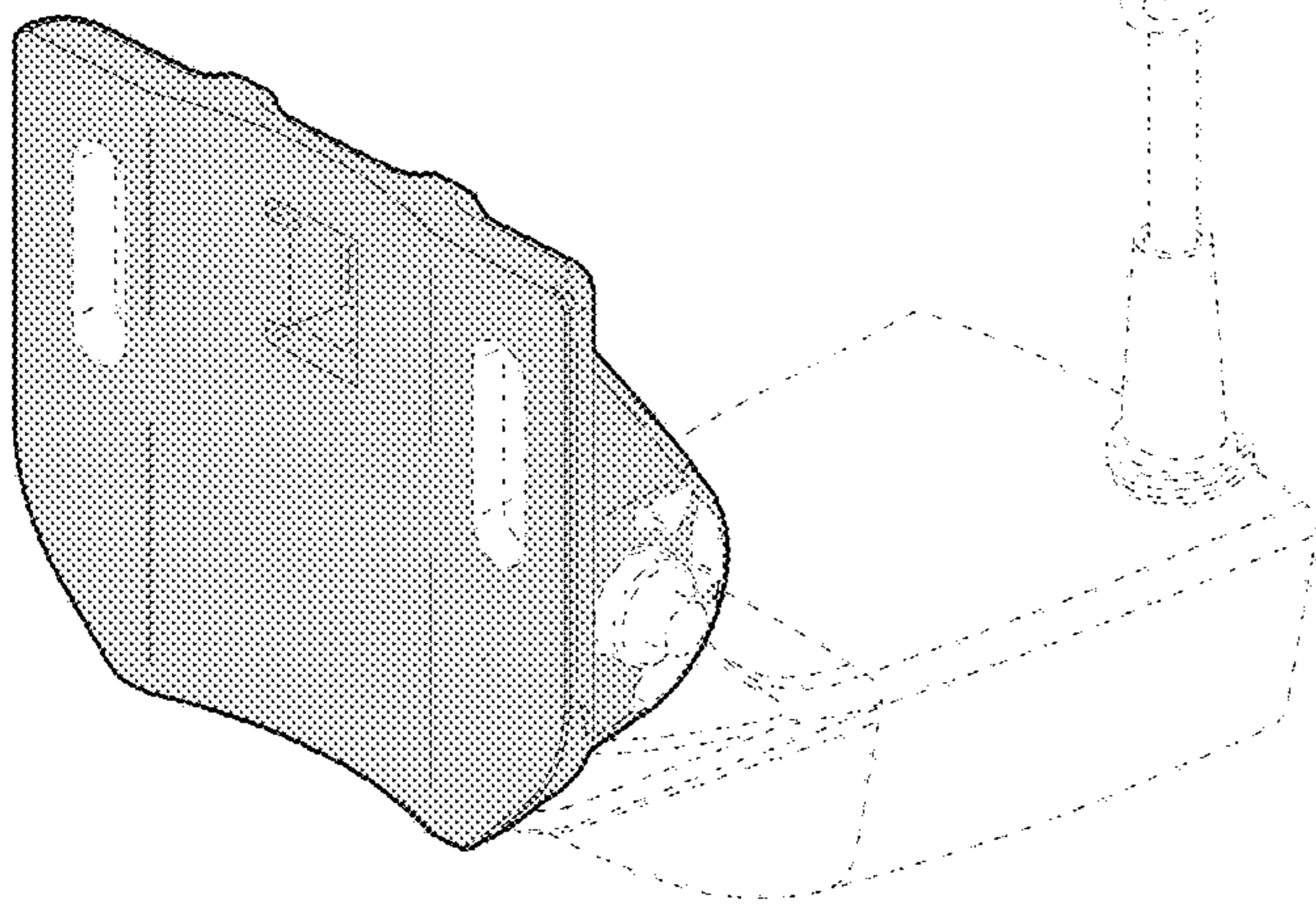
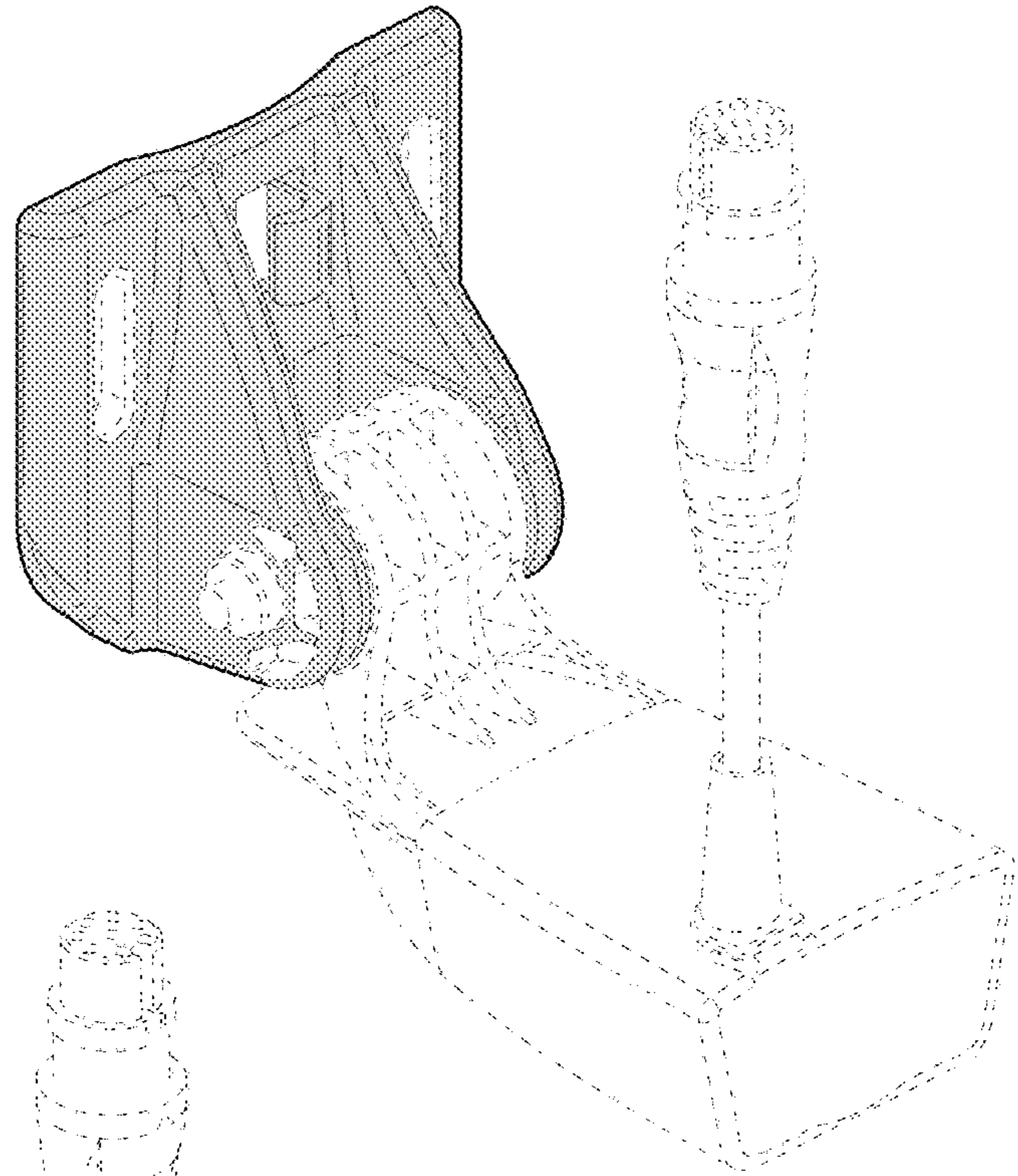


Fig. 2

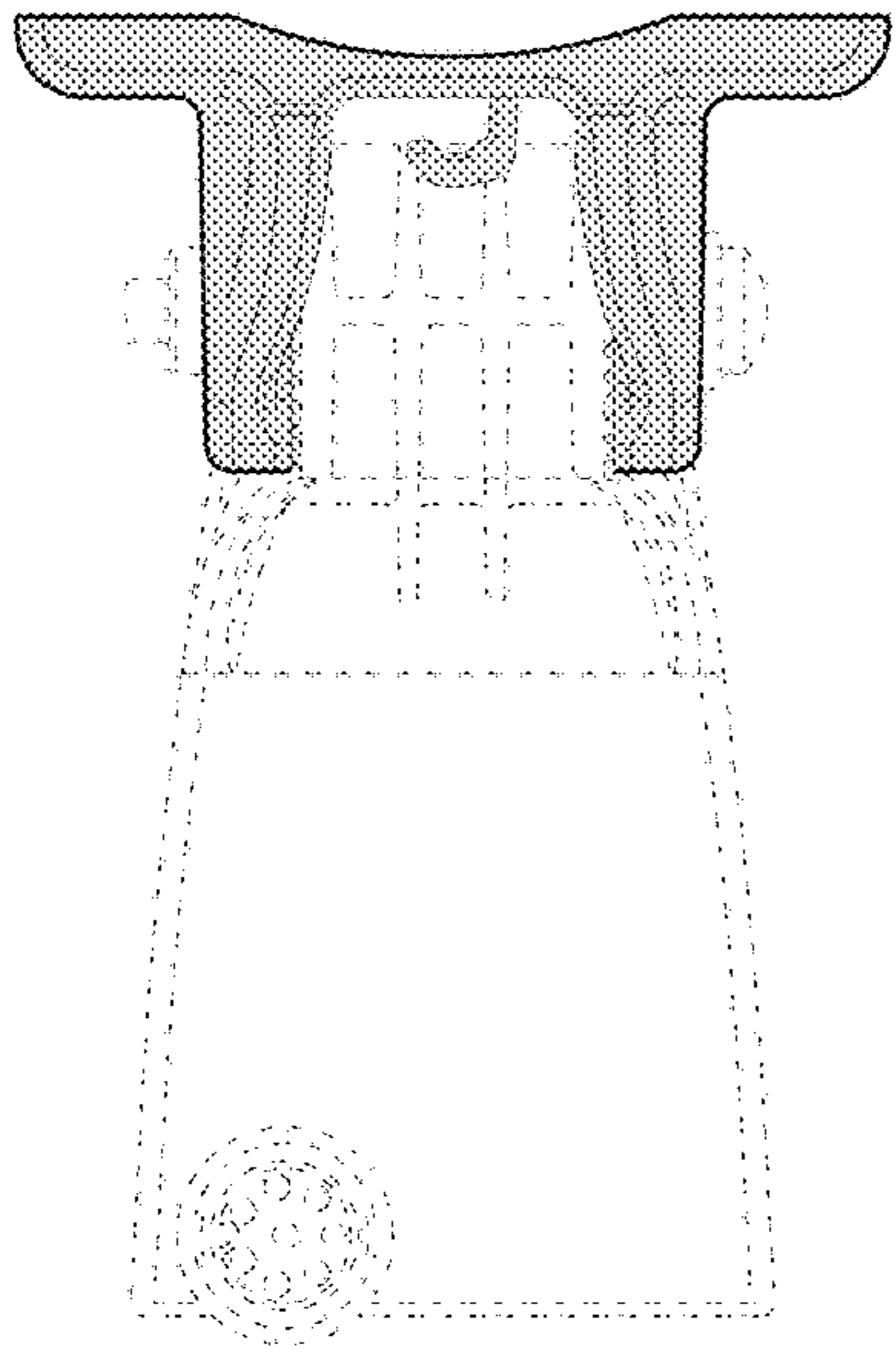


Fig. 3

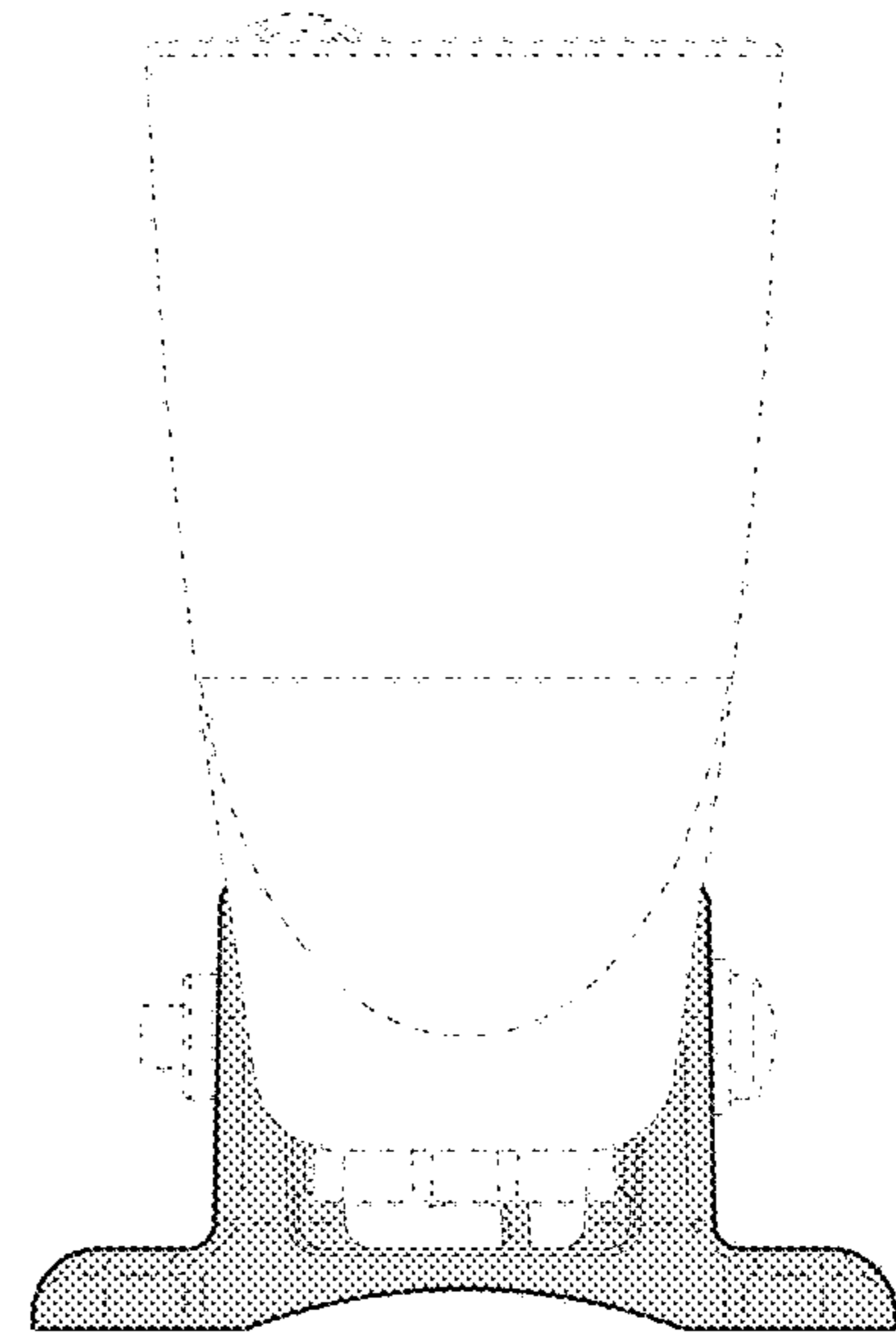


Fig. 5

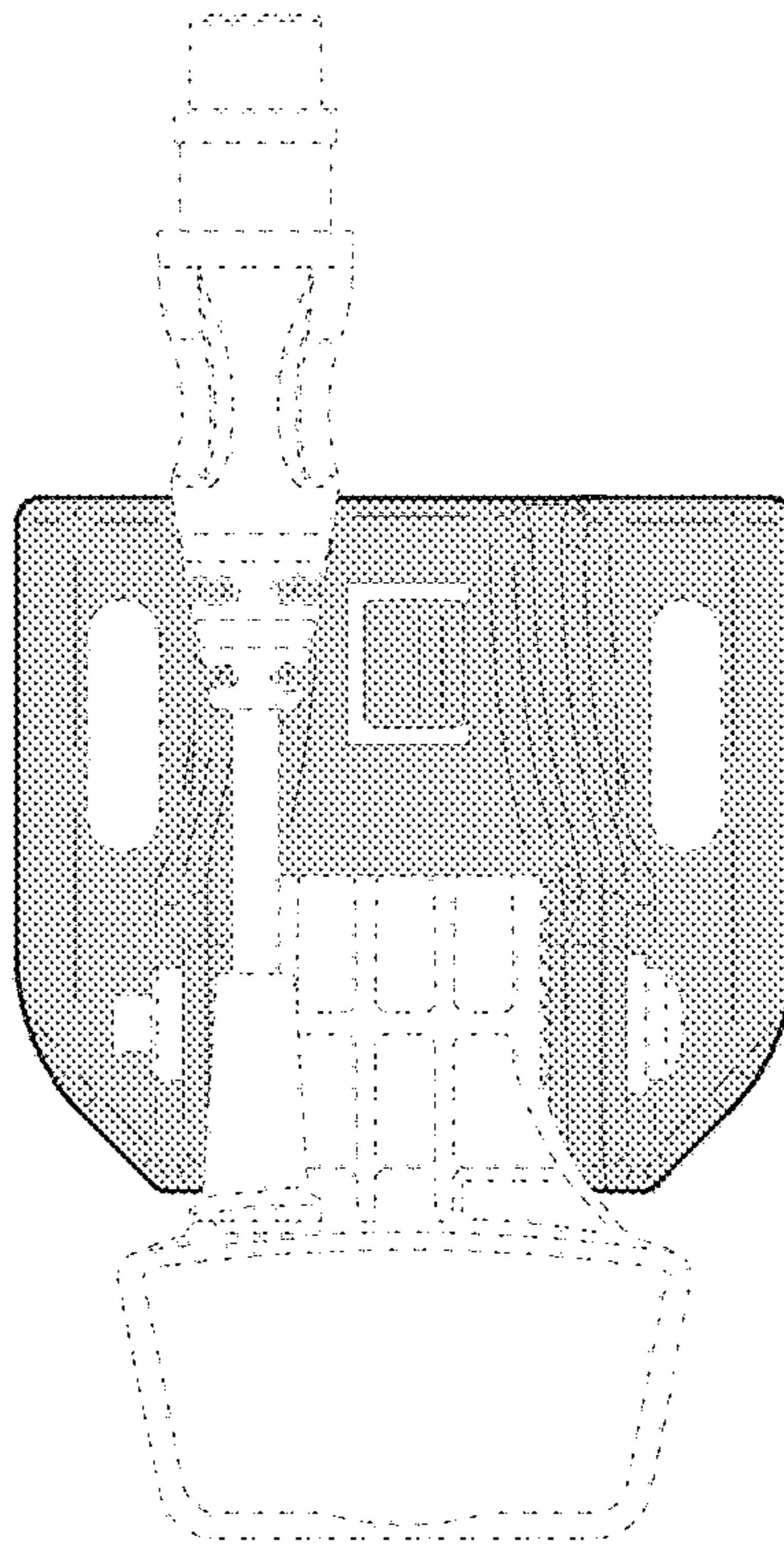


Fig. 4

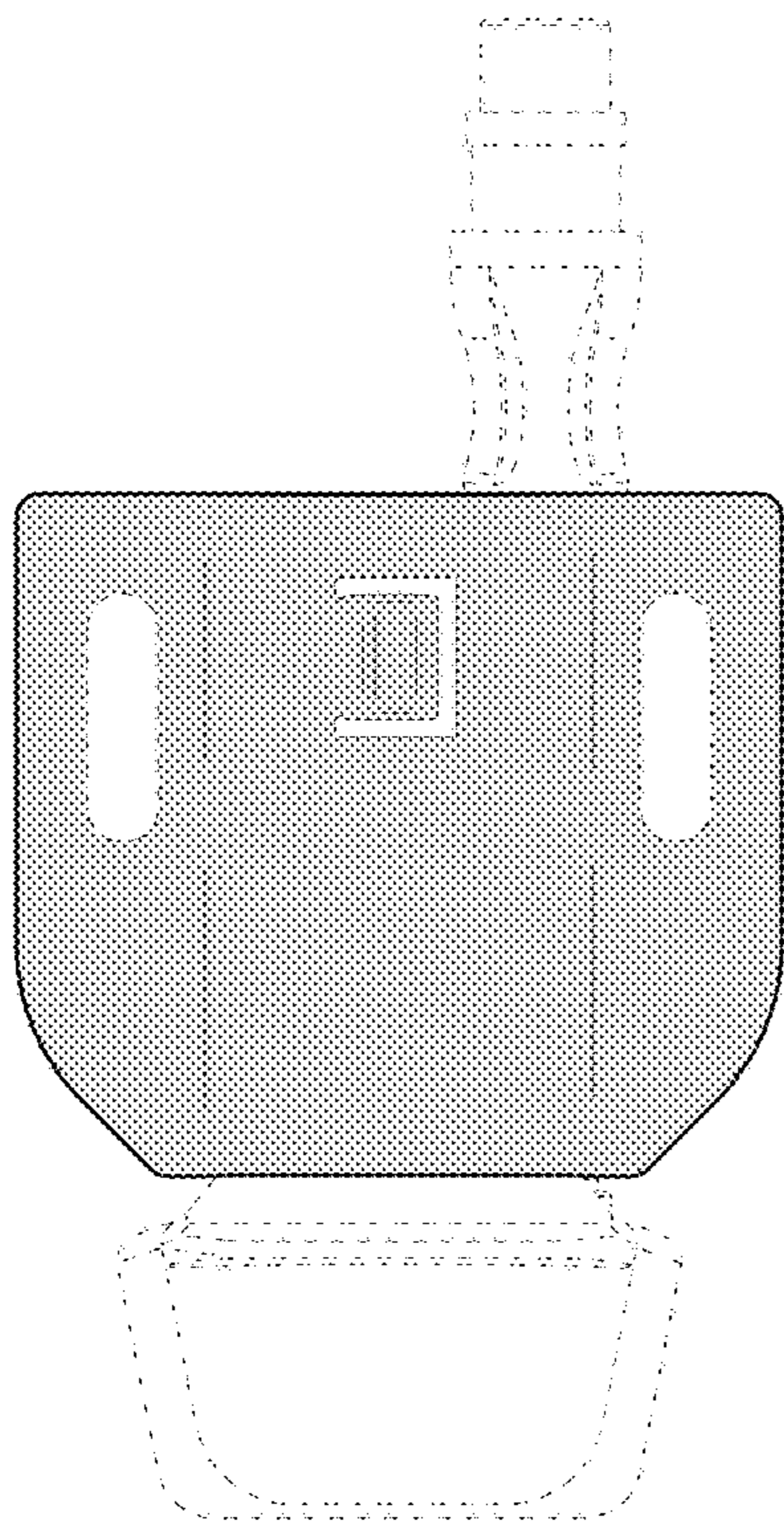


Fig. 6

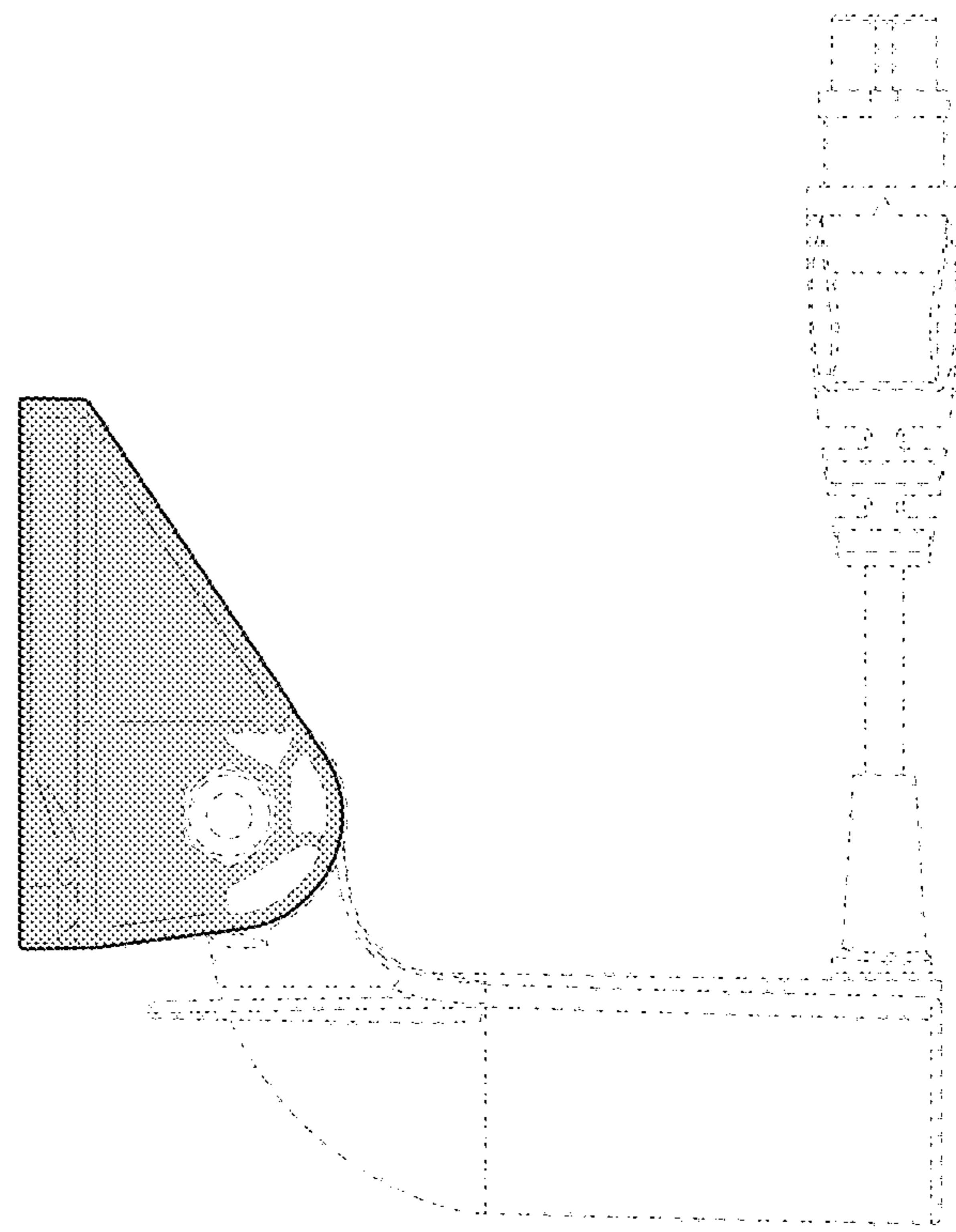


Fig. 7

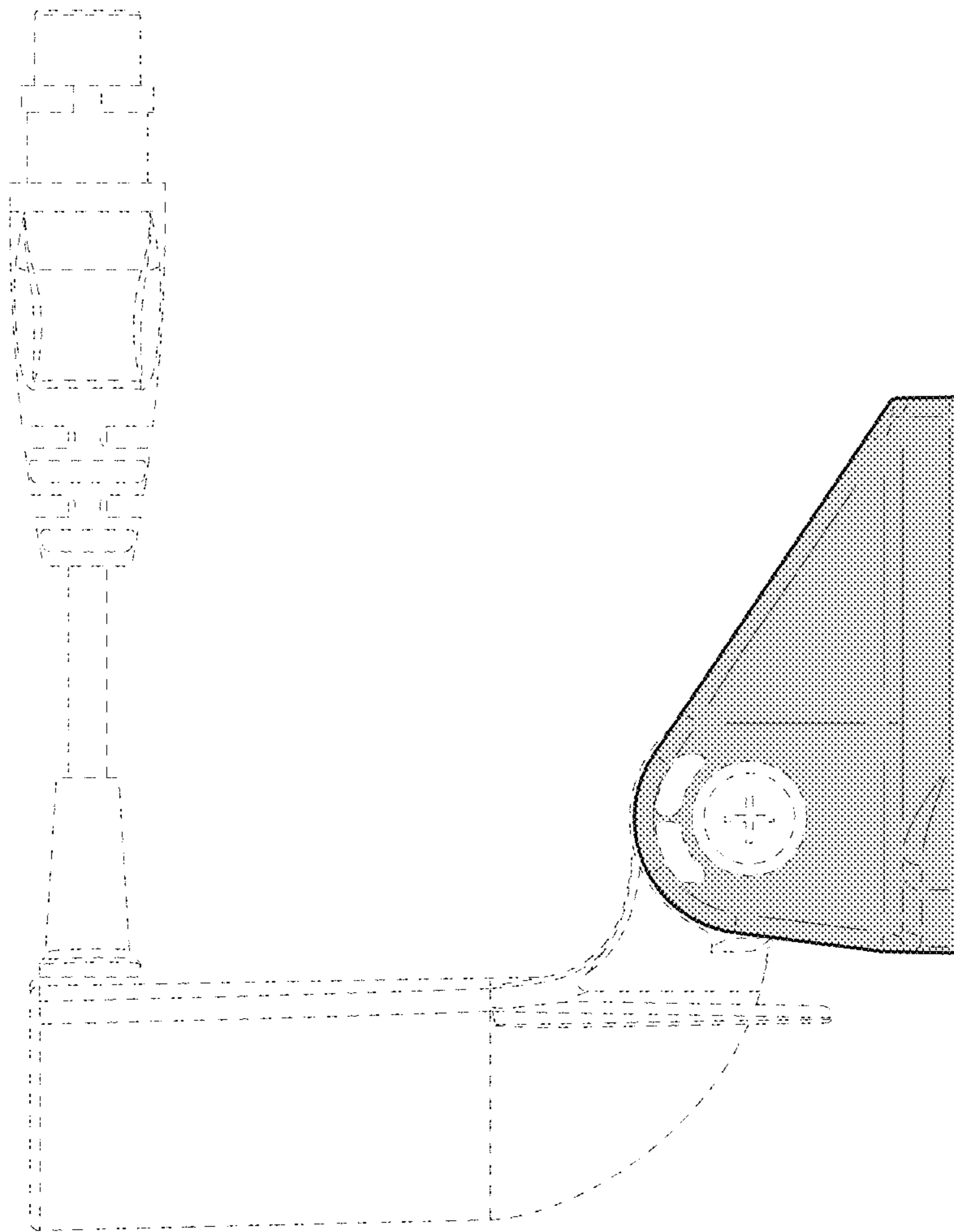


Fig. 8