

US00D782349S

(12) **United States Design Patent**
Konotopskyi et al.

(10) **Patent No.:** **US D782,349 S**
(45) **Date of Patent:** **** Mar. 28, 2017**

(54) **MOTION SENSOR**

(71) Applicant: **AJAX SYSTEMS INC.**, Wilmington, DE (US)

(72) Inventors: **Aleksandr Konotopskyi**, Kiev (UA);
Ishat Garipov, Haapsalu (EE)

(73) Assignee: **Ajax Systems, Inc.**, Wilmington, DE (US)

(**) Term: **15 Years**

(21) Appl. No.: **29/553,126**

(22) Filed: **Jan. 28, 2016**

(51) **LOC (10) Cl.** **10-04**

(52) **U.S. Cl.**
USPC **D10/70; D10/106.6**

(58) **Field of Classification Search**
USPC D10/65, 70, 106.6, 106.7, 106.8
CPC .. G01P 13/00; G01P 13/0006; G01P 13/0013;
G01P 13/002; G01P 13/0026; G01P 13/0033;
G01P 13/004; G01P 13/0046; G01P 13/0053;
G01P 13/006; G01P 13/0066; G01P 13/0073;
G01P 13/008; G01P 13/0086; G01P 13/0093; G08B 21/00

See application file for complete search history.

(56) **References Cited**

U.S. PATENT DOCUMENTS

D275,658 S *	9/1984	Kahl, Jr.	D10/106.6
D307,245 S *	4/1990	Biersdorff	D10/106.6
D425,534 S *	5/2000	Mutoh	D10/106.1
D427,928 S *	7/2000	Hiller	D10/106.7
D428,352 S *	7/2000	Hiller	D10/106.7
D438,133 S *	2/2001	Leen	D10/106.7
D628,103 S *	11/2010	Schmalz	D10/106.6
D689,385 S *	9/2013	Haws	D10/106.8

* cited by examiner

Primary Examiner — Antoine D Davis

(74) *Attorney, Agent, or Firm* — Bardmesser Law Group

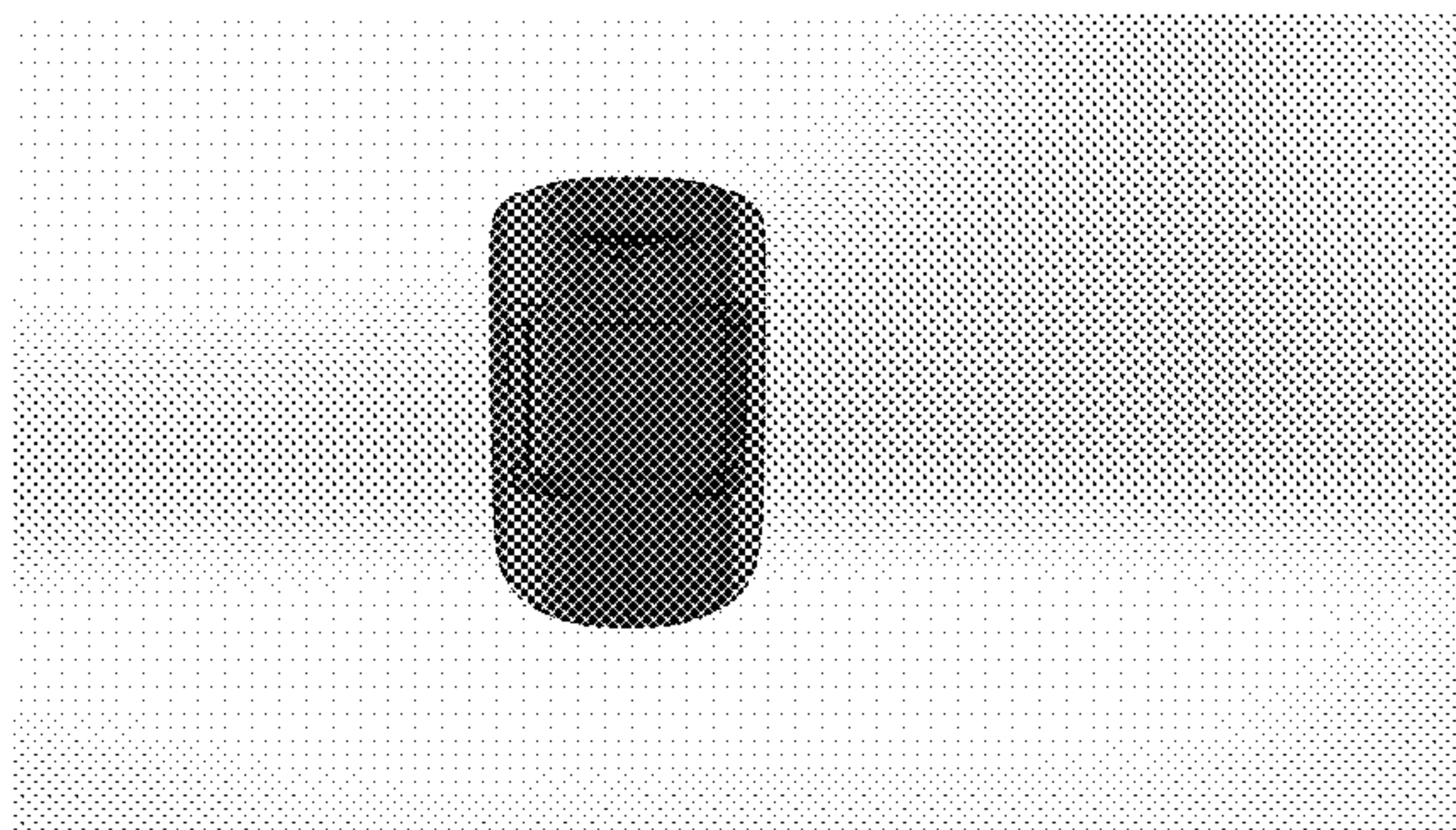
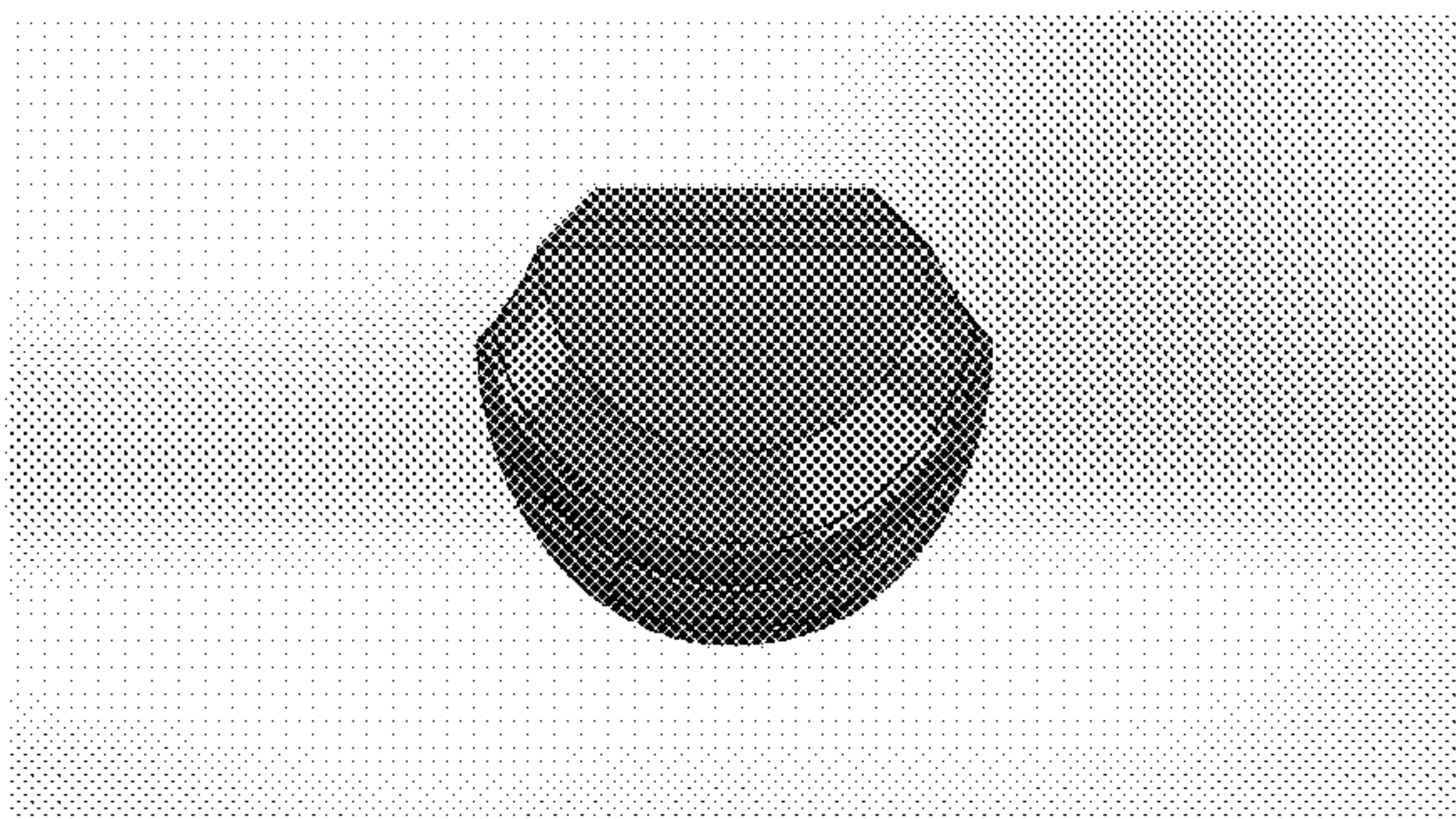
(57) **CLAIM**

The ornamental design for a motion sensor, as shown and described.

DESCRIPTION

FIG. 1 shows a bottom view of the motion sensor.
FIG. 2 shows a front view of the motion sensor.
FIGS. 3-9 show various perspective views of the motion sensor; and,
FIG. 10 shows a top view of the motion sensor.

1 Claim, 5 Drawing Sheets



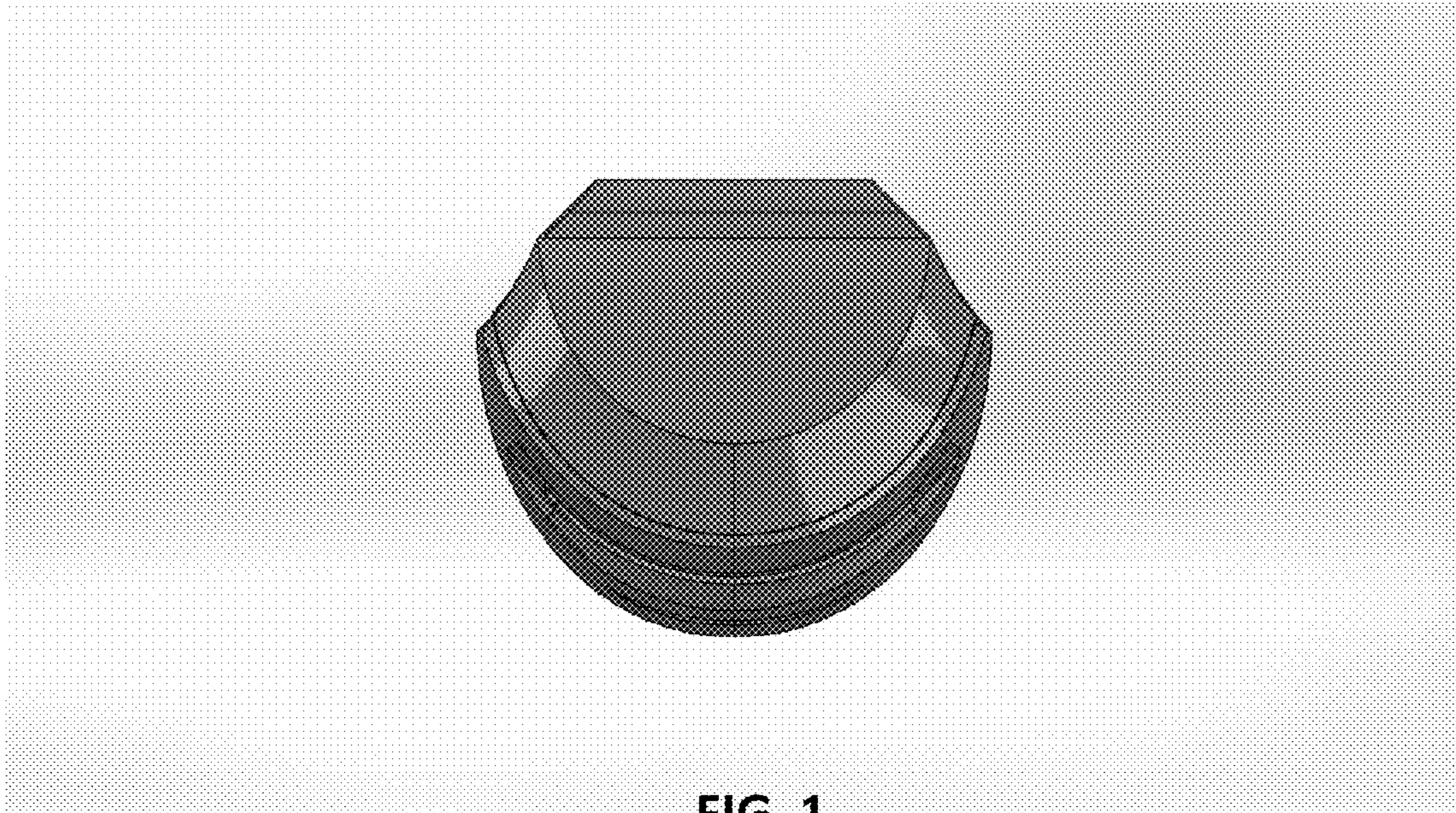


FIG. 1

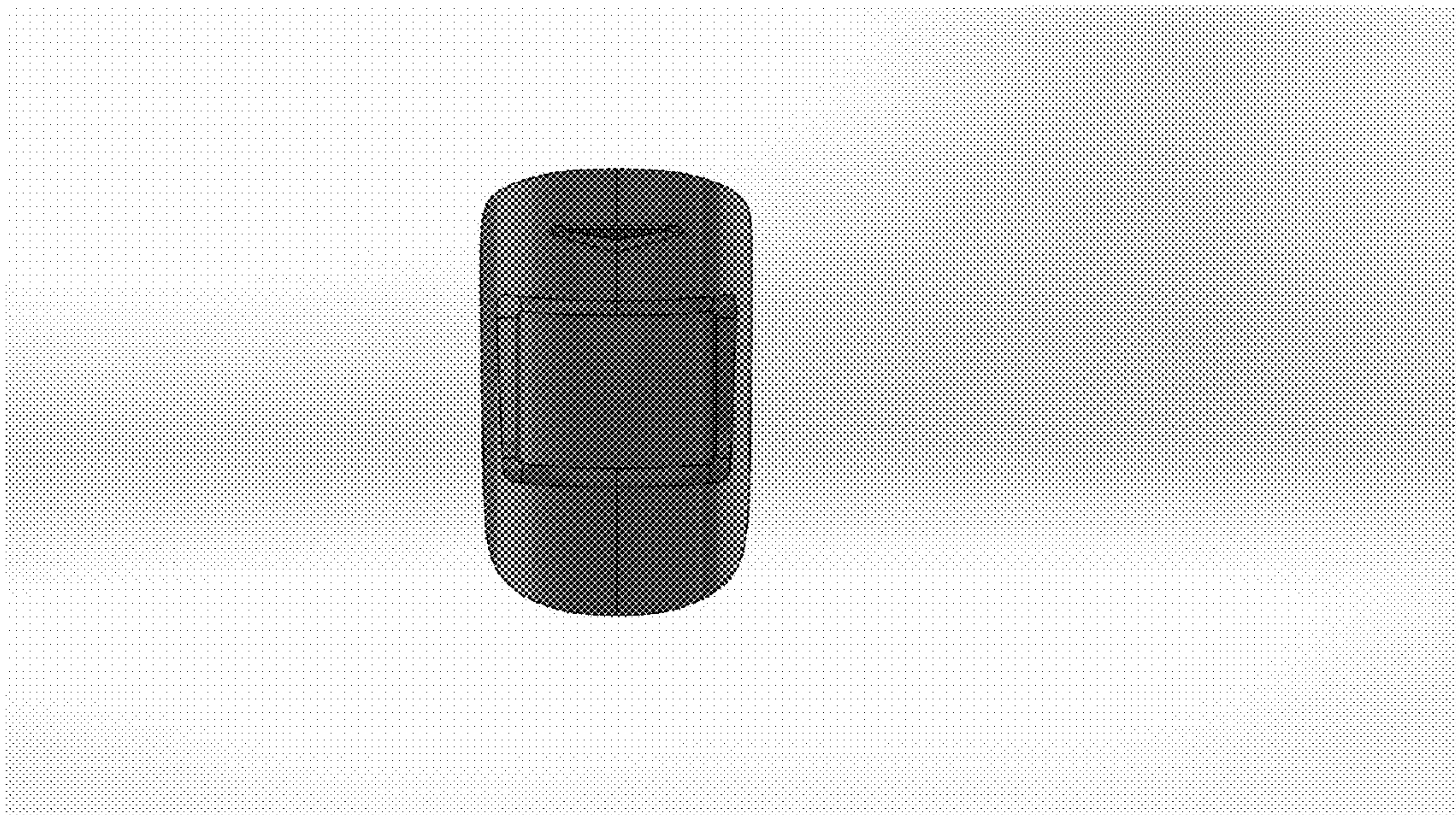


FIG. 2

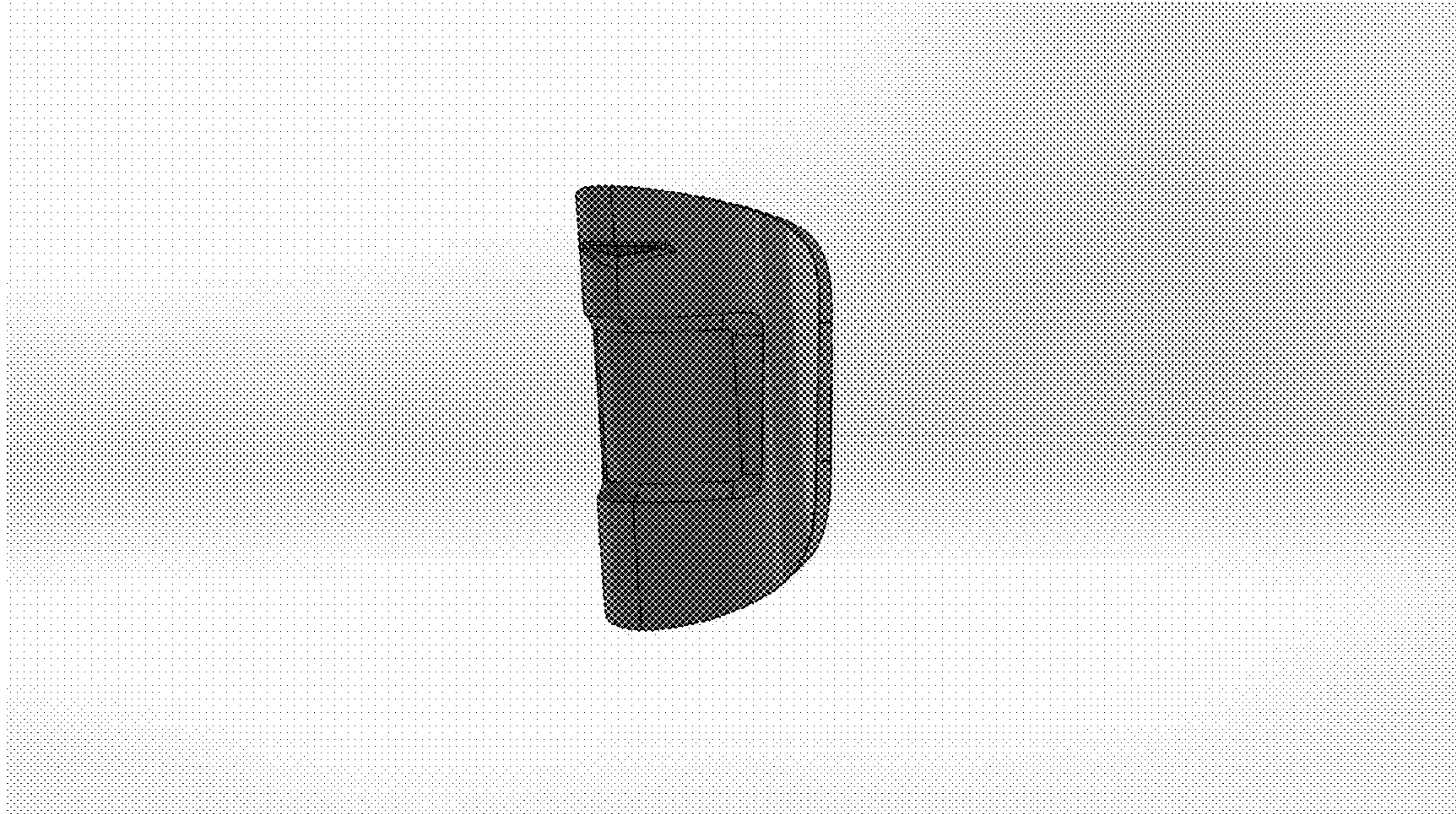


FIG. 3

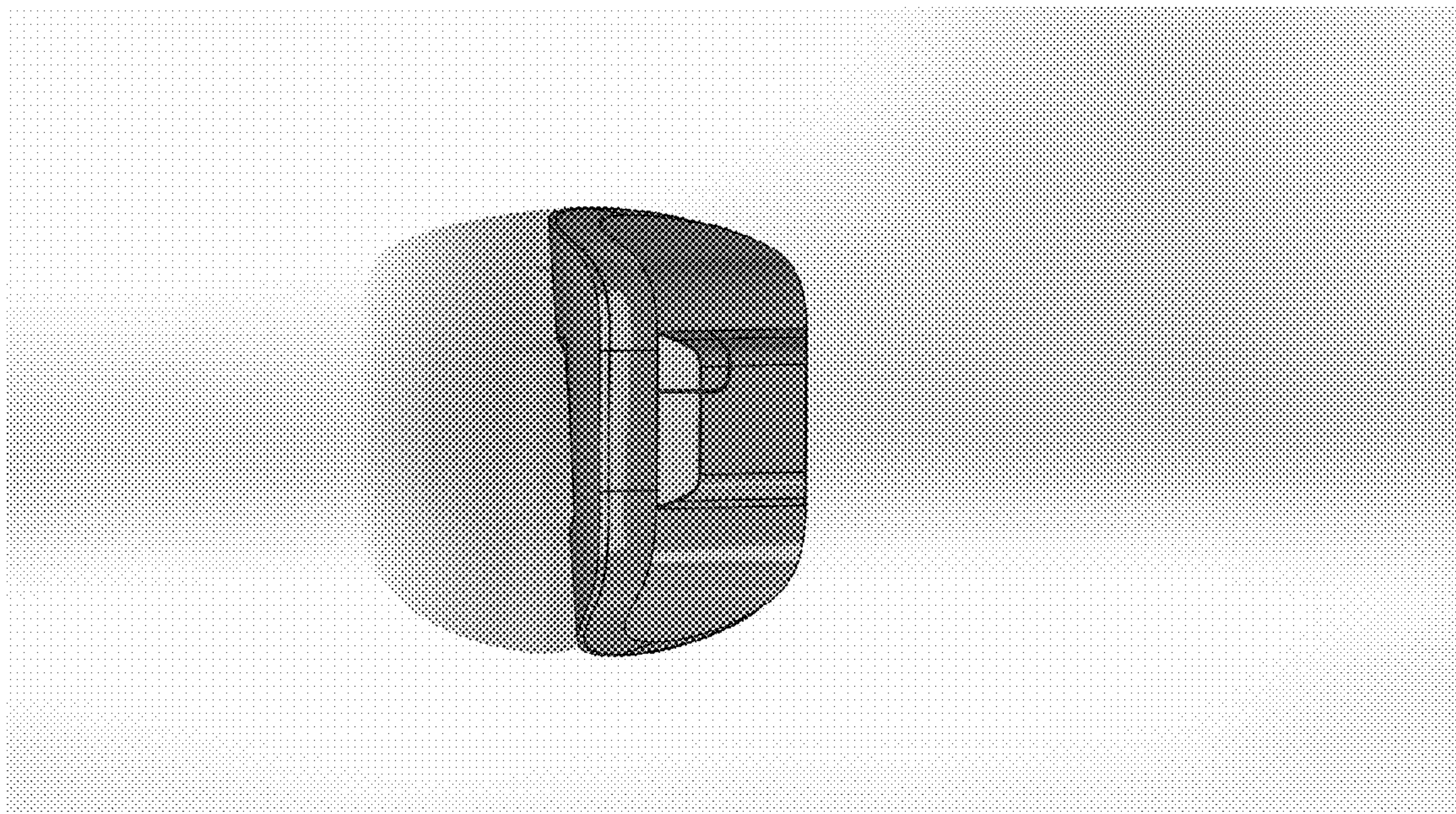


FIG. 4

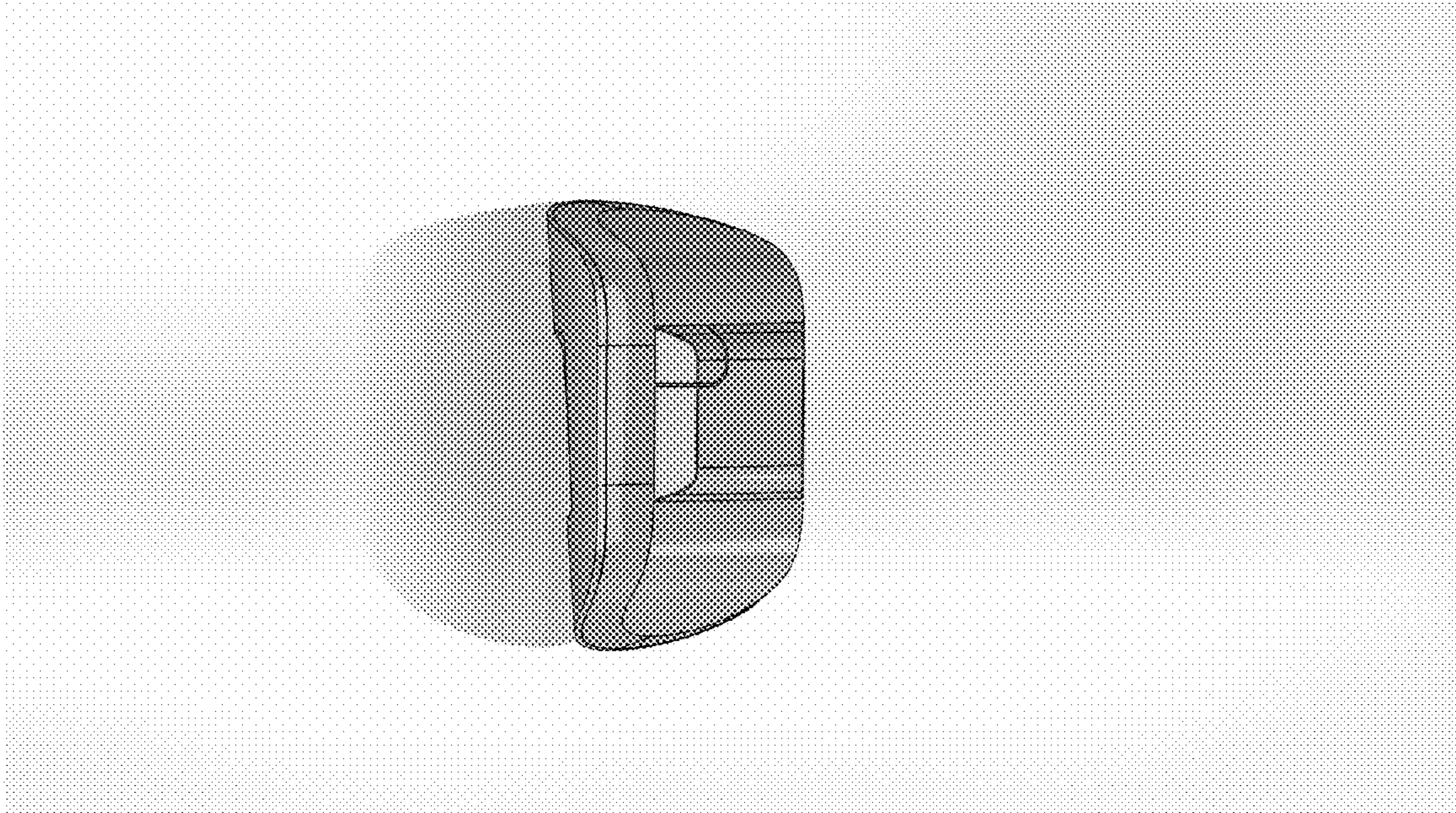


FIG. 5

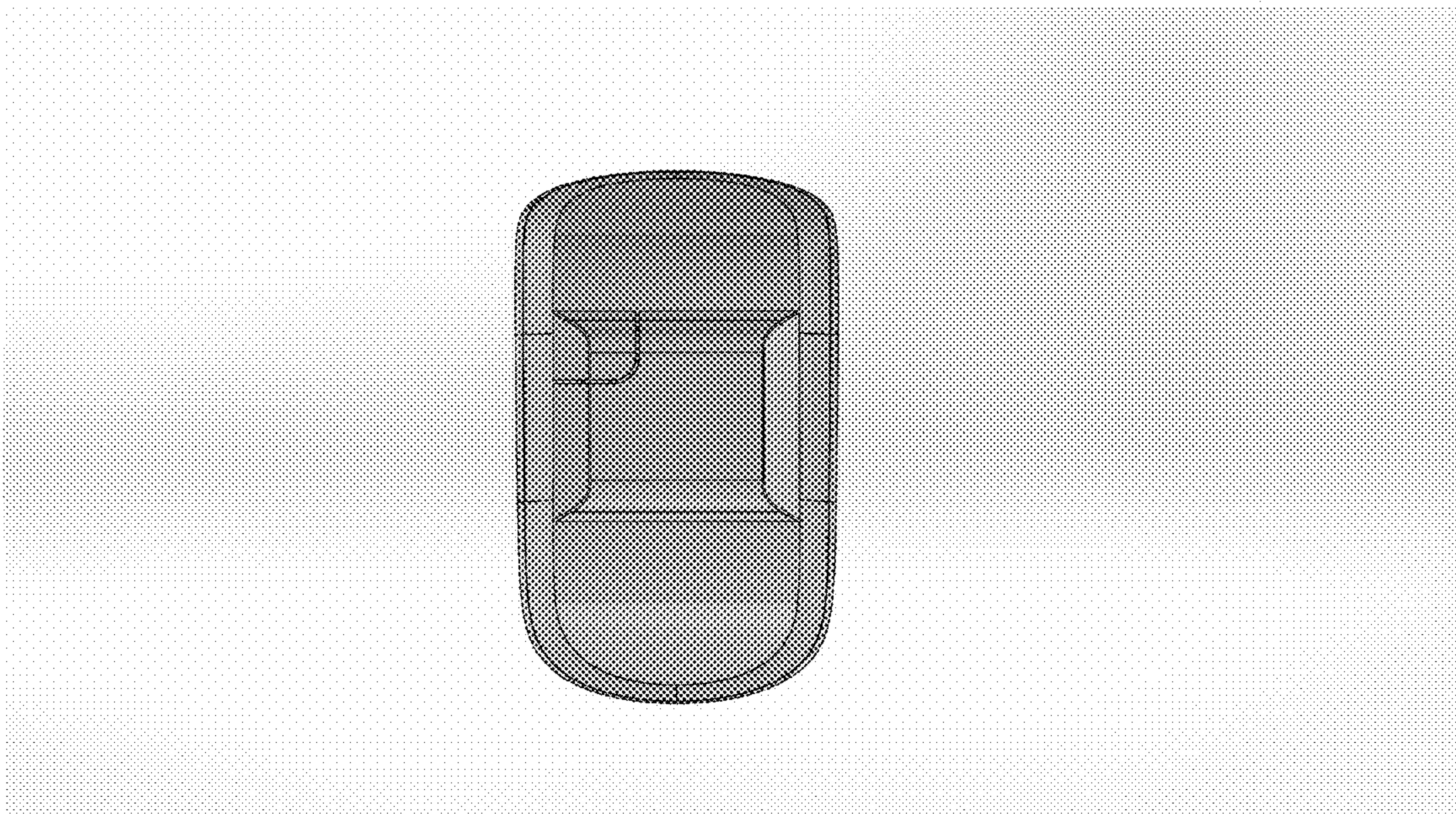


FIG. 6

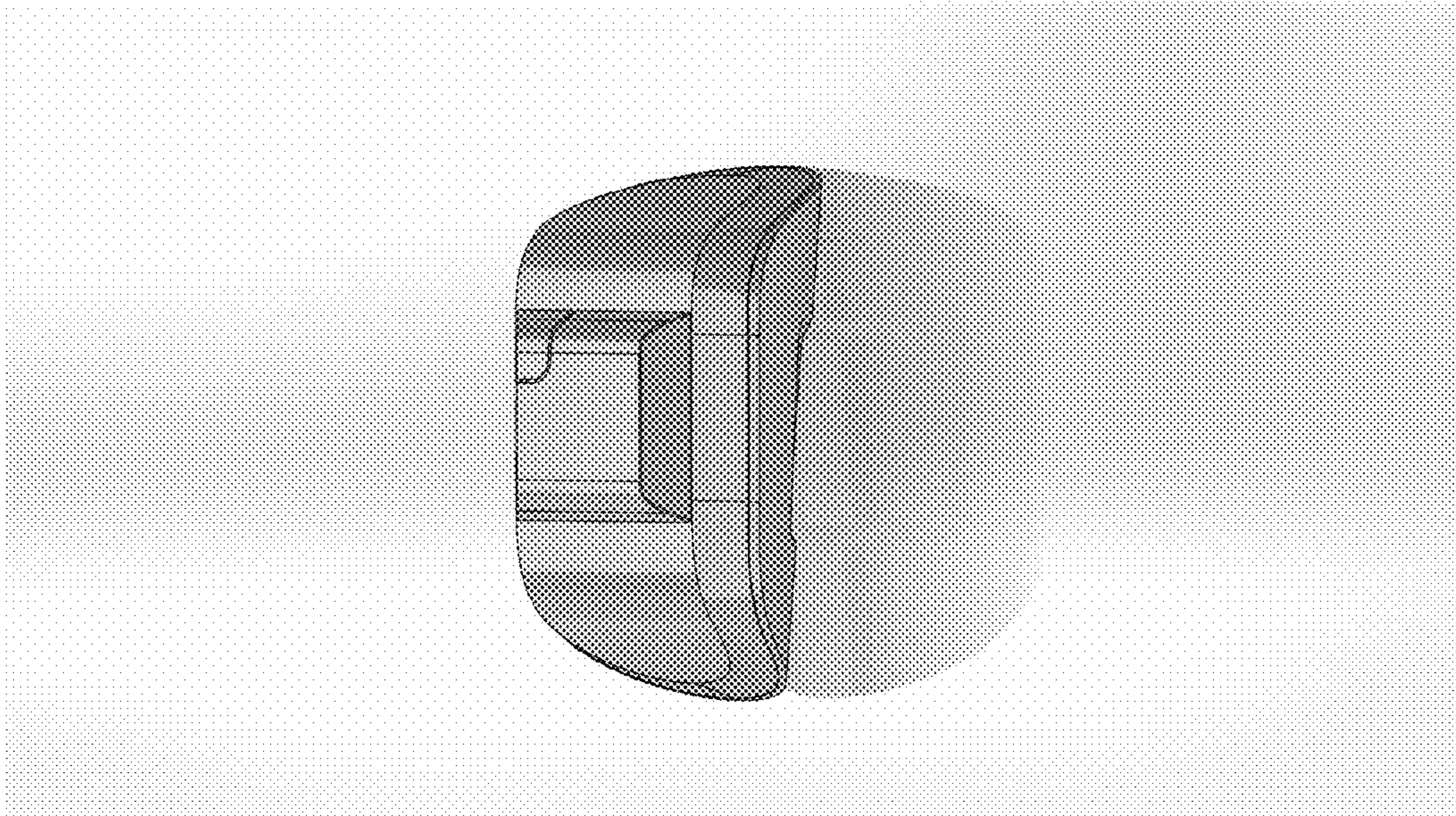


FIG. 7

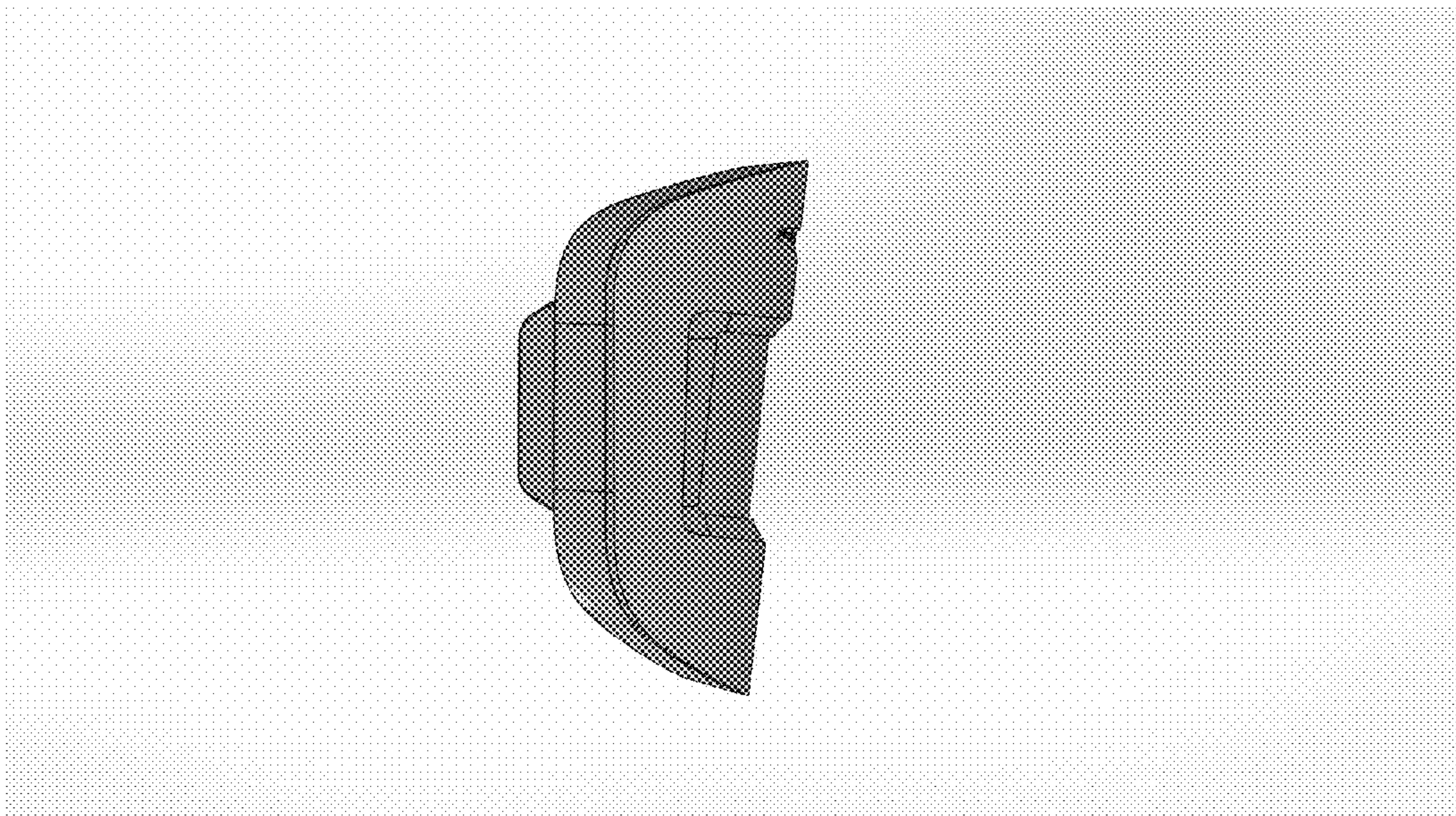


FIG. 8

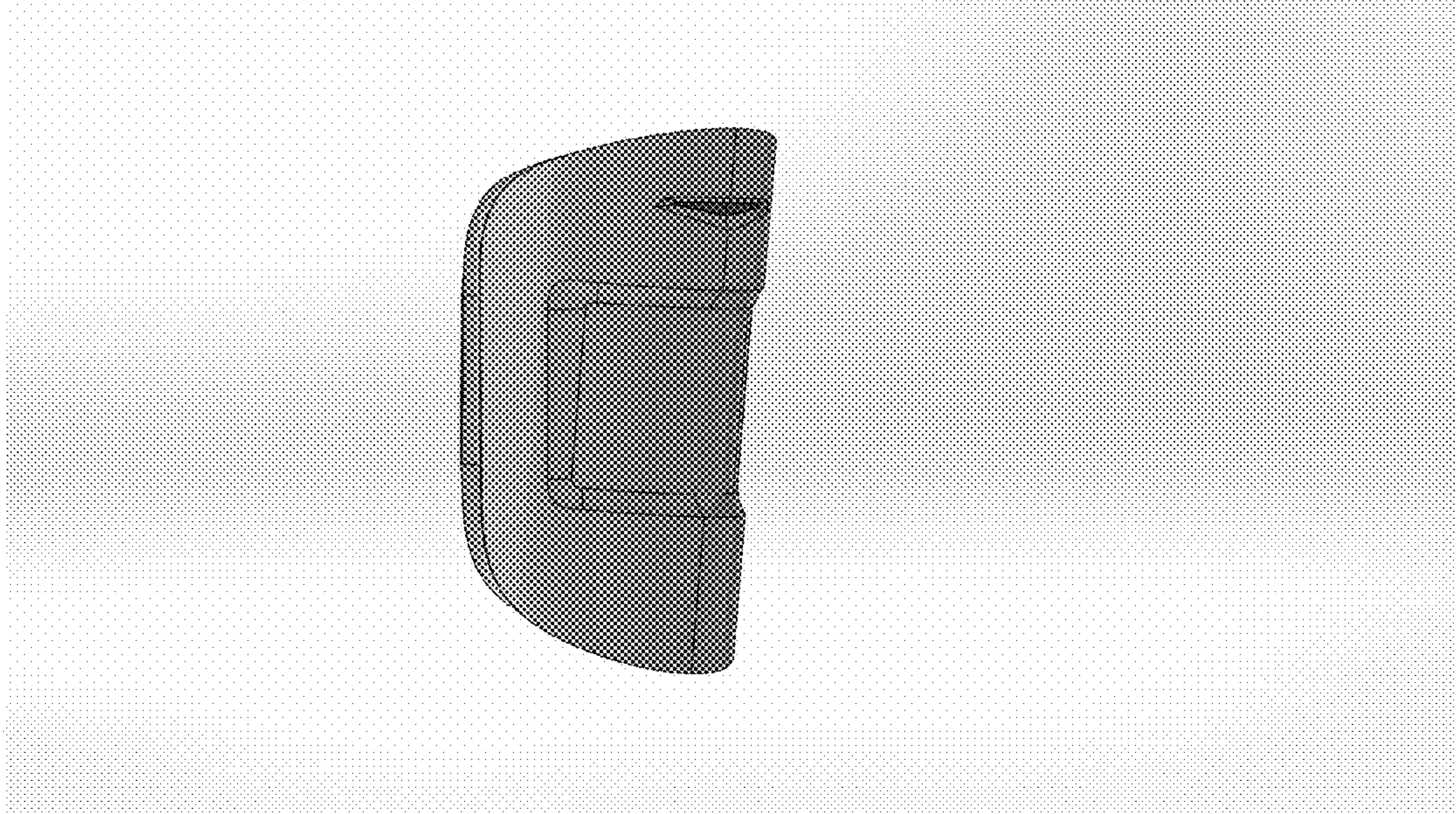


FIG. 9

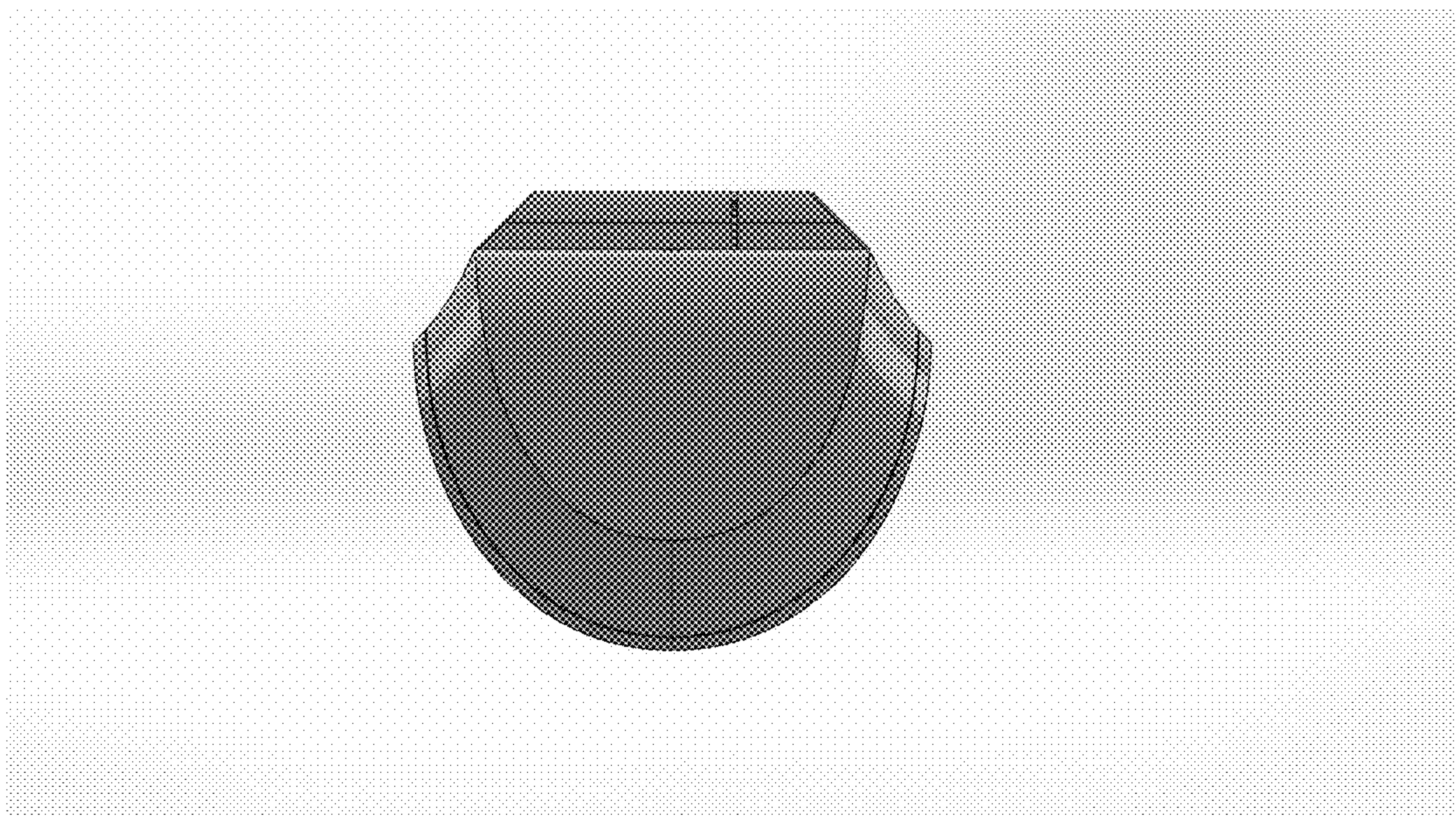


FIG. 10