



US00D782348S

(12) **United States Design Patent**
Emge et al.

(10) **Patent No.:** **US D782,348 S**

(45) **Date of Patent:** **** Mar. 28, 2017**

(54) **MARINE DEVICE**

(71) Applicant: **Garmin Switzerland GmbH**,
Schaffhausen (CH)

(72) Inventors: **Mark B. Emge**, Olathe, KS (US);
Russell F. Mansfield, III, Shawnee, KS
(US); **Gary J. Domke**, Shawnee, KS
(US); **Ray D. Swaney**, Prairie Village,
KS (US)

(73) Assignee: **Garmin Switzerland GmbH** (CH)

(**) Term: **15 Years**

(21) Appl. No.: **29/544,374**

(22) Filed: **Nov. 3, 2015**

(51) **LOC (10) Cl.** **10-04**

(52) **U.S. Cl.**
USPC **D10/70; D10/65**

(58) **Field of Classification Search**
USPC D10/65, 70
CPC A01K 97/00; B63B 49/00; B63B 45/08;
G08B 1/08; G01C 21/20; G01C 21/203;
G01C 21/24; G01C 21/265; G01C 21/28;
G01C 21/30; G01C 21/32; G09B 29/007;
G09B 29/008; G05D 1/0206; G01S
15/025; G01S 15/88; G01S 15/96
See application file for complete search history.

(56) **References Cited**

U.S. PATENT DOCUMENTS

D468,652 S * 1/2003 Steiner D10/65
7,230,882 B2 * 6/2007 Swisher F16M 11/24
367/173

D659,562 S * 5/2012 Groener D10/65
D730,213 S * 5/2015 Emge D10/65
9,198,408 B2 * 12/2015 Imasaka A01K 97/00

OTHER PUBLICATIONS

Printout from <http://www.lowrance.com/en-US/Products/Fishfinder-Chartplotter/Elite-4-HDI-en-us.aspx> published prior to Apr. 16, 2014.

Printout from <http://www.lowrance.com/en-US/Products/Fishfinder-Chartplotter/HDS7-en-us.aspx> published prior to Oct. 29, 2014.

(Continued)

Primary Examiner — Antoine D Davis

(74) *Attorney, Agent, or Firm* — Samuel M. Korte; Max M. Ali

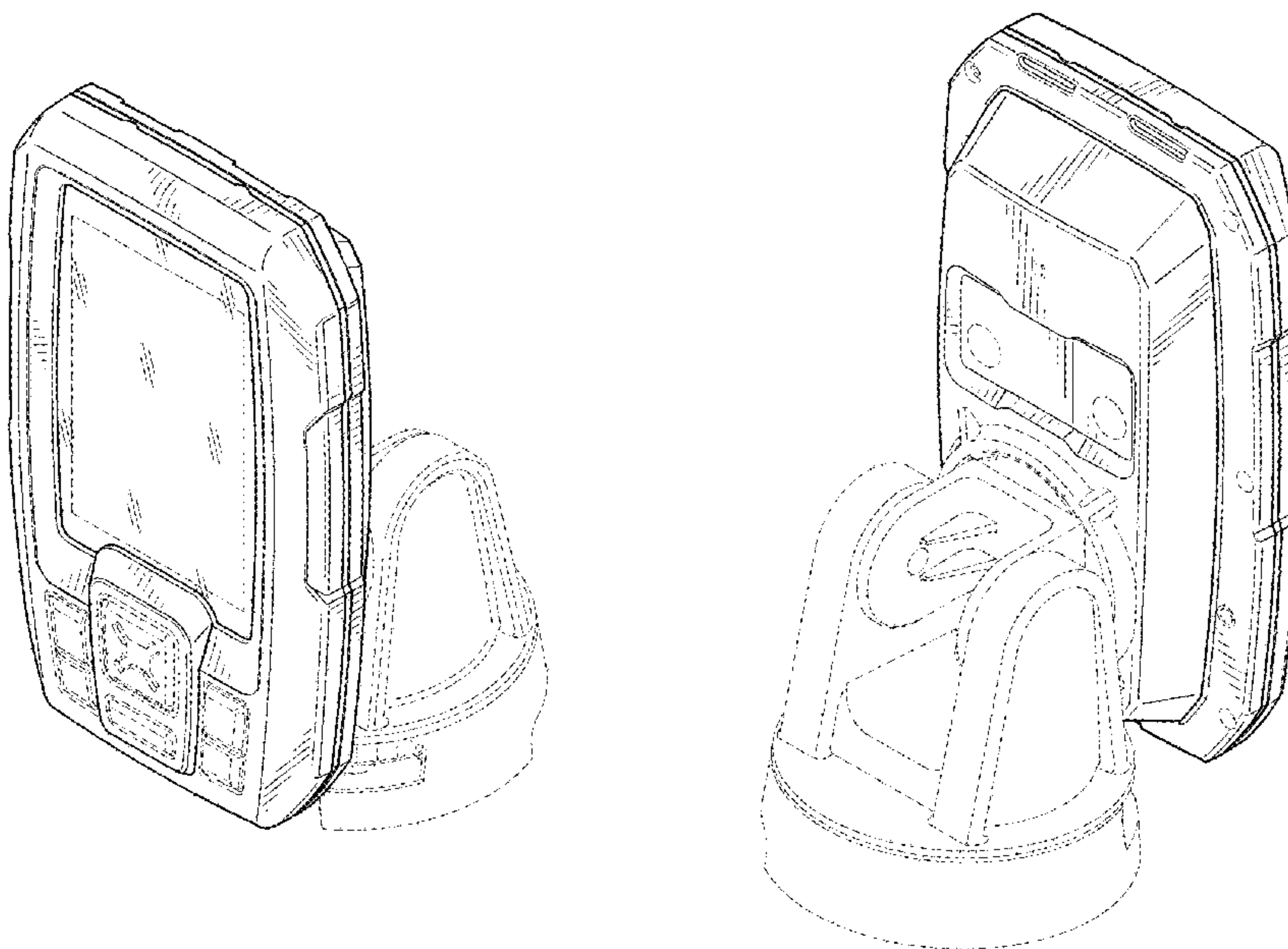
(57) **CLAIM**

The ornamental design for a marine device, as shown and described.

DESCRIPTION

FIG. 1 is a front perspective view of a marine device according to the present invention;
FIG. 2 is a rear perspective view of the marine device;
FIG. 3 is a front view of the marine device;
FIG. 4 is a rear view of the marine device;
FIG. 5 is a top view of the marine device;
FIG. 6 is a bottom view of the marine device;
FIG. 7 is a left side view of the marine device; and,
FIG. 8 is a right side view of the marine device.
The structural features depicted by broken lines have been shown for the purpose of illustrating portions of the marine device that form no part of the claimed design.

1 Claim, 4 Drawing Sheets



(56)

References Cited

OTHER PUBLICATIONS

Printout from <http://www.lowrance.com/en-US/Products/Fishfinder/Elite-3x-en-us.aspx> published prior to Apr. 7, 2016.

Printout from <http://www.lowrance.com/en-US/Products/Fishfinder-Chartplotter/Elite-5-CHIRP-en-us.aspx> published prior to Apr. 7, 2016.

Printout from <http://www.humminbird.com/Products/HELIX-5-SI-GPS/> published prior to Apr. 7, 2016.

Printout from <http://www.lowrance.com/en-US/Products/Fishfinder-Chartplotter/Elite-7-CHIRP-en-us.aspx> published prior to Apr. 7, 2016.

Printout from <http://www.humminbird.com/Products/HELIX-7-SI-GPS/> published prior to Apr. 7, 2016.

* cited by examiner

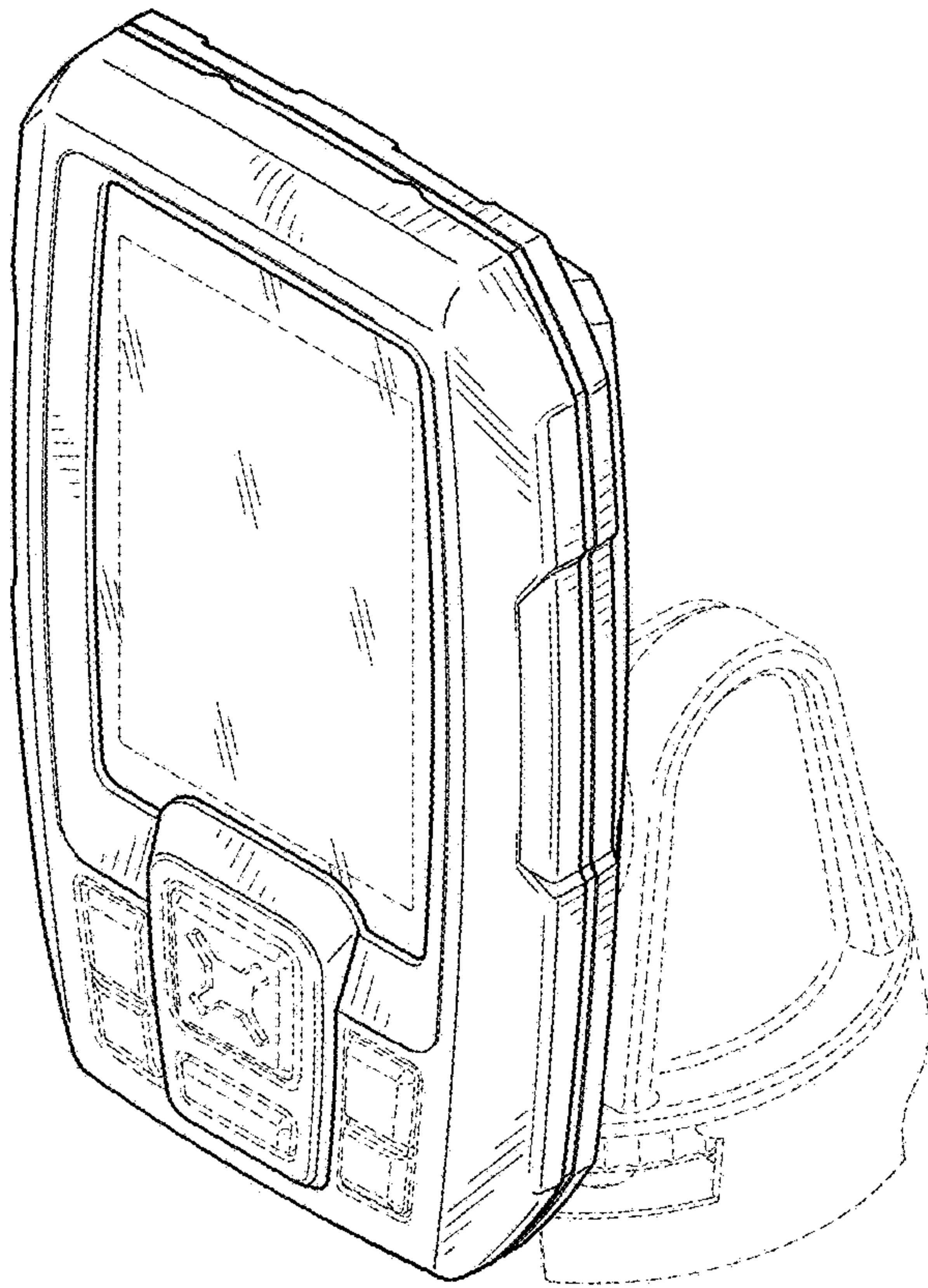


Fig. 1

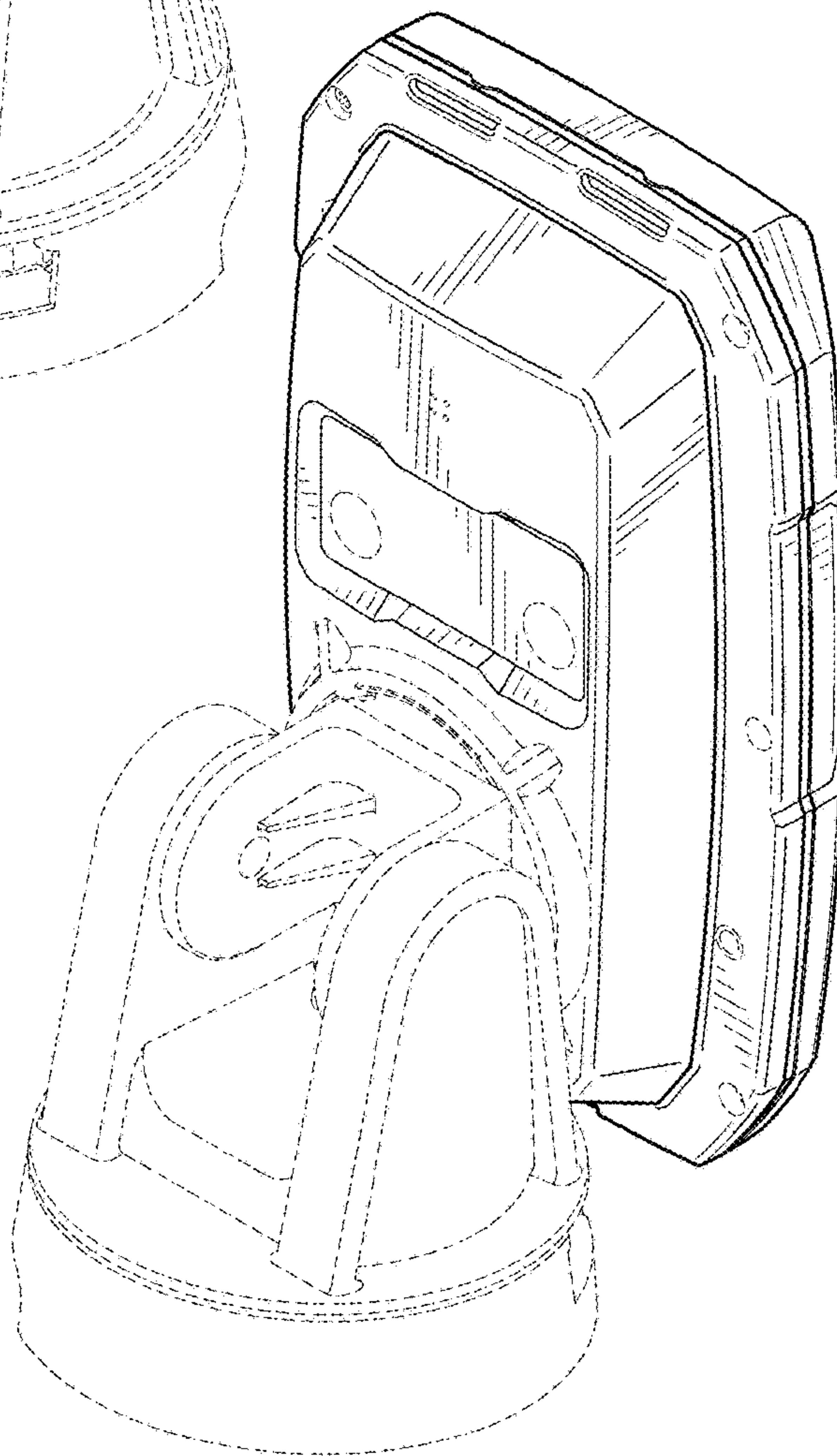


Fig. 2

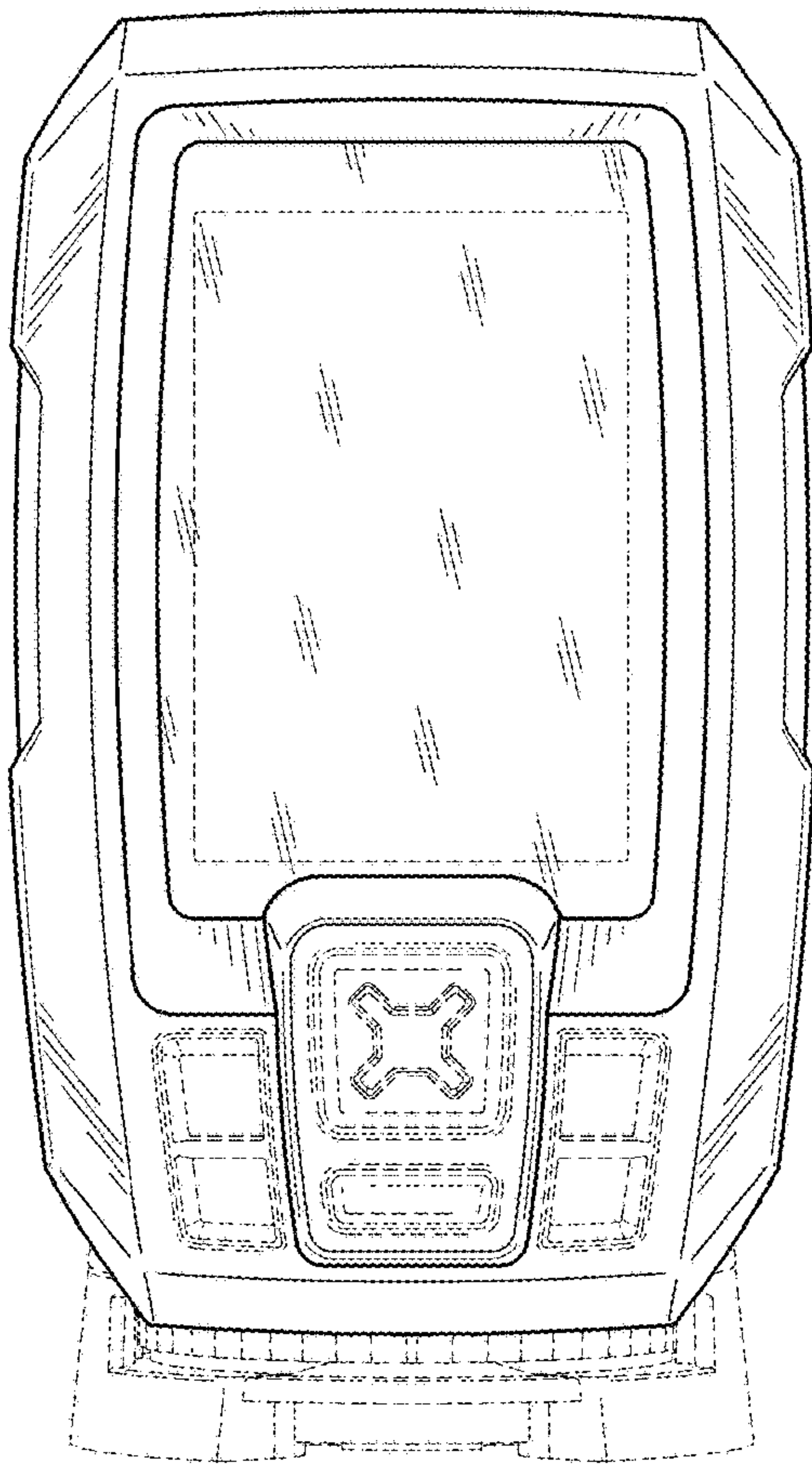


Fig. 3

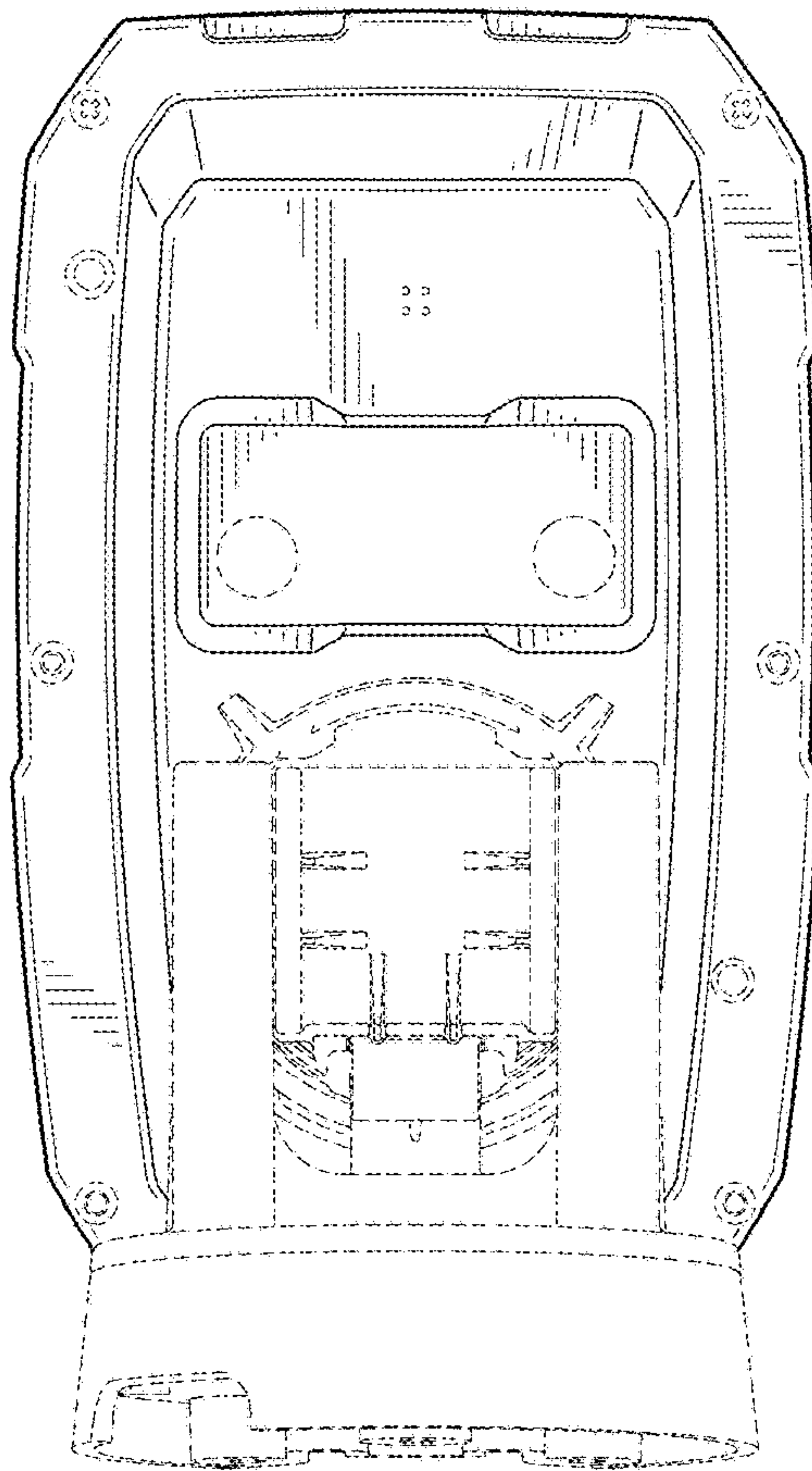


Fig. 4

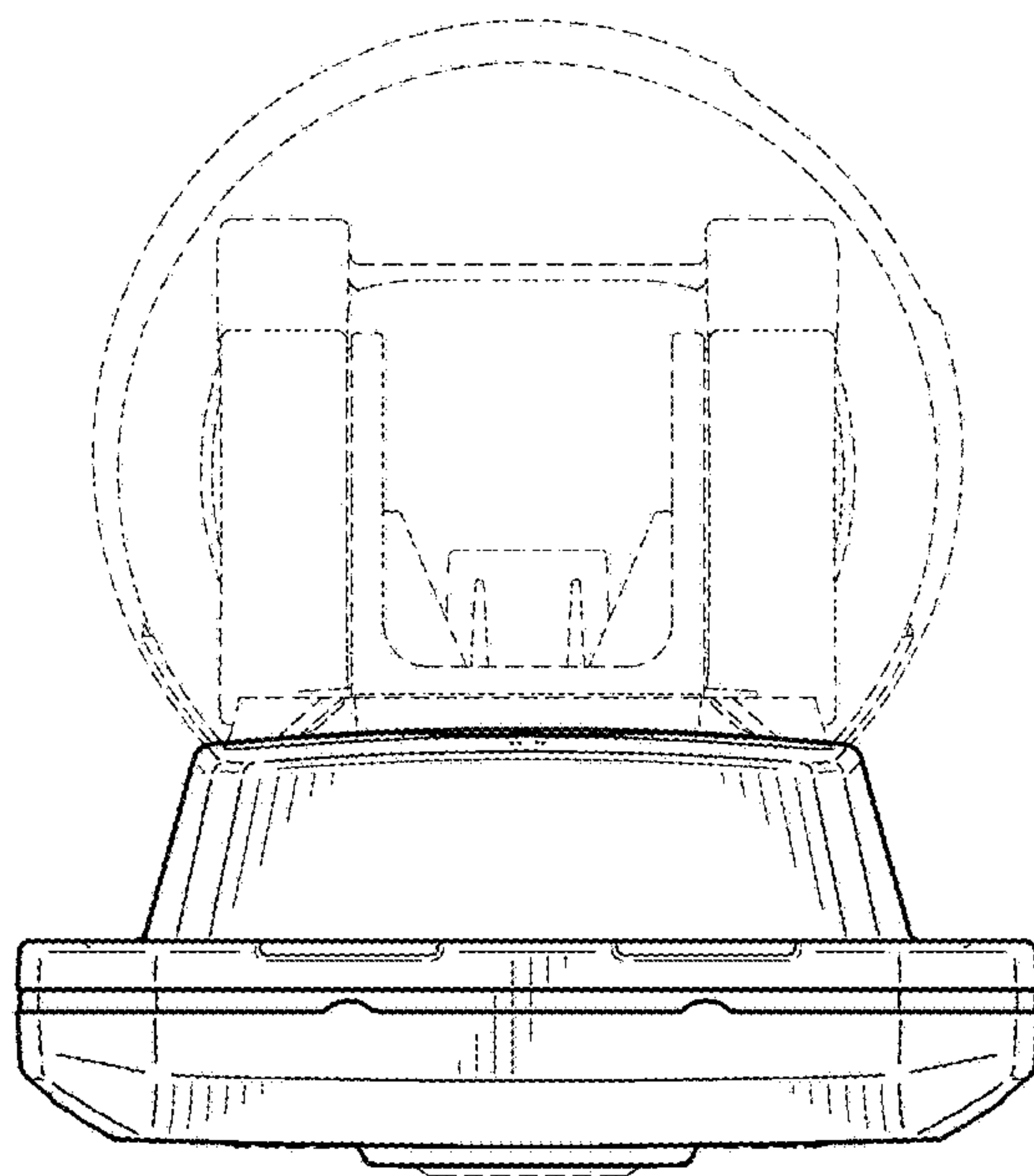


Fig. 5

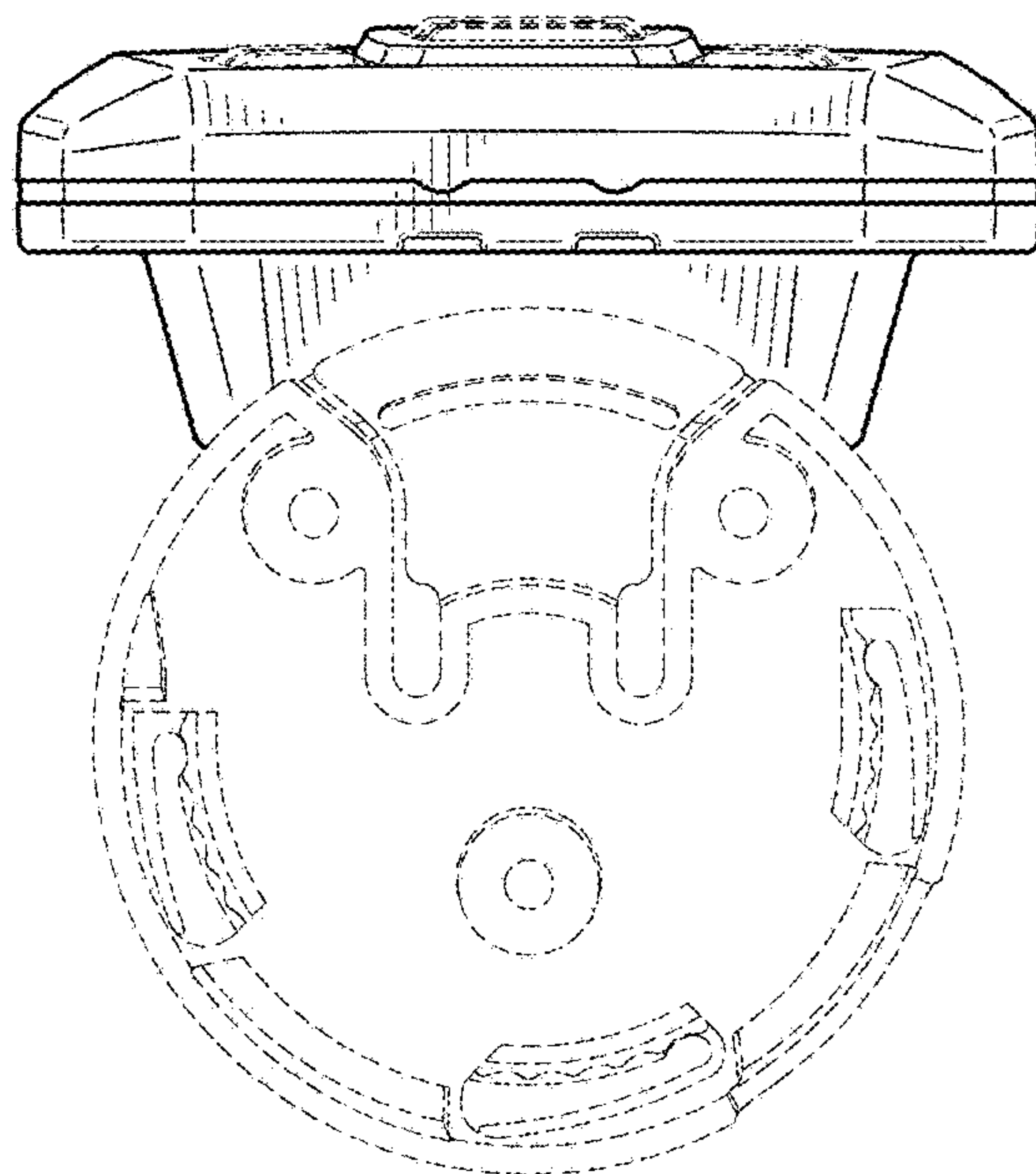


Fig. 6

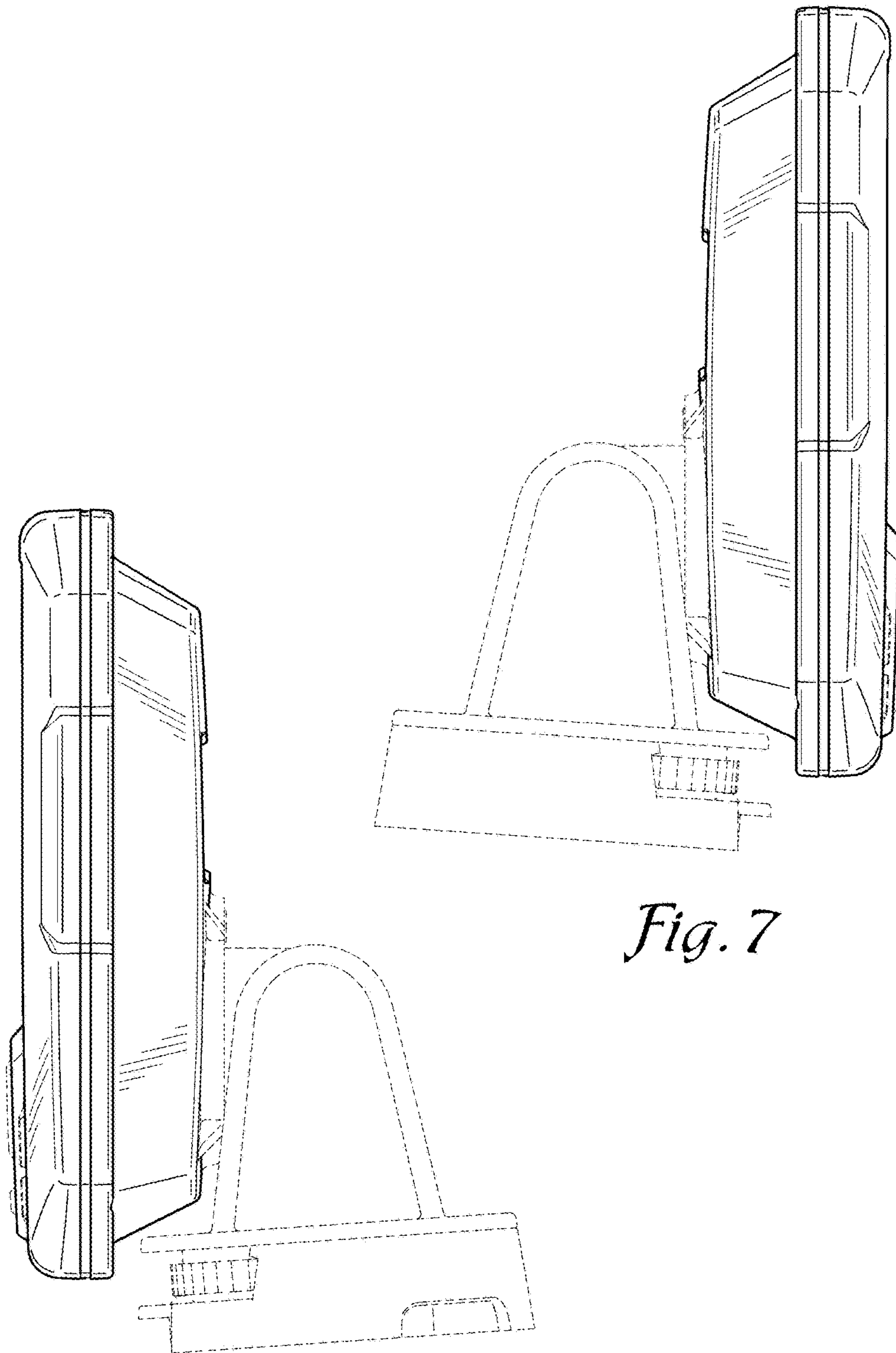


Fig. 7

Fig. 8