



US00D782347S

(12) **United States Design Patent**
Emge et al.

(10) **Patent No.:** **US D782,347 S**
(45) **Date of Patent:** **** Mar. 28, 2017**

(54) **MARINE DEVICE**

(71) Applicant: **Garmin Switzerland GmbH**,
Schaffhausen (CH)

(72) Inventors: **Mark B. Emge**, Olathe, KS (US);
Russell F. Mansfield, III, Shawnee, KS
(US); **Gary J. Domke**, Shawnee, KS
(US); **Kent Jacob S. Codilla**, Kansas
City, MO (US); **Matthew C.**
Emenheiser, Kansas City, MO (US)

(73) Assignee: **Garmin Switzerland GmbH** (CH)

(**) Term: **15 Years**

(21) Appl. No.: **29/544,373**

(22) Filed: **Nov. 3, 2015**

(51) **LOC (10) Cl.** **10-04**

(52) **U.S. Cl.**
USPC **D10/70; D10/65**

(58) **Field of Classification Search**
USPC D10/65, 70
CPC A01K 97/00; B63B 49/00; B63B 45/08;
G08B 1/08; G01C 21/20; G01C 21/203;
G01C 21/24; G01C 21/265; G01C 21/28;
G01C 21/30; G01C 21/32; G09B 29/007;
G09B 29/008; G05D 1/0206; G01S
15/025; G01S 15/88; G01S 15/96
See application file for complete search history.

(56) **References Cited**

U.S. PATENT DOCUMENTS

D659,563 S * 5/2012 Groener D10/65
9,002,633 B2 * 4/2015 Igodt G01C 21/26
701/414

D733,594 S * 7/2015 Bowman D10/65
D736,106 S * 8/2015 Bowman D10/65
9,196,086 B2 * 11/2015 Lynch G06T 17/05
D750,508 S * 3/2016 Bowman D10/65
9,428,254 B1 * 8/2016 Scheller B63B 35/7953

OTHER PUBLICATIONS

Printout from <http://www.lowrance.com/en-US/Products/Fishfinder-Chartplotter/Elite-4-HDI-en-us.aspx> published prior to Apr. 16, 2014.

(Continued)

Primary Examiner — Antoine D Davis

(74) *Attorney, Agent, or Firm* — Samuel M. Korte; Max M. Ali

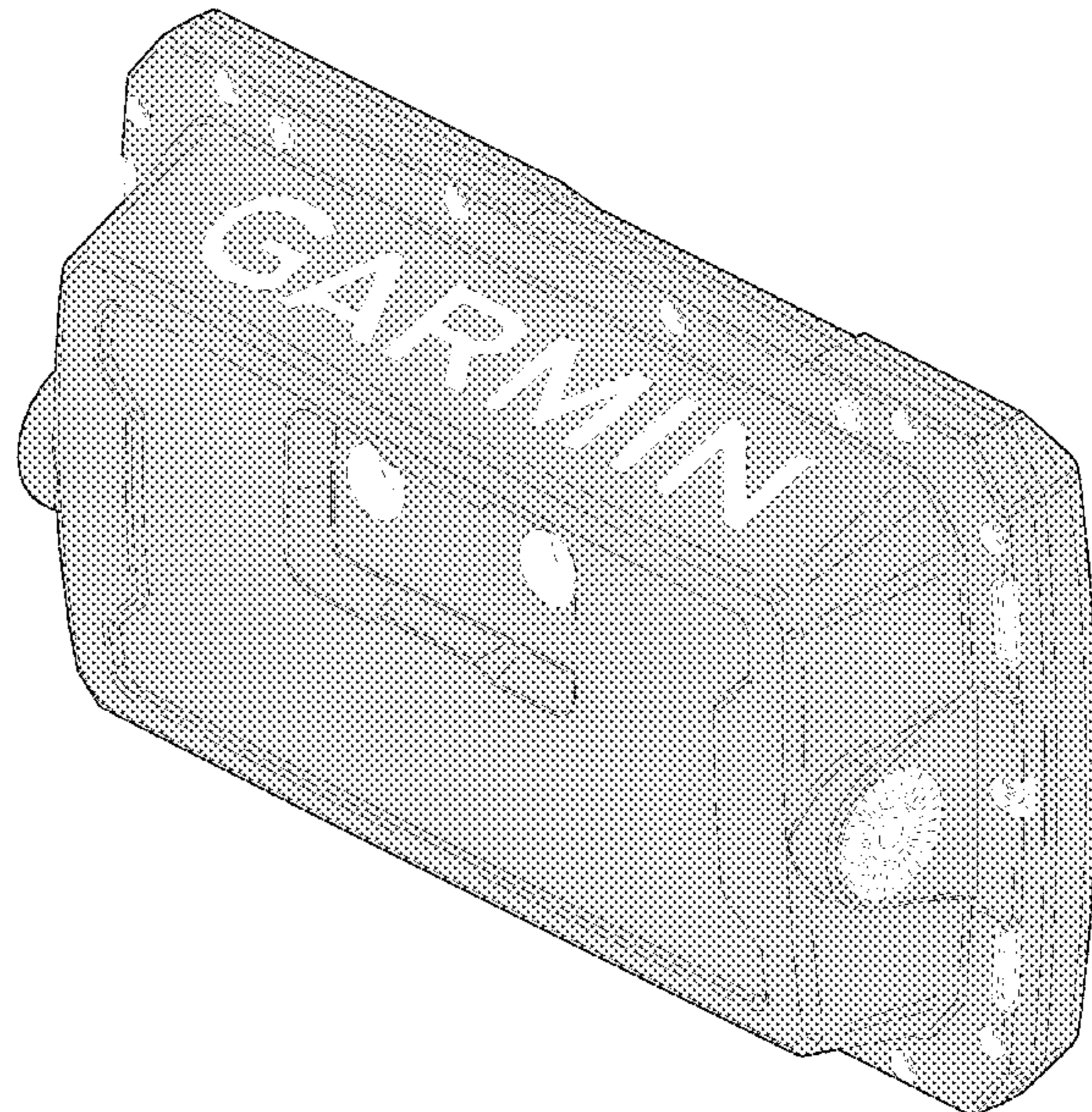
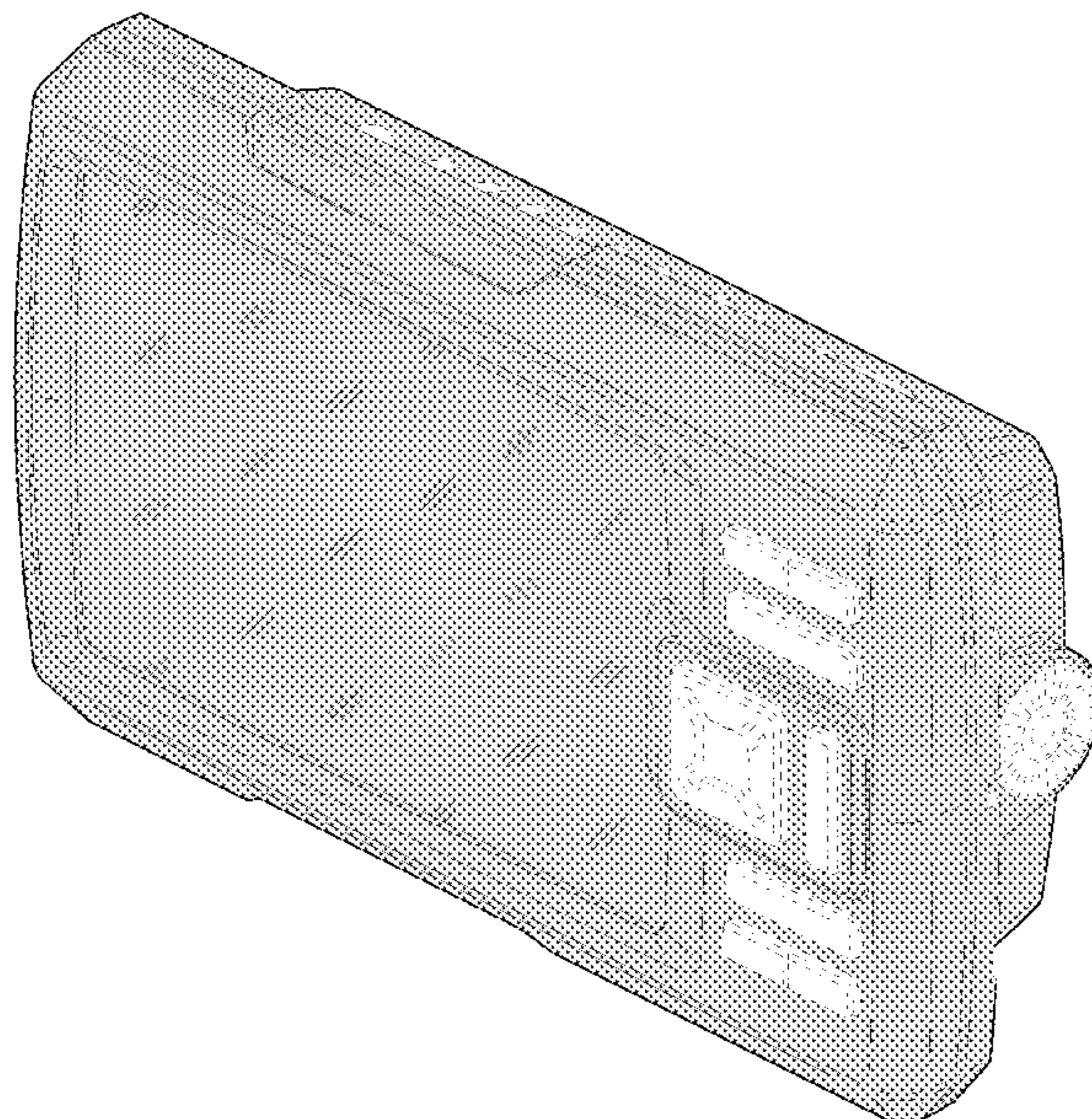
(57) **CLAIM**

The ornamental design for a marine device, as shown and described.

DESCRIPTION

FIG. 1 is a front perspective view of a marine device according to the present invention;
FIG. 2 is a rear perspective view of the marine device;
FIG. 3 is a top view of the marine device;
FIG. 4 is a front view of the marine device;
FIG. 5 is a bottom view of the marine device;
FIG. 6 is a rear view of the marine device;
FIG. 7 is a left side view of the marine device; and,
FIG. 8 is a right side view of the marine device.
The structural features depicted by broken lines have been shown for the purpose of illustrating portions of the marine device that form no part of the claimed design.

1 Claim, 5 Drawing Sheets



(56)

References Cited

OTHER PUBLICATIONS

Printout from <http://www.lowrance.com/en-US/Products/Fishfinder-Chartplotter/HDS7-en-us.aspx> published prior to Oct. 29, 2014.

Printout from <http://www.lowrance.com/en-US/Products/Fishfinder/Elite-3x-en-us.aspx> published prior to Apr. 7, 2016.

Printout from <http://www.lowrance.com/en-US/Products/Fishfinder-Chartplotter/Elite-5-CHIRP-en-us.aspx> published prior to Apr. 7, 2016.

Printout from <http://www.humminbird.com/Products/HELIX-5-SI-GPS/> published prior to Apr. 7, 2016.

Printout from <http://www.lowrance.com/en-US/Products/Fishfinder-Chartplotter/Elite-7-CHIRP-en-us.aspx> published prior to Apr. 7, 2016.

Printout from <http://www.humminbird.com/Products/HELIX-7-SI-GPS/> published prior to Apr. 7, 2016.

* cited by examiner

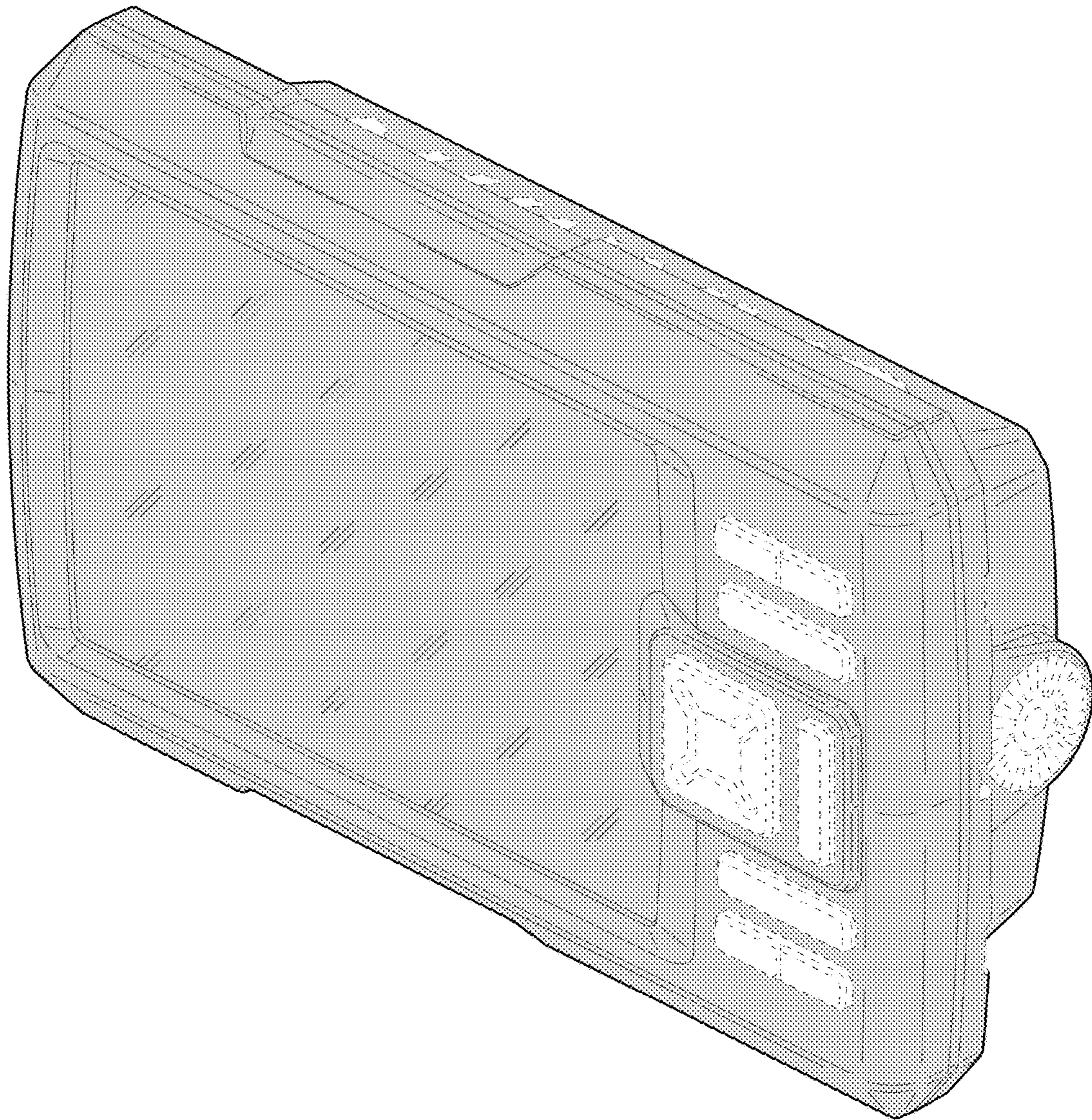


Fig. 1

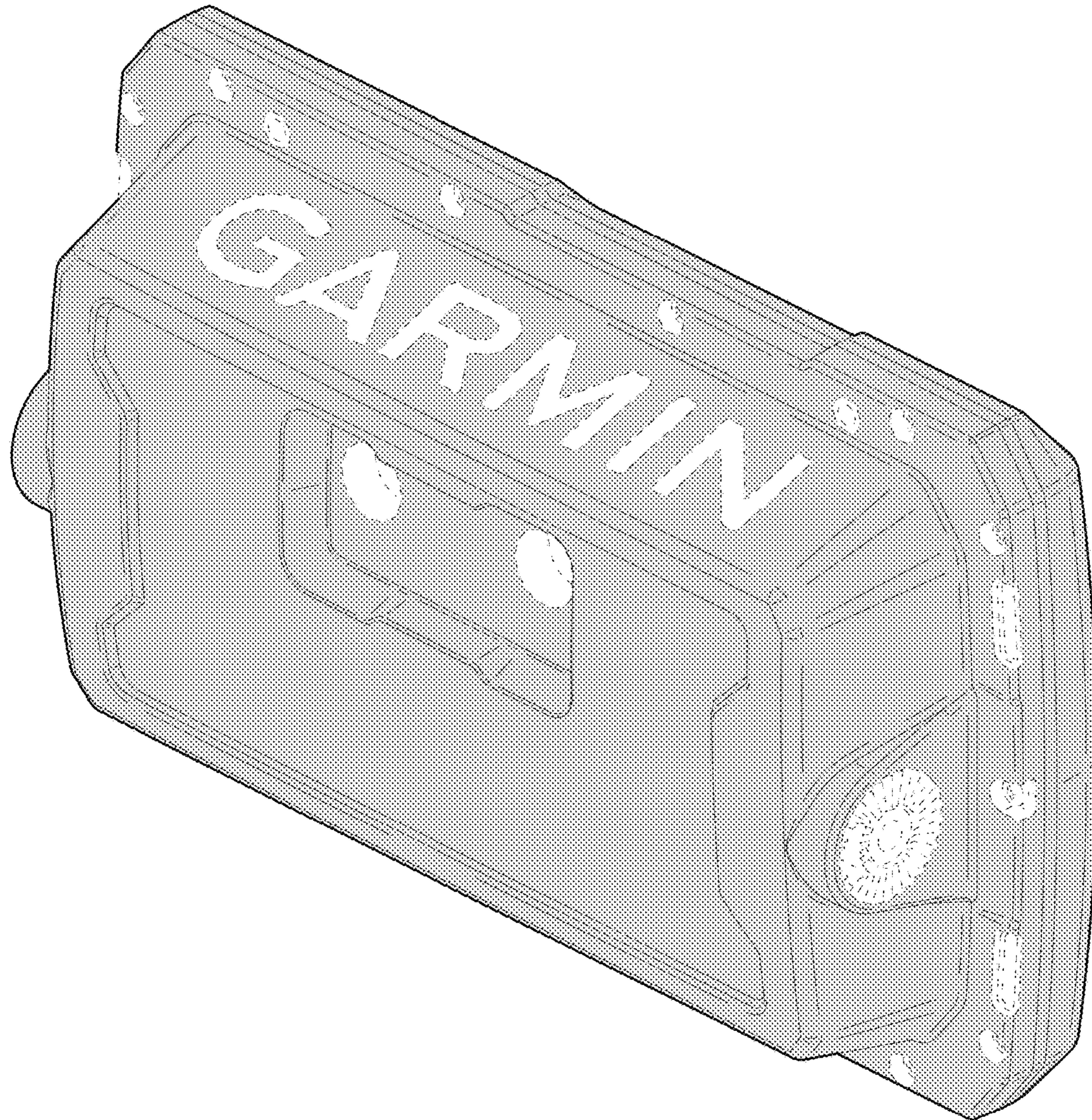


Fig. 2

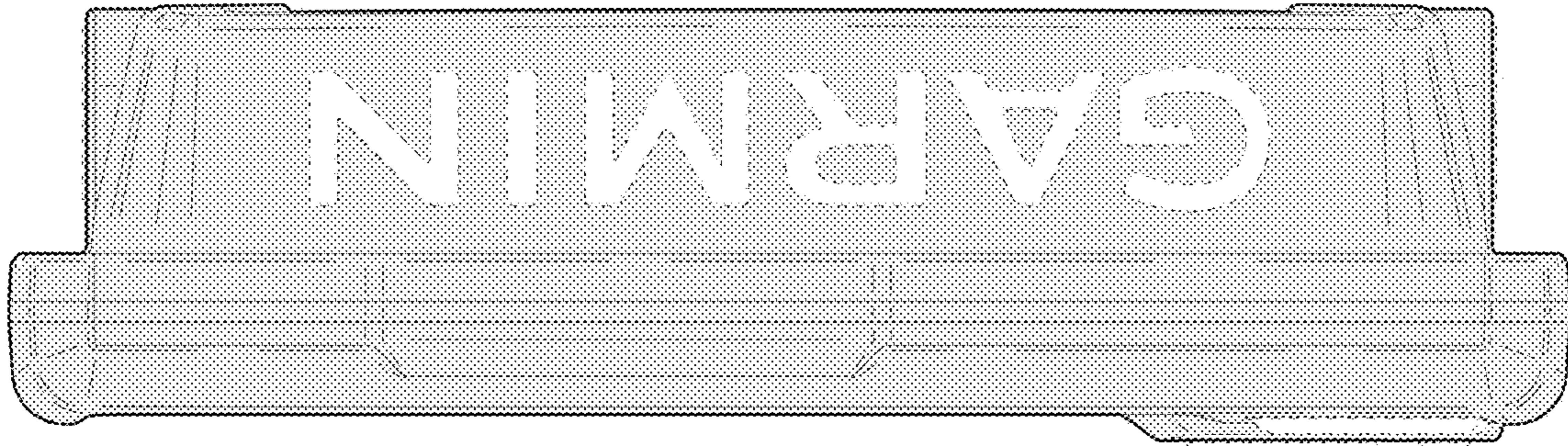


Fig. 3

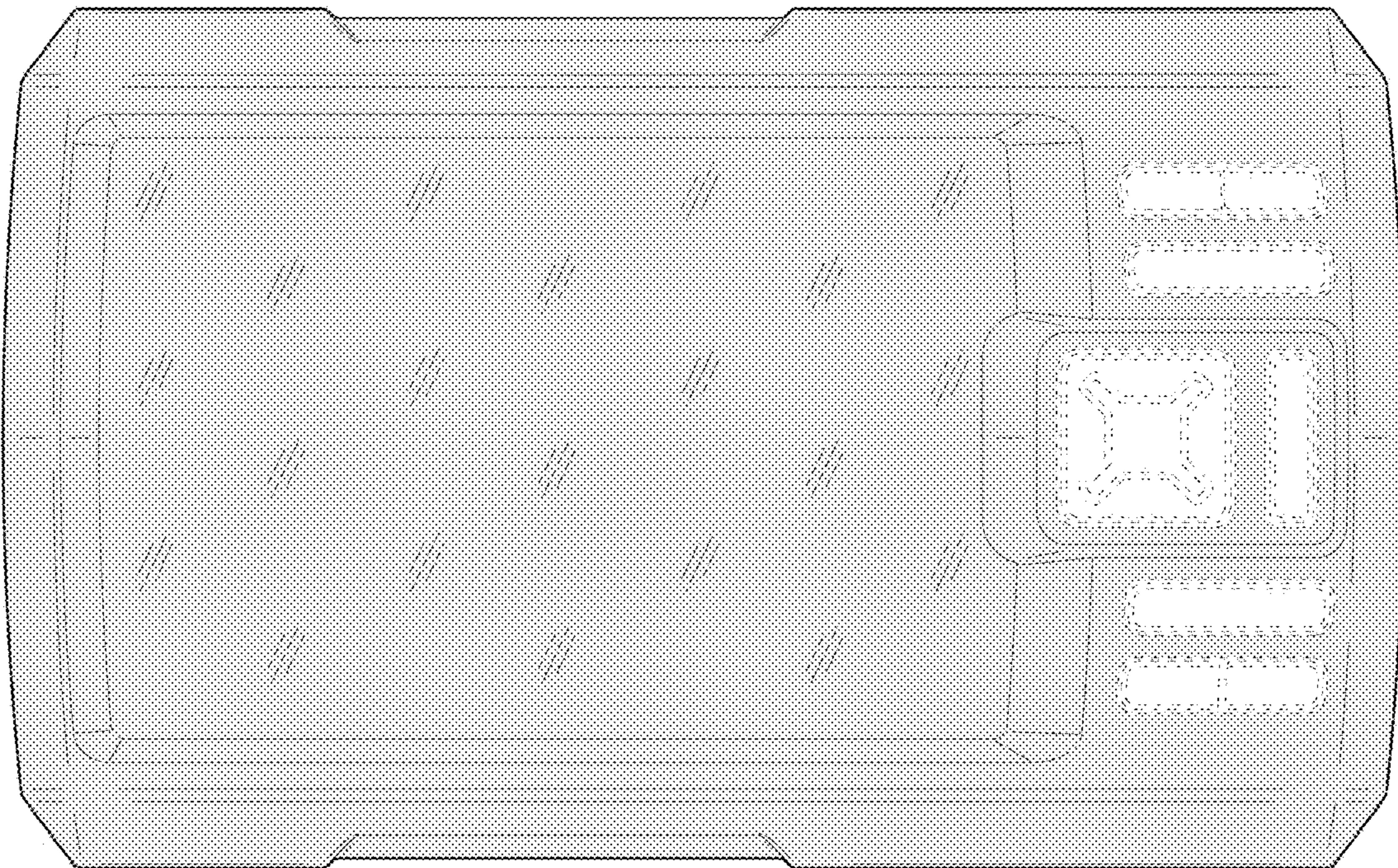


Fig. 4

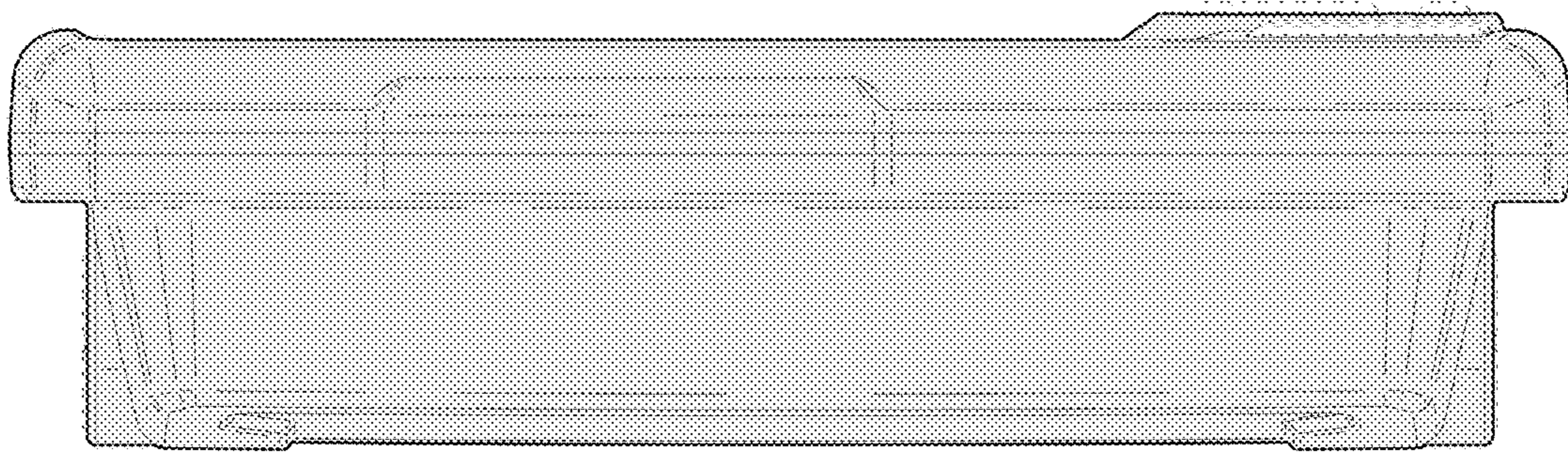


Fig. 5

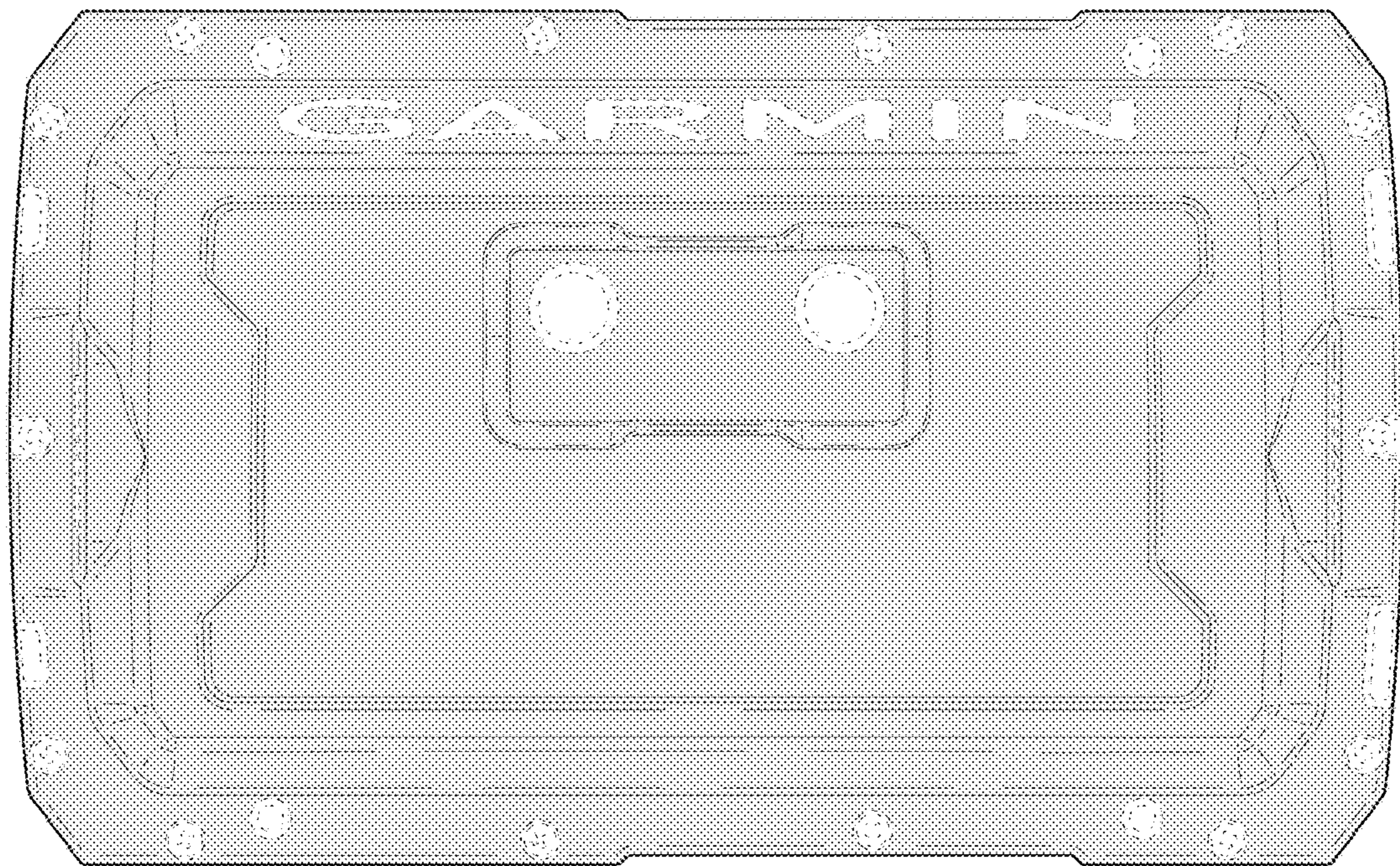


Fig. 6

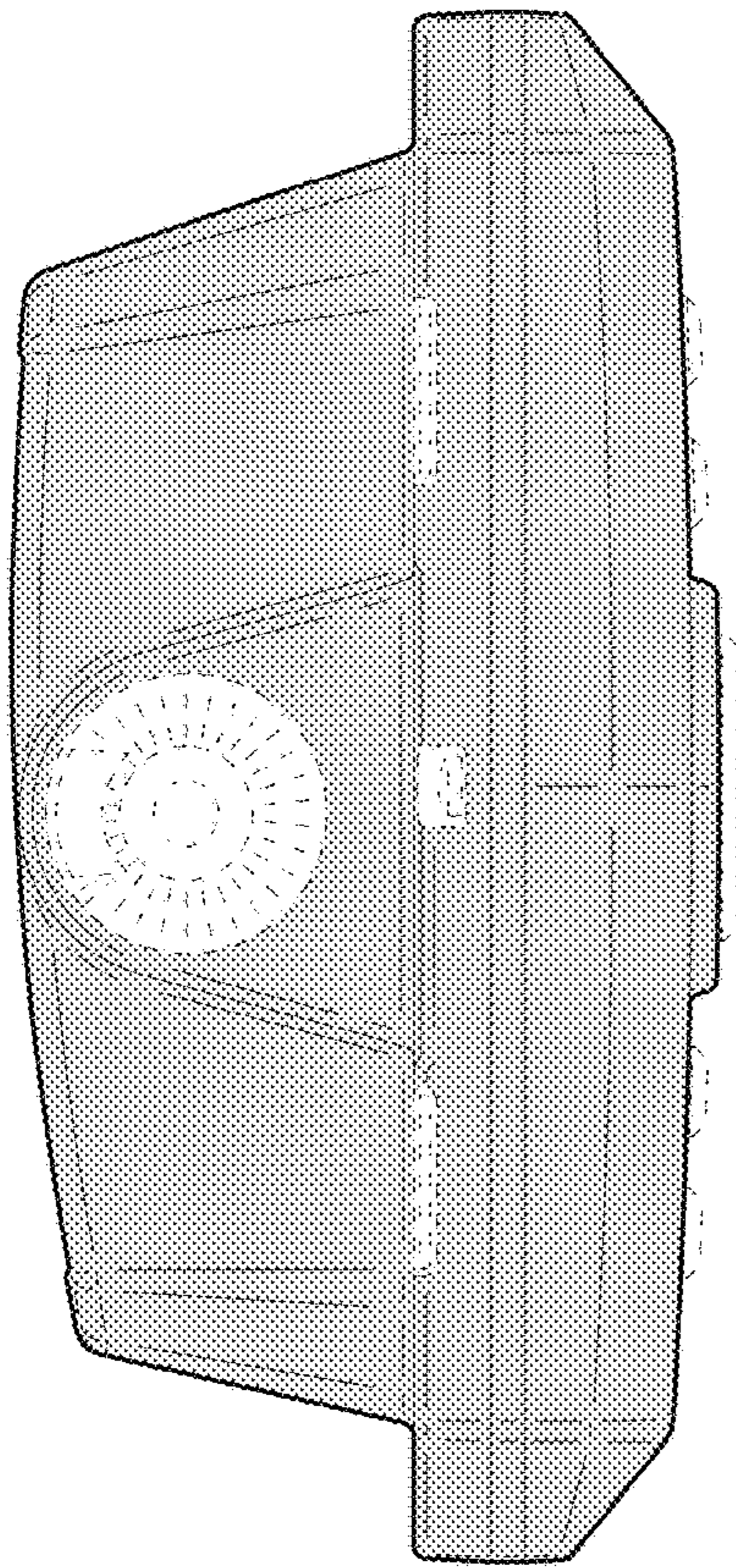


Fig. 7

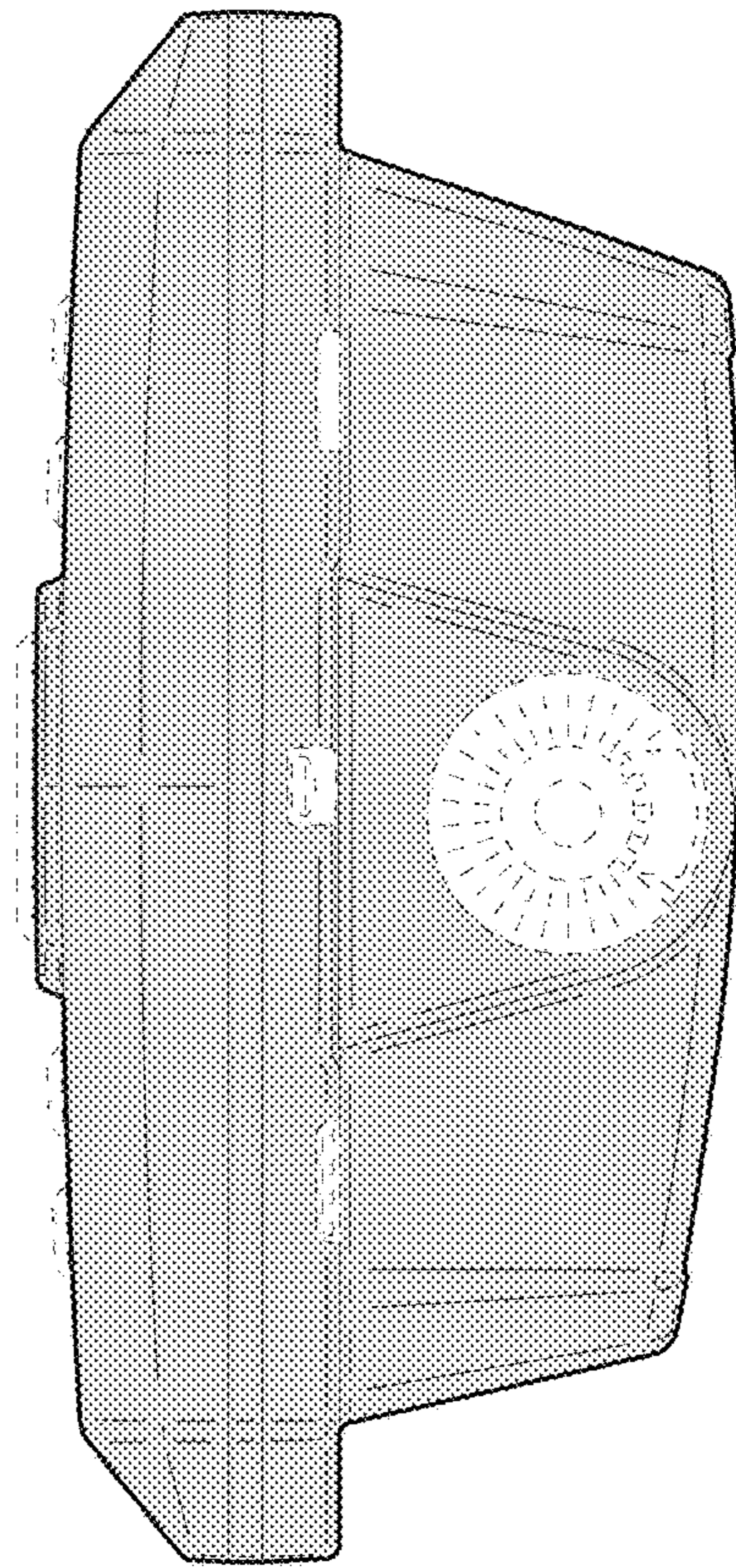


Fig. 8