



US00D782346S

(12) **United States Design Patent** (10) **Patent No.:** **US D782,346 S**
Moses (45) **Date of Patent:** **** Mar. 28, 2017**

(54) **ELECTRONIC DEVICE LOCATOR**

(56) **References Cited**

(71) Applicant: **Lawrence Lee Moses**, Beverly Hills,
CA (US)

U.S. PATENT DOCUMENTS

(72) Inventor: **Lawrence Lee Moses**, Beverly Hills,
CA (US)

D658,521 S * 5/2012 Chang D10/68
2015/0091727 A1* 4/2015 Moses G08B 21/24
340/539.32

(**) Term: **15 Years**

* cited by examiner

Primary Examiner — Antoine D Davis
(74) *Attorney, Agent, or Firm* — Plager Schack LLP

(21) Appl. No.: **29/538,643**

(57) **CLAIM**

The ornamental design for an electronic device locator, as shown and described.

(22) Filed: **Sep. 4, 2015**

DESCRIPTION

(51) **LOC (10) Cl.** **10-04**

(52) **U.S. Cl.**
USPC **D10/68**

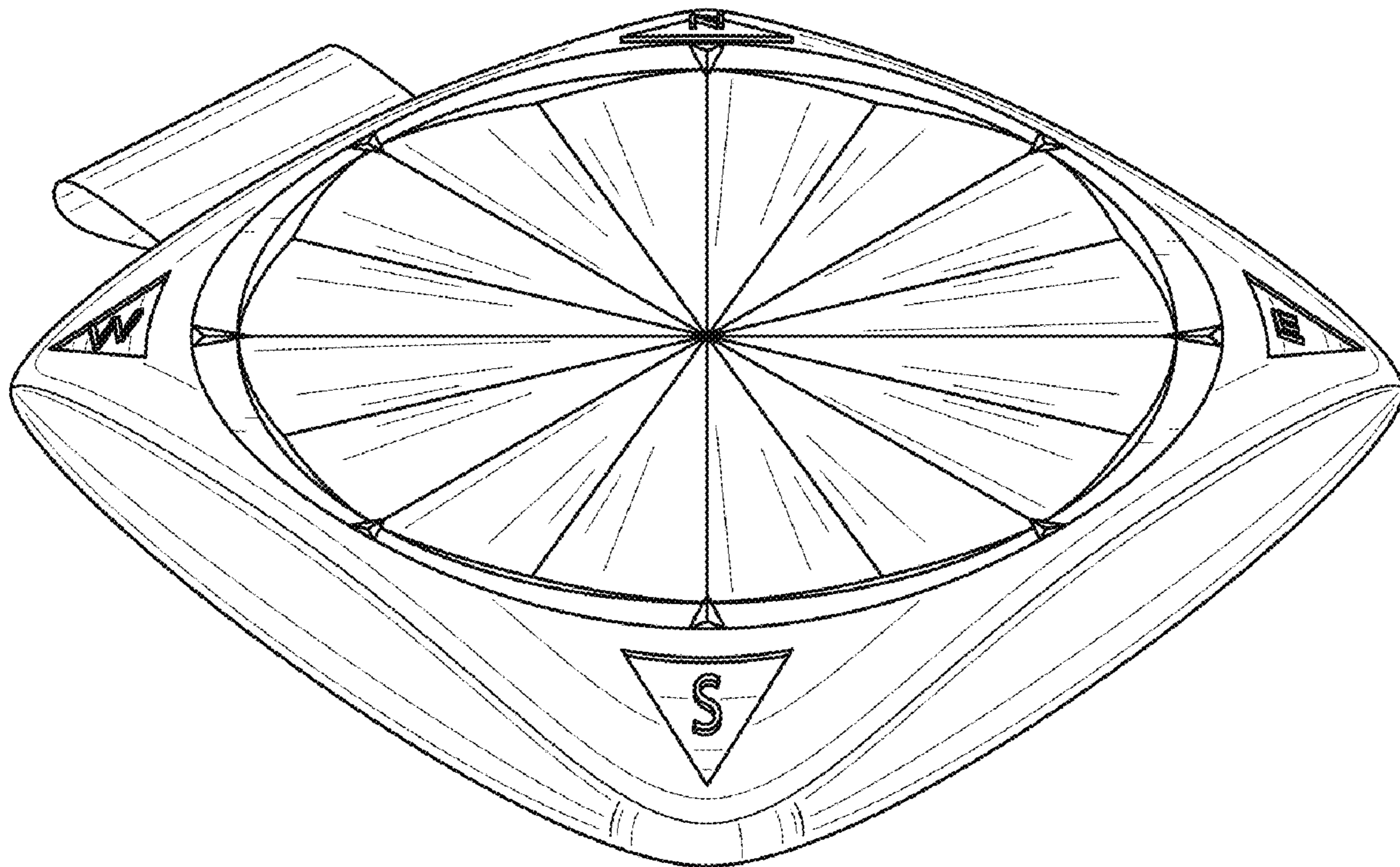
(58) **Field of Classification Search**
USPC D10/68

CPC G01C 17/00; G01C 17/02; G01C 17/04;
G01C 17/06; G01C 17/08; G01C 17/10;
G01C 17/12; G01C 17/14; G01C 17/16;
G01C 17/18; G01C 17/20; G01C 17/22;
G01C 17/24; G01C 17/26; G01C 17/28;
G01C 17/30; G01C 17/32; G01C 17/34

FIG. 1 is a front perspective view of the electronic device locator showing an ornamental compass.
FIG. 2 is a top view of the electronic device locator showing an ornamental compass.
FIG. 3 is a bottom view of the electronic device locator.
FIG. 4 is a side view of the electronic device locator showing the ornamental compass to the left.
FIG. 5 is a side view of the electronic device locator showing the ornamental compass to the right.
FIG. 6 is a side view of the electronic device locator showing the ornamental compass upward; and,
FIG. 7 is a side view of the electronic device locator showing the ornamental compass downward.

See application file for complete search history.

1 Claim, 5 Drawing Sheets



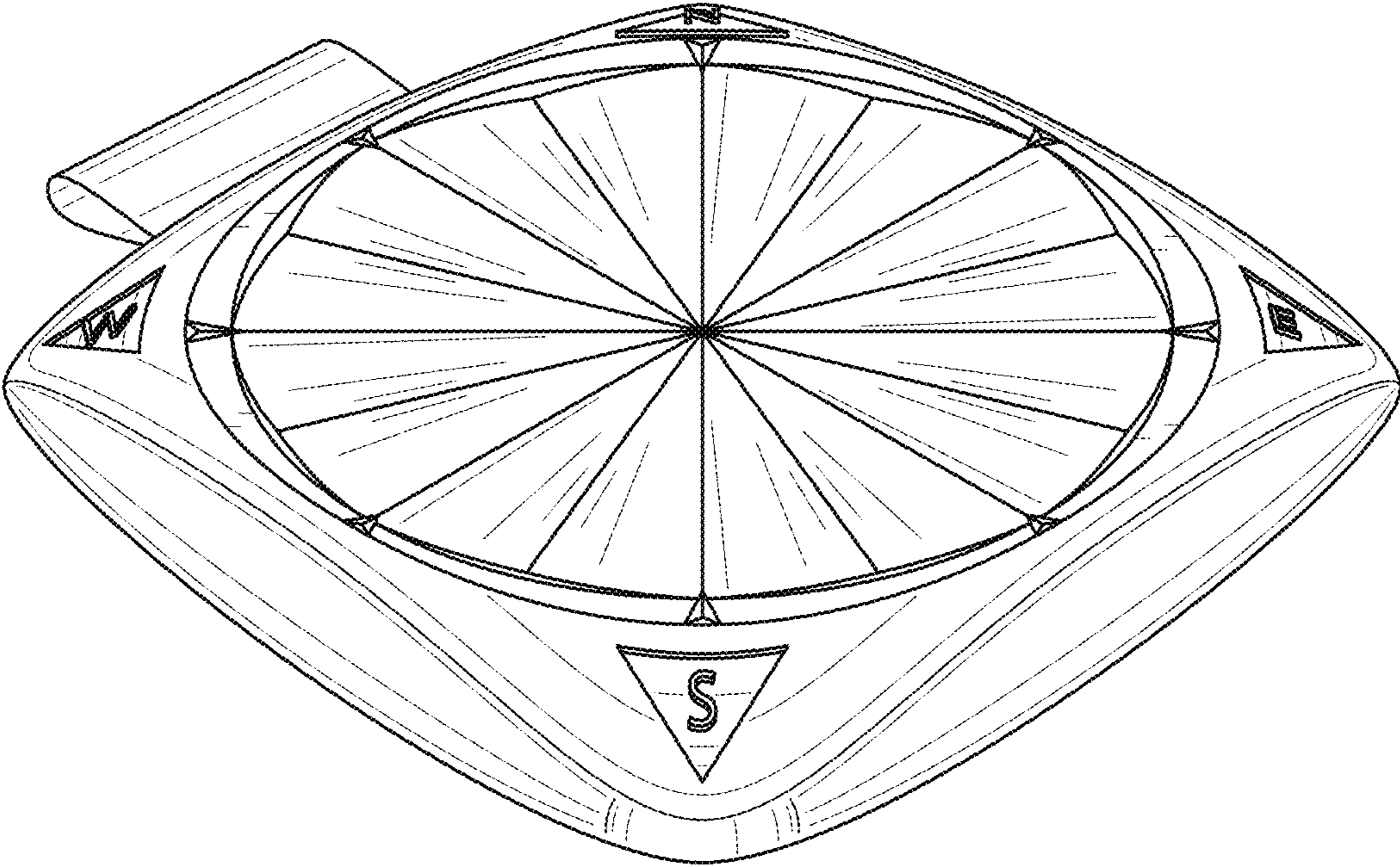


FIG. 1

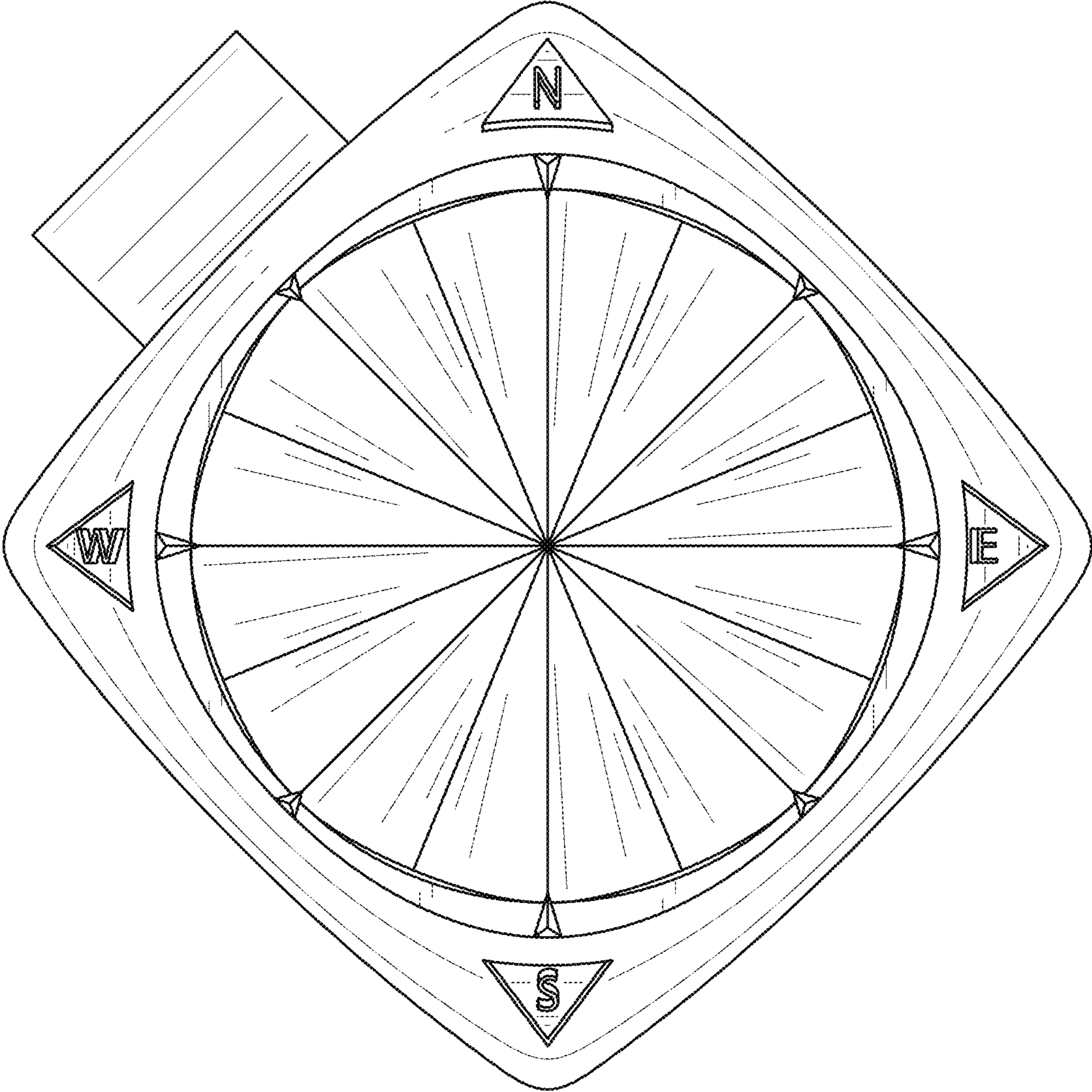


FIG. 2

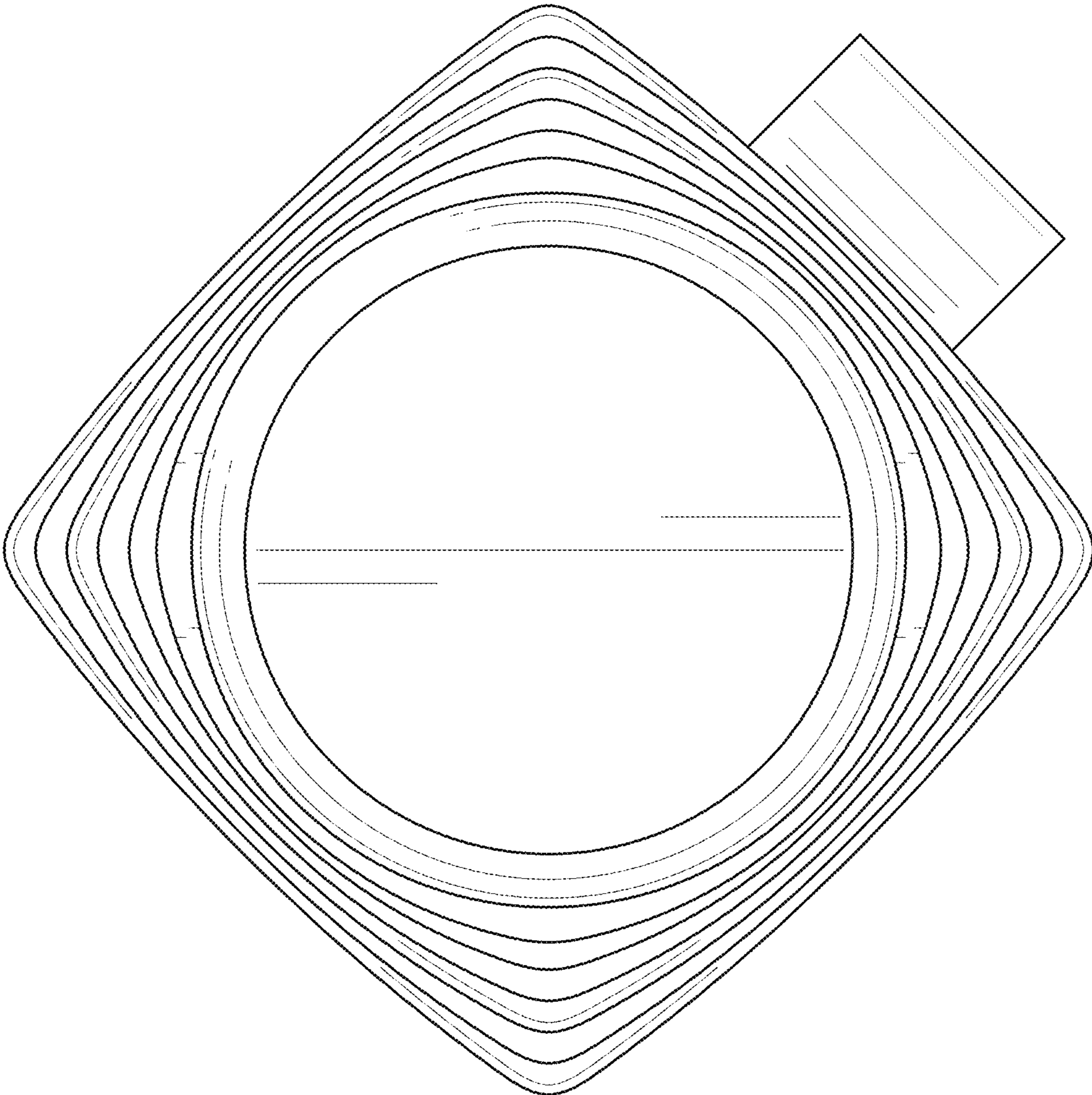


FIG. 3

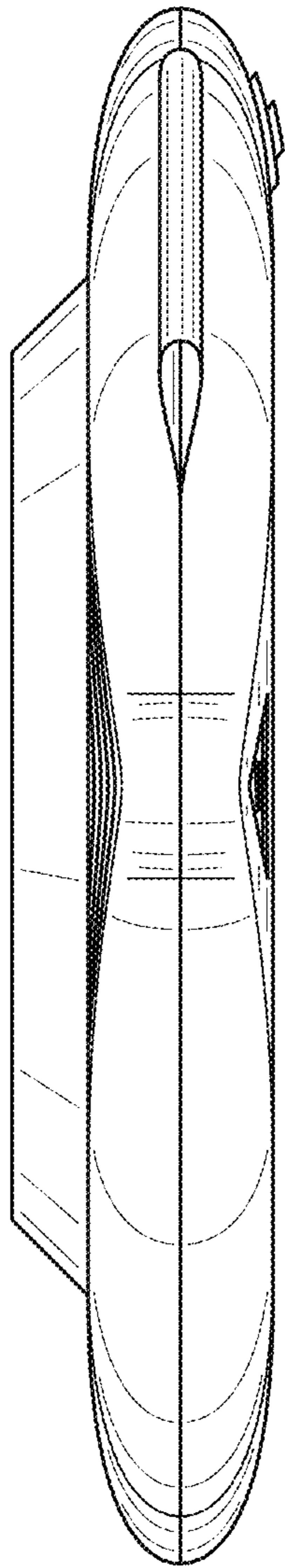


FIG. 4

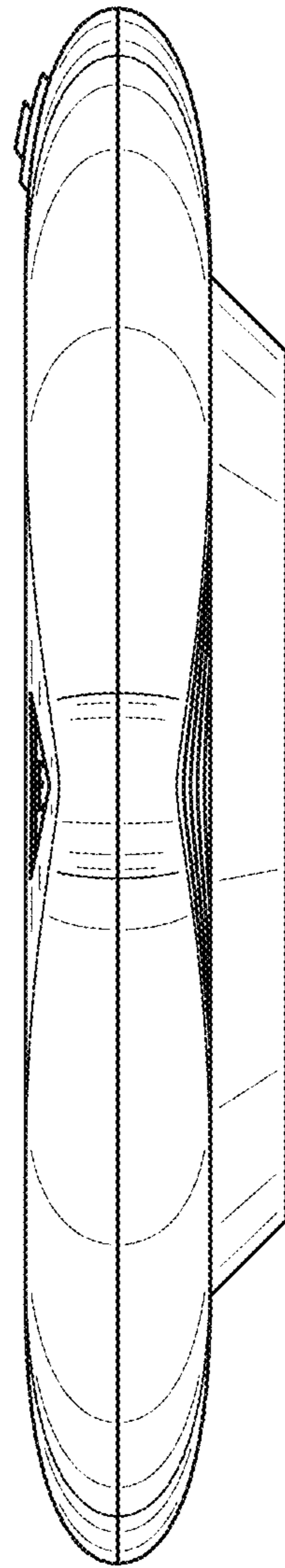


FIG. 5

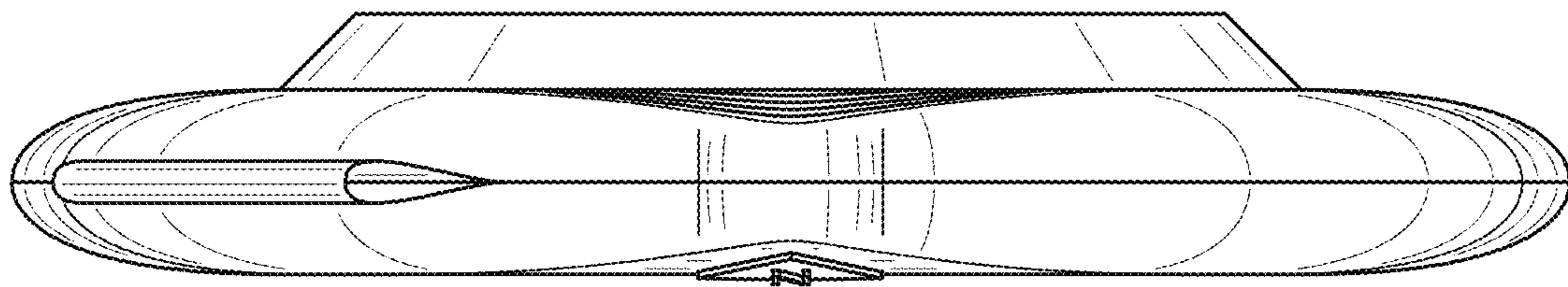


FIG. 6

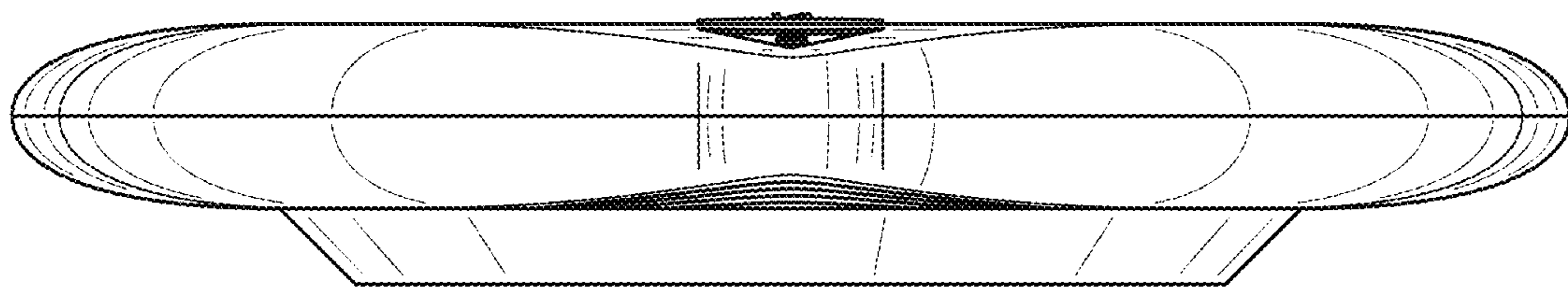


FIG. 7