



US00D782345S

(12) **United States Design Patent**  
**Wu**

(10) **Patent No.:** **US D782,345 S**  
(45) **Date of Patent:** **\*\* Mar. 28, 2017**

(54) **EXTERNAL GYROSCOPE**

(71) Applicant: **TIMOTION TECHNOLOGY CO., LTD.**, New Taipei (TW)

(72) Inventor: **Chou-Hsin Wu**, New Taipei (TW)

(73) Assignee: **TIMOTION TECHNOLOGY CO., LTD.**, New Taipei (TW)

(\*\*) Term: **15 Years**

(21) Appl. No.: **29/549,119**

(22) Filed: **Dec. 18, 2015**

(30) **Foreign Application Priority Data**

Sep. 24, 2015 (TW) ..... 104305312  
Nov. 3, 2015 (CN) ..... 2015 3 0432998

(51) **LOC (10) Cl.** ..... **10-04**

(52) **U.S. Cl.**  
USPC ..... **D10/66**

(58) **Field of Classification Search**  
USPC ..... D10/66  
CPC ..... G01C 19/24; G01C 19/30; G01C 19/56;  
G01C 19/5607; G01C 19/5614; G01C  
19/5621; G01C 19/5628; G01C 19/5635;  
G01C 19/5642; G01C 19/5649; G01C  
19/5656; G01C 19/5663; G01C 19/567;  
G01C 19/5677; G01C 19/5684; G01C  
19/5691

See application file for complete search history.

(56) **References Cited**

U.S. PATENT DOCUMENTS

D317,132 S \* 5/1991 Knipfer ..... D10/65  
5,488,622 A \* 1/1996 Mitchell ..... G01C 19/667  
372/33

\* cited by examiner

*Primary Examiner* — Antoine D Davis

(74) *Attorney, Agent, or Firm* — Chun-Ming Shih; HDLS  
IPR Services

(57) **CLAIM**

The ornamental design for an external gyroscope, as shown  
and described.

**DESCRIPTION**

FIG. 1 is a perspective view of an external gyroscope  
showing my new design;

FIG. 2 is a front view thereof;

FIG. 3 is a rear view thereof;

FIG. 4 is a left side view thereof;

FIG. 5 is a right side view thereof;

FIG. 6 is a top view thereof;

FIG. 7 is a bottom view thereof; and

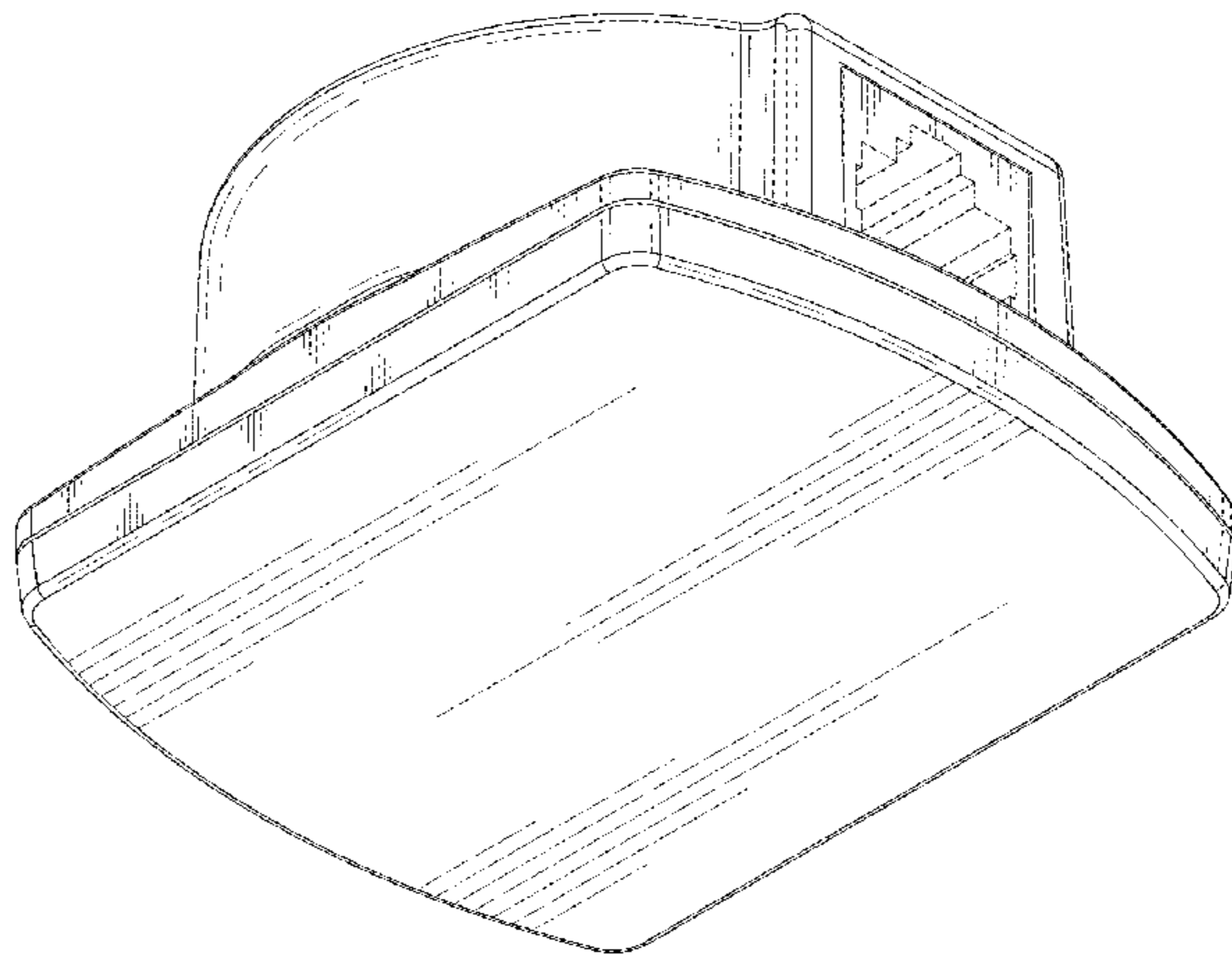
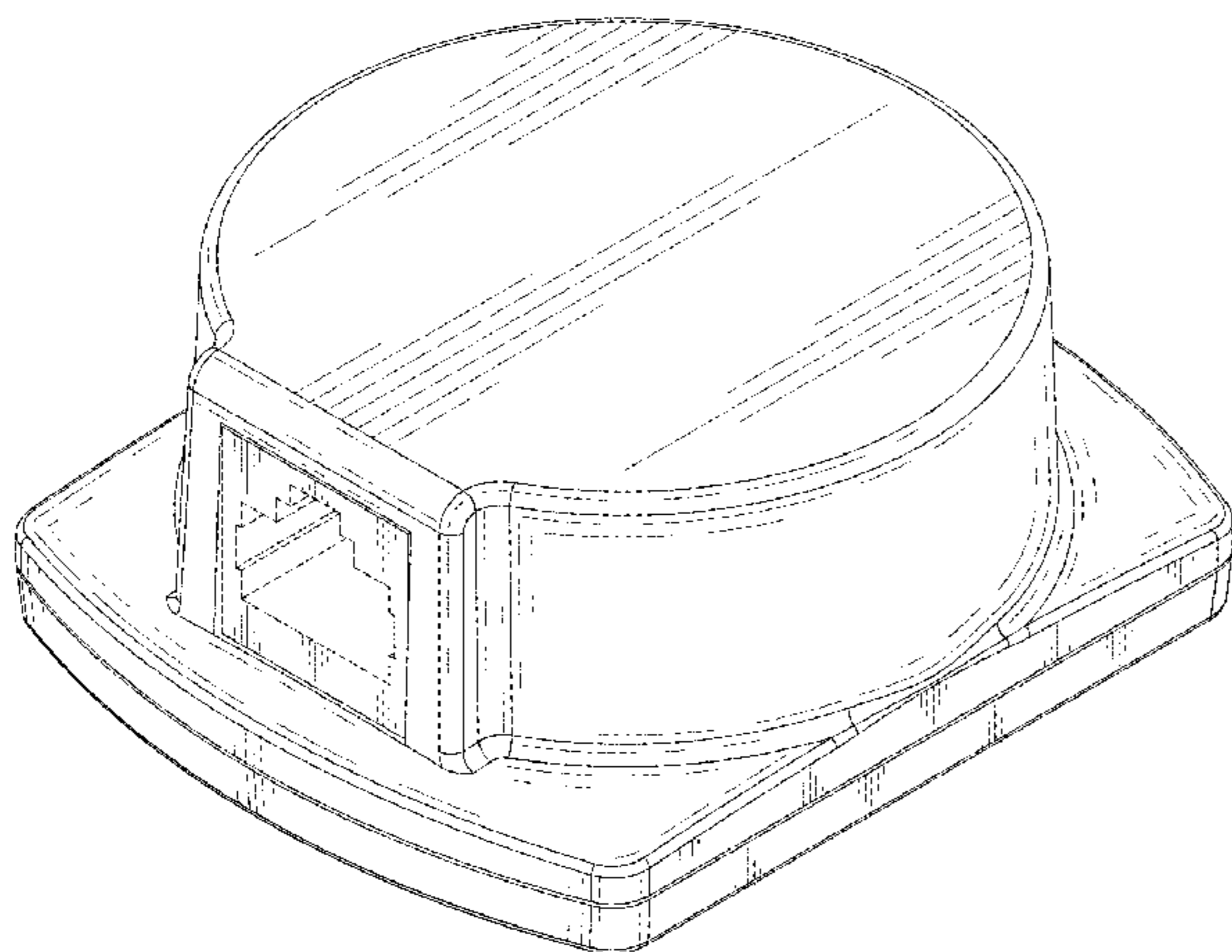
FIG. 8 is second perspective view showing the external  
gyroscope.

FIG. 9 is third perspective view showing the external  
gyroscope; and,

FIG. 10 is a perspective view showing the external gyro-  
scope in use.

The broken lines shown represent unclaimed subject matter  
and form no part of the claimed design.

**1 Claim, 10 Drawing Sheets**



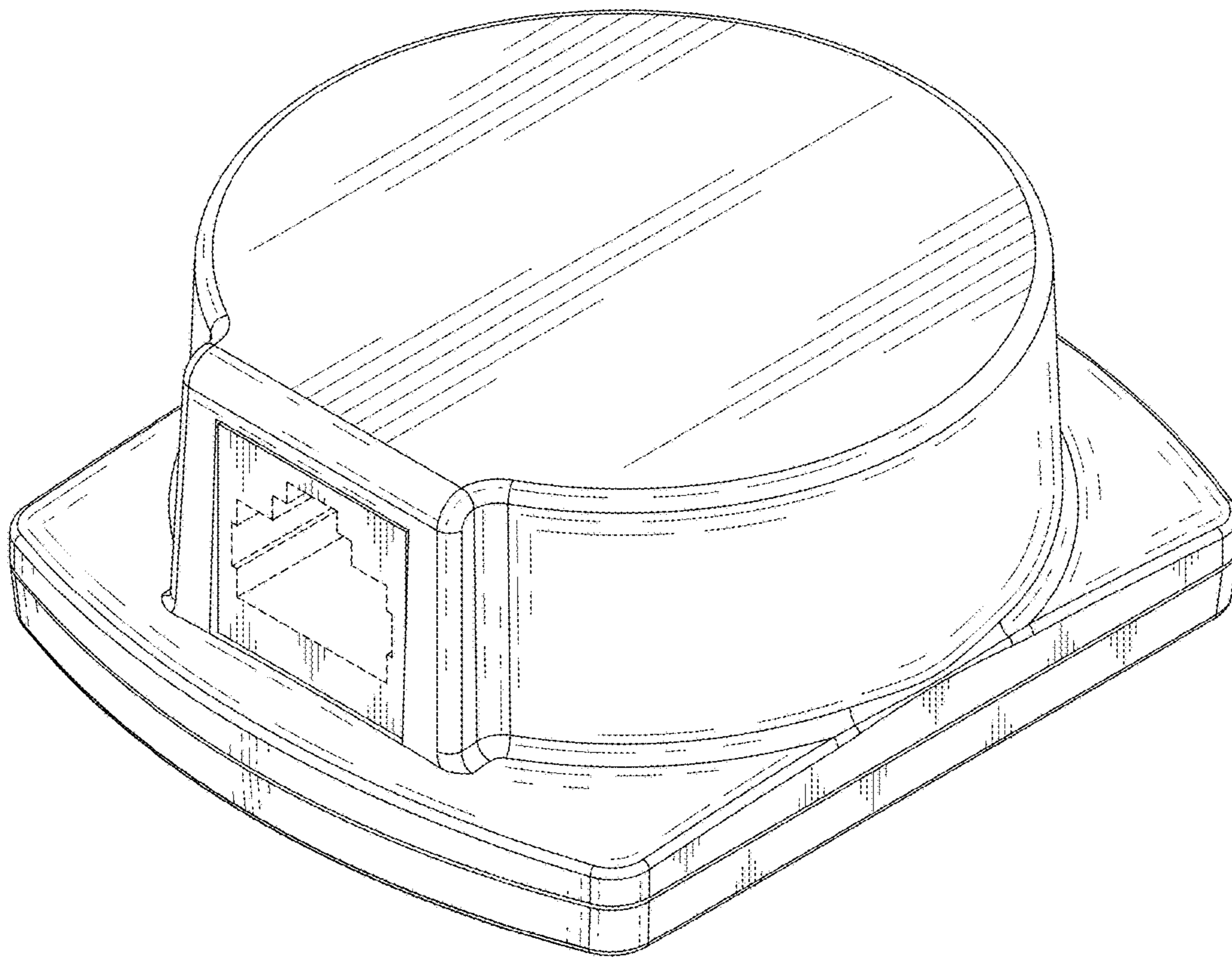


FIG.1

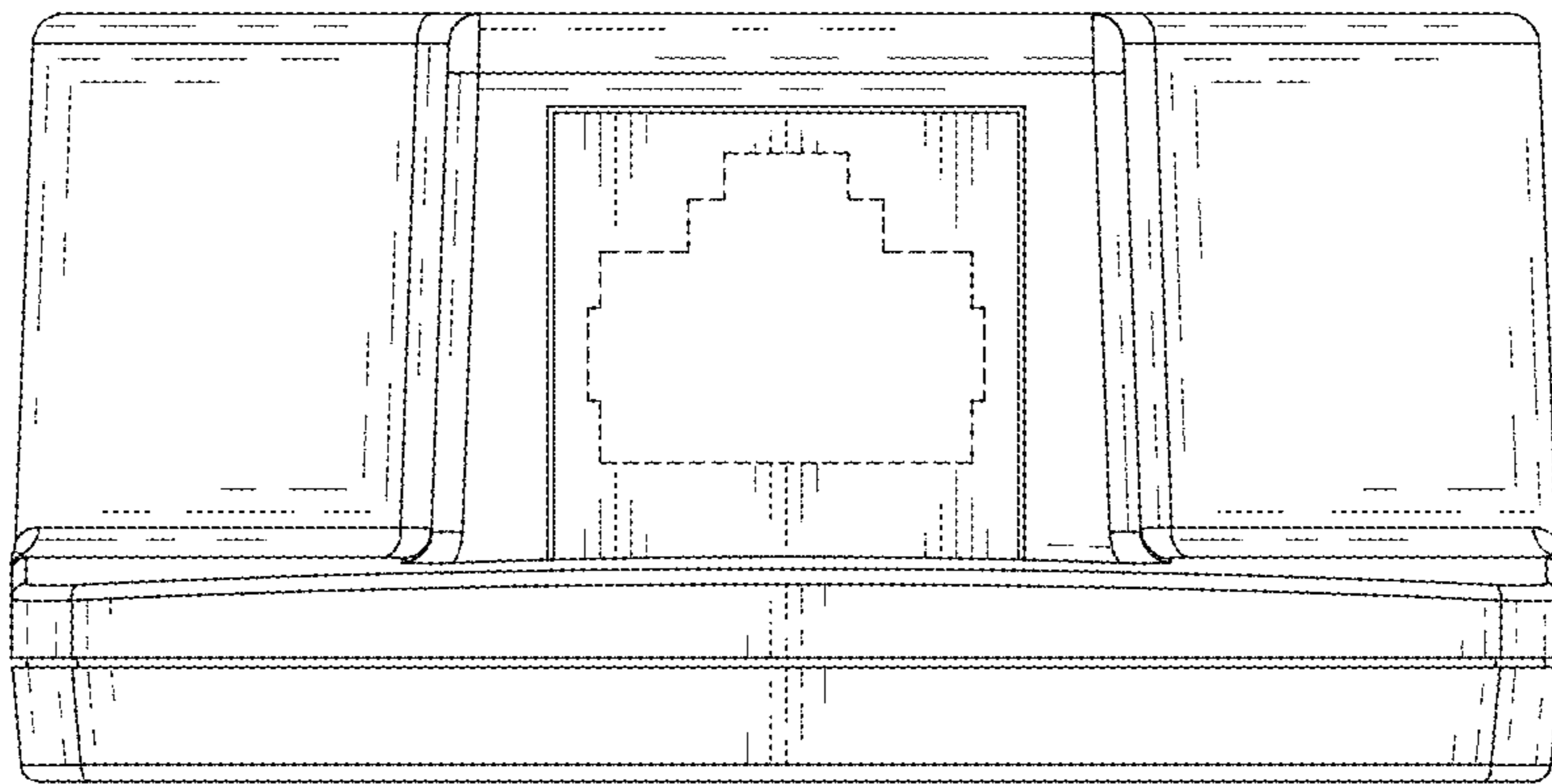


FIG.2

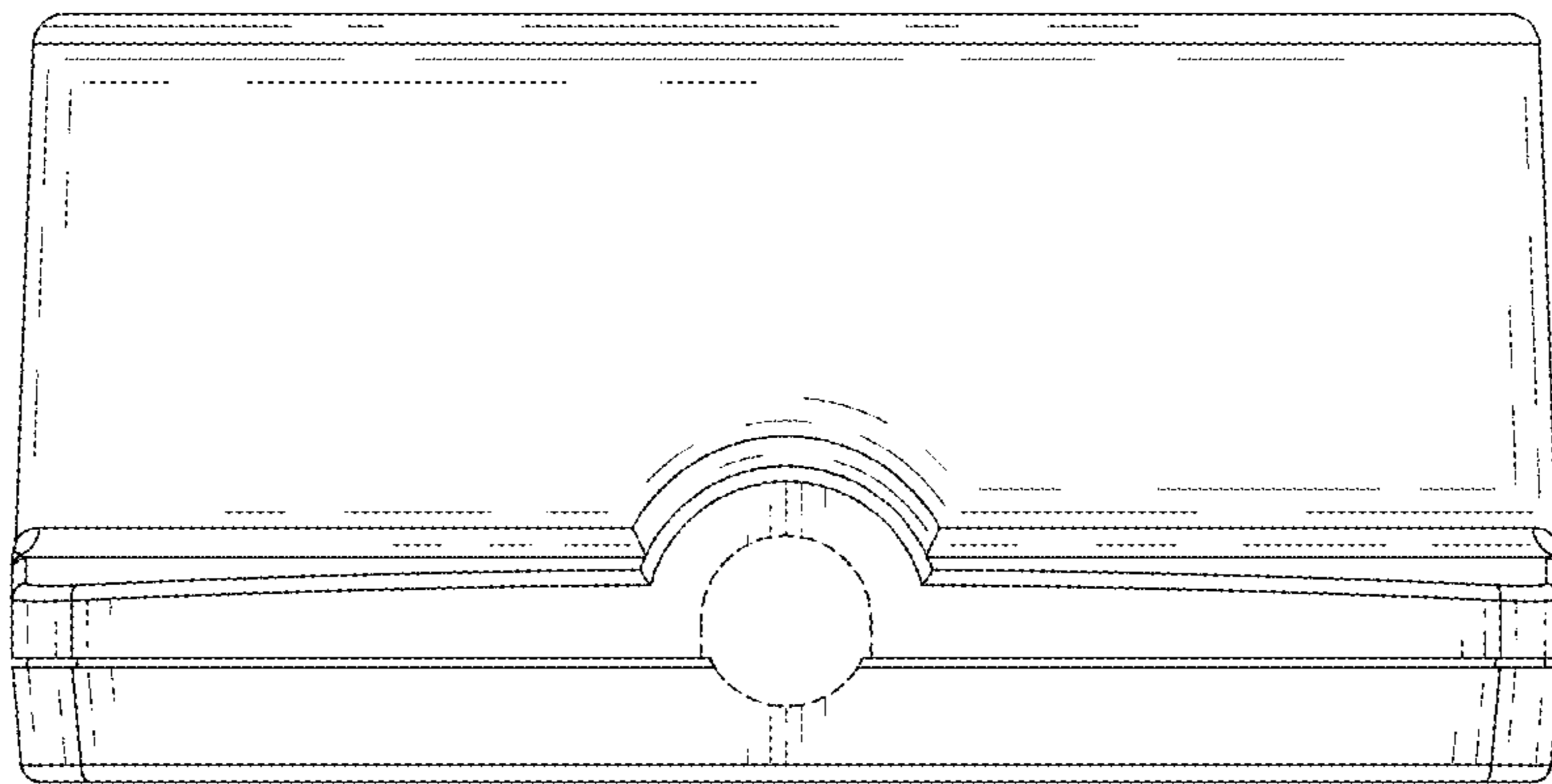


FIG.3

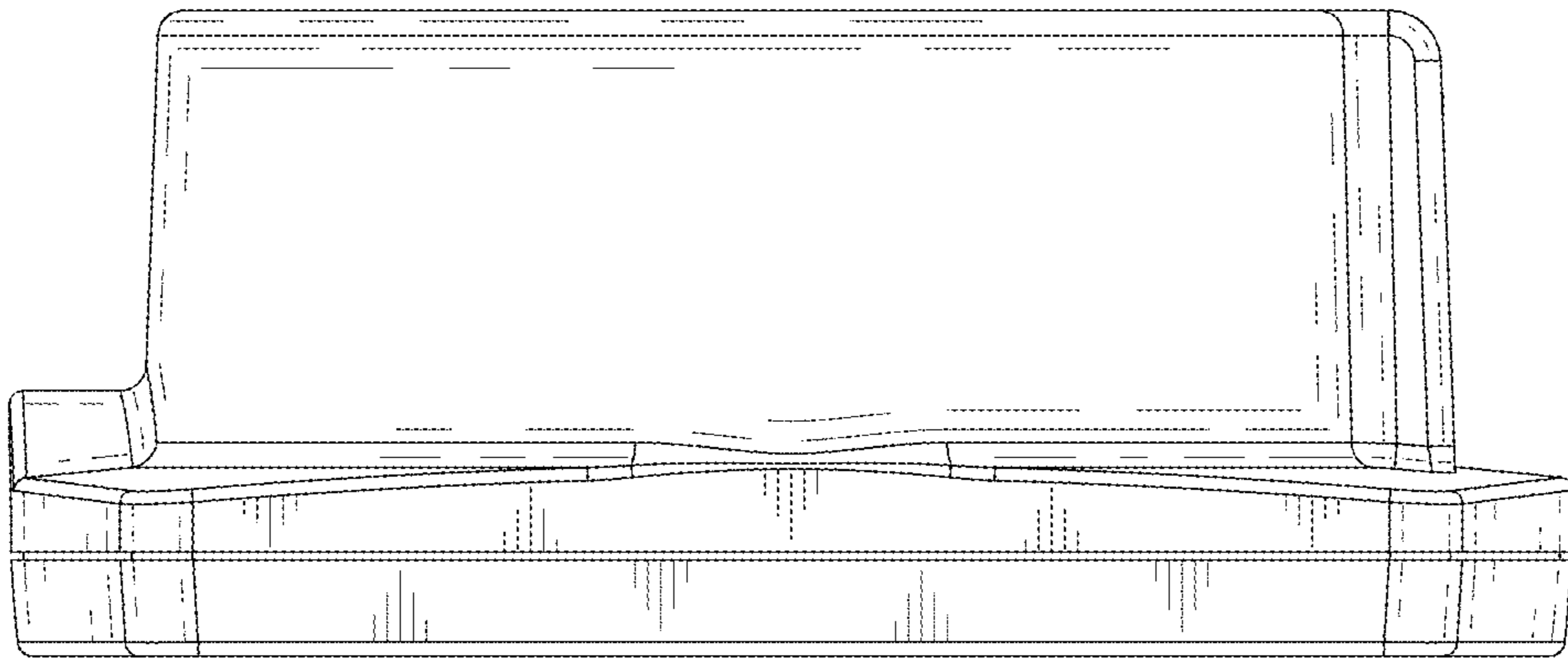


FIG.4

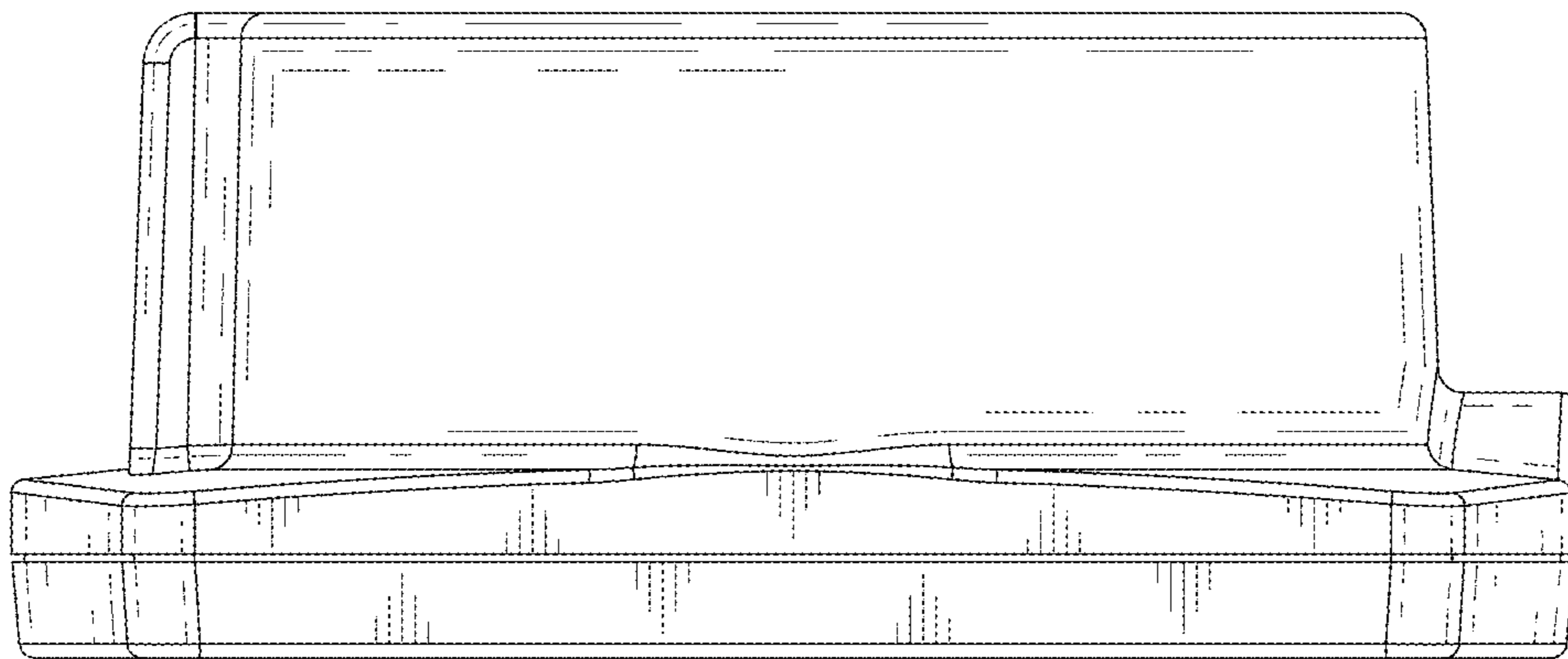


FIG. 5



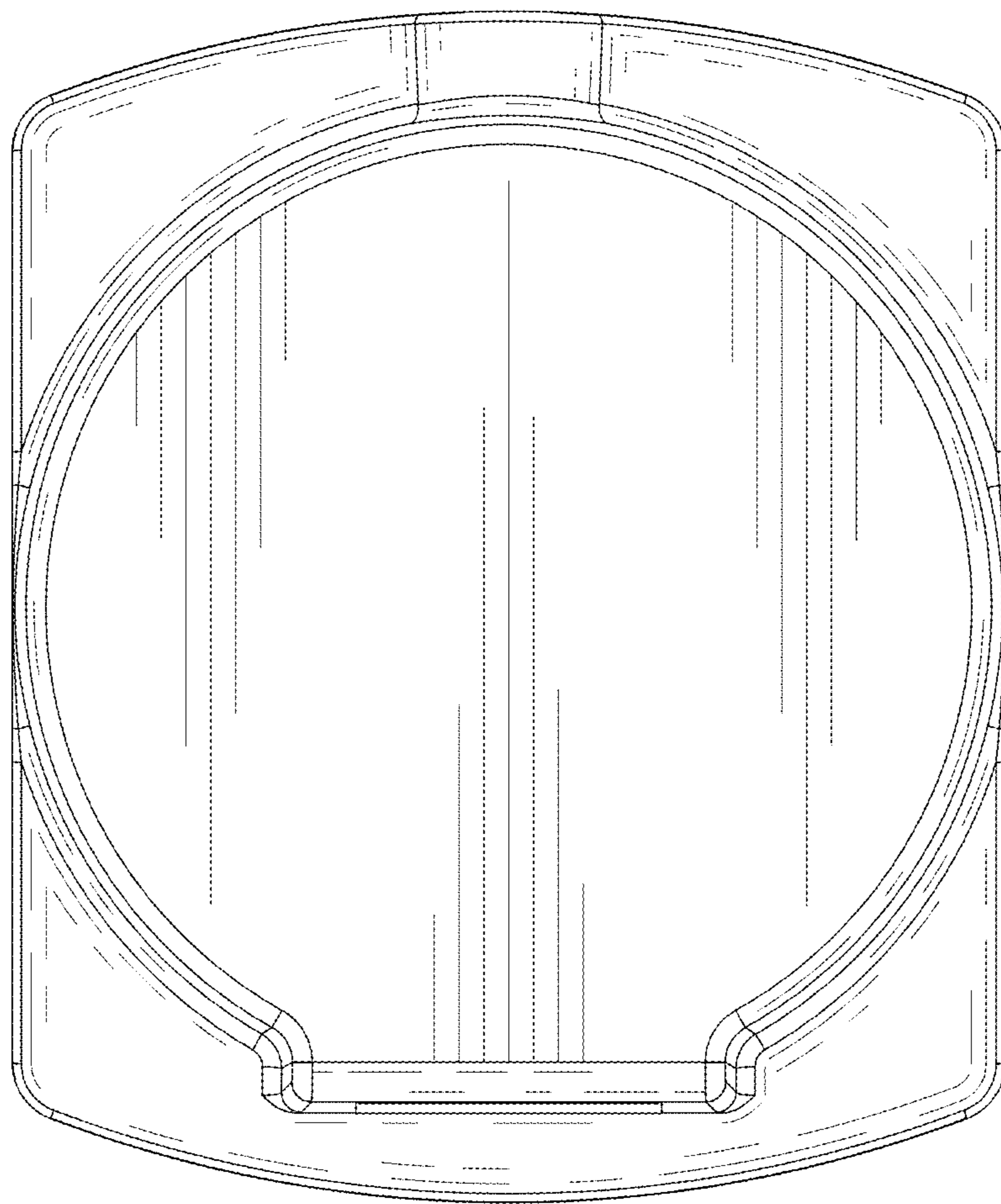


FIG.6

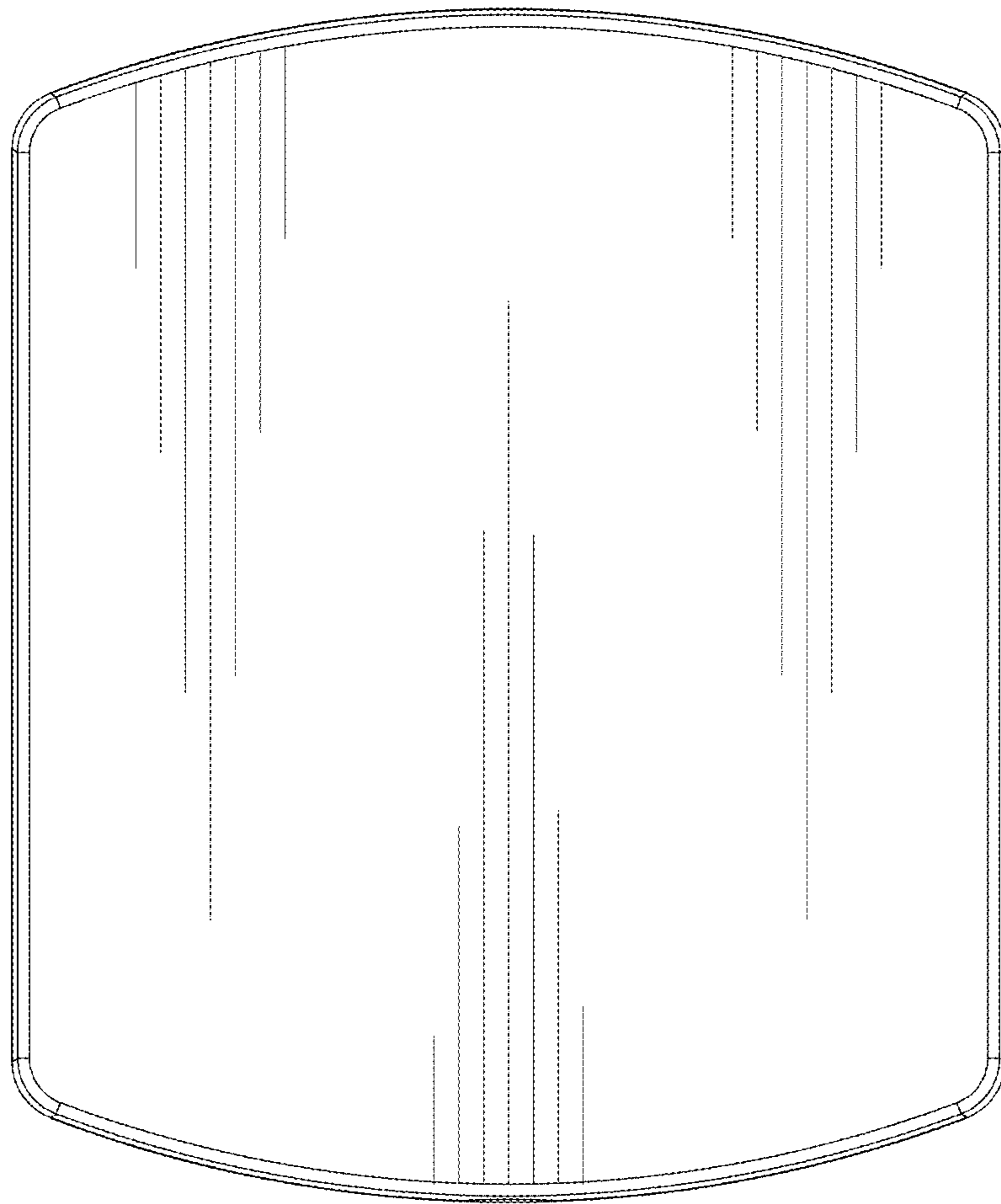


FIG. 7



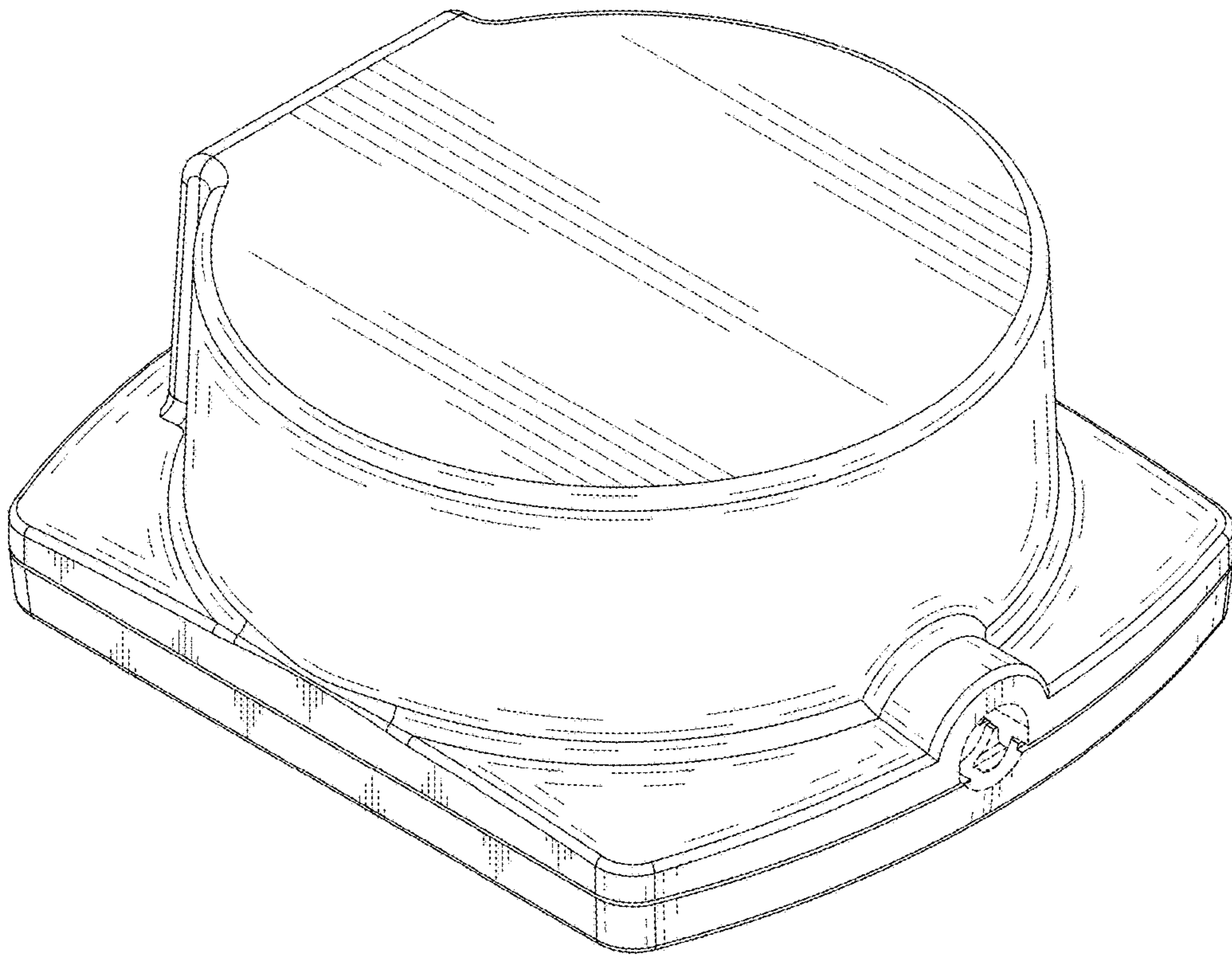


FIG.8

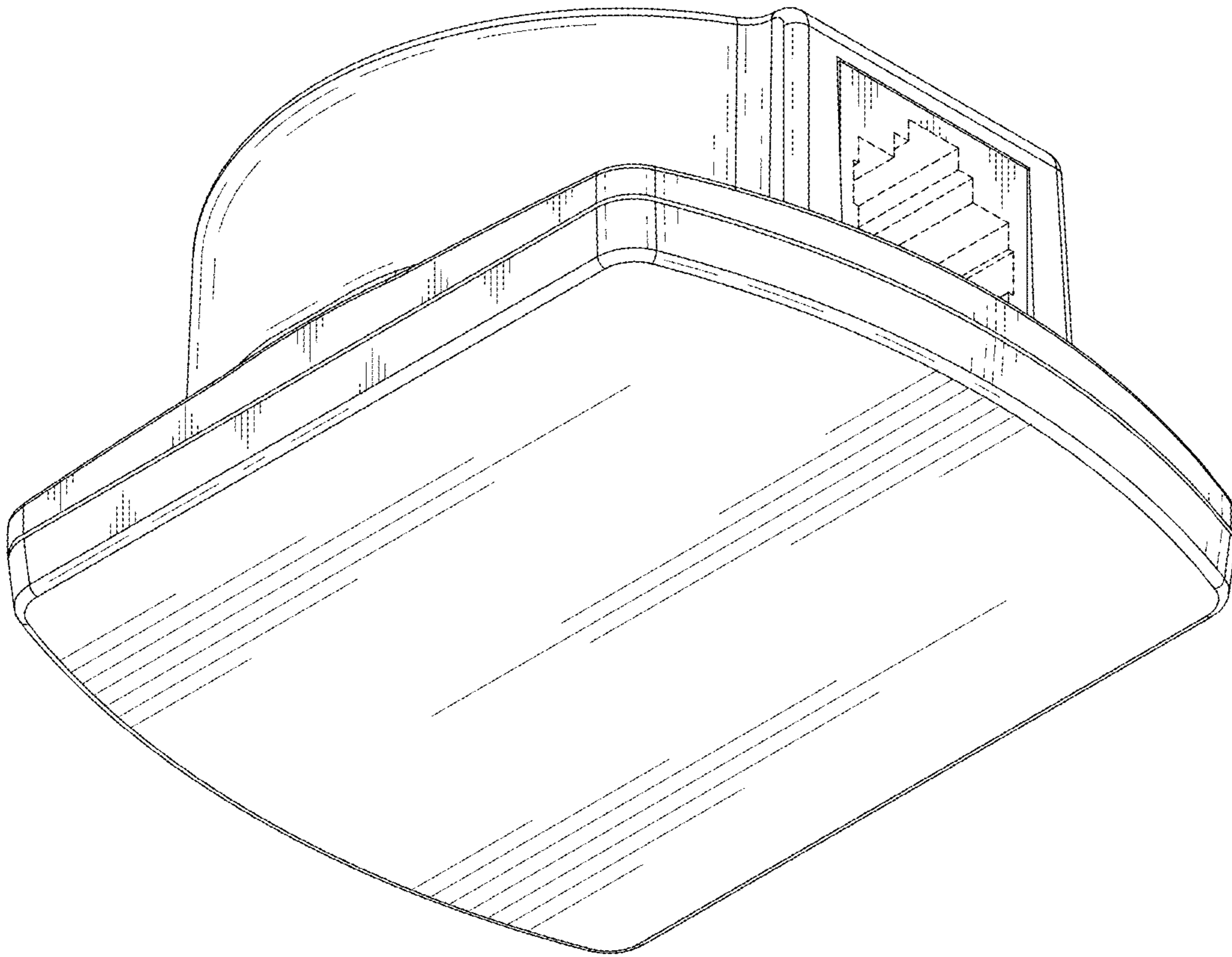


FIG.9

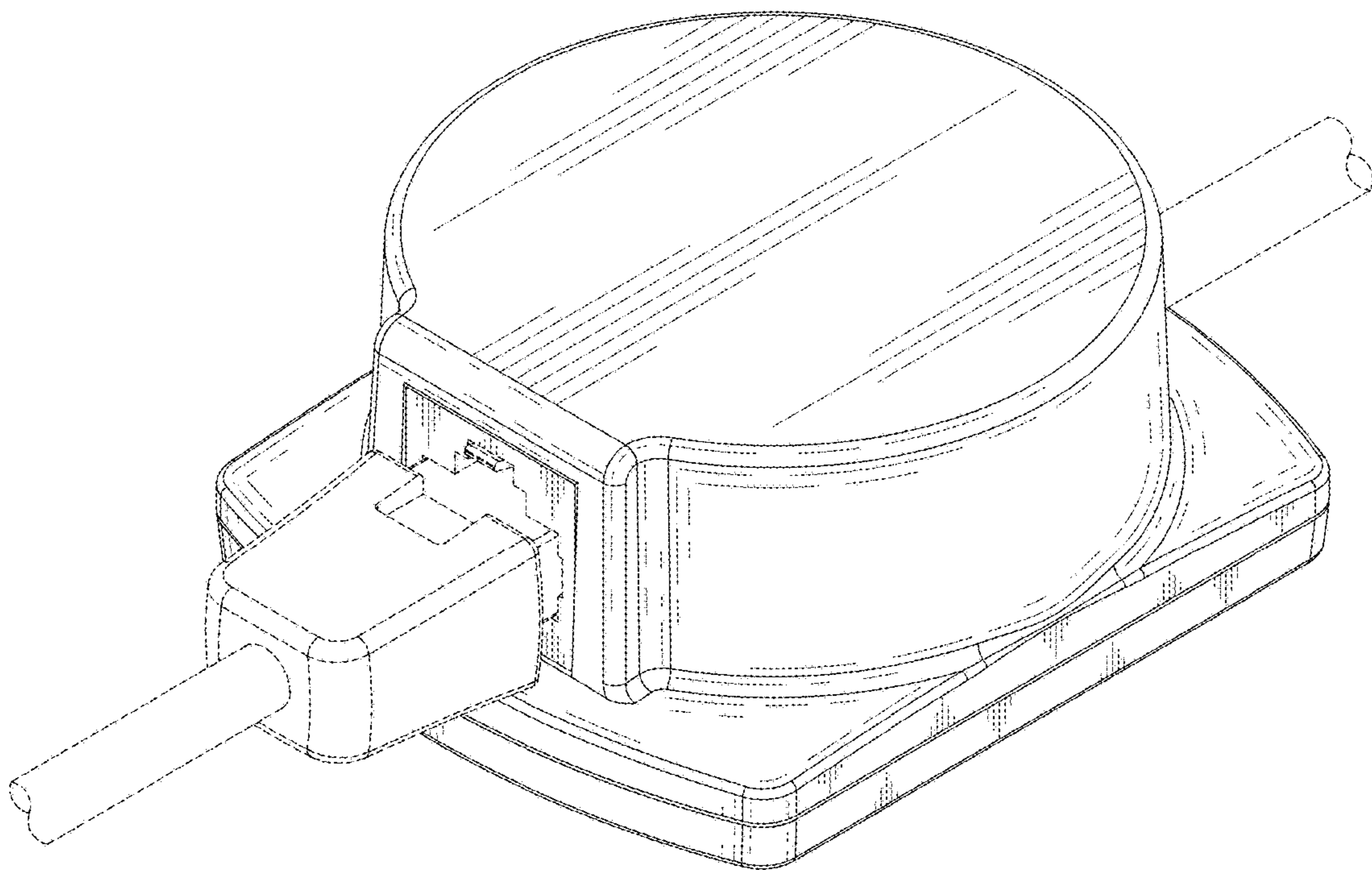


FIG.10