



US00D782343S

(12) **United States Design Patent** (10) **Patent No.:** **US D782,343 S**
Ryu et al. (45) **Date of Patent:** **** Mar. 28, 2017**

(54) **NAVIGATION DEVICE FOR A VEHICLE WITH AUDIO-VIDEO**

(71) Applicant: **LG ELECTRONICS INC.**, Seoul (KR)

(72) Inventors: **Daihyung Ryu**, Seoul (KR); **Youngkook Seo**, Seoul (KR); **Jinhee Kim**, Seoul (KR)

(73) Assignee: **LG ELECTRONICS INC.**, Seoul (KR)

(**) Term: **15 Years**

(21) Appl. No.: **29/546,303**

(22) Filed: **Nov. 20, 2015**

(30) **Foreign Application Priority Data**

May 20, 2015 (KR) 30-2015-0025678

(51) **LOC (10) Cl.** **10-04**

(52) **U.S. Cl.**
USPC **D10/65**

(58) **Field of Classification Search**
USPC D10/65
CPC G06F 17/50; G06F 17/2235; G06F 17/30867; G06F 17/30699; G06F 3/048; G06F 3/0481; G06F 3/04812; G06F 3/04815; G06F 3/04817; G06F 3/0482; G06F 3/0483; G06F 3/0484; G06F 3/04842; G06F 3/04845; G06F 3/04897; G06F 3/0485

See application file for complete search history.

(56) **References Cited**

U.S. PATENT DOCUMENTS

D606,428 S	*	12/2009	Vanderbloemen	D10/65
D715,167 S	*	10/2014	Busse	D10/65
D761,138 S	*	7/2016	Manabe	D10/65
D763,107 S	*	8/2016	Nielsen	D10/65

* cited by examiner

Primary Examiner — Antoine D Davis

(74) *Attorney, Agent, or Firm* — Birch, Stewart, Kolasch & Birch, LLP

(57) **CLAIM**

The ornamental design for a navigation device for a vehicle with audio-video, as shown and described.

DESCRIPTION

FIG. 1 is a front, right side, perspective view of a navigation device for a vehicle with audio-video showing our new design;

FIG. 2 is a front view thereof;

FIG. 3 is a rear view thereof;

FIG. 4 is a left side view thereof;

FIG. 5 is a right side view thereof;

FIG. 6 is a top view thereof; and,

FIG. 7 is a bottom view thereof.

1 Claim, 3 Drawing Sheets

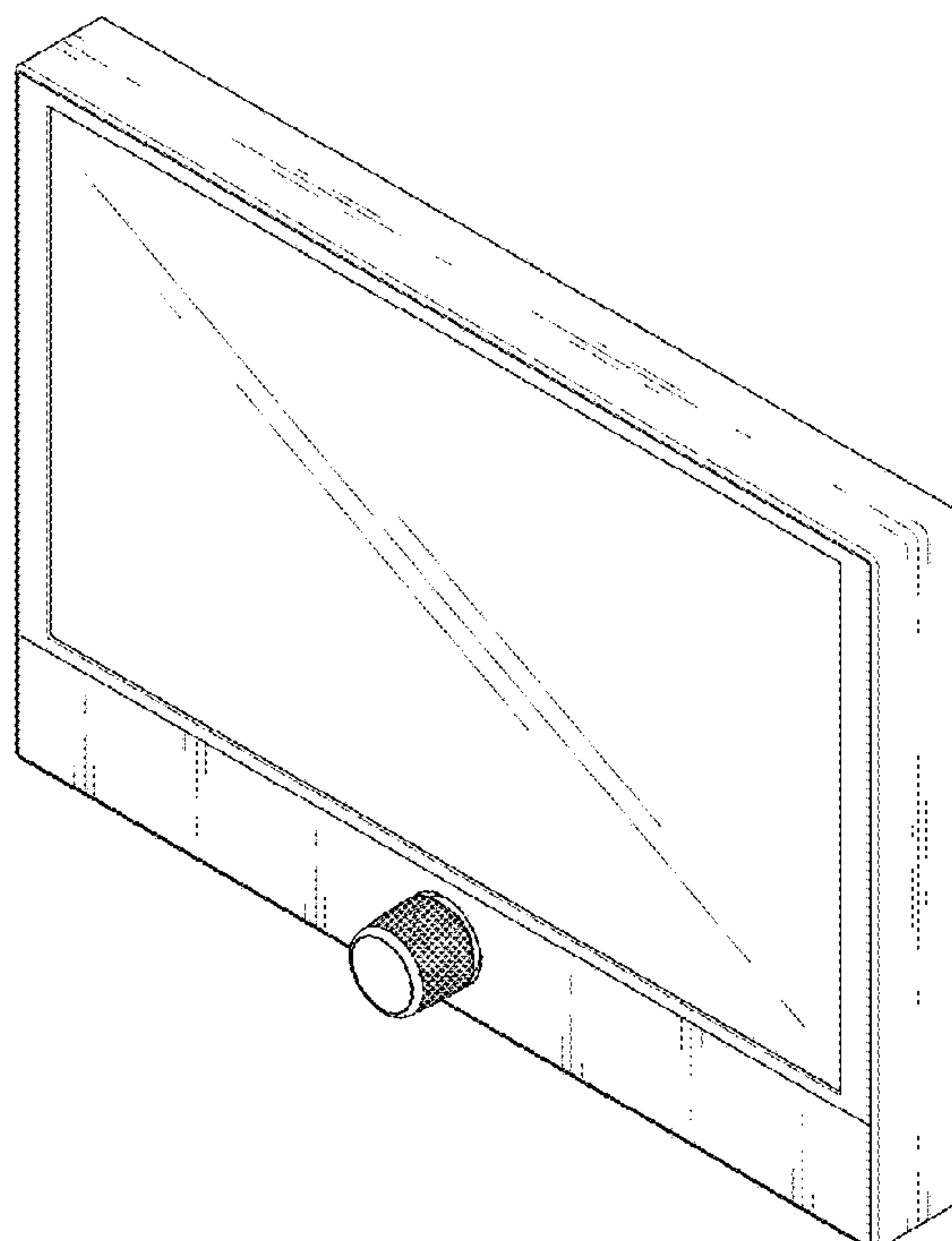


FIG. 1

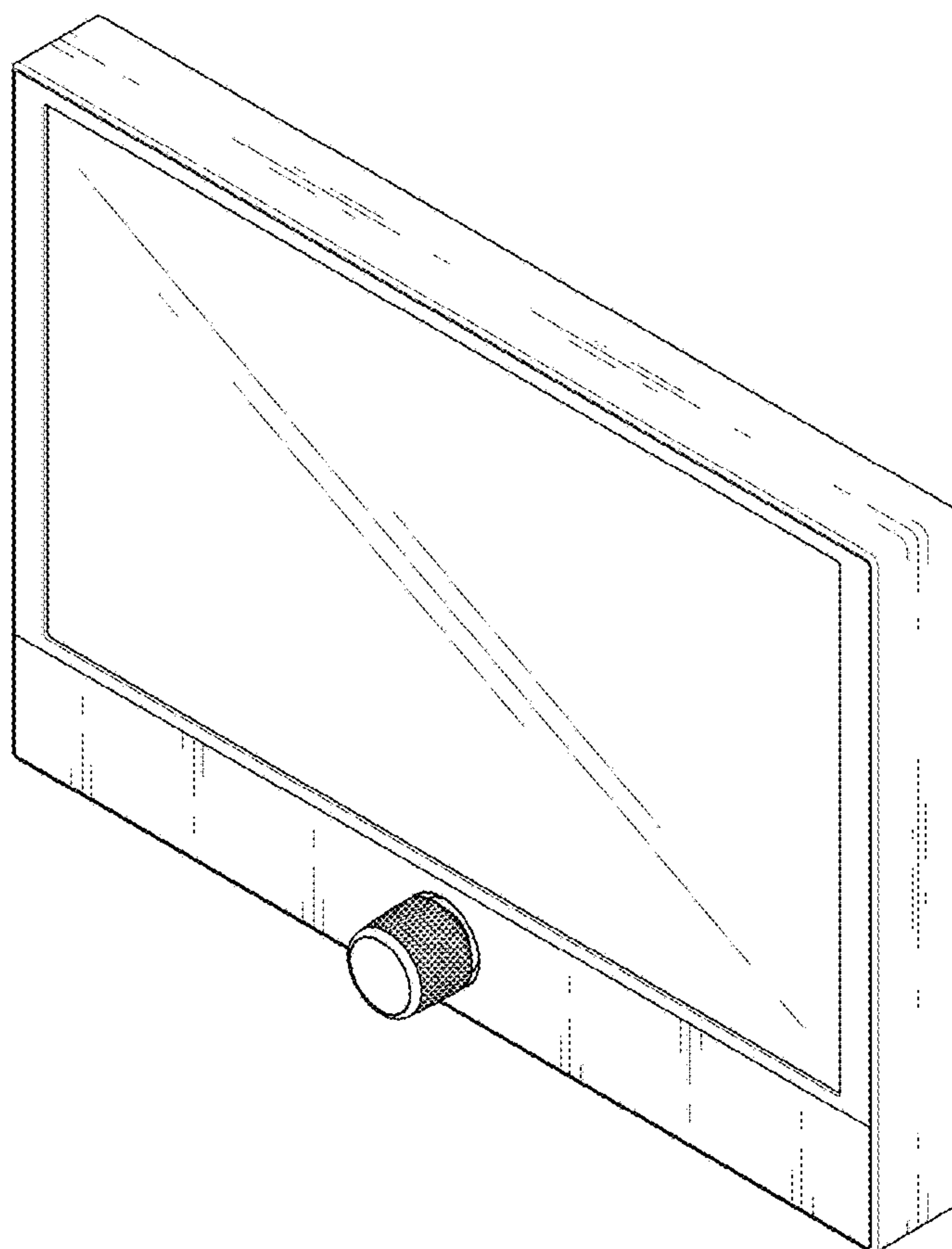


FIG. 2

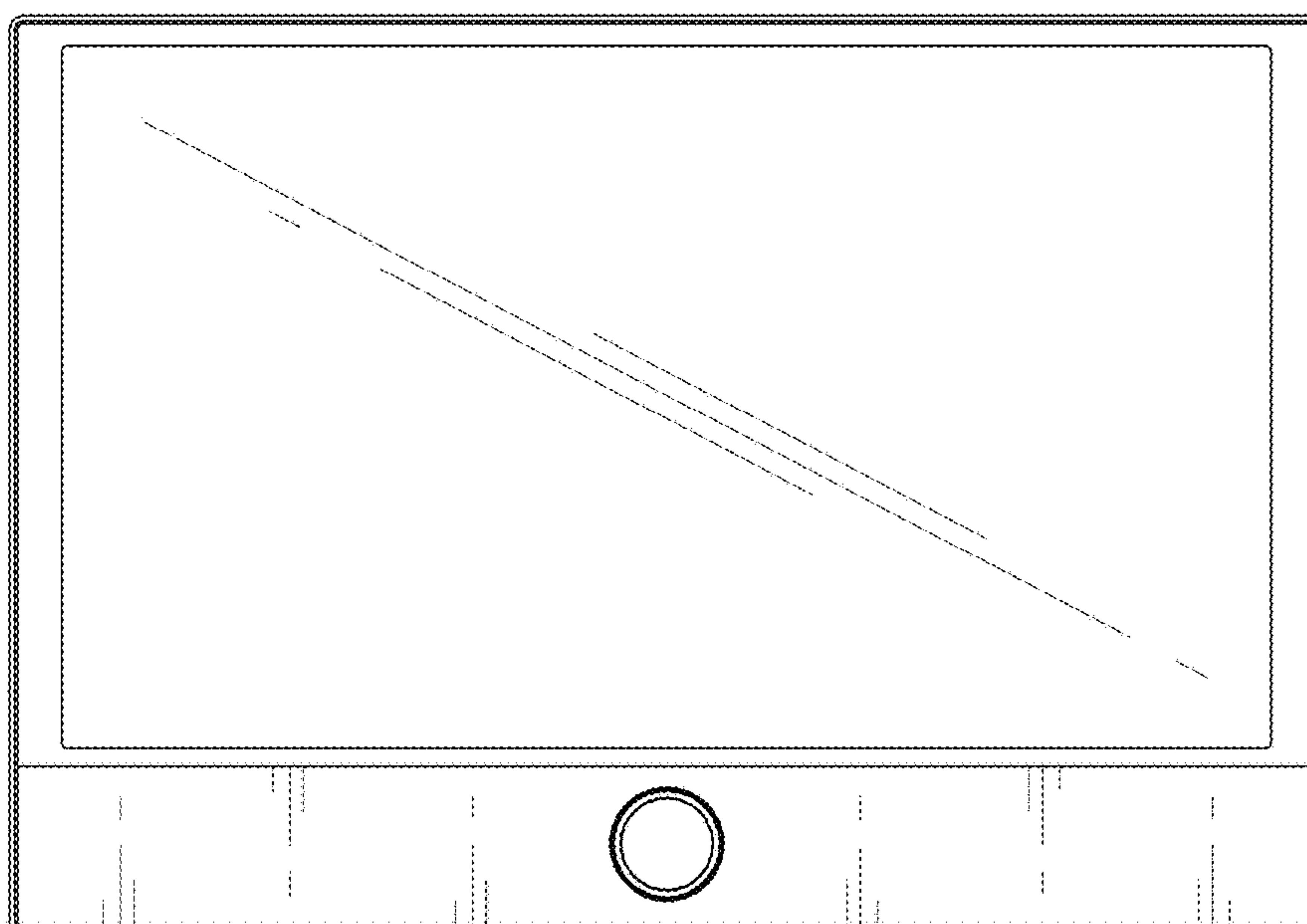


FIG. 3

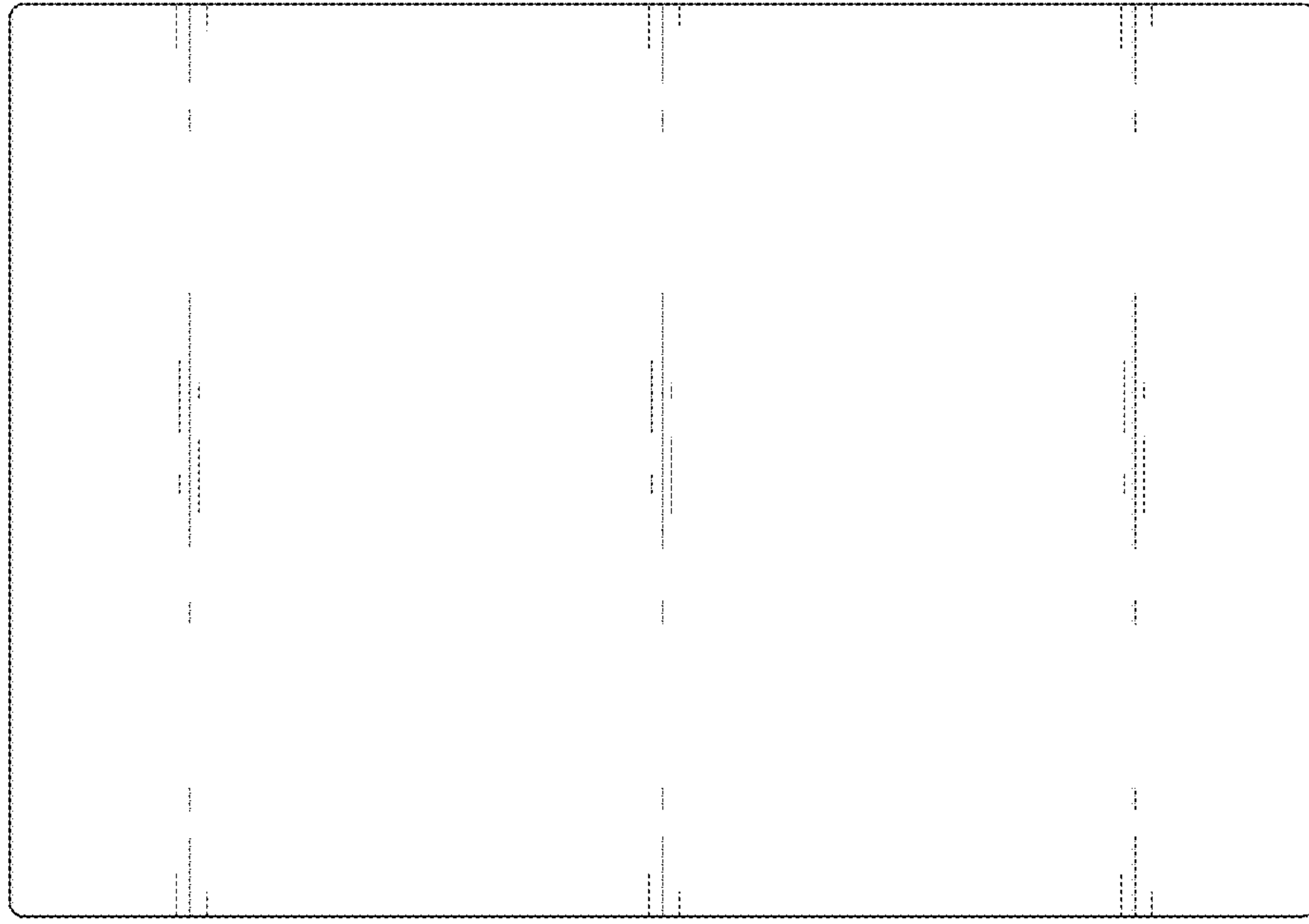


FIG. 4

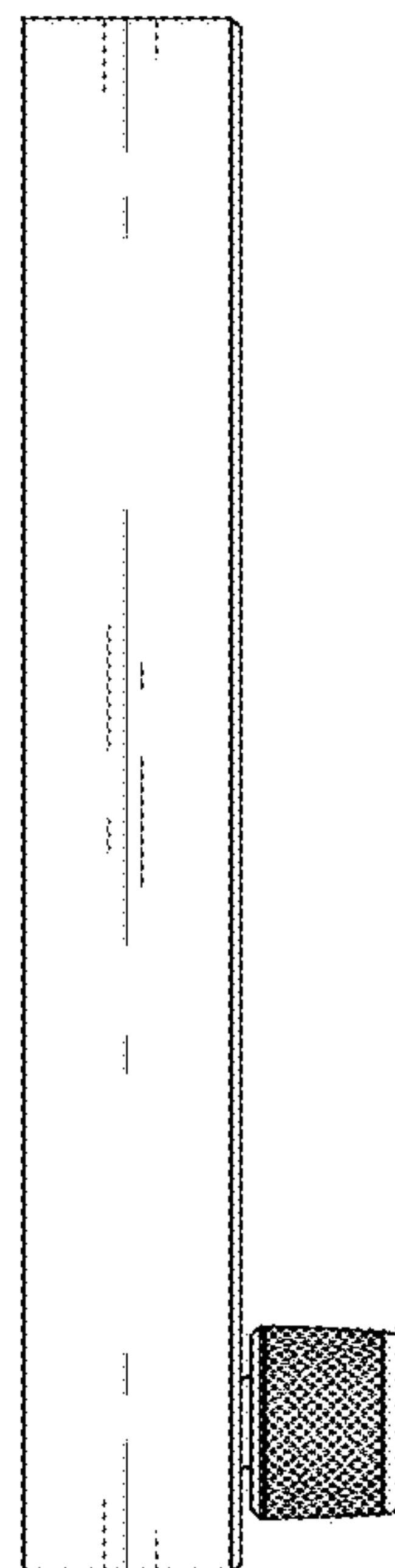


FIG. 5

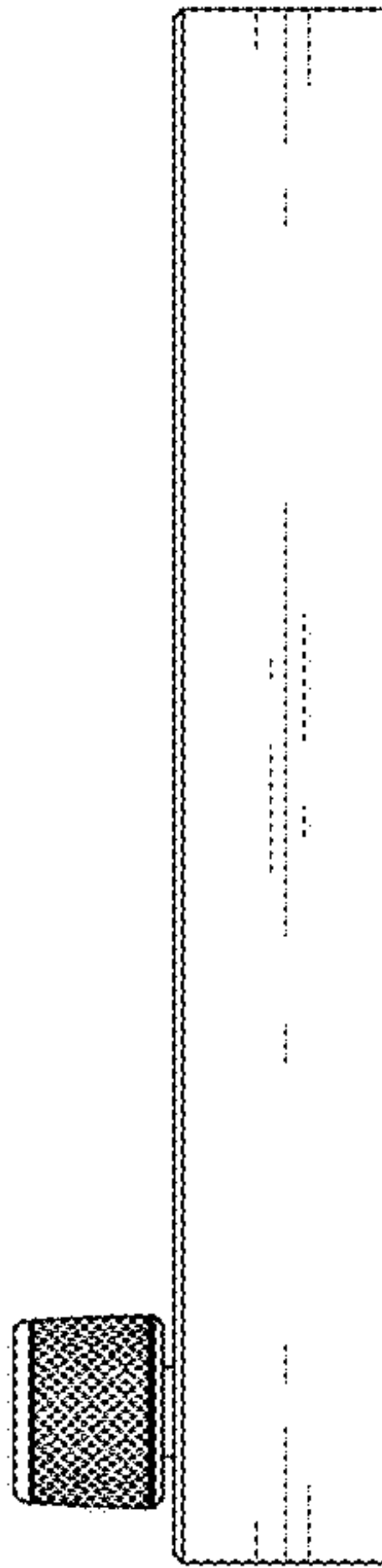


FIG. 6

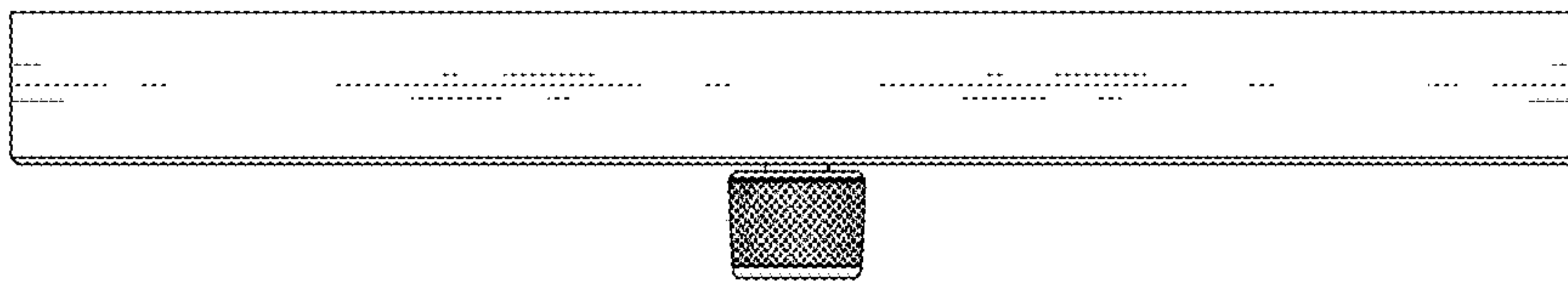


FIG. 7

