



US00D782339S

(12) **United States Design Patent** (10) **Patent No.:** **US D782,339 S**
White et al. (45) **Date of Patent:** **** Mar. 28, 2017**

(54) **WATCH**
(71) Applicant: **Nixon, Inc.**, Encinitas, CA (US)
(72) Inventors: **Tyson White**, Encinitas, CA (US); **Joe Babcock**, Encinitas, CA (US); **Franck Juvin**, Encinitas, CA (US)
(73) Assignee: **NIXON, INC.**, En, CA (US)
(**) Term: **15 Years**

D750,505 S * 3/2016 Cerrato D10/30
D769,761 S * 10/2016 van Buuren D10/126
2007/0147185 A1 * 6/2007 Hiranuma G04B 37/08
368/311
2013/0322218 A1 * 12/2013 Burkhardt G04C 3/146
368/22
2014/0233360 A1 * 8/2014 Koshoji G04B 37/106
368/290
2015/0043314 A1 * 2/2015 Hiranuma G04B 3/048
368/308
2015/0117165 A1 * 4/2015 Stotz G04F 8/006
368/228

(Continued)

(21) Appl. No.: **29/547,572**
(22) Filed: **Dec. 4, 2015**
(51) **LOC (10) Cl.** **10-02**
(52) **U.S. Cl.**
USPC **D10/39**
(58) **Field of Classification Search**
USPC D10/1-29, 30-39, 122-139
CPC G04B 37/0058; G04B 37/0008; G04B
37/081; G04B 37/18; G04B 37/082;
G04B 19/24; G04B 19/065; G04B 19/06;
G04B 19/12; G04B 19/10; G04B 19/30;
G04B 19/268; G04B 19/26; G04G 17/08;
G04G 17/083

FOREIGN PATENT DOCUMENTS

CH EP 1701227 A1 * 9/2006 G04B 19/268
DE EP 2804057 A1 * 11/2014 G04B 19/04

Primary Examiner — Sheryl Lane
Assistant Examiner — Samantha Wood
(74) *Attorney, Agent, or Firm* — Torrey Pines Law
Group, PC; Kevin Buckley

(57) **CLAIM**

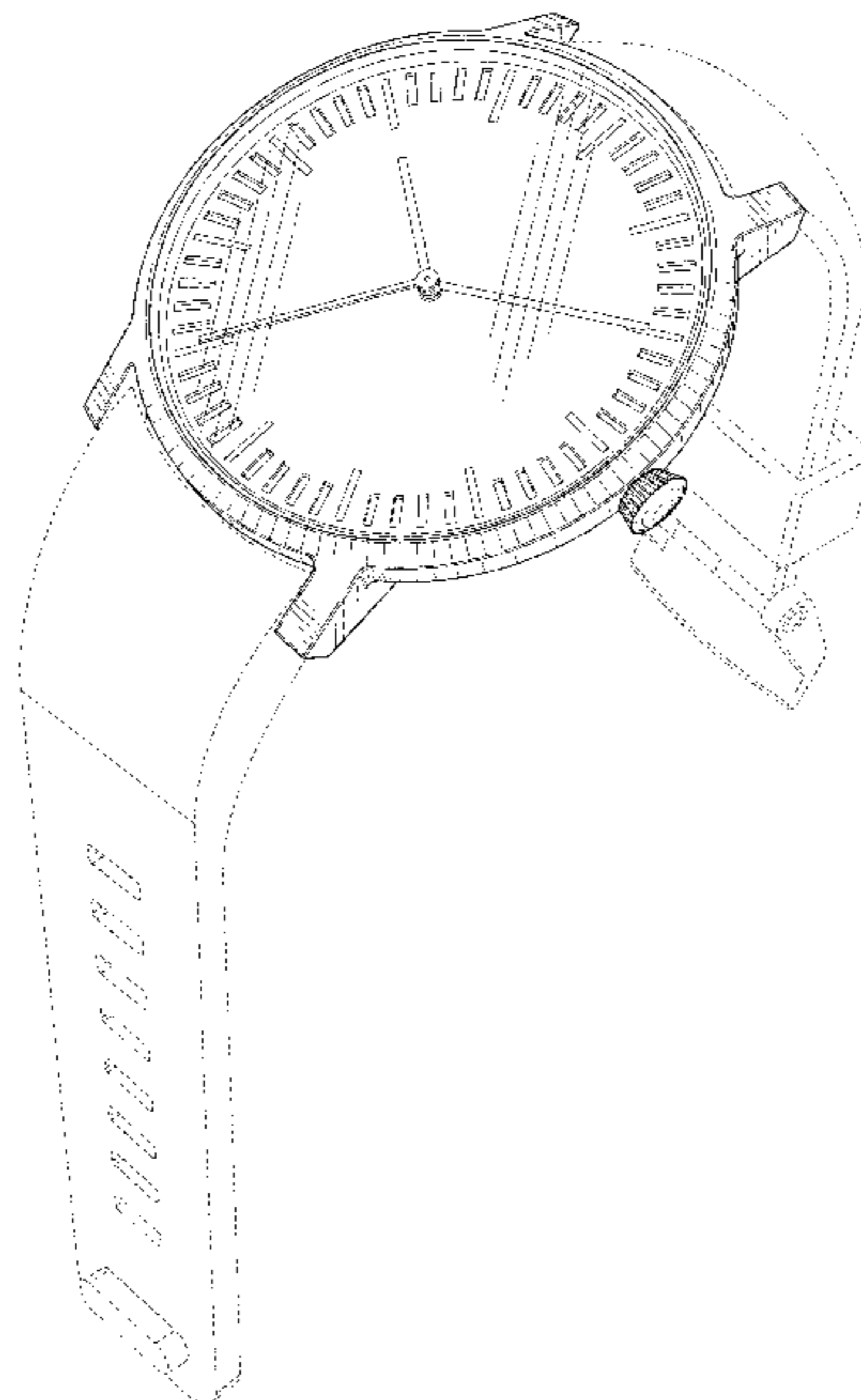
What is claimed is the ornamental design for a watch, as shown and described.

DESCRIPTION

FIG. 1 is a front right perspective view of a watch showing our new design;
FIG. 2 is a front elevated view thereof;
FIG. 3 is a back elevated view thereof;
FIG. 4 is a left side view thereof;
FIG. 5 is a right side view thereof;
FIG. 6 is a top view thereof; and,
FIG. 7 is a bottom view thereof.
The broken line showing of the watch band is included for the purpose of illustrating the environmental structure and forms no part of the claimed design.

(56) **References Cited**
U.S. PATENT DOCUMENTS
2,385,234 A * 9/1945 Schmitz G04B 3/045
368/288
D219,993 S * 2/1971 Gsell D10/33
D285,908 S * 9/1986 Maron D10/30
D467,820 S * 12/2002 Berliat D10/39
D473,802 S * 4/2003 Berliat D10/39
D697,823 S * 1/2014 Mijatovic D10/32
D740,696 S * 10/2015 Monachon D10/126
D743,827 S * 11/2015 Prince D10/122
D746,713 S * 1/2016 Cerrato D10/126

1 Claim, 5 Drawing Sheets



(56)

References Cited

U.S. PATENT DOCUMENTS

2015/0220066 A1* 8/2015 Fujisawa G04R 60/12
368/278

* cited by examiner

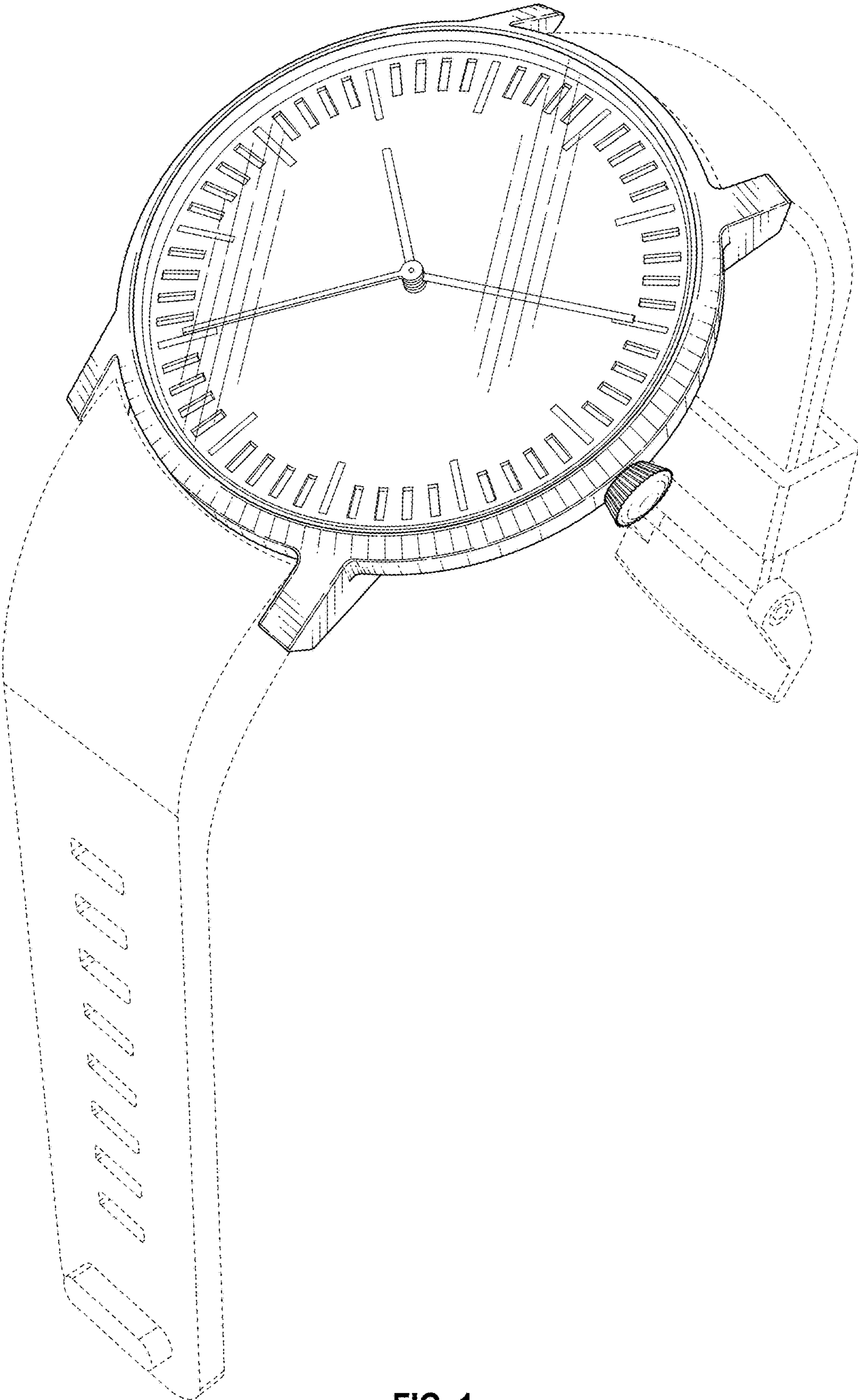


FIG. 1

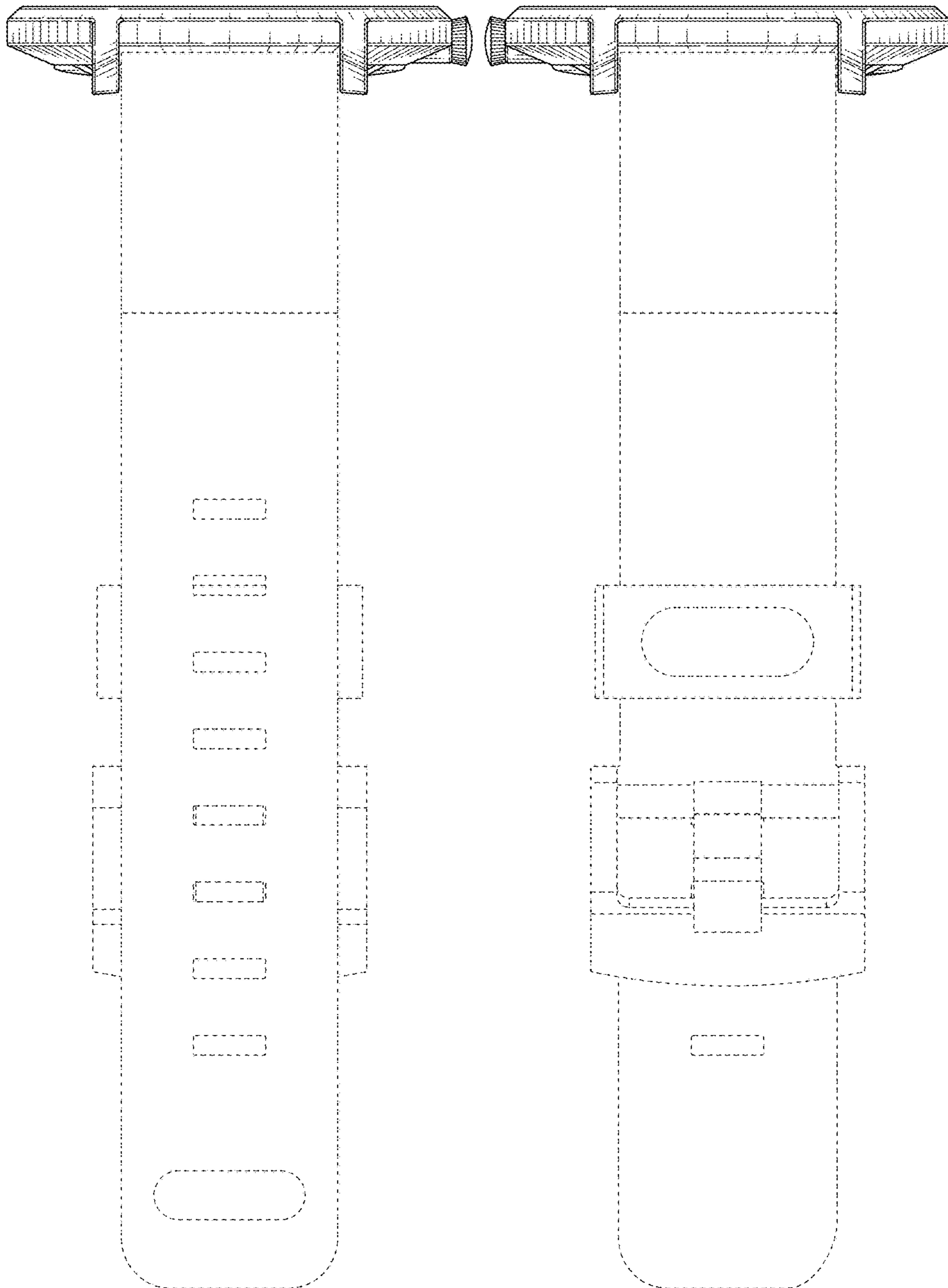


FIG. 2

FIG. 3

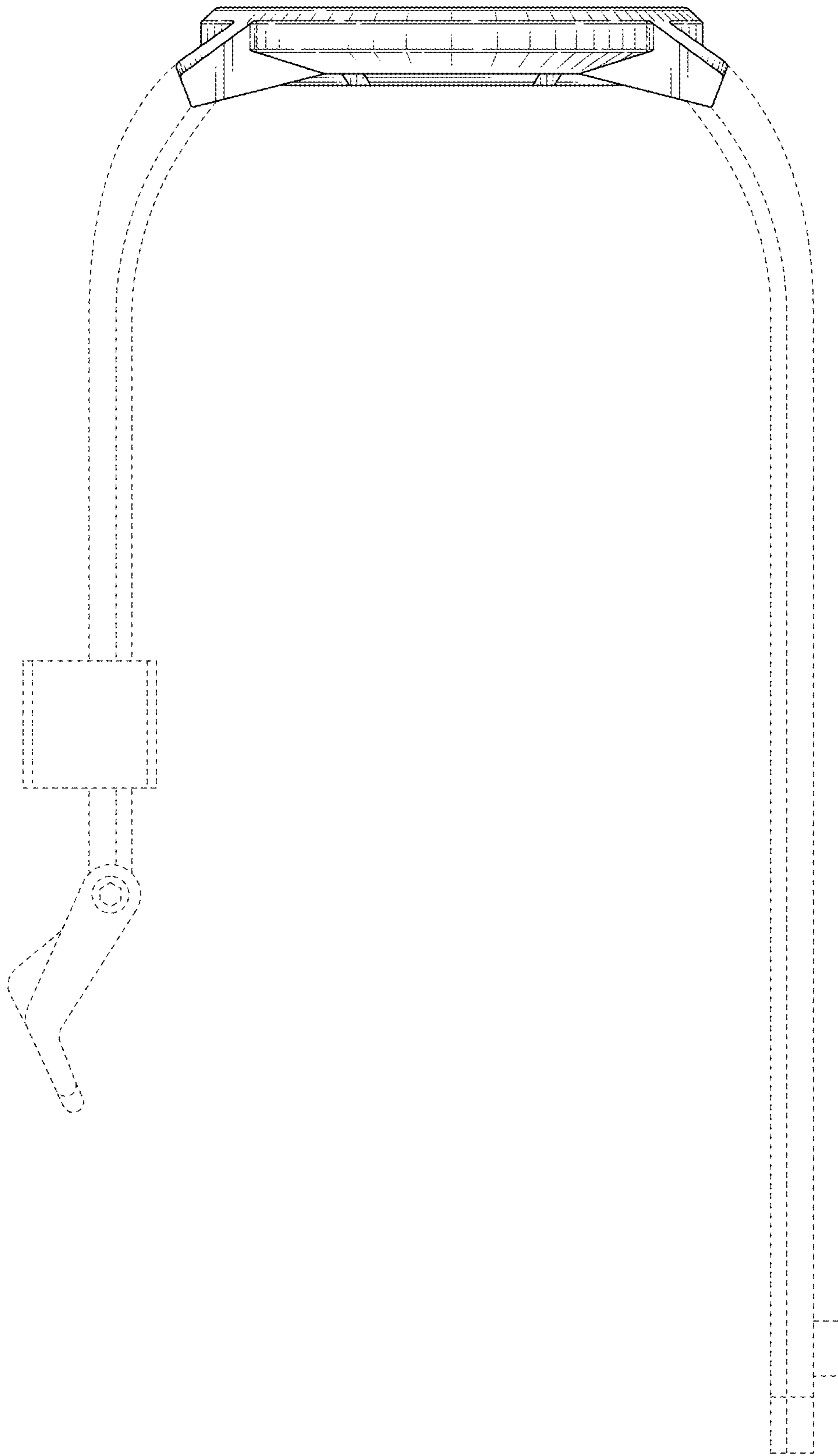


FIG. 4

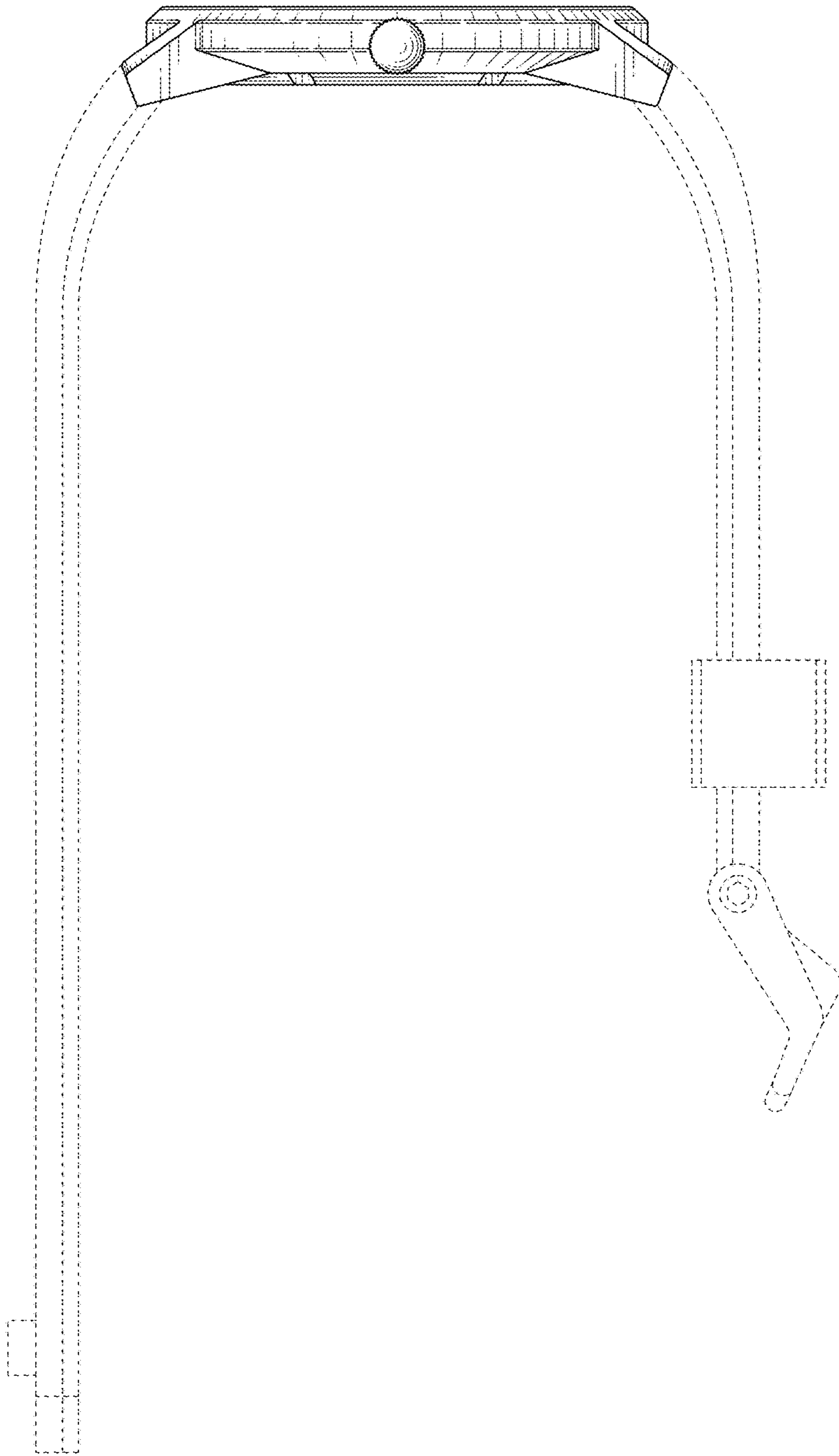


FIG. 5

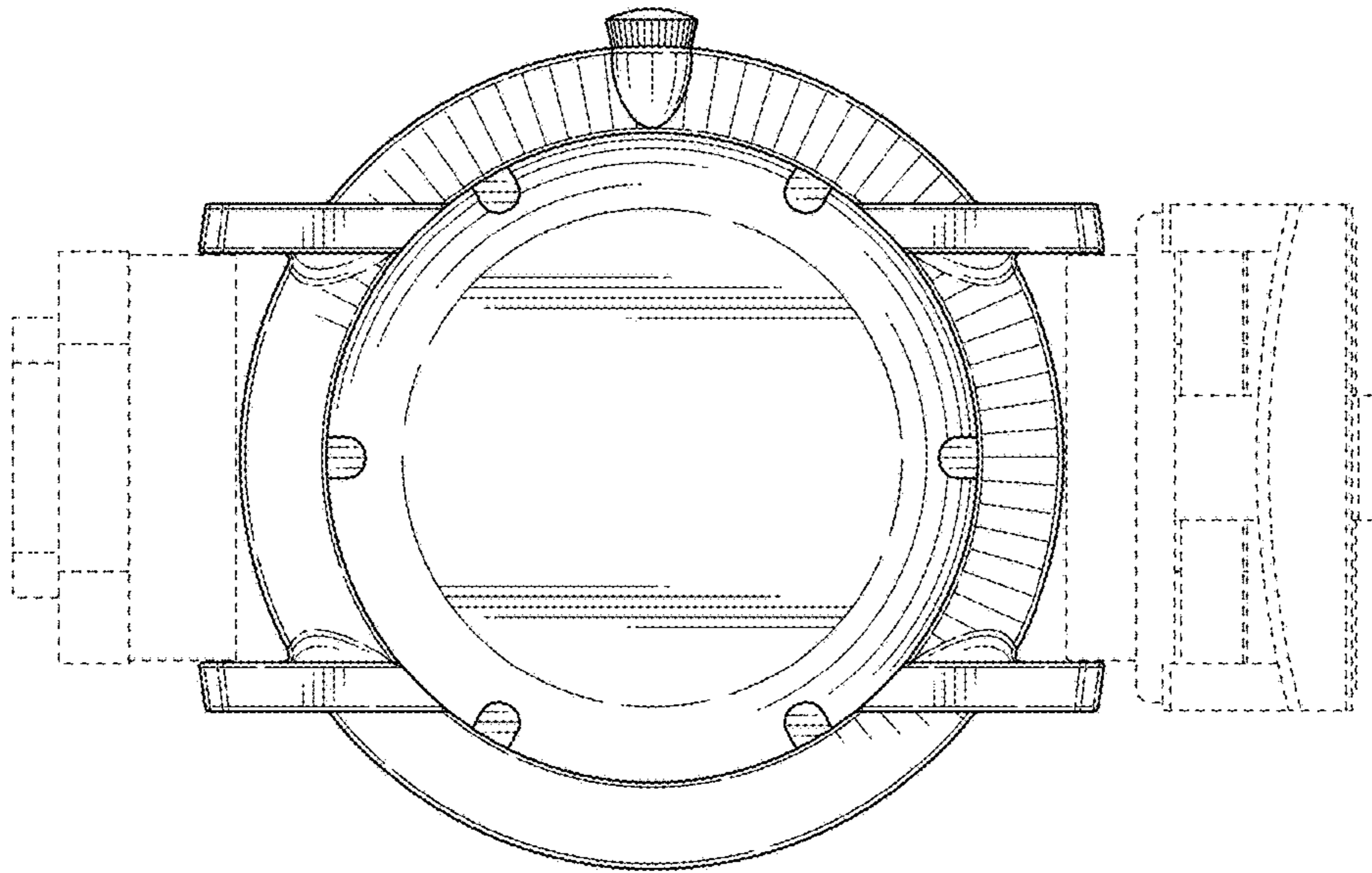


FIG. 6

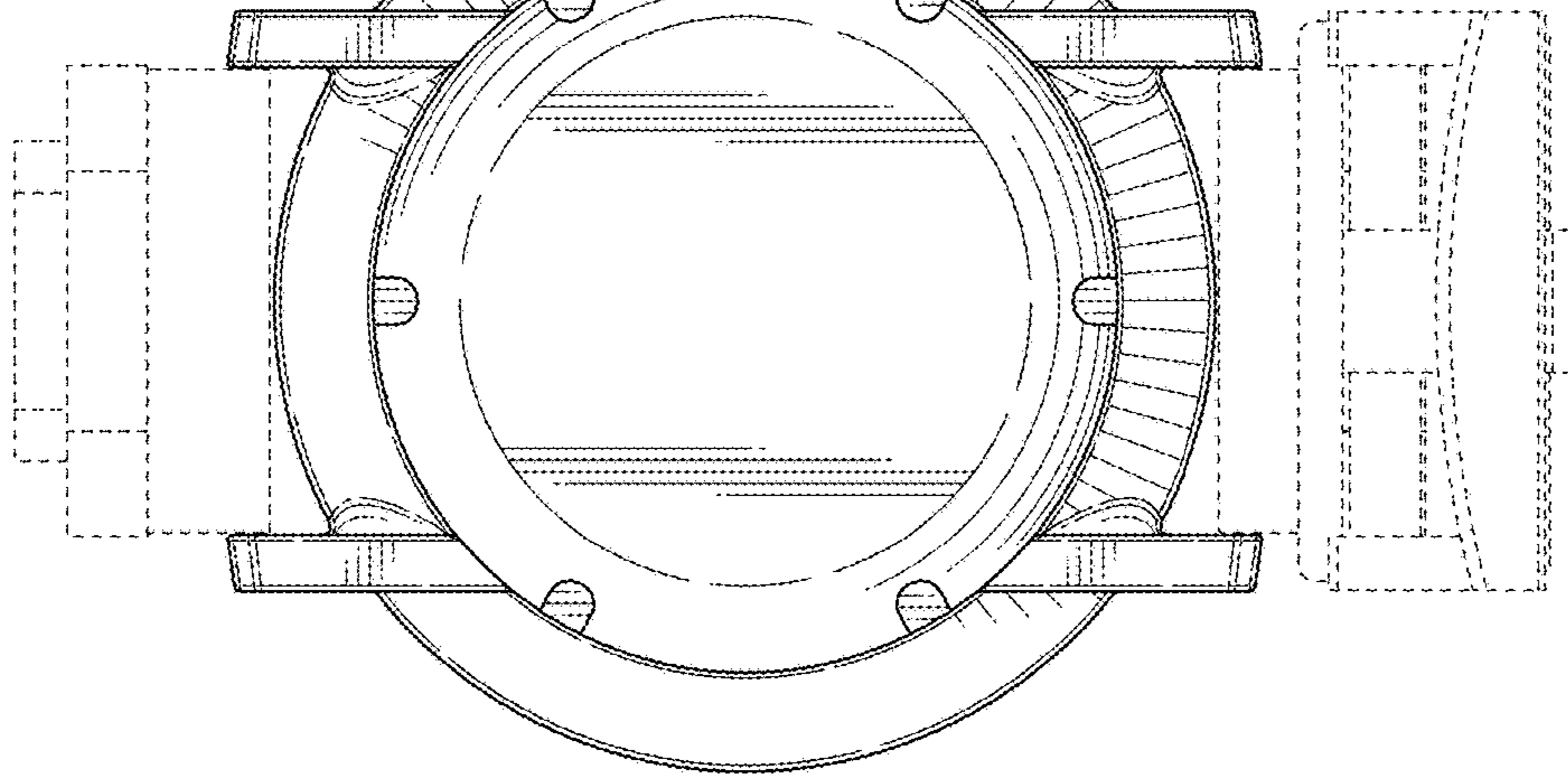


FIG. 7